



US00D944344S

(12) **United States Design Patent** (10) **Patent No.:** **US D944,344 S**
Adams (45) **Date of Patent:** **** Feb. 22, 2022**

(54) **FOOT FOR A WEIGHT RACK**
(71) Applicant: **Coulter Ventures, LLC.**, Columbus, OH (US)
(72) Inventor: **Bryan Adams**, Columbus, OH (US)
(73) Assignee: **Coulter Ventures, LLC.**, Columbus, OH (US)
(**) Term: **15 Years**
(21) Appl. No.: **29/724,527**
(22) Filed: **Feb. 17, 2020**
(51) **LOC (13) Cl.** **21-02**
(52) **U.S. Cl.**
USPC **D21/686**
(58) **Field of Classification Search**
USPC D21/686, 682, 694, 662, 665, 673, 690, D21/691, 798, 826, 676, 681, 680, 688, D21/663, 679, 674; D25/62, 66, 68, 119, D25/126, 136, 134, 133, 144, 156, 159, D25/148, 109; D6/329, 536, 553; D8/323, 354, 330; D12/203, 130, 406; D24/188
See application file for complete search history.

(56) **References Cited**
U.S. PATENT DOCUMENTS
2,067,403 A 1/1937 Lea
4,527,797 A 7/1985 Slade, Jr. et al.
4,666,154 A 5/1987 Lipscomb et al.
D291,338 S 8/1987 Ringel et al.
4,907,798 A 3/1990 Burchatz
5,203,752 A 4/1993 Frankel
5,273,506 A 12/1993 Dawson, Jr.
5,302,164 A * 4/1994 Austin A63B 21/0023 482/39
5,372,556 A 12/1994 Ropp
5,395,296 A 3/1995 Webster et al.
D358,623 S 5/1995 Macasieb

5,411,453 A 5/1995 Wilson
5,802,790 A * 9/1998 Lamont E04F 19/0436 52/272
5,928,119 A 7/1999 Dinkel
(Continued)

OTHER PUBLICATIONS

Product listing for Rogue RM-6 Monster Rack from <https://web.archive.org/web/20180725062357/https://www.roguefitness.com/rogue-rm-6-bolt-together-monster-rack-2-0>, dated Jul. 25, 2018.
(Continued)

Primary Examiner — Khawaja Anwar
Assistant Examiner — Julice Seung Eun Oum
(74) *Attorney, Agent, or Firm* — Banner & Witcoff, Ltd.

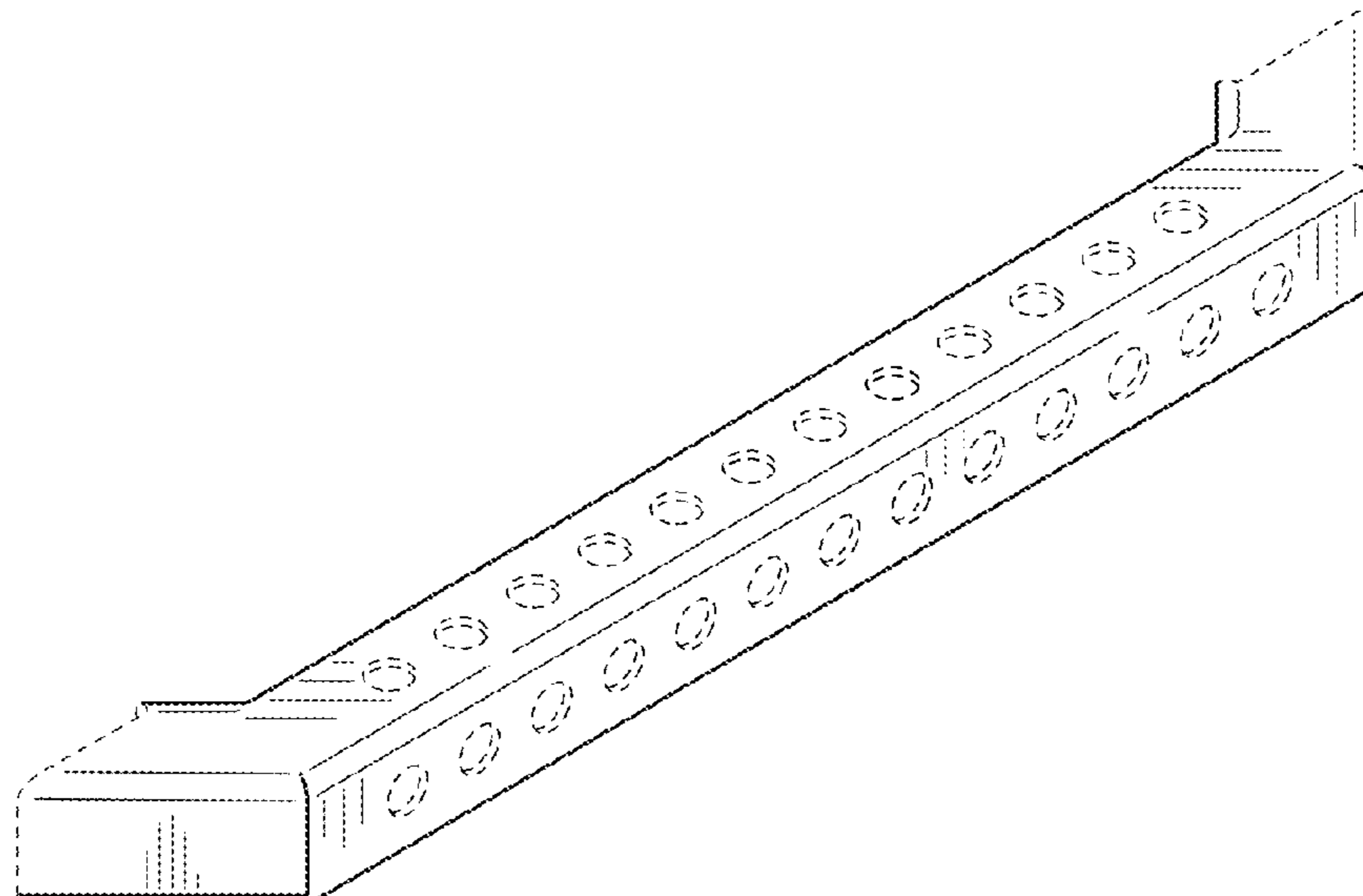
(57) **CLAIM**

The ornamental design for a foot for a weight rack, as shown and described.

DESCRIPTION

FIG. 1 is a top, front, right perspective view of a foot for a weight rack showing my new design;
FIG. 2 is a front view thereof;
FIG. 3 is a rear view thereof;
FIG. 4 is a right side view thereof;
FIG. 5 is a left side view thereof;
FIG. 6 is a top view thereof;
FIG. 7 is a bottom view thereof; and,
FIG. 8 is a top, front, right perspective view of the foot for a weight rack in FIGS. 1-7 showing a weight rack as additional example environment.
The broken lines immediately adjacent to the shaded areas define the bounds of the claimed design and form no part thereof. The broken lines depicting the weight rack in FIG. 8 show features of example environment that form no part of the claimed design.

1 Claim, 5 Drawing Sheets



(56)

References Cited

U.S. PATENT DOCUMENTS

6,220,988 B1 4/2001 Williams
 6,685,601 B1 2/2004 Knapp
 D495,381 S 8/2004 Ceppo
 D496,248 S 9/2004 Liebendorfer
 7,070,546 B1 7/2006 Grasso
 D529,633 S * 10/2006 Zarb D25/136
 D550,790 S 9/2007 Staten
 D550,791 S 9/2007 Rogers et al.
 D550,792 S 9/2007 Rogers et al.
 D550,793 S 9/2007 Rogers et al.
 D551,306 S 9/2007 Rogers et al.
 D603,976 S * 11/2009 Pearce D25/114
 D629,472 S 12/2010 Rhodes
 D635,206 S 3/2011 Henniger
 D636,038 S 4/2011 Henniger
 D636,040 S 4/2011 Henniger
 8,016,686 B2 9/2011 Liggett et al.
 RE43,397 E 5/2012 Rogers et al.
 D664,622 S 7/2012 Orsulak et al.
 D664,624 S 7/2012 Orsulak et al.
 D672,419 S 12/2012 Stroit
 8,328,698 B1 12/2012 Webber et al.
 D697,988 S 1/2014 Januszek
 D698,402 S 1/2014 Saletta
 D699,805 S 2/2014 Green
 8,876,673 B2 11/2014 Inglut
 8,998,781 B1 4/2015 Nelson
 D734,410 S 7/2015 Childs et al.
 9,095,742 B2 8/2015 Henniger et al.
 D742,979 S 11/2015 Post
 9,192,799 B2 11/2015 Alenaddaf
 9,278,246 B2 3/2016 Tambornino et al.
 9,295,871 B2 3/2016 Luedeka
 D762,789 S 8/2016 Gilchrist
 D767,692 S 9/2016 Kuka
 D767,693 S 9/2016 Kuka
 D768,791 S 10/2016 Beaver et al.
 9,492,701 B1 11/2016 Bognatz
 D781,453 S 3/2017 Gomez
 9,610,490 B2 4/2017 Tambornino et al.
 D788,945 S 6/2017 Meyer
 D794,144 S 8/2017 Abelbeck et al.
 D815,305 S 4/2018 Alvarado et al.
 D818,547 S 5/2018 Meredith et al.
 D836,172 S 12/2018 Kuka
 10,226,661 B2 3/2019 Henniger et al.
 D852,291 S 6/2019 Meredith et al.
 10,307,634 B2 6/2019 Young
 D852,907 S 7/2019 Sergakis
 D883,406 S 5/2020 Sergakis
 D888,850 S 6/2020 Smith, Jr.
 2005/0032612 A1 * 2/2005 Keiser A63B 21/0087
 482/93
 2007/0032357 A1 2/2007 Piane
 2007/0155594 A1 7/2007 Rogers et al.
 2007/0155595 A1 7/2007 Rogers et al.
 2007/0155596 A1 7/2007 Rogers et al.
 2012/0142506 A1 6/2012 Hetrick et al.
 2012/0202656 A1 * 8/2012 Dorsay A63B 21/00069
 482/121
 2012/0329613 A1 12/2012 Schiano
 2013/0274080 A1 10/2013 Matsushita
 2013/0296143 A1 11/2013 Staten et al.
 2013/0296146 A1 11/2013 Staten et al.
 2013/0324382 A1 12/2013 Wilson
 2014/0014604 A1 1/2014 de Moraes Correia
 2014/0087928 A1 3/2014 Luedeka
 2014/0135182 A1 5/2014 Inglut
 2014/0135183 A1 5/2014 Inglut
 2014/0135184 A1 * 5/2014 Hoole A63B 23/1209
 482/97
 2014/0274563 A1 9/2014 Sheta
 2014/0274584 A1 * 9/2014 Hoole A63B 21/0552
 482/72
 2015/0011370 A1 1/2015 Henniger

2015/0014212 A1 1/2015 Beaver et al.
 2015/0016919 A1 1/2015 Tambornino et al.
 2015/0059257 A1 3/2015 Beaver et al.
 2015/0065316 A1 3/2015 Towley, III et al.
 2015/0196119 A1 7/2015 Henniger
 2015/0290488 A1 10/2015 Hopperstad et al.
 2016/0023035 A1 1/2016 Meyer
 2017/0007877 A1 1/2017 Leipheimer
 2017/0056705 A1 3/2017 Zha et al.
 2017/0080276 A1 3/2017 Lopes Rodrigues
 2017/0120099 A1 5/2017 Biddix, Jr.
 2017/0189736 A1 7/2017 Martin
 2017/0246496 A1 8/2017 Nelson et al.
 2017/0282002 A1 * 10/2017 Lee A63B 71/0619
 2018/0028852 A1 2/2018 Beaver et al.
 2018/0036573 A1 2/2018 Lennox et al.
 2018/0117382 A1 5/2018 Johanson et al.
 2018/0178051 A1 6/2018 Shaw, Jr.
 2018/0243597 A1 8/2018 Schlegel
 2018/0326250 A1 11/2018 Henniger et al.
 2018/0353795 A1 12/2018 Ostmeyer et al.
 2019/0009157 A1 1/2019 Sudeith et al.
 2019/0240521 A1 * 8/2019 Staten A63B 17/04
 2019/0269992 A1 * 9/2019 Dunahay A47B 57/34
 2019/0275363 A1 9/2019 Jones et al.
 2020/0179744 A1 6/2020 Arroyo
 2020/0222745 A1 7/2020 Leipheimer

OTHER PUBLICATIONS

Product listing for Rogue Monster Lite Crossmembers from <https://web.archive.org/web/20180726214651/https://www.roguefitness.com/monster-lite-crossmembers>, dated Jul. 26, 2018.
 Product listing for Rogue Monster Crossmembers from <https://web.archive.org/web/20151005121212/http://www.roguefitness.com/rogue-monster-crossmembers>, dated Oct. 5, 2015.
 Product listing for Rogue Monster Lite Crossmembers from <https://web.archive.org/web/20150831043319/http://www.roguefitness.com/monster-lite-crossmembers>, dated Aug. 31, 2015.
 Product listing for Monster Lite Monkey Rig 2.0 from <https://web.archive.org/web/20161202195146/http://www.roguefitness.com/rogue-monster-lite-monkey-rig-2-0>, dated Dec. 2, 2016.
 Product listing for Rogue Echo Rig from <https://web.archive.org/web/20160518084653/http://www.roguefitness.com/echo-rig>, dated May 18, 2016.
 Product listing for Rogue Monster Lite Rig 2.0 from <https://web.archive.org/web/20160511215330/http://www.roguefitness.com/monster-lite-rig-2-0>, dated May 11, 2016.
 Product listing for Rogue Monster Rig 2.0 from <https://web.archive.org/web/20160511213413/http://www.roguefitness.com/monster-rig-2-0>, dated May 11, 2016.
 Product listing for Rogue Infinity Rig from <https://web.archive.org/web/20160518082947/http://www.roguefitness.com/infinity-rig>, dated May 18, 2016.
 Product listing for Rogue Monster Rig from <https://web.archive.org/web/20160317072250/http://www.roguefitness.com/monster-rig>, dated Mar. 17, 2016.
 Photos of Rogue Regional Rig, known to be publicly disclosed prior to Apr. 25, 2017.
 Photos of Rogue Regional Rig from <https://twitter.com/roguefitness/status/865599795754180608>, dated May 19, 2017.
 Screenshots taken from https://www.youtube.com/watch?v=OWN6HYHR0_Y, dated Jul. 28, 2017.
 Roguefitness, "Rogue Monster Climbing Hold Crossmembers", Jan. 14, 2020. https://www.roguefitness.com/rogue-monster-climbing-hold-crossmember?prod_id=67426&gclid=CjwKCAiA6vXwBRBKEiwAYE7iS_Zy9bmf6yAtCcsaQrVrJkdDypcRxqH6MGaAQf7xiwX6WZlco0xoCGLAQAvD_BwE. Shown on p. 1. (Year: 2020).
 Product listing for Rogue Monster Lite Monkey Rig 2.0 from <https://web.archive.org/web/20170629153857/http://www.roguefitness.com/rogue-monster-lite-monkey-rig-2-0>, dated Jun. 29, 2017.

(56)

References Cited

OTHER PUBLICATIONS

Product listing for Rogue Monster Wingspan Rig from <https://www.roguefitness.com/rogue-monster-wingspan-rig>, dated Mar. 20, 2020, product available prior to Jul. 31, 2018.

Product listing for Rogue Monster Crossmembers from <https://web.archive.org/web/20180831022022/https://www.roguefitness.com/rogue-monster-crossmembers>, dated Aug. 31, 2018.

Product listing for Rogue Monster Crossmembers from <https://web.archive.org/web/20151005121212/https://www.roguefitness.com/rogue-monster-crossmembers>, dated Oct. 5, 2015.

Product listing for Monster Lite Crossmembers from <https://web.archive.org/web/20180726214651/https://www.roguefitness.com/monster-lite-crossmembers>, dated Jul. 26, 2018.

Product listing for Rogue Infinity Crossmembers from <https://web.archive.org/web/20171106183221/http://www.roguefitness.com/rogue-infinity-crossmembers>, dated Nov. 6, 2017.

Product listing for Rogue Infinity Crossmembers from <https://web.archive.org/web/20151005114744/http://www.roguefitness.com/rogue-infinity-crossmembers>, dated Oct. 5, 2015.

Product listing for Rogue Echo Crossmembers from <https://web.archive.org/web/20151005124555/http://www.roguefitness.com/rogue-echo-crossmembers>, dated Oct. 5, 2015.

Product listing for Rogue RM-390F Flat Foot Monster Rack, From: <http://web.archive.org/web/20170706085338/http://www.roguefitness.com/rogue-rm-390f-flat-foot-monster-rack-2-0>, dated Jan. 29, 2016, accessed Jun. 25, 2021.

Product listing for RML-390F Flat Foot Monster Lite Rack, From: <http://web.archive.org/web/20180725012230/https://www.roguefitness.com/rml-390f-flat-foot-monster-lite-rack>, dated Jun. 14, 2014, accessed Jun. 25, 2021.

* cited by examiner

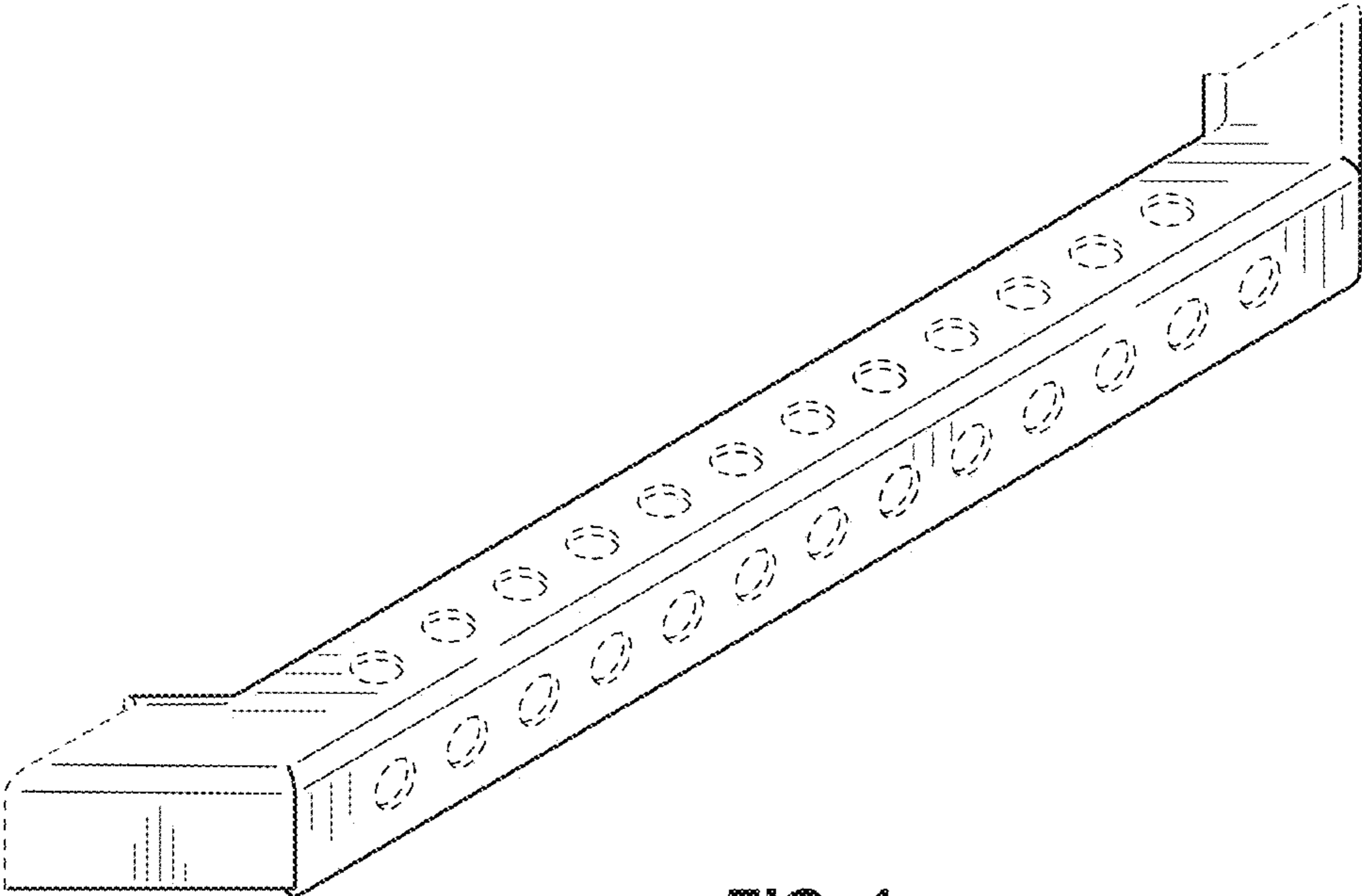


FIG. 1

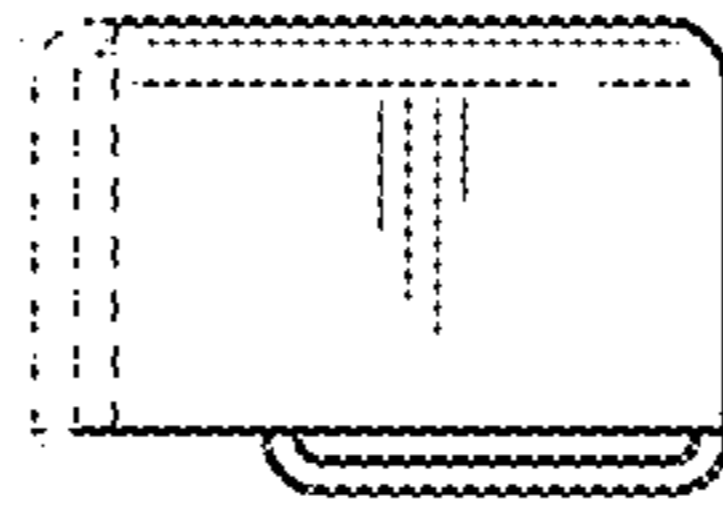


FIG. 2

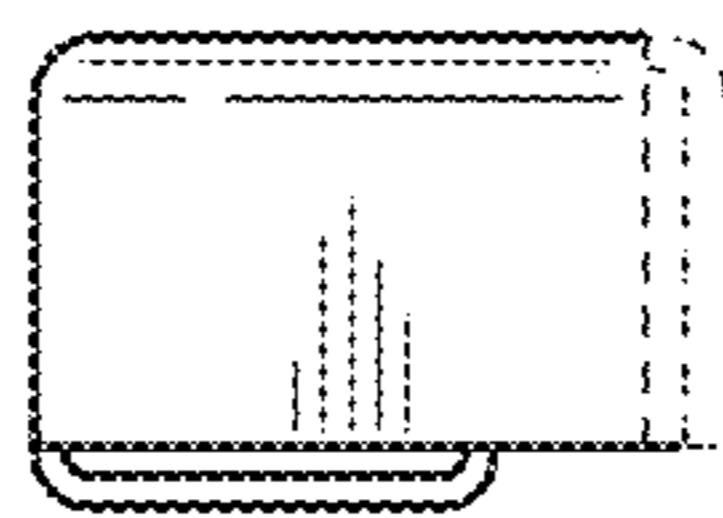


FIG. 3

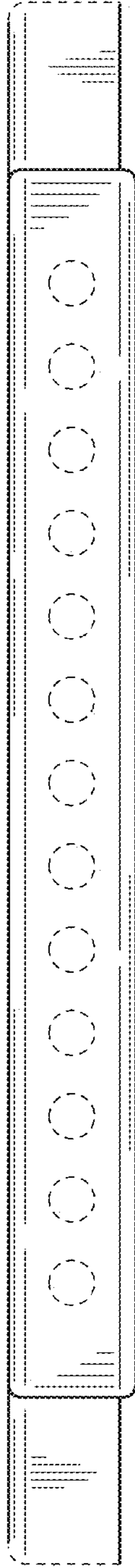


FIG. 4

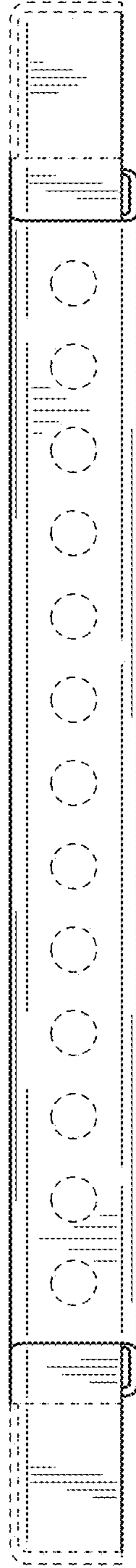


FIG. 5

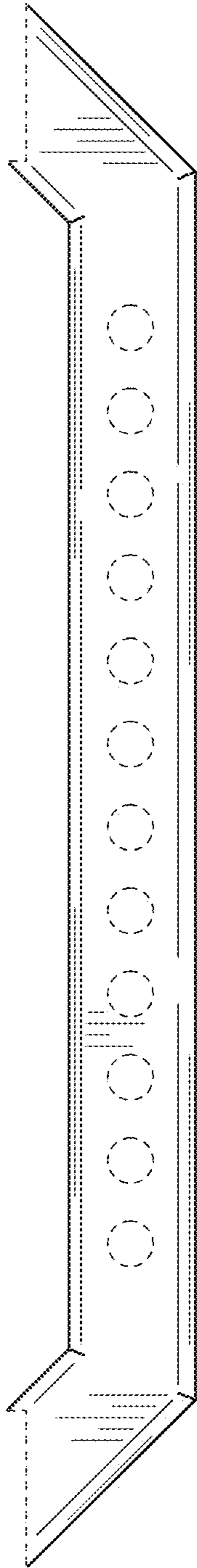


FIG. 6

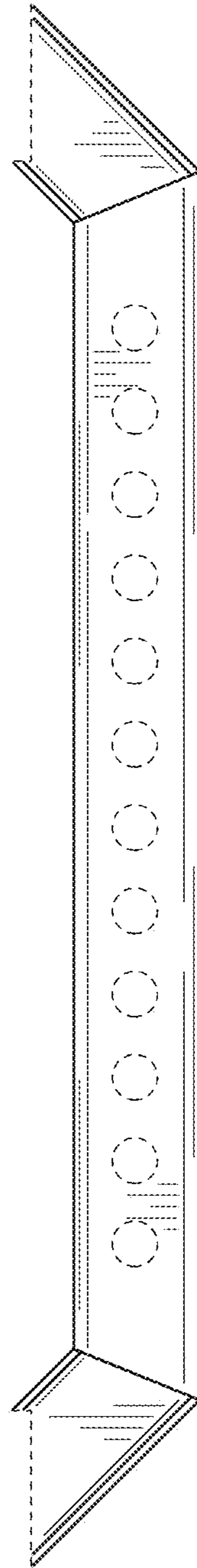


FIG. 7

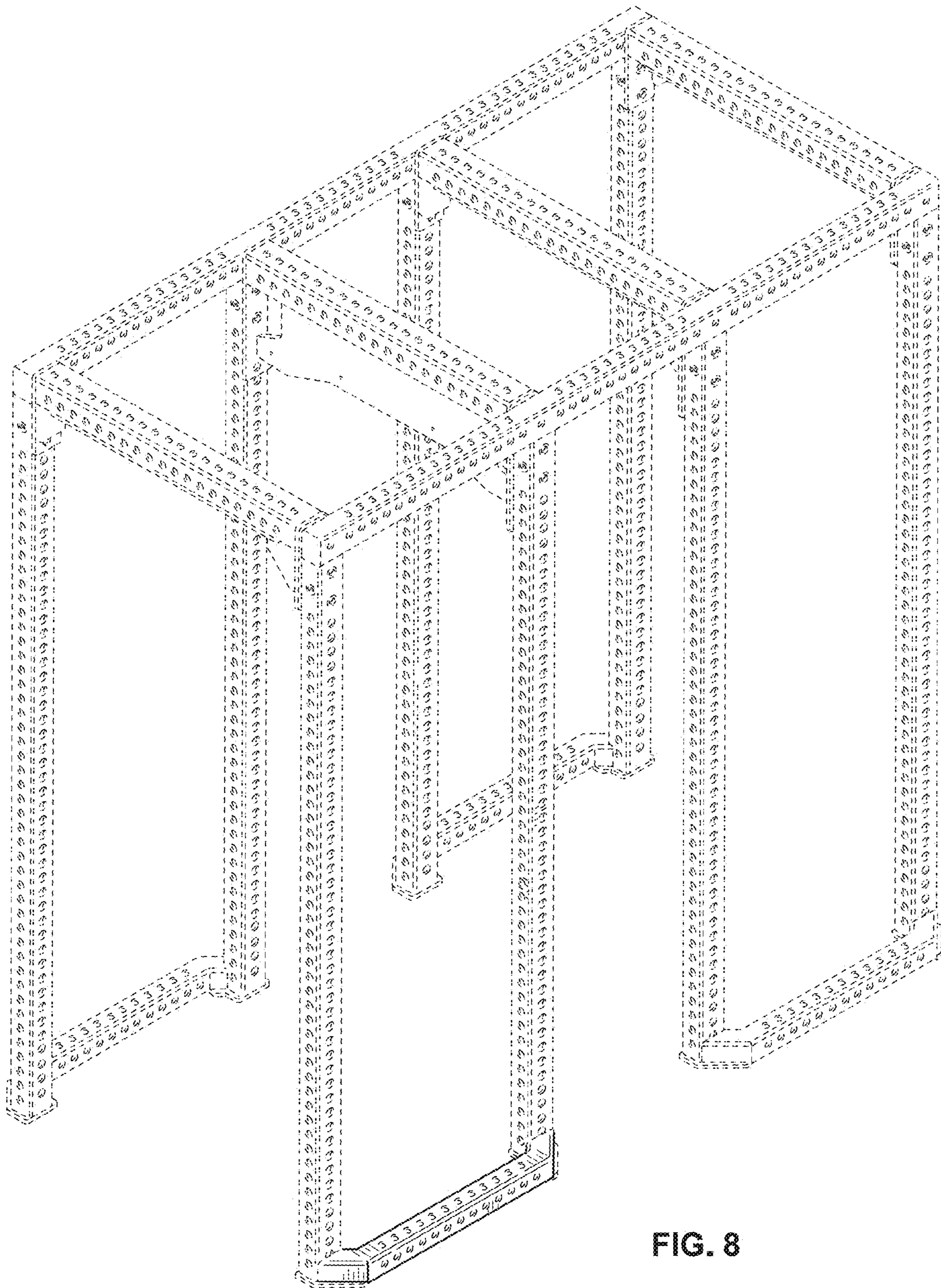


FIG. 8