



US00D944339S

(12) **United States Design Patent**  
**Yang**

(10) **Patent No.:** **US D944,339 S**

(45) **Date of Patent:** **\*\* Feb. 22, 2022**

(54) **ROWING MACHINE**

(71) Applicant: **Sailvan Times Co., Ltd.**, Shenzhen (CN)

(72) Inventor: **Guoqing Yang**, Shenzhen (CN)

(\*\*) Term: **15 Years**

(21) Appl. No.: **29/767,379**

(22) Filed: **Jan. 22, 2021**

(51) **LOC (13) Cl.** ..... **21-02**

(52) **U.S. Cl.**  
USPC ..... **D21/674**

(58) **Field of Classification Search**  
USPC ..... D21/673, 674, 662, 694, 695, 676, 663,  
D21/665, 688; 472/72, 73, 4, 96, 9, 95,  
472/140  
CPC ..... A63B 22/0076; A63B 2022/0079; A63B  
2022/0084; A63B 21/225; A63B 22/0089;  
A63B 21/068; A63B 69/06

See application file for complete search history.

(56) **References Cited**

**U.S. PATENT DOCUMENTS**

D87,261 S *	6/1932	Hardy et al.	.....	D21/674
D130,626 S *	12/1941	Davis	.....	D21/674
3,446,503 A *	5/1969	Lawton	.....	A63B 22/0076 482/96
D218,624 S *	9/1970	Margolies	.....	D21/674
D256,707 S *	9/1980	MacLaren-Taylor	.....	482/142
4,284,272 A *	8/1981	Evans	.....	A63B 21/154 482/72
4,300,760 A *	11/1981	Bobroff	.....	A63B 21/068 482/96
D265,110 S *	6/1982	Lafont	.....	D21/674
D268,194 S *	3/1983	Smith	.....	482/73
D268,277 S *	3/1983	Smith	.....	D21/695
D268,278 S *	3/1983	Smith	.....	D21/674
4,421,307 A *	12/1983	Cunnington	.....	A63B 21/018 482/120
D272,376 S *	1/1984	Cunnington	.....	D21/674

4,477,071 A *	10/1984	Brown	.....	A63B 23/12 482/73
D277,304 S *	1/1985	Smith	.....	482/73
4,541,627 A *	9/1985	MacLean	.....	A63B 22/0076 482/112
4,563,000 A *	1/1986	Gall	.....	A63B 22/0076 482/72
4,572,500 A *	2/1986	Weiss	.....	A63B 22/0076 482/112

(Continued)

*Primary Examiner* — Ryan Harvey

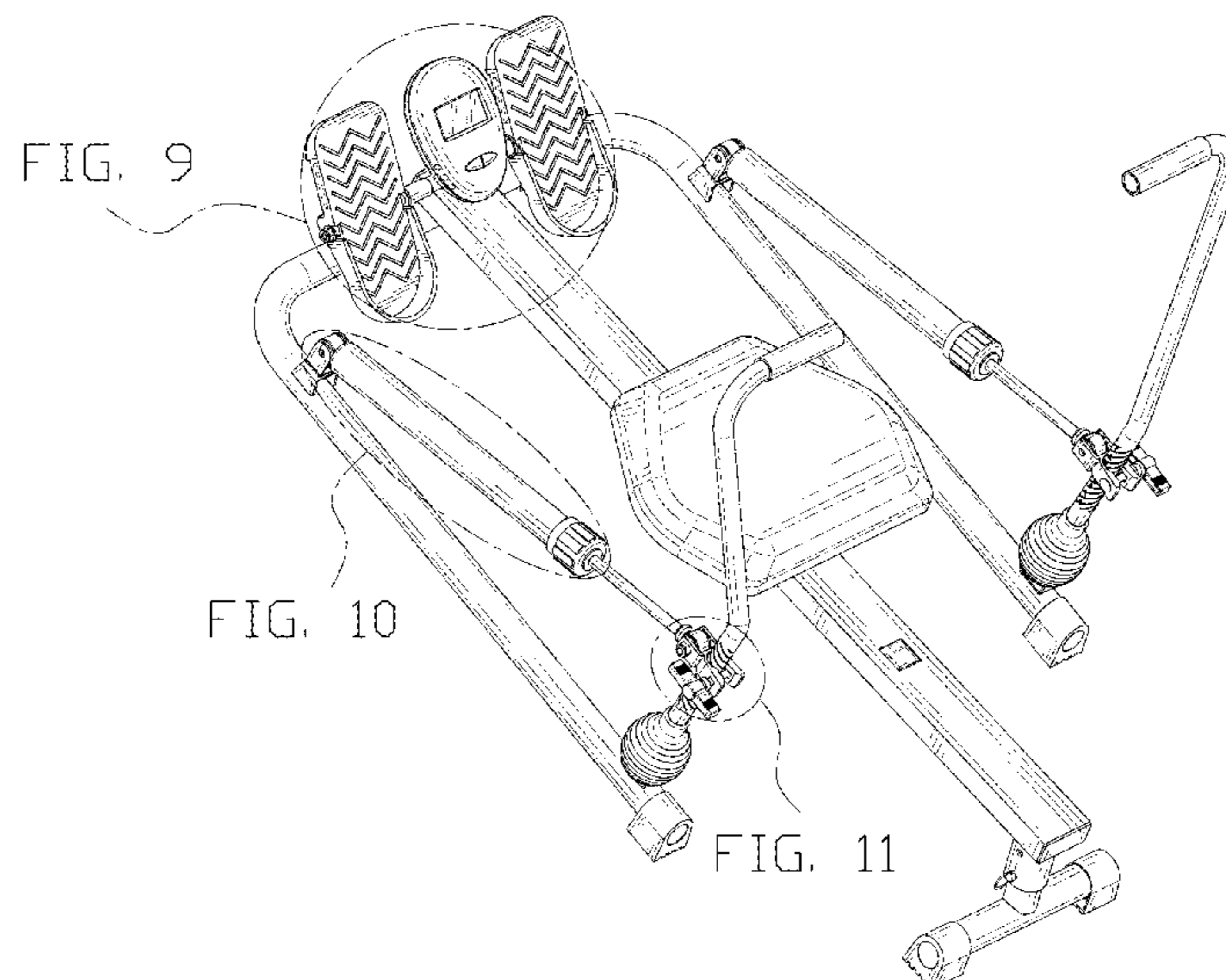
(57) **CLAIM**

The ornamental design for a rowing machine, as shown and described.

**DESCRIPTION**

FIG. 1 is a first perspective view of an ornamental design for the rowing machine showing our new design;  
 FIG. 2 is a second perspective view of the rowing machine thereof;  
 FIG. 3 is a front view of the rowing machine thereof;  
 FIG. 4 is a rear view of the rowing machine thereof;  
 FIG. 5 is a left side view of the rowing machine thereof;  
 FIG. 6 is a right side view of the rowing machine thereof;  
 FIG. 7 is a top plan view of the rowing machine thereof;  
 FIG. 8 is a bottom plan view of the rowing machine thereof;  
 FIG. 9 is a partial enlarged view of the portion 9 in FIG. 1 of the rowing machine thereof;  
 FIG. 10 is a partial enlarged view of the portion 10 in FIG. 1 of the rowing machine thereof; and,  
 FIG. 11 is a partial enlarged view of the portion 11 in FIG. 1 of the rowing machine according to our design.  
 The dashed broken lines are for the purpose of illustrating portions of the rowing machine, and the dot-dash broken lines represent an unclaimed boundary; the broken lines form no part of the claimed design.

**1 Claim, 11 Drawing Sheets**



(56)

## References Cited

## U.S. PATENT DOCUMENTS

- D283,530 S \* 4/1986 Smith ..... D21/674  
 4,602,780 A \* 7/1986 Gall ..... A63B 22/0076  
 482/112  
 4,606,538 A \* 8/1986 Wang ..... A63B 22/0076  
 482/112  
 D285,472 S \* 9/1986 Gremonprez ..... D21/674  
 D286,311 S \* 10/1986 Martinell ..... D21/674  
 4,621,623 A \* 11/1986 Wang ..... A63B 22/0076  
 482/73  
 D287,388 S \* 12/1986 Cheng ..... D21/674  
 D287,389 S \* 12/1986 Nadeau ..... D21/674  
 4,627,610 A \* 12/1986 Ishida ..... A63B 22/0076  
 482/112  
 D288,951 S \* 3/1987 Kiiski ..... D21/674  
 4,650,181 A \* 3/1987 Yang ..... A63B 22/0076  
 482/148  
 D289,539 S \* 4/1987 Brentham ..... D21/674  
 D291,823 S \* 9/1987 Smith ..... D21/674  
 4,695,050 A \* 9/1987 Smith ..... A63B 22/0076  
 482/73  
 4,722,520 A \* 2/1988 Lee ..... A63B 22/0076  
 482/112  
 4,723,774 A \* 2/1988 Monforte ..... A63B 22/0076  
 482/112  
 4,735,410 A \* 4/1988 Nobuta ..... A61B 5/222  
 482/73  
 4,736,944 A \* 4/1988 Johnson ..... A63B 22/0076  
 482/112  
 4,743,010 A \* 5/1988 Geraci ..... A63B 22/0076  
 482/72  
 4,743,011 A \* 5/1988 Coffey ..... A63B 21/0088  
 482/111  
 4,746,112 A \* 5/1988 Fayal ..... A63B 21/153  
 482/111  
 4,750,735 A \* 6/1988 Furgerson ..... A63B 21/0083  
 188/313  
 4,750,736 A \* 6/1988 Watterson ..... A63B 22/0076  
 482/142  
 D296,575 S \* 7/1988 McNeil ..... D21/694  
 4,756,523 A \* 7/1988 Rasmussen ..... A63B 22/0076  
 188/67  
 D297,853 S \* 9/1988 Ostrom ..... D21/674  
 4,768,776 A \* 9/1988 Giannotti ..... A63B 22/0076  
 482/73  
 D299,021 S \* 12/1988 Hand ..... D12/302  
 D299,503 S \* 1/1989 McNeil ..... D21/694  
 4,867,440 A \* 9/1989 Saarinen ..... A63B 22/0076  
 482/73  
 4,867,447 A \* 9/1989 Johnson ..... A63B 22/0076  
 482/73  
 D306,750 S \* 3/1990 Kiiski ..... D21/674  
 D319,479 S \* 8/1991 Hur-Aoun ..... D21/665  
 D323,538 S \* 1/1992 Wright ..... D21/674  
 D324,709 S \* 3/1992 Lehtonen ..... D21/674  
 D337,799 S \* 7/1993 Cutter ..... D21/666  
 D344,112 S \* 2/1994 Smith ..... D21/674  
 5,295,931 A \* 3/1994 Dreibelbis ..... A63B 21/1609  
 482/125  
 D352,534 S \* 11/1994 Dreibelbis ..... D21/674  
 D356,128 S \* 3/1995 Smith ..... D21/674  
 D358,855 S \* 5/1995 Wang ..... D21/674  
 D362,283 S \* 9/1995 Lee ..... D21/674  
 D367,508 S \* 2/1996 Dreissigacker ..... D21/674  
 D367,689 S \* 3/1996 Wilkinson ..... D21/674  
 5,507,709 A \* 4/1996 Wu ..... A63B 21/00072  
 482/72  
 5,512,027 A \* 4/1996 Chen ..... A63B 22/0076  
 482/130  
 5,527,243 A \* 6/1996 Chen ..... A63B 21/068  
 482/57  
 5,556,361 A \* 9/1996 Liao ..... A63B 21/068  
 482/72
- 5,569,130 A \* 10/1996 Wang ..... A63B 22/0076  
 482/51  
 5,569,132 A \* 10/1996 Wu ..... A63B 21/068  
 482/72  
 D375,337 S \* 11/1996 Adkins ..... D21/676  
 D375,534 S \* 11/1996 Lin ..... D21/674  
 5,575,741 A \* 11/1996 Fan ..... A63B 22/0076  
 482/57  
 5,582,562 A \* 12/1996 Wang ..... A63B 21/068  
 482/57  
 5,584,784 A \* 12/1996 Wu ..... A63B 21/068  
 482/57  
 5,584,785 A \* 12/1996 Wu ..... A63B 21/068  
 482/57  
 5,586,959 A \* 12/1996 Adkins ..... A63B 21/068  
 482/72  
 5,591,108 A \* 1/1997 Chen ..... A63B 21/068  
 482/57  
 D378,842 S \* 4/1997 Lee ..... D21/663  
 5,626,542 A \* 5/1997 Dalebout ..... A63B 21/068  
 482/72  
 D380,509 S \* 7/1997 Wilkinson ..... D21/665  
 5,647,825 A \* 7/1997 Adkins ..... A63B 21/068  
 482/114  
 D383,814 S \* 9/1997 Ward ..... D21/674  
 D384,118 S \* 9/1997 Deblauw ..... D21/665  
 D387,108 S \* 12/1997 Lee ..... D21/665  
 5,695,435 A \* 12/1997 Dalebout ..... A63B 21/0083  
 482/57  
 5,997,446 A \* 12/1999 Stearns ..... A63B 21/00072  
 482/56  
 6,149,552 A \* 11/2000 Chen ..... A63B 22/14  
 482/51  
 6,817,968 B2 \* 11/2004 Galbraith ..... A63B 21/0552  
 482/121  
 6,926,647 B1 \* 8/2005 Huang ..... A63B 21/0552  
 482/115  
 6,981,932 B1 \* 1/2006 Huang ..... A63B 21/00072  
 482/121  
 7,004,894 B1 \* 2/2006 Trotter ..... A63B 23/02  
 482/140  
 7,022,052 B1 \* 4/2006 Lai ..... A63B 21/0083  
 482/72  
 7,104,933 B1 \* 9/2006 Liao ..... A63B 21/012  
 482/114  
 7,108,642 B1 \* 9/2006 Stearns ..... A63B 23/0211  
 482/140  
 D556,274 S \* 11/2007 Morgan ..... D21/662  
 D609,288 S \* 2/2010 Khubani ..... D21/674  
 D622,788 S \* 8/2010 Khubani ..... D21/674  
 D629,053 S \* 12/2010 Tsai ..... D21/674  
 D632,746 S \* 2/2011 Wu ..... D21/676  
 D691,678 S \* 10/2013 Cardillo ..... D21/674  
 D743,495 S \* 11/2015 Ho ..... D21/688  
 9,750,972 B1 \* 9/2017 Liu ..... A63B 22/20  
 9,901,768 B1 \* 2/2018 Wu ..... A63B 21/4034  
 D856,442 S \* 8/2019 Haquet ..... D21/662  
 D861,805 S \* 10/2019 Lisi ..... D21/674  
 10,471,297 B1 \* 11/2019 Smith ..... A63B 22/0087  
 10,596,408 B2 \* 3/2020 Stepanian ..... A63B 21/4035  
 10,702,737 B2 \* 7/2020 Zhou ..... A63B 21/0428  
 D898,843 S 10/2020 Kwon et al.  
 10,828,531 B1 \* 11/2020 Smith ..... A63B 71/0619  
 D914,812 S \* 3/2021 Campanaro ..... D21/674  
 D921,775 S \* 6/2021 Wu ..... D21/674  
 D922,503 S \* 6/2021 Wu ..... D21/674  
 D923,119 S \* 6/2021 Hsieh ..... D21/674  
 D936,160 S \* 11/2021 Blum ..... D21/674  
 2002/0115537 A1 \* 8/2002 Lin ..... A63B 21/225  
 482/72  
 2005/0101459 A1 \* 5/2005 Tornabene ..... A63B 21/068  
 482/140  
 2006/0189455 A1 \* 8/2006 Yang ..... A63B 22/0076  
 482/73  
 2006/0270528 A1 \* 11/2006 Lai ..... A63B 22/203  
 482/72

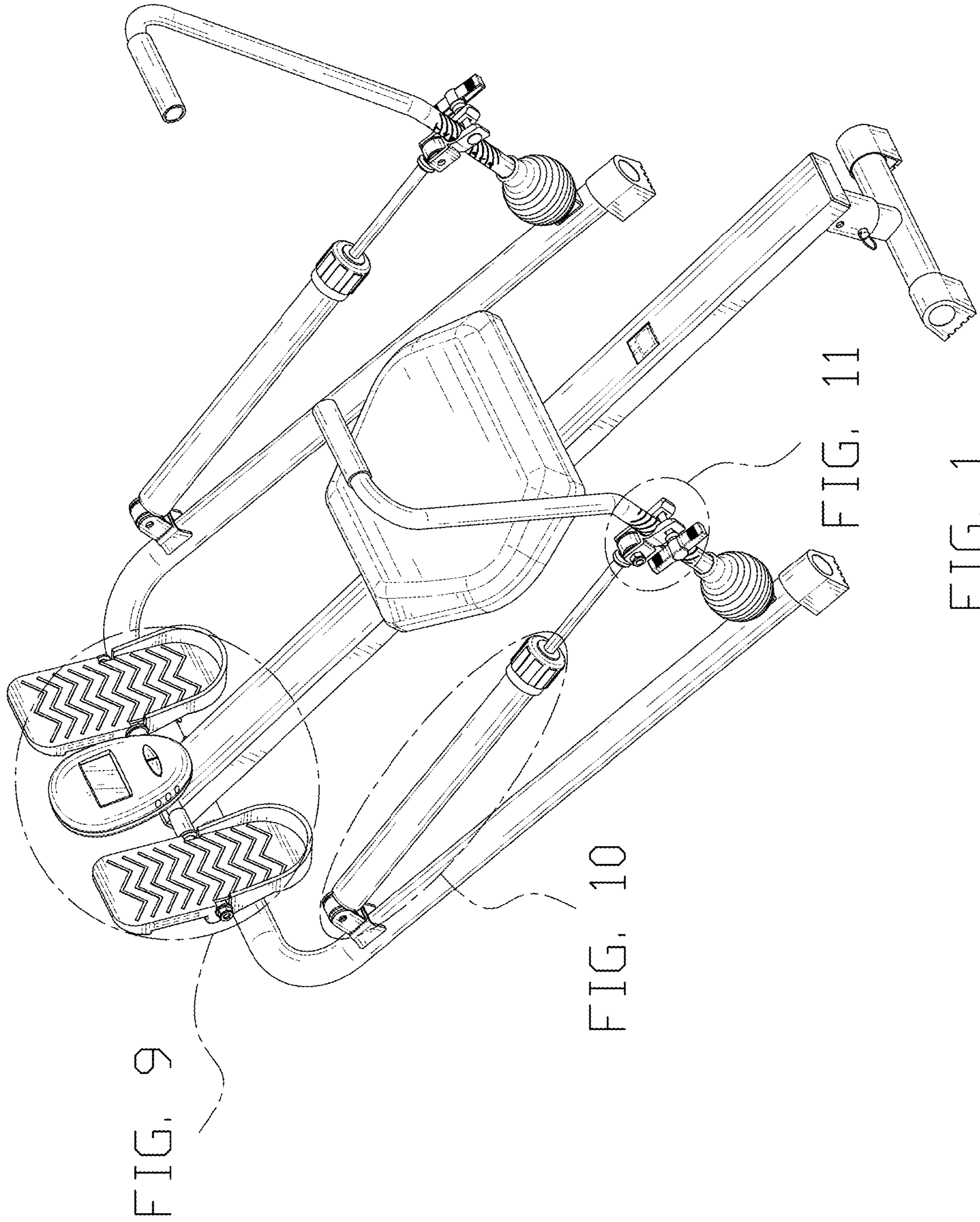
(56)

**References Cited**

U.S. PATENT DOCUMENTS

2007/0099770 A1\* 5/2007 Yang ..... A63B 22/0076  
482/72  
2007/0191191 A1\* 8/2007 Fan ..... A63B 22/0076  
482/72  
2011/0028278 A1\* 2/2011 Roach ..... A63B 22/0076  
482/72  
2017/0361152 A1\* 12/2017 Hou ..... A63B 21/005  
2018/0056117 A1\* 3/2018 Hamilton ..... A63B 21/008  
2018/0169463 A1\* 6/2018 Ellis ..... A63B 21/22  
2018/0272182 A1\* 9/2018 Hou ..... A63B 21/0051  
2020/0023232 A1\* 1/2020 French ..... A63B 21/225

\* cited by examiner



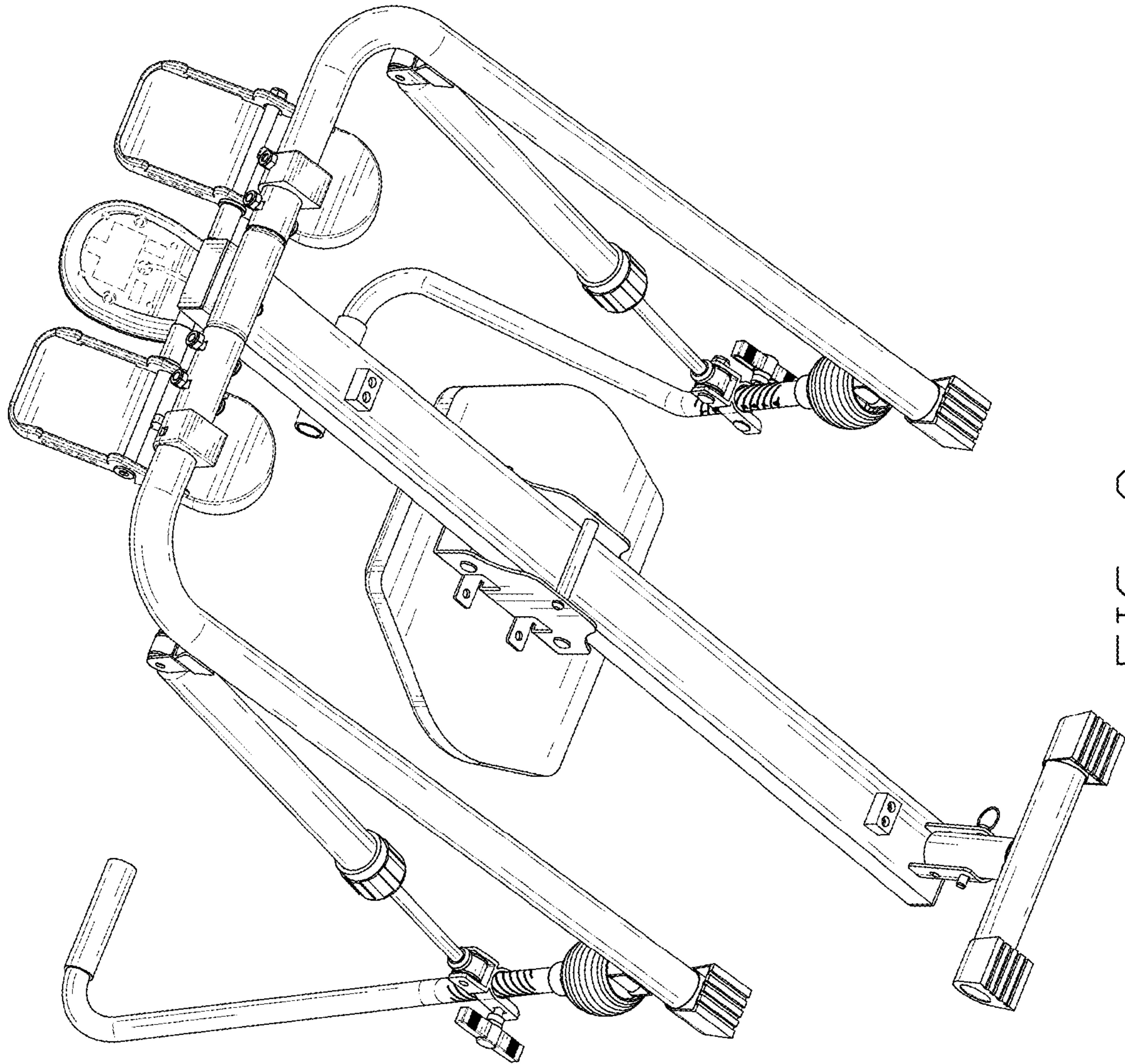


FIG. 2

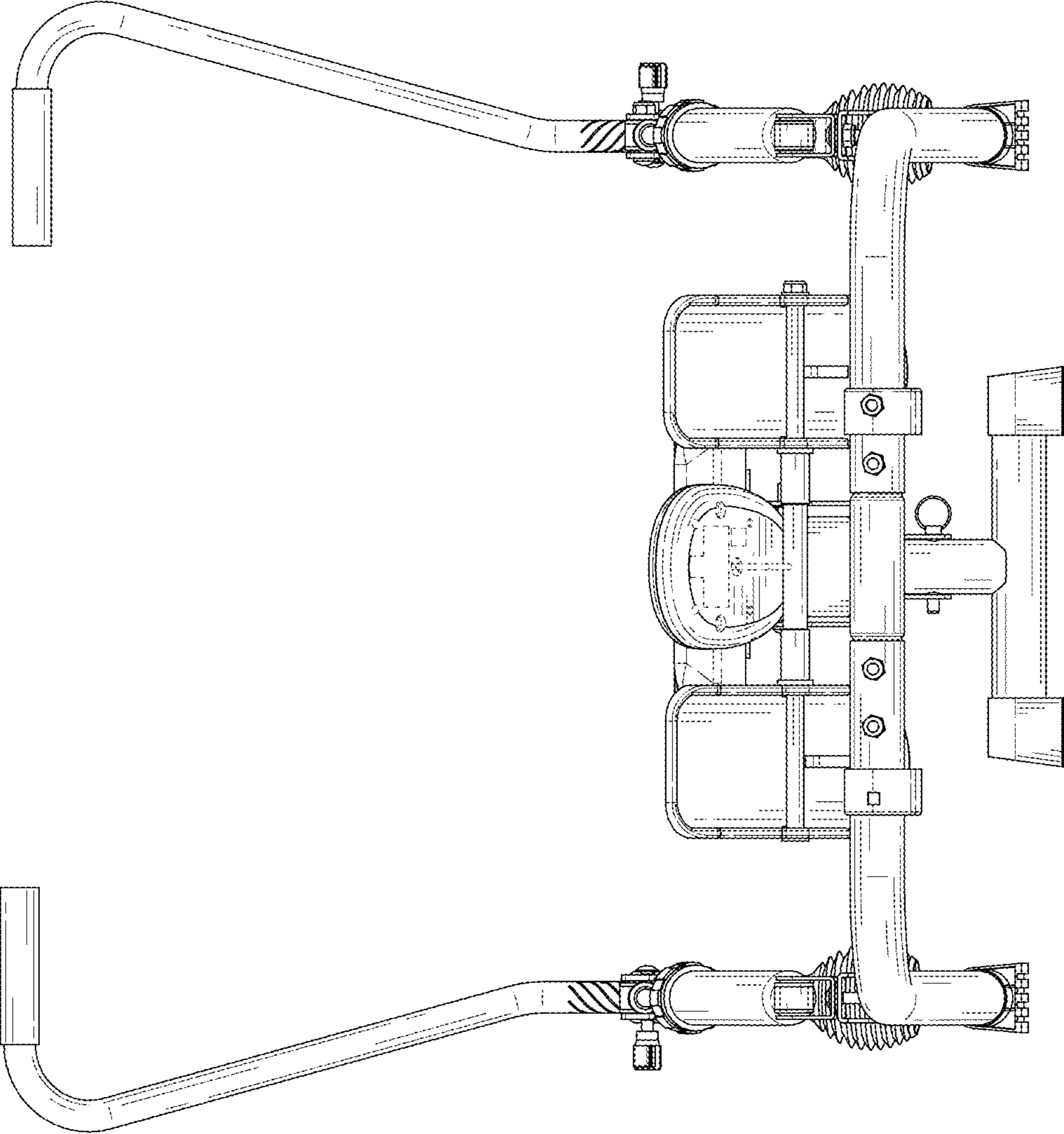


FIG. 3

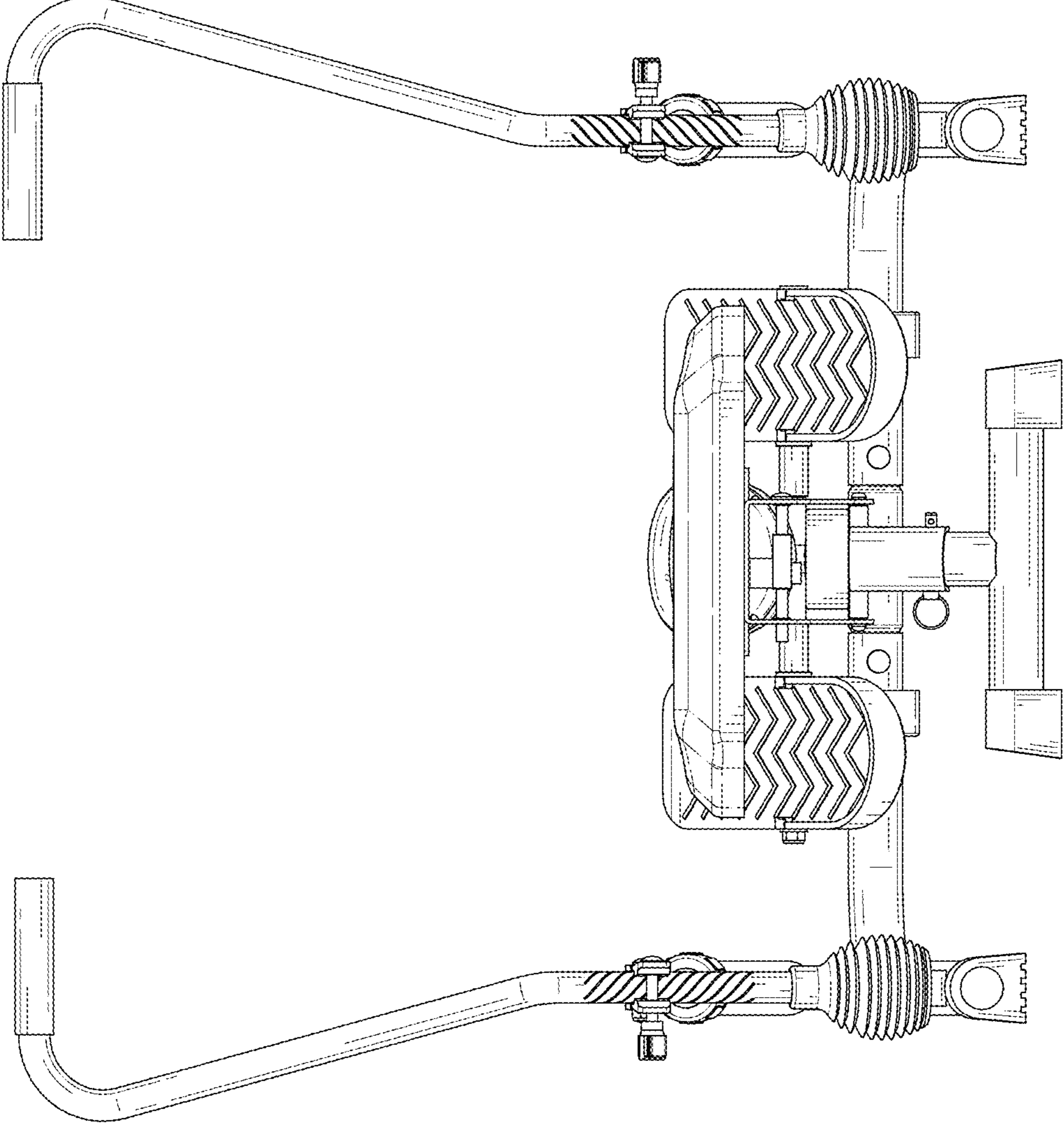


FIG. 4

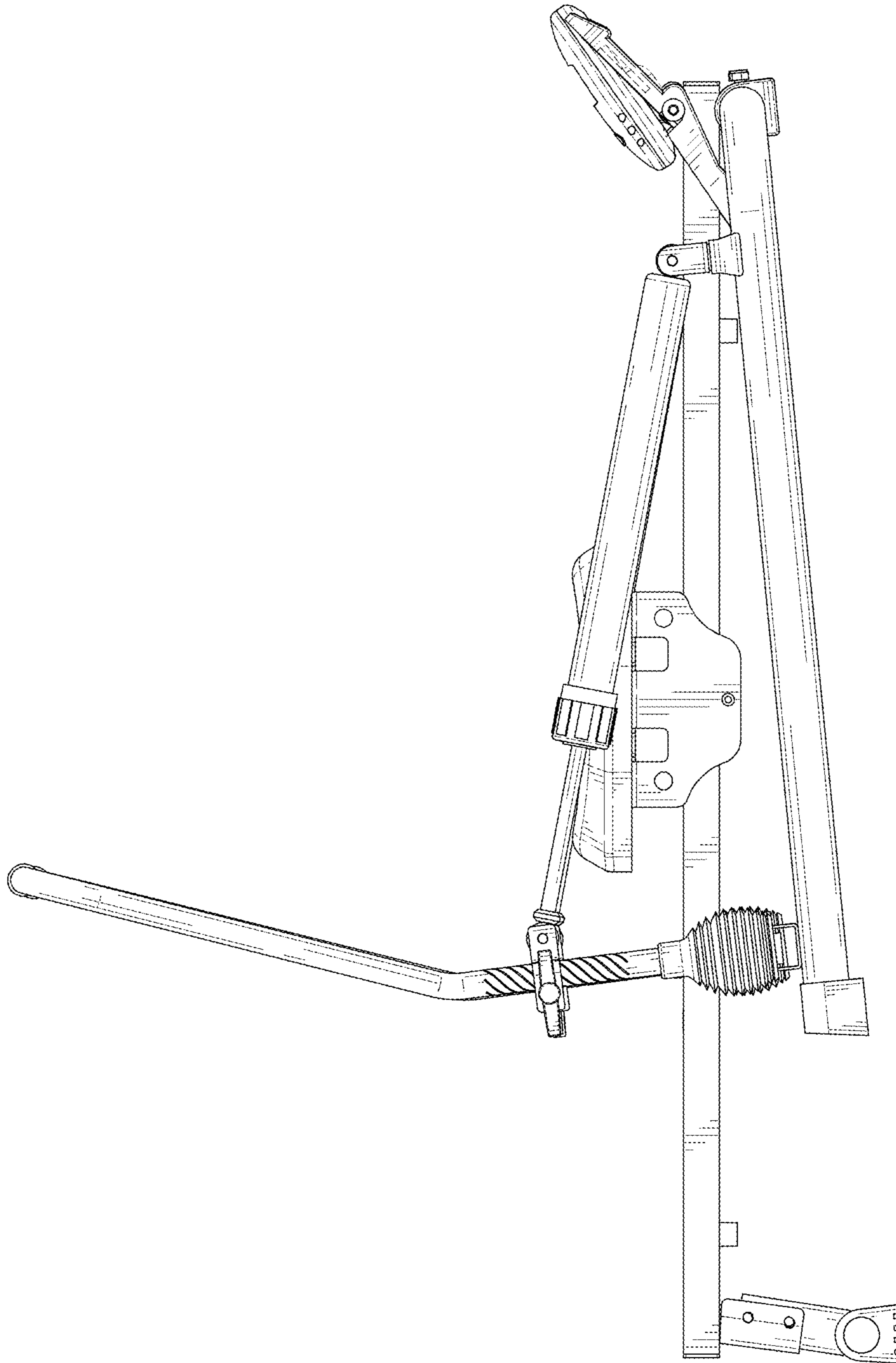


FIG. 5



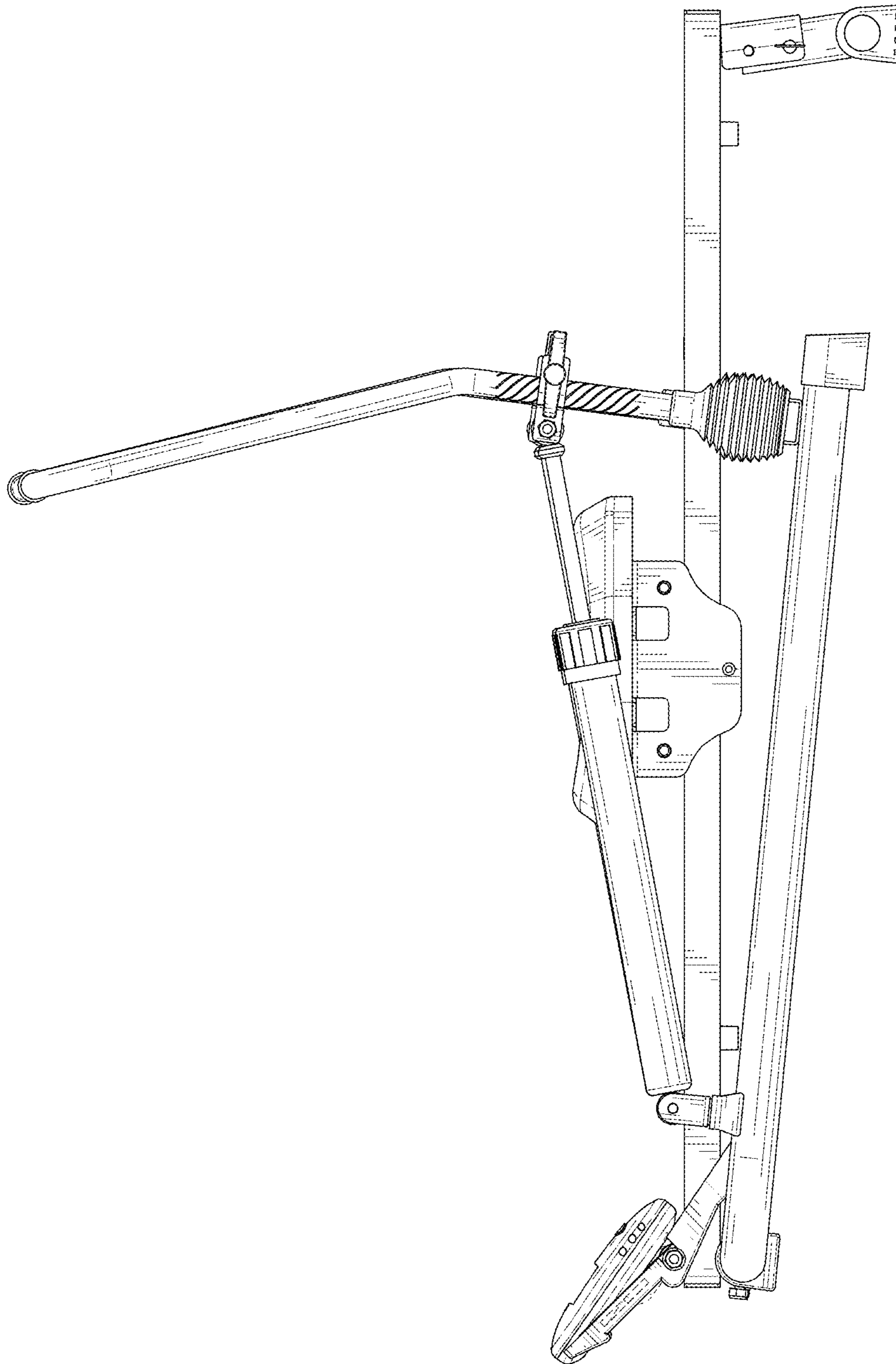


FIG. 6

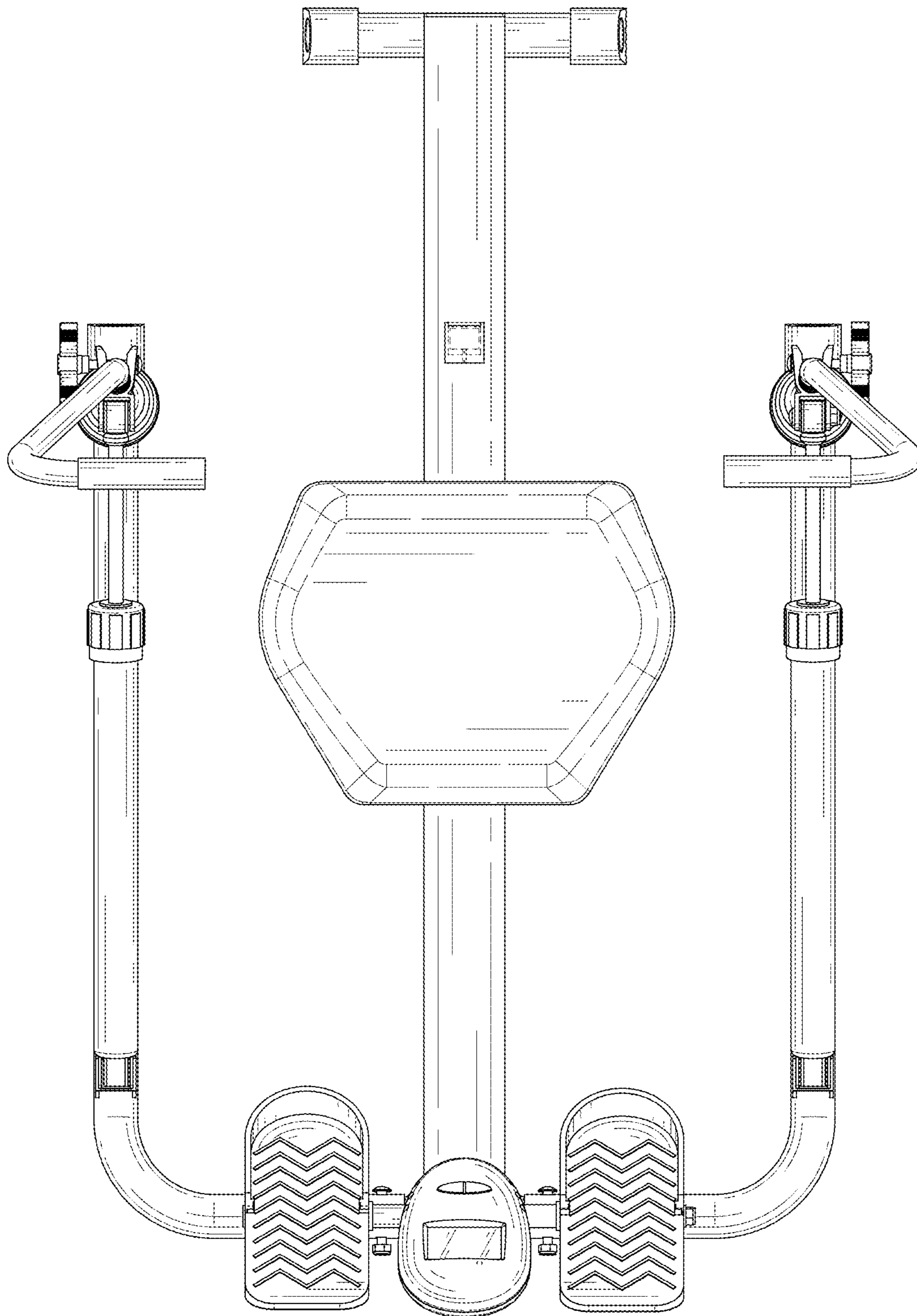


FIG. 7

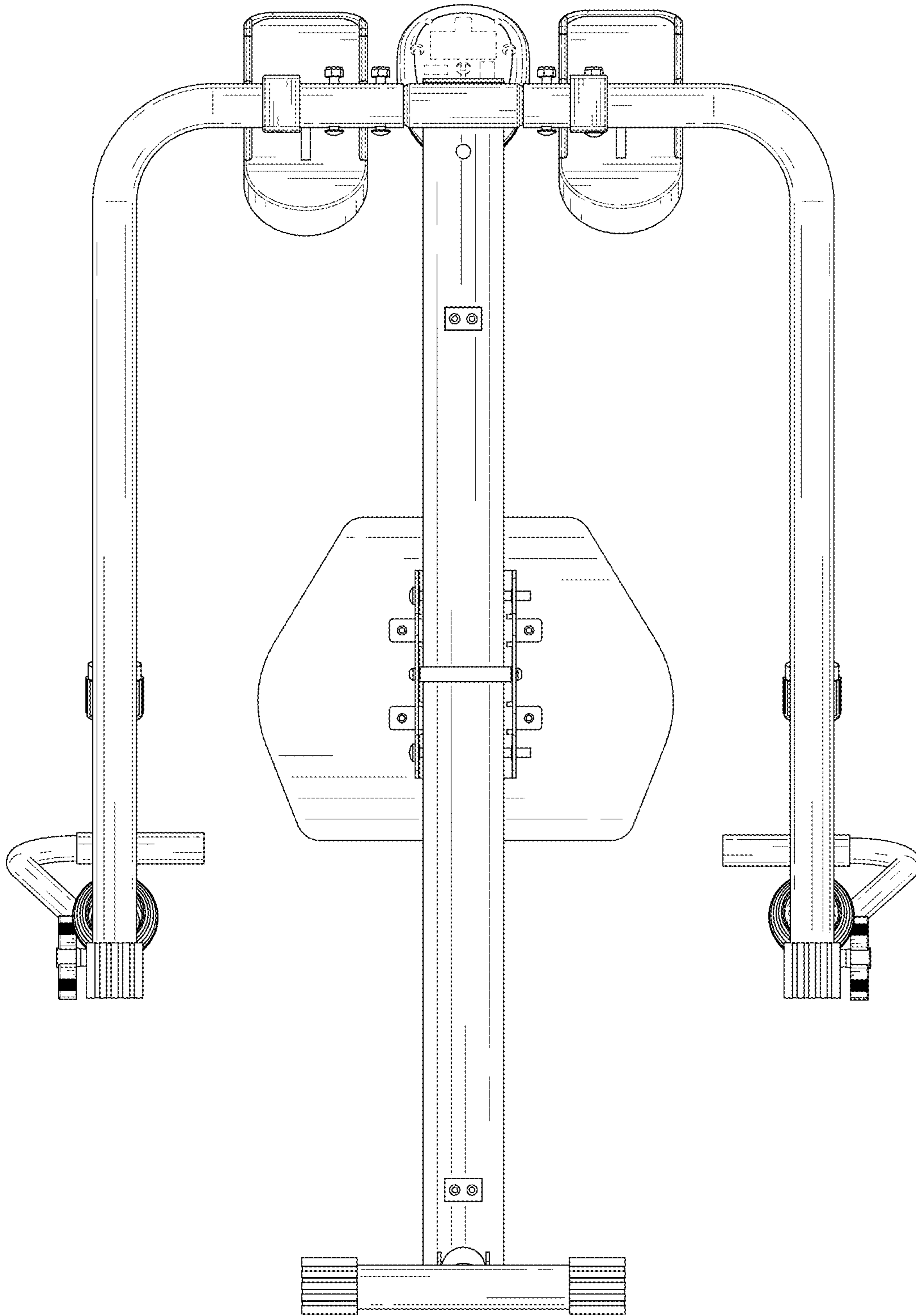


FIG. 8

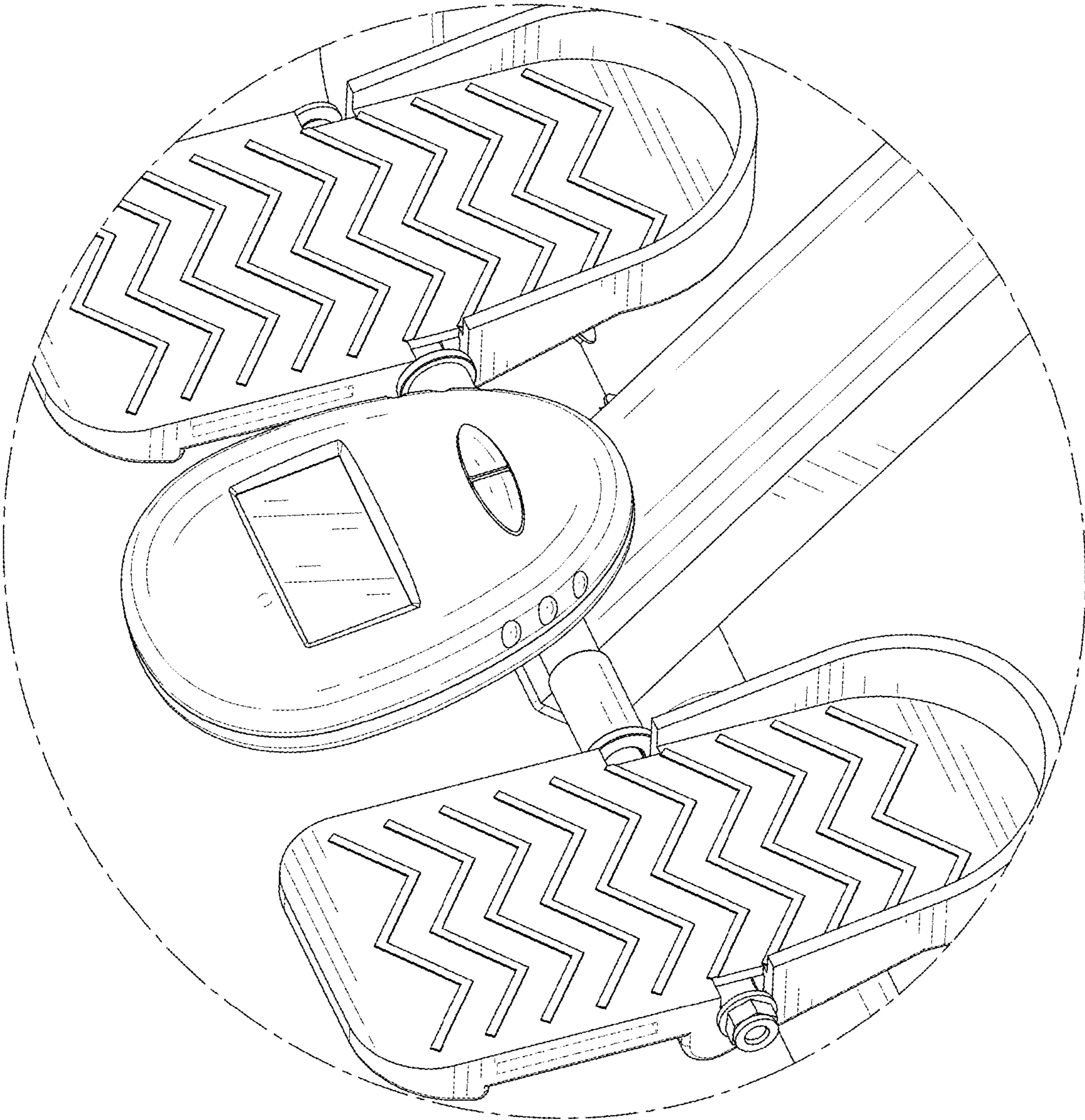


FIG. 9

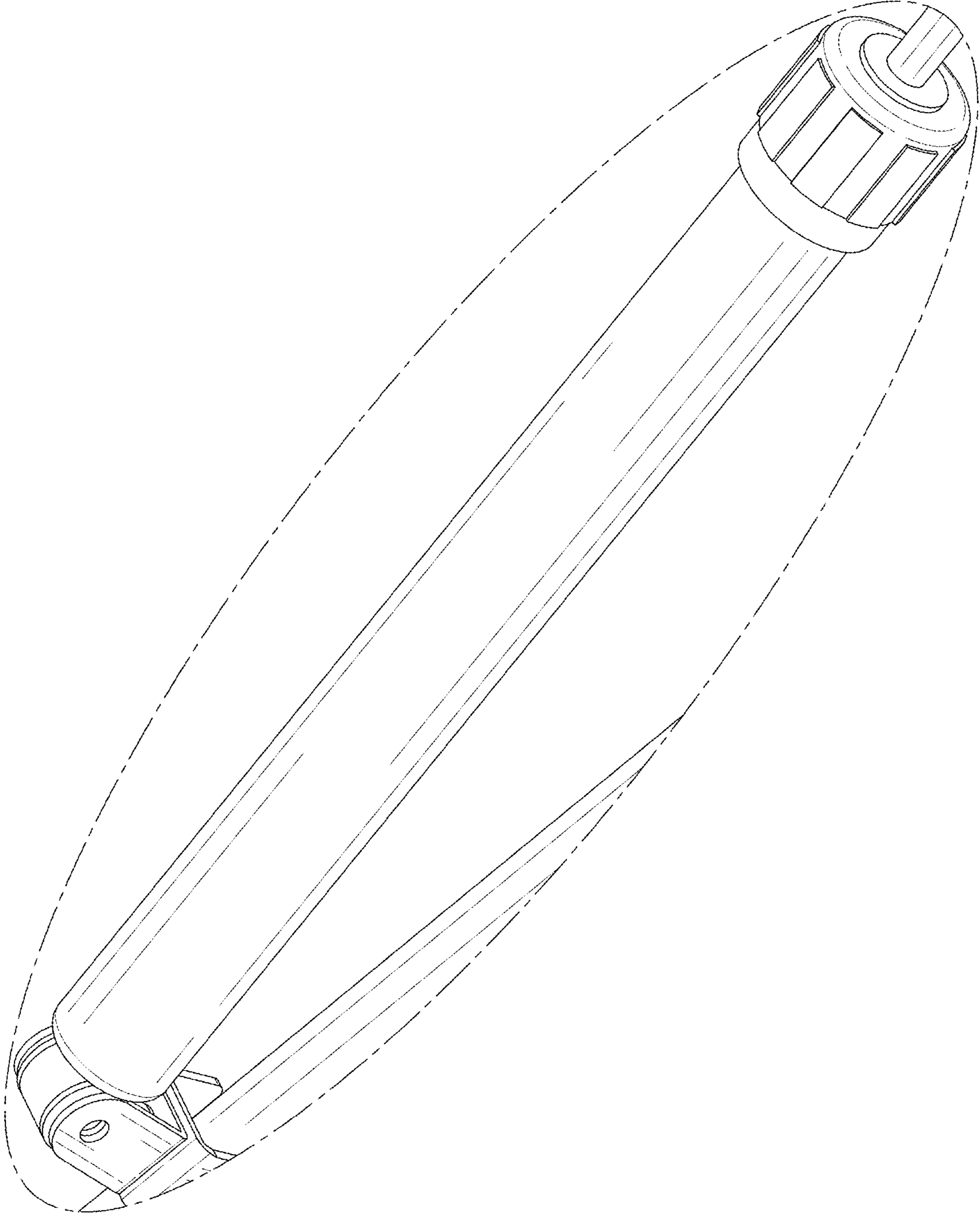


FIG. 10

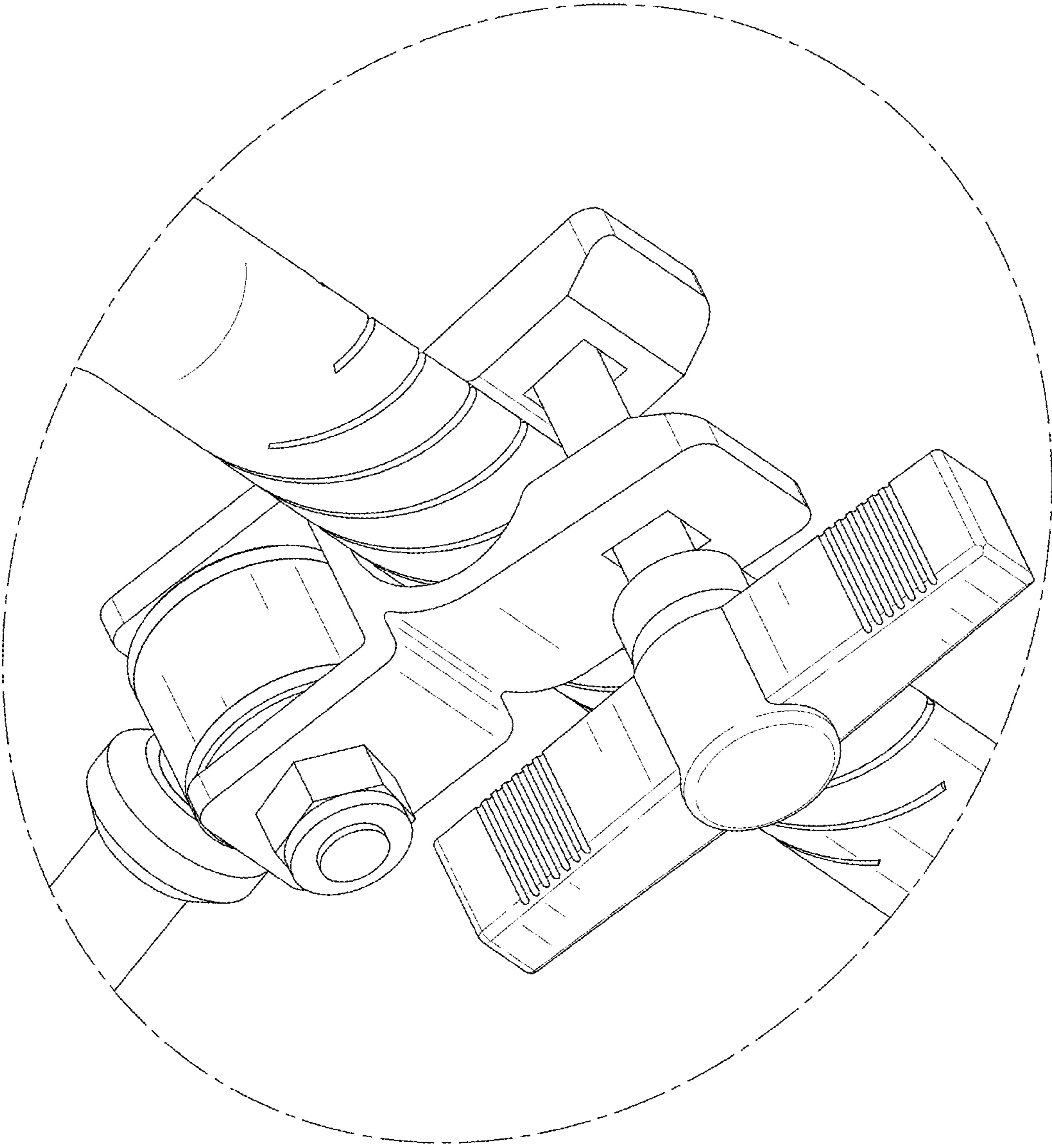


FIG. 11