



US00D944338S

(12) **United States Design Patent**
Li et al.

(10) **Patent No.:** **US D944,338 S**
(45) **Date of Patent:** **** Feb. 22, 2022**

(54) **TRAMPOLINE**
(71) Applicant: **Hangzhou Yue Fu Si Technology Co., Ltd., Zhejiang (CN)**
(72) Inventors: **Long Li, Zhejiang (CN); Xinhan Wang, Zhejiang (CN)**
(73) Assignee: **Hangzhou Yue Fu Si Technology Co., Ltd., Zhejiang (CN)**

D857,139 S 8/2019 Andon
D912,186 S 3/2021 Wang
D920,458 S * 5/2021 Zeng D21/797
(Continued)

(**) Term: **15 Years**
(21) Appl. No.: **29/775,691**
(22) Filed: **Mar. 24, 2021**

FOREIGN PATENT DOCUMENTS

KR 301116006.0000 * 6/2020

(30) **Foreign Application Priority Data**

Mar. 11, 2021 (CN) 202130132907.4

(51) **LOC (13) Cl.** **21-02**

(52) **U.S. Cl.**
USPC **D21/672**

(58) **Field of Classification Search**
USPC D21/671, 672, 686, 797, 692, 693, 835
See application file for complete search history.

OTHER PUBLICATIONS

SereneLife, announced 2017[online], [site visited Nov. 15, 2021]. Available on internet, URL:https://www.amazon.com/SereneLife-Portable-Foldable-Trampoline-Home/dp/B0774YTV59/ref (Year: 2017).*

(Continued)

Primary Examiner — Khawaja Anwar
Assistant Examiner — Julice Seung Eun Oum
(74) *Attorney, Agent, or Firm* — ScienBiziP, P.C.

(57) **CLAIM**

The ornamental design for a trampoline, as shown and described.

DESCRIPTION

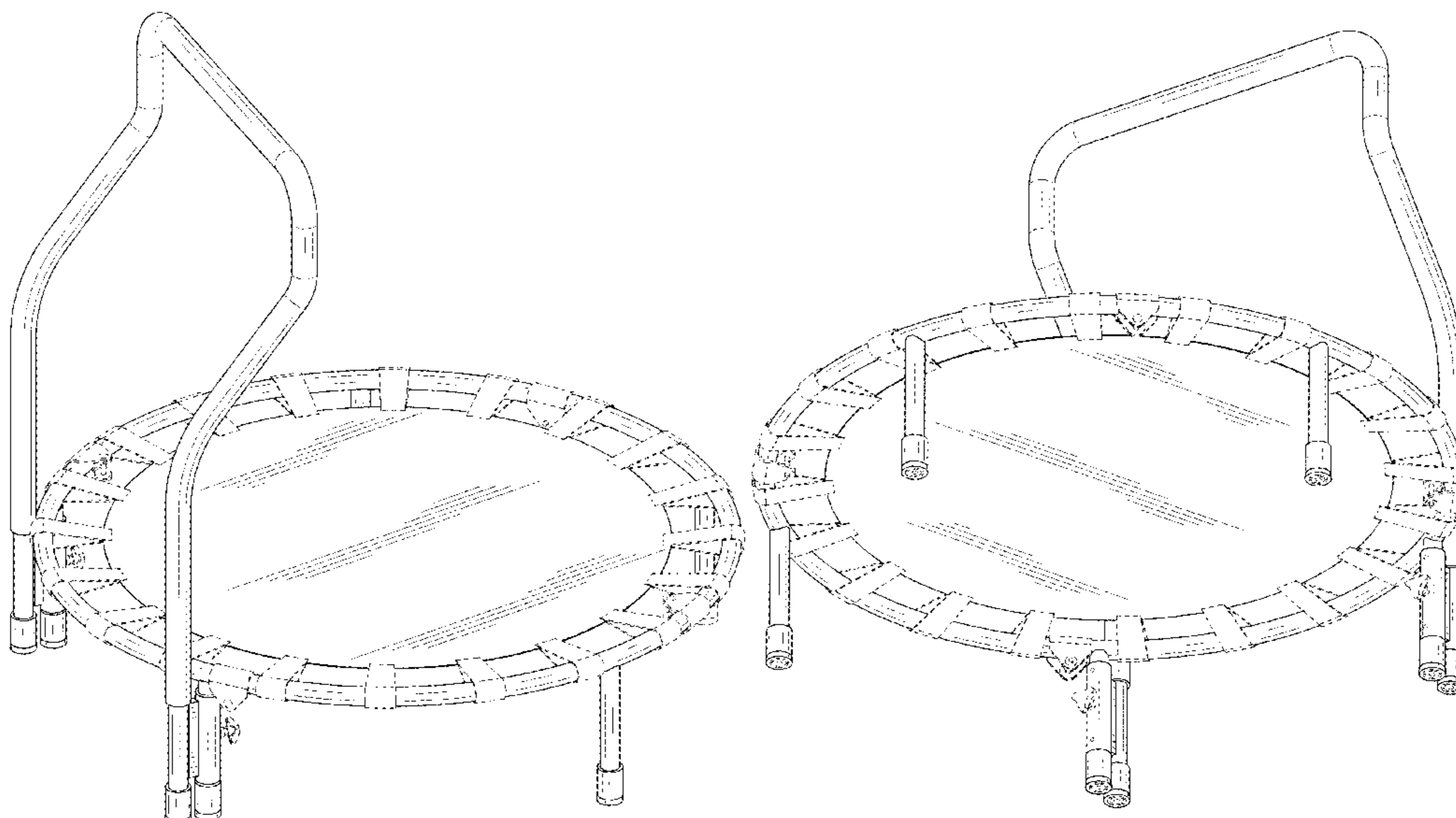
FIG. 1 is a front, right, and top perspective view of a trampoline, showing our design.
FIG. 2 is a rear, left, and bottom perspective view thereof.
FIG. 3 is a front elevation view thereof.
FIG. 4 is a rear elevation view thereof.
FIG. 5 is a left side elevation view thereof.
FIG. 6 is a right side elevation view thereof.
FIG. 7 is a top plan view thereof; and,
FIG. 8 is a bottom plan view thereof.
The broken lines shown in the drawings are included for the purpose of illustrating portions of the trampoline that form no part of the claimed design.

1 Claim, 8 Drawing Sheets

(56) **References Cited**

U.S. PATENT DOCUMENTS

4,598,905 A * 7/1986 Vrana A63B 5/11
482/27
6,237,169 B1 * 5/2001 Ying A63B 5/11
482/27
D504,711 S * 5/2005 Hsiung D21/797
D666,266 S * 8/2012 Publicover D21/797
D680,609 S * 4/2013 Publicover D21/797
D758,515 S * 6/2016 Tsai D21/797
D788,241 S * 5/2017 Ho D21/797
D788,868 S * 6/2017 Bisang D21/797
D842,411 S * 3/2019 Ji D21/797
D843,535 S * 3/2019 Kopf D21/797
D850,553 S * 6/2019 Kopf D21/797



(56)

References Cited

U.S. PATENT DOCUMENTS

D933,154 S * 10/2021 Chen D21/797
2013/0316876 A1 * 11/2013 Publicover A63B 5/11
482/27
2015/0080186 A1 * 3/2015 Carlin A63B 5/11
482/27
2016/0096056 A1 * 4/2016 de Boer A63B 5/11
482/27
2016/0256722 A1 * 9/2016 Tsai A63B 5/11
2017/0232288 A1 * 8/2017 Ho A63B 5/11
482/28
2018/0353789 A1 * 12/2018 Tseng A63B 1/00
2019/0151695 A1 * 5/2019 Sun A63B 5/11
2020/0023224 A1 * 1/2020 Publicover A63B 21/0557
2020/0330811 A1 * 10/2020 Zhou A63B 71/022

OTHER PUBLICATIONS

SereneLife, announced 2017[online], [site visited Nov. 15, 2021].
Available on internet, URL:<https://www.amazon.com/SereneLife-Portable-Foldable-Trampoline-Springfree/dp/B0778RX686/ref> (Year: 2017).*

SSline store, announced 2020[online], [site visited Nov. 15, 2021].
Available on internet, URL:<https://www.amazon.com/SSLIne-Trampoline-Handrail-Toddler-Exercise/dp/B086QHNVRT/ref> (Year: 2020).*

* cited by examiner

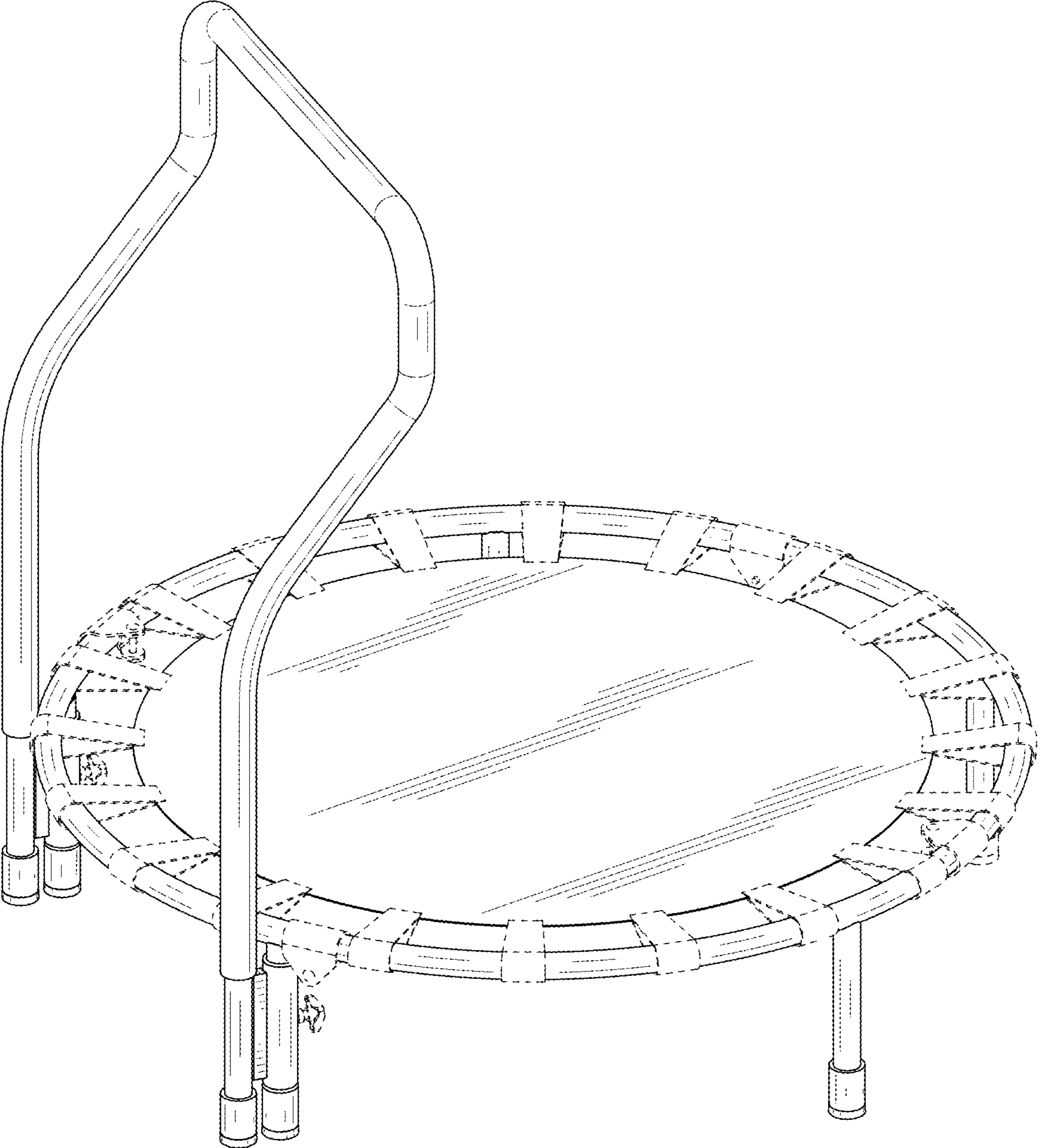


FIG. 1

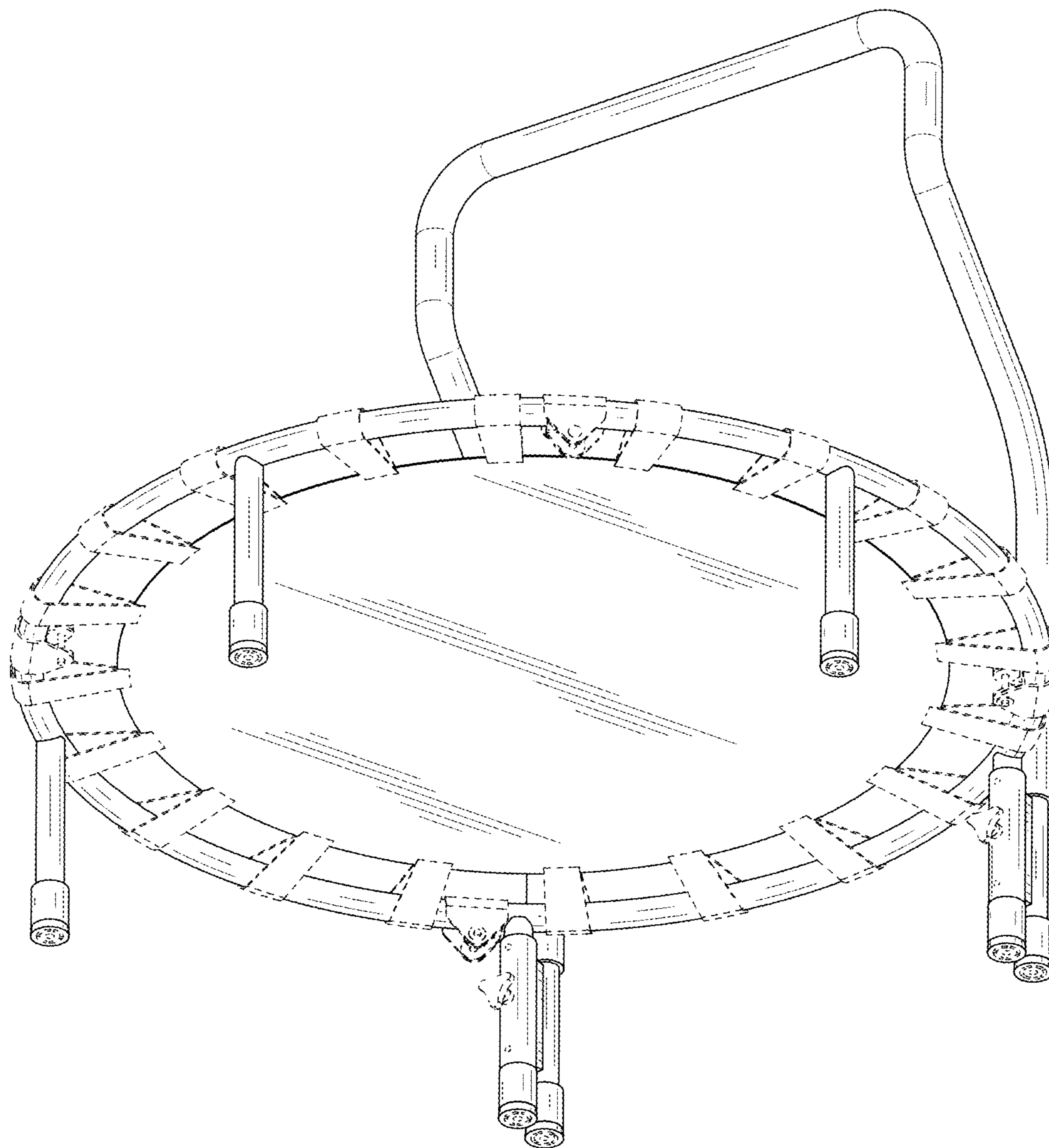


FIG. 2

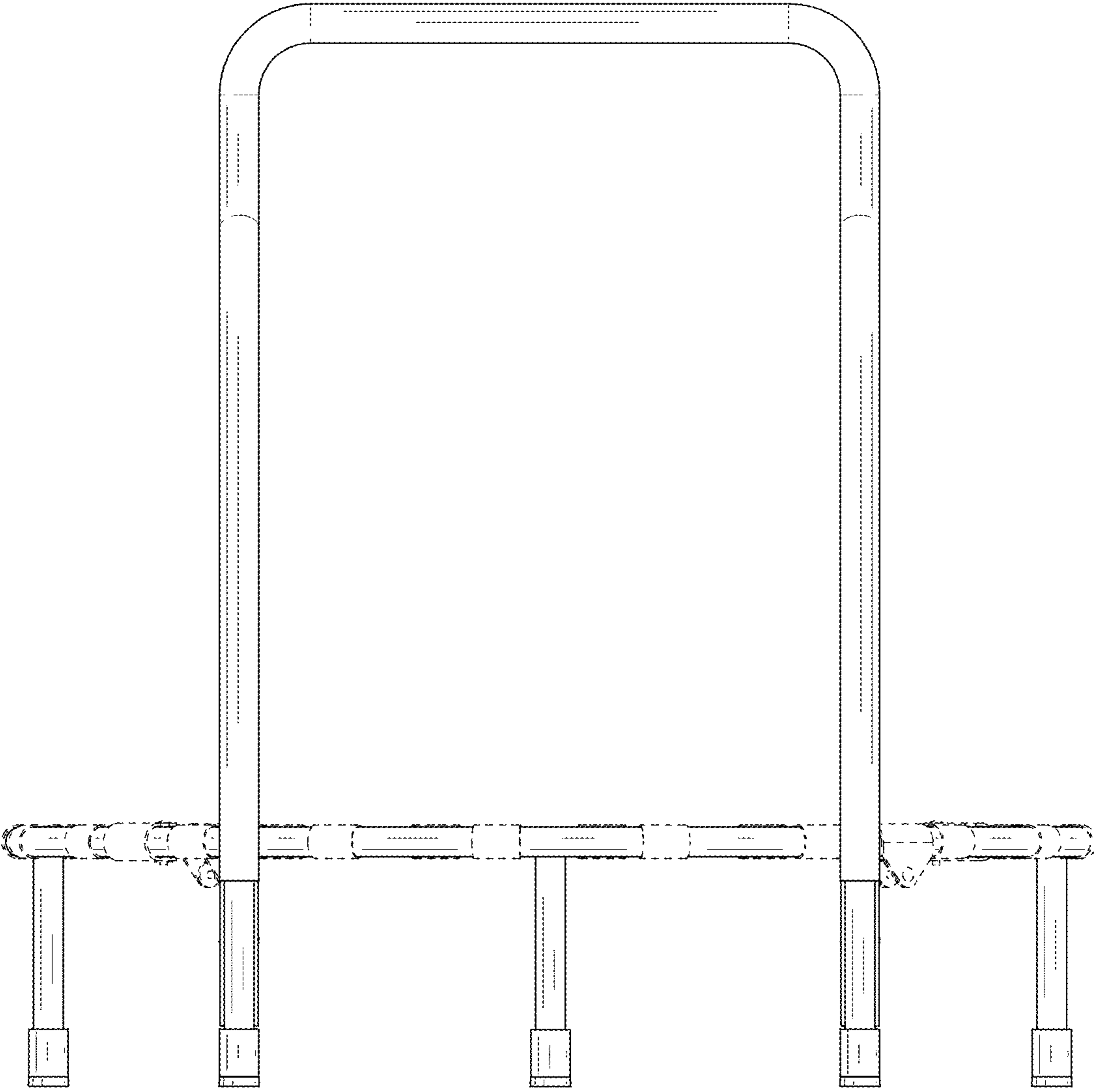


FIG. 3

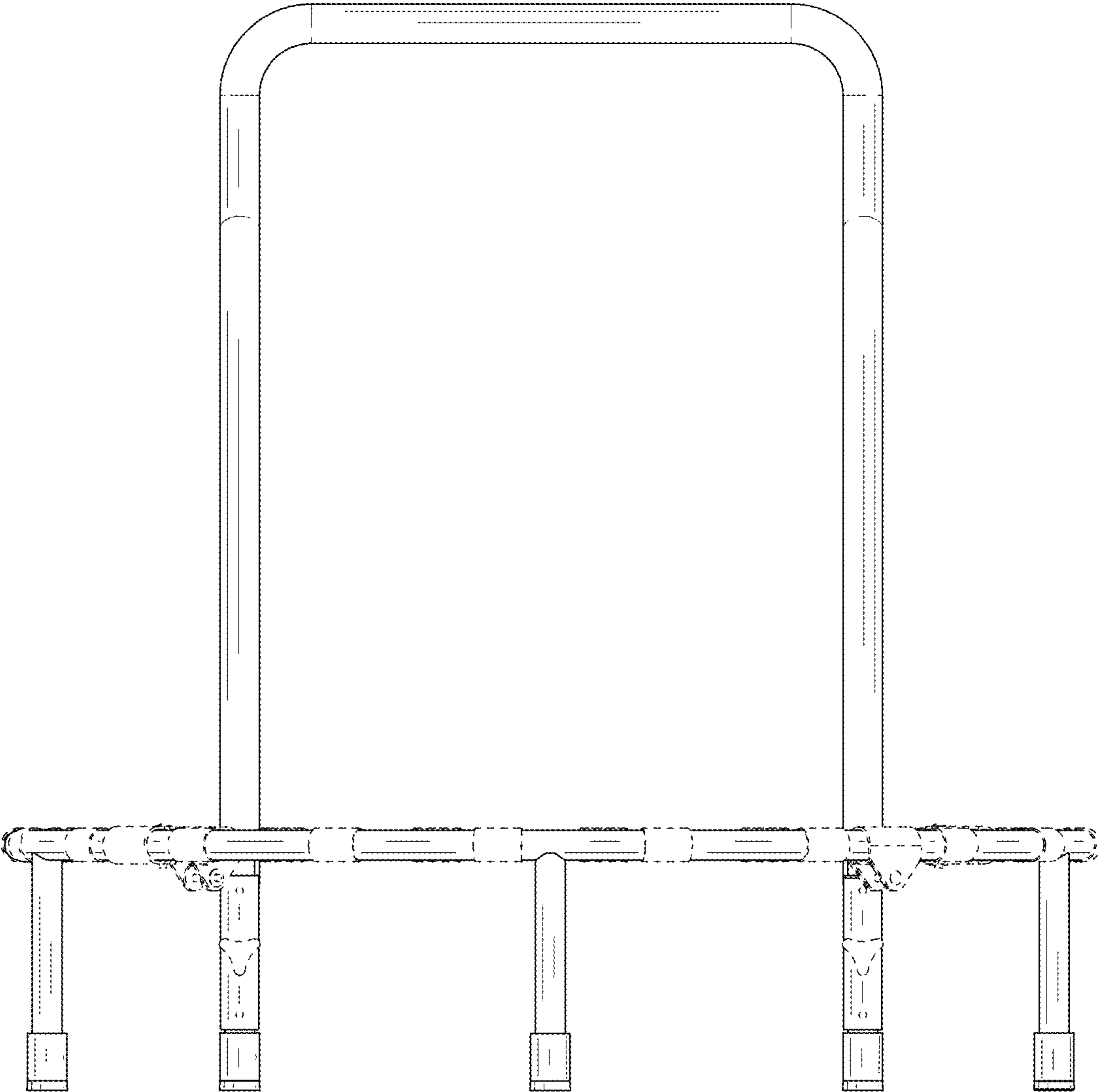


FIG. 4

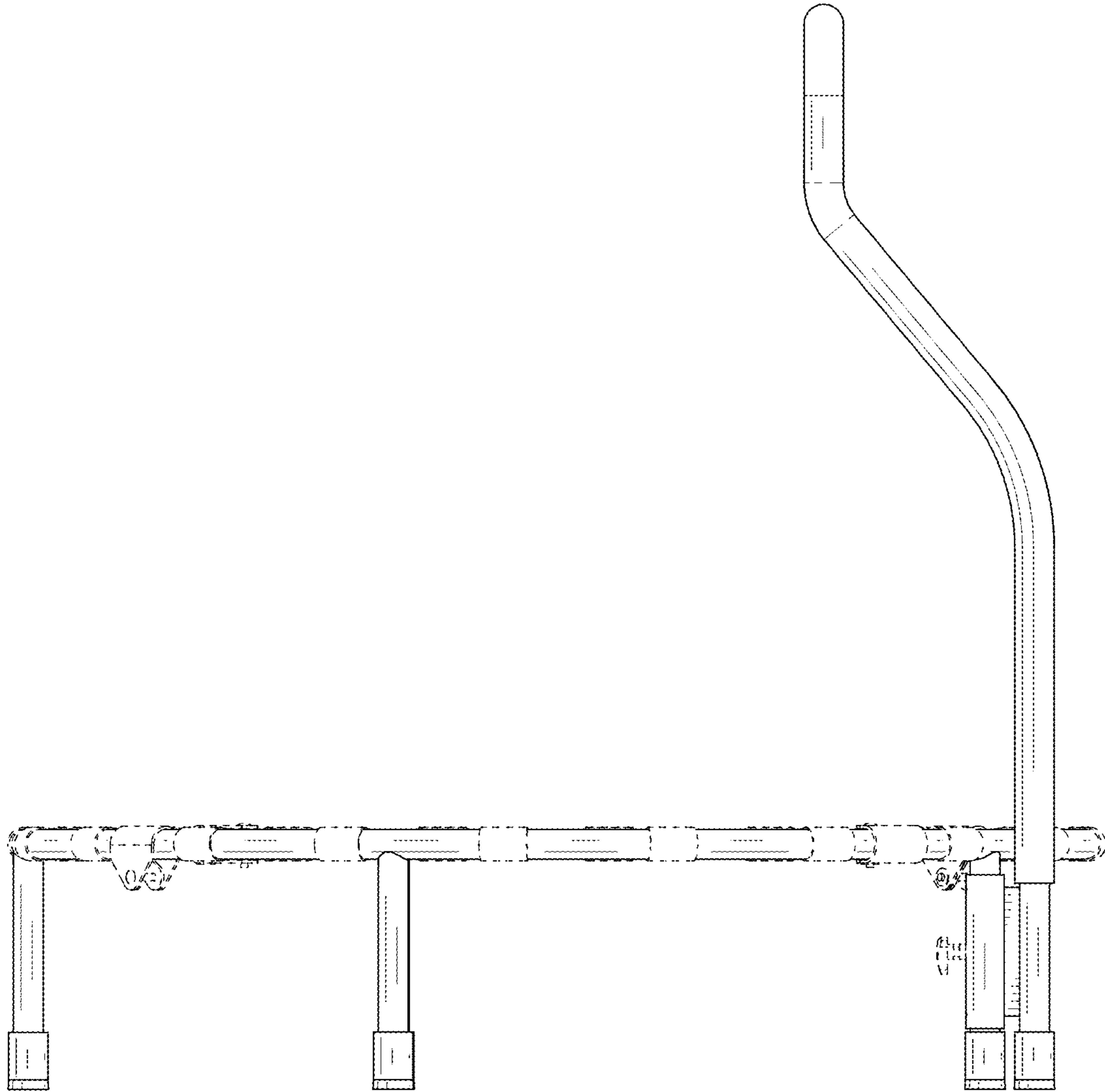


FIG. 5

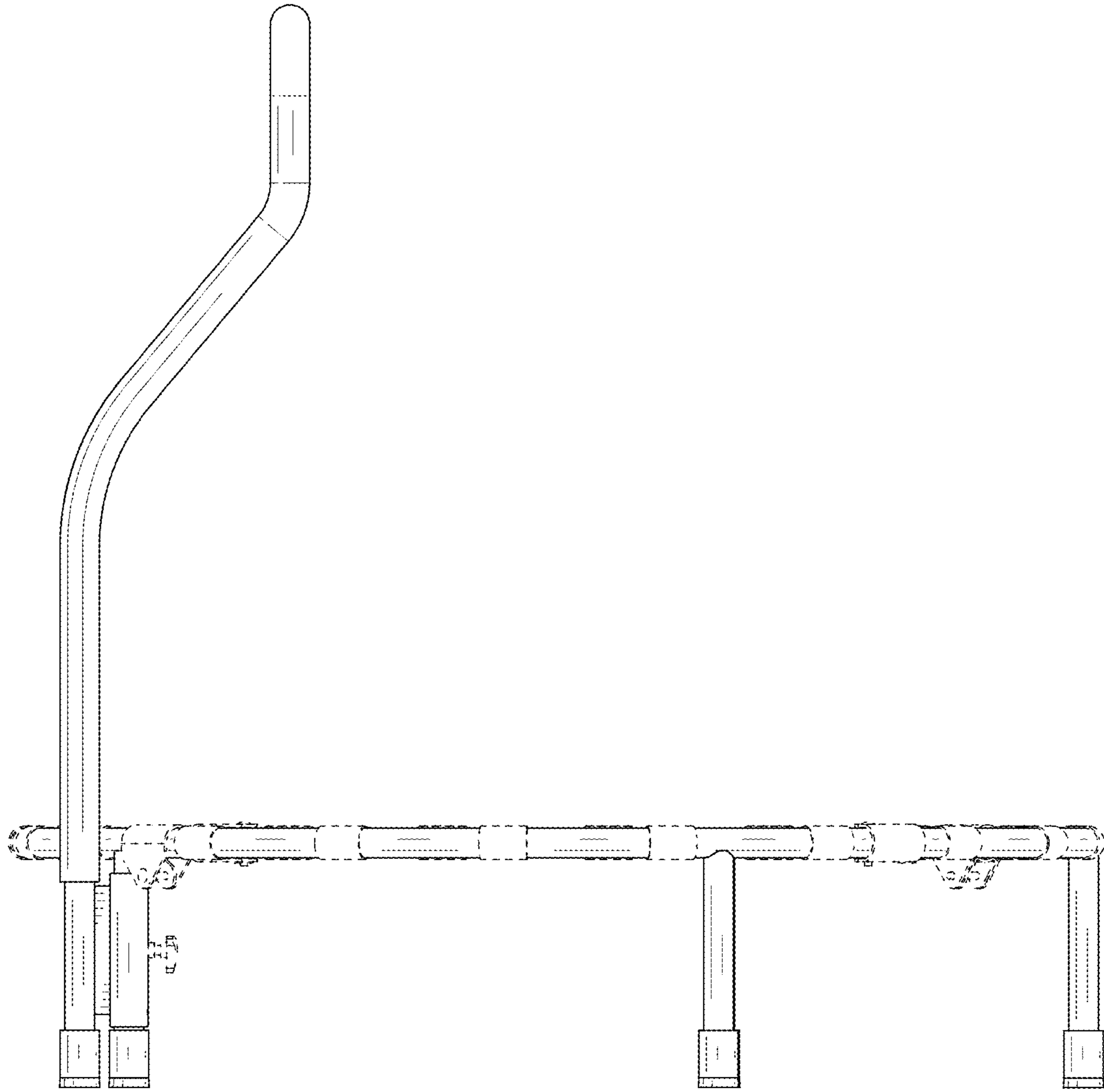


FIG. 6

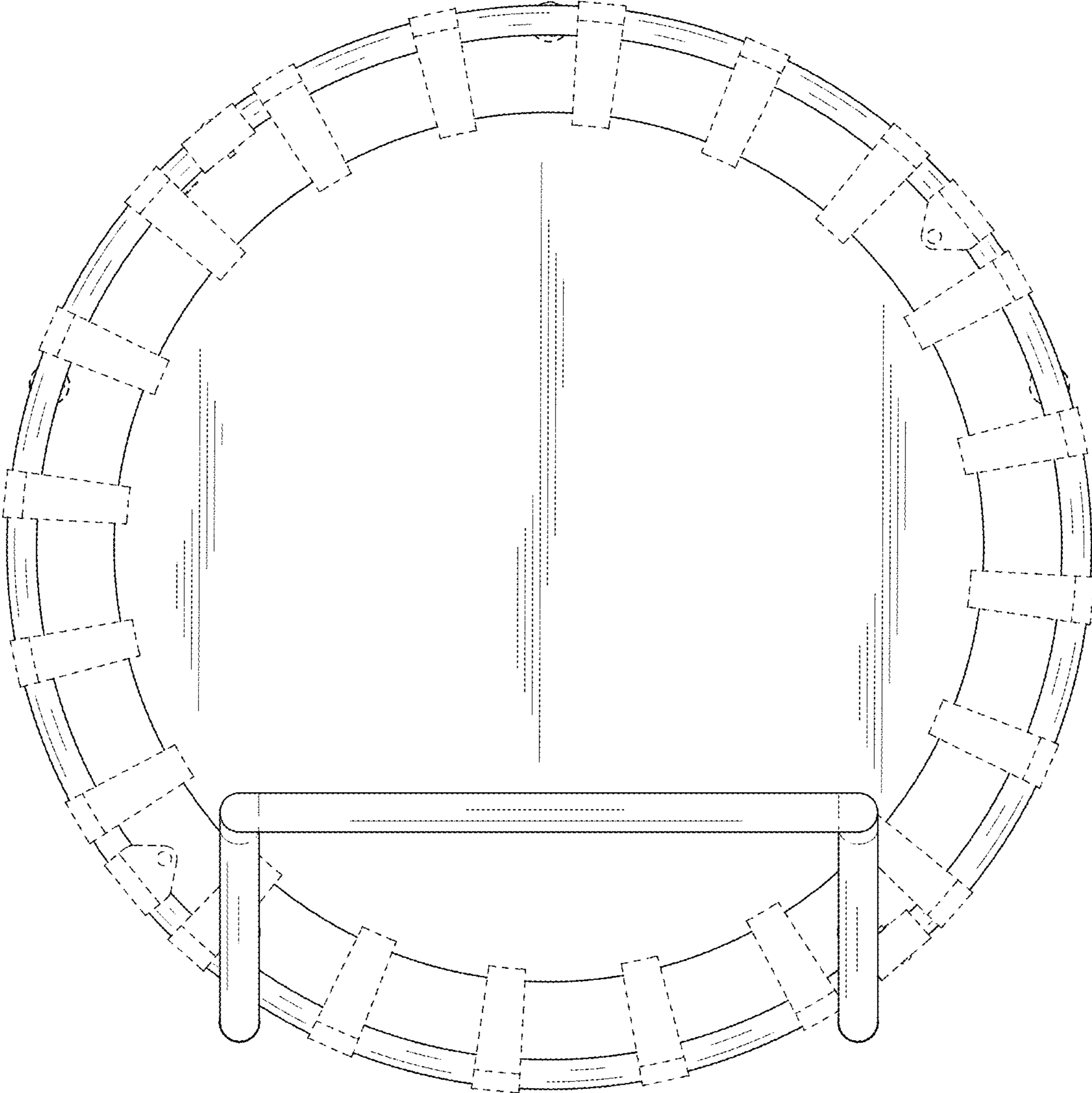


FIG. 7

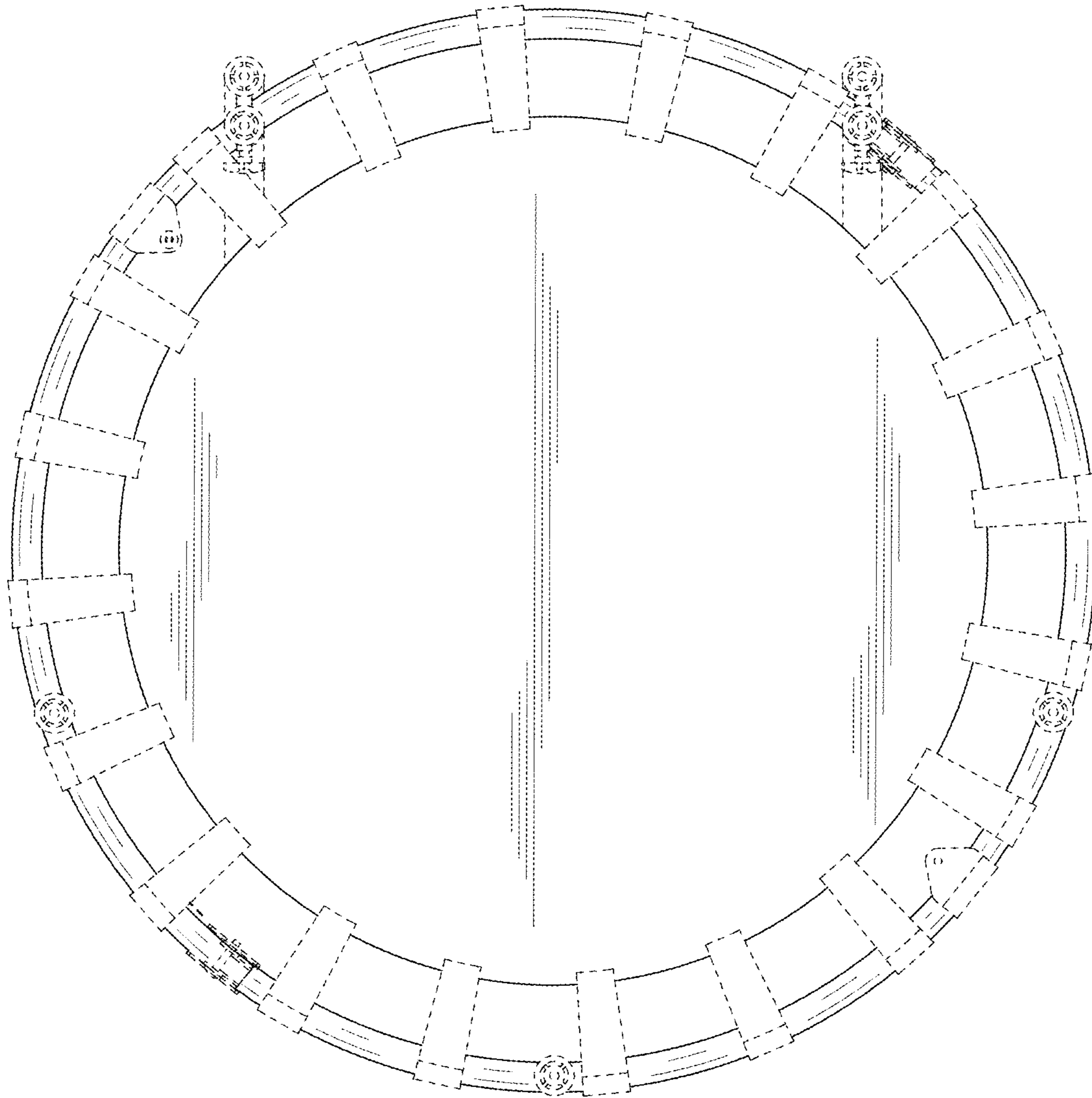


FIG. 8