



US00D944336S

(12) **United States Design Patent**
Ren

(10) **Patent No.:** **US D944,336 S**

(45) **Date of Patent:** **** Feb. 22, 2022**

(54) **WATER GUN**

(71) Applicant: **Shuai Ren**, Guangdong (CN)

(72) Inventor: **Shuai Ren**, Guangdong (CN)

(**) Term: **15 Years**

(21) Appl. No.: **29/775,681**

(22) Filed: **Mar. 24, 2021**

(30) **Foreign Application Priority Data**

Feb. 8, 2021 (CN) 202130091002.7

(51) **LOC (13) Cl.** **21-01**

(52) **U.S. Cl.**
USPC **D21/572**

(58) **Field of Classification Search**
USPC D21/333, 570, 573-575; D14/418
CPC F41B 7/00; F41B 7/003; F41B 7/08; F41B
9/00; F41B 9/0078; F41B 9/0081; F41B
11/89; A63H 5/04

See application file for complete search history.

(56) **References Cited**

U.S. PATENT DOCUMENTS

D434,458 S	*	11/2000	Hornsby	D21/572
D557,355 S	*	12/2007	Higuchi	D21/572
D639,352 S	*	6/2011	Chan	D21/572
D660,920 S	*	5/2012	Johnson	D21/572
D660,921 S	*	5/2012	Johnson	D21/572
D660,926 S	*	5/2012	Mastin	D21/573
D903,789 S	*	12/2020	Zheng	D21/572

2005/0167441 A1* 8/2005 Zimmerman F41B 9/0028
222/79
2021/0102769 A1* 4/2021 DeRoche F41B 11/643

* cited by examiner

Primary Examiner — Cynthia M. Chin

(74) *Attorney, Agent, or Firm* — ScienBiziP, P.C.

(57) **CLAIM**

The ornamental design for a water gun, as shown and described.

DESCRIPTION

FIG. 1 is a front, left, and top perspective view of a water gun, showing my design.

FIG. 2 is a rear, right, and bottom perspective view thereof.

FIG. 3 is a front elevation view thereof.

FIG. 4 is a rear elevation view thereof.

FIG. 5 is a left side elevation view thereof.

FIG. 6 is a right side elevation view thereof.

FIG. 7 is a top plan view thereof.

FIG. 8 is a bottom plan view thereof.

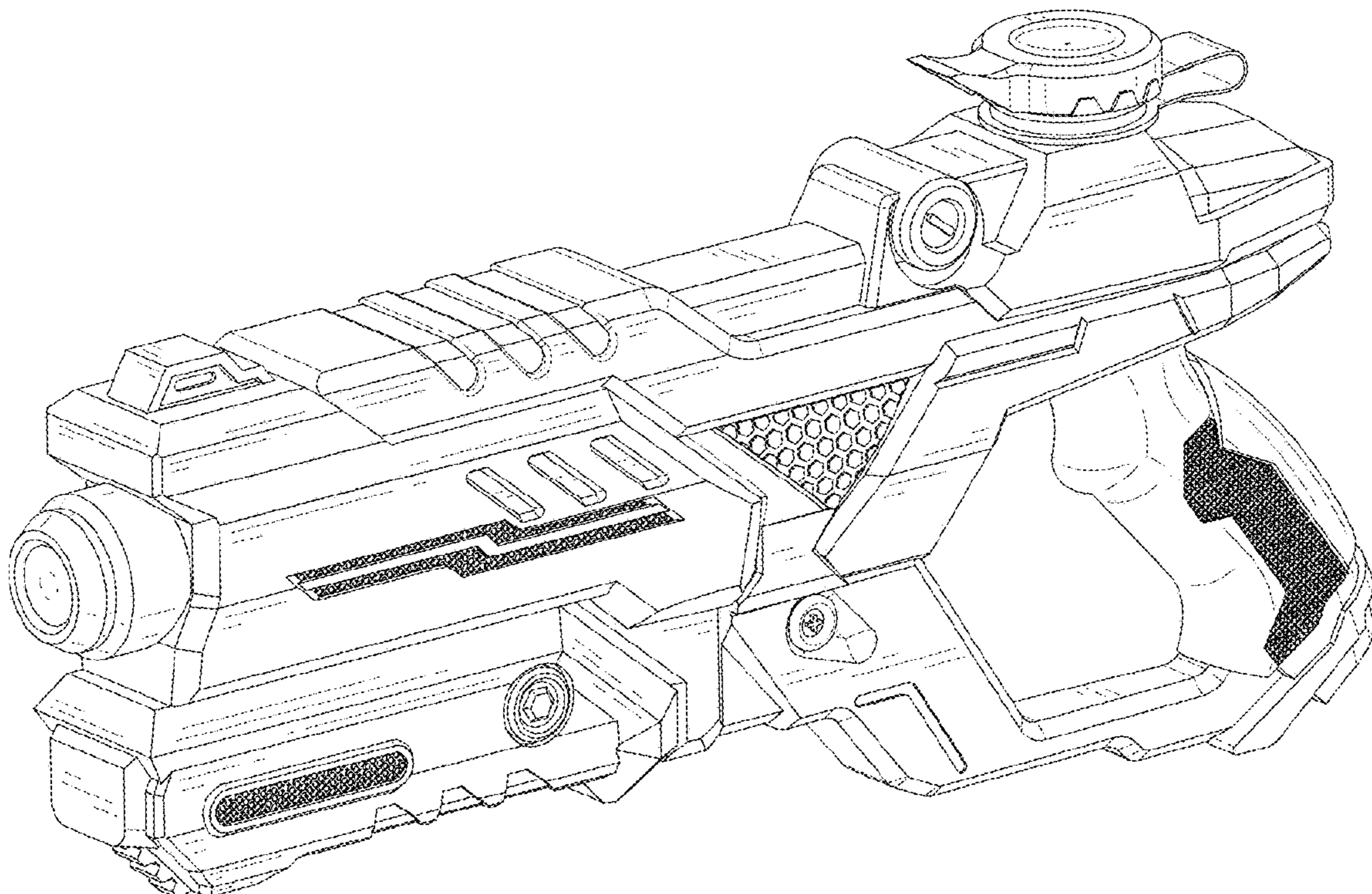
FIG. 9 is a partial enlarged view of an area taken from the left side of FIG. 1 showing the honeycomb detail.

FIG. 10 is a partial enlarged view of an area in taken from the right side of FIG. 1 comprising a grip handle; and,

FIG. 11 is a partial enlarged view of an area taken from the right side of FIG. 2 showing the honeycomb detail.

The broken lines shown in the drawings are included for the purpose of illustrating portions of the water gun that form no part of the claimed design. The dash-dot broken lines represent the boundaries of the enlarged partial views of FIGS. 9-11 and form no part of the claimed design.

1 Claim, 11 Drawing Sheets



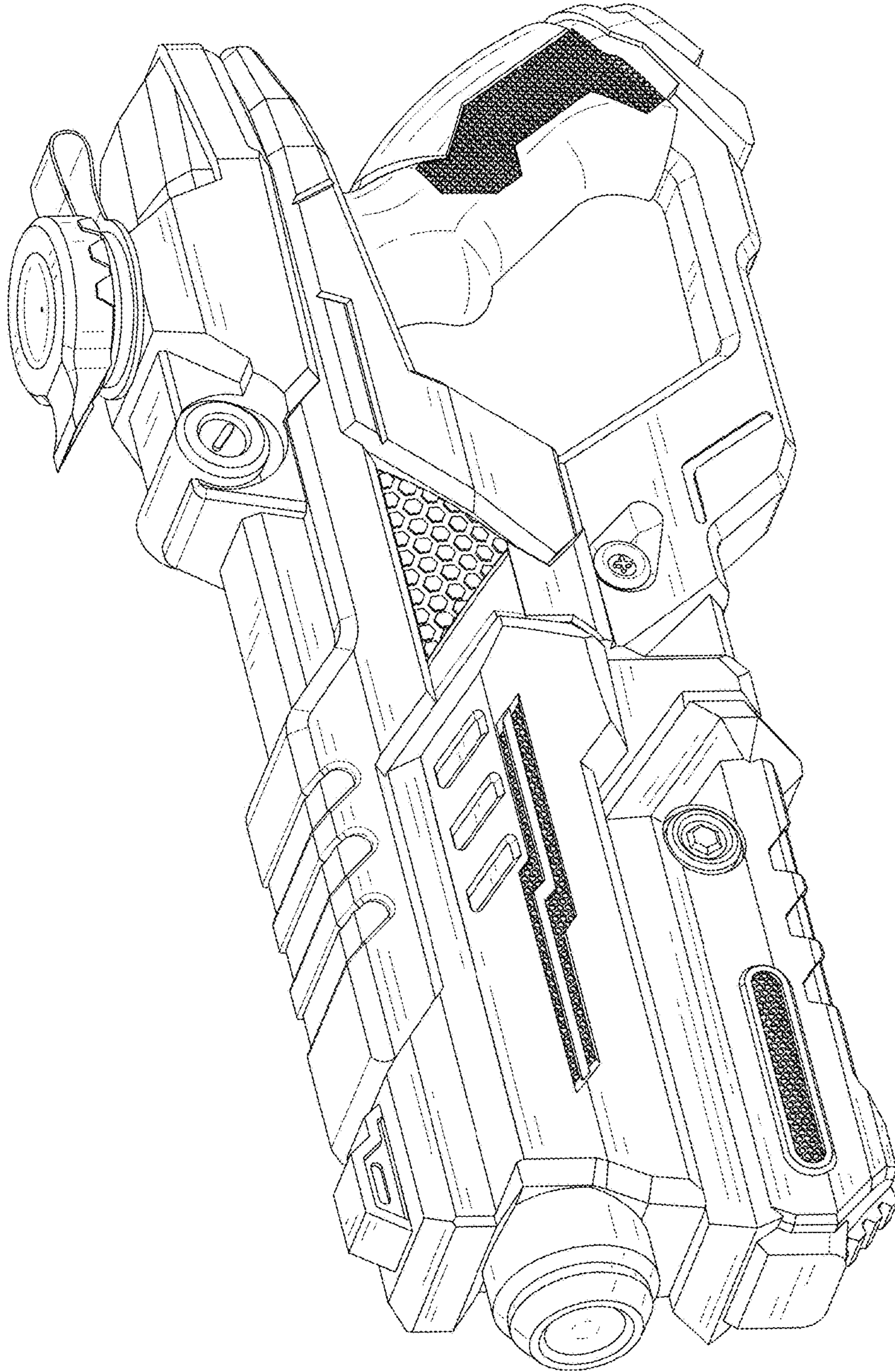


FIG. 1

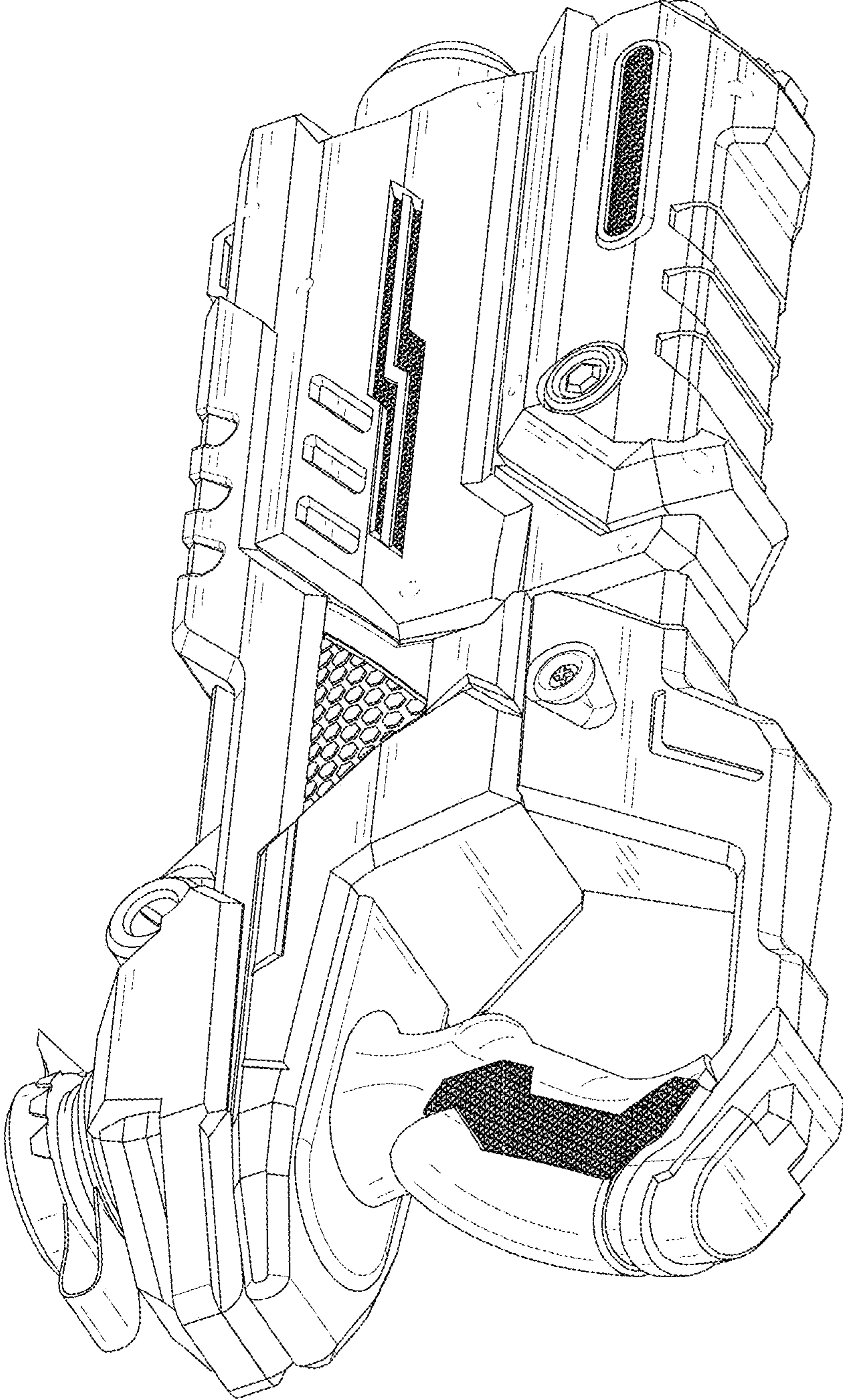


FIG.2

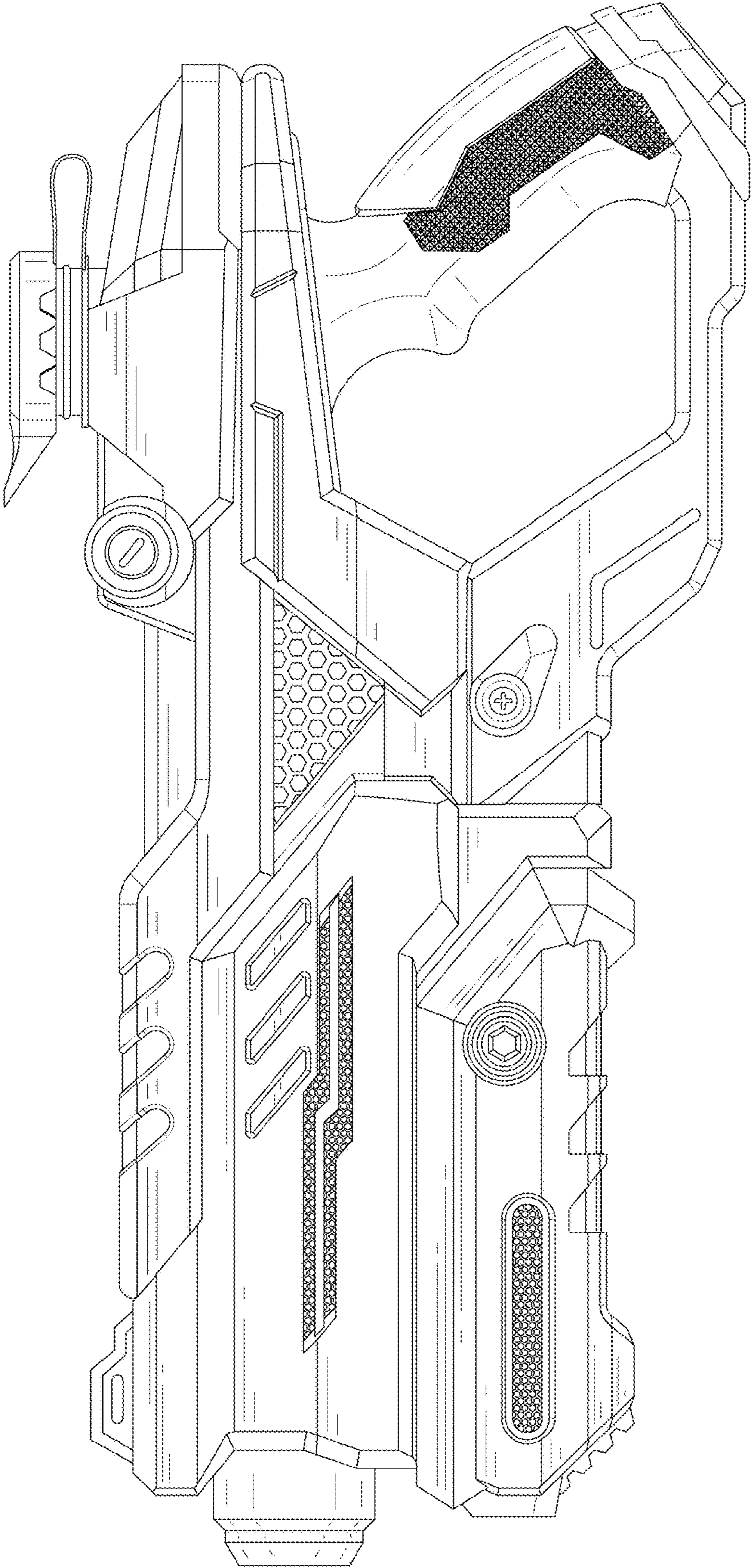


FIG.3

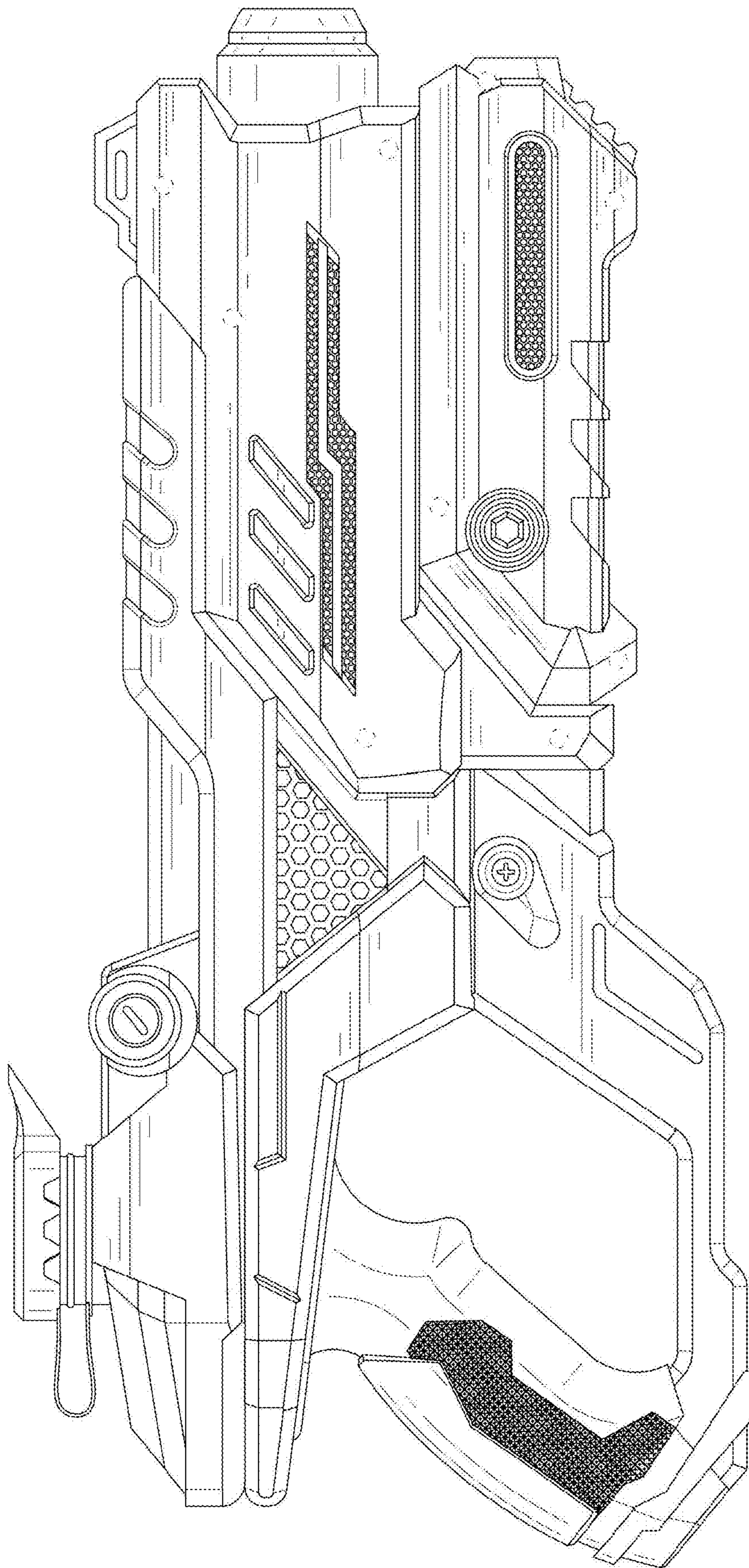


FIG.4

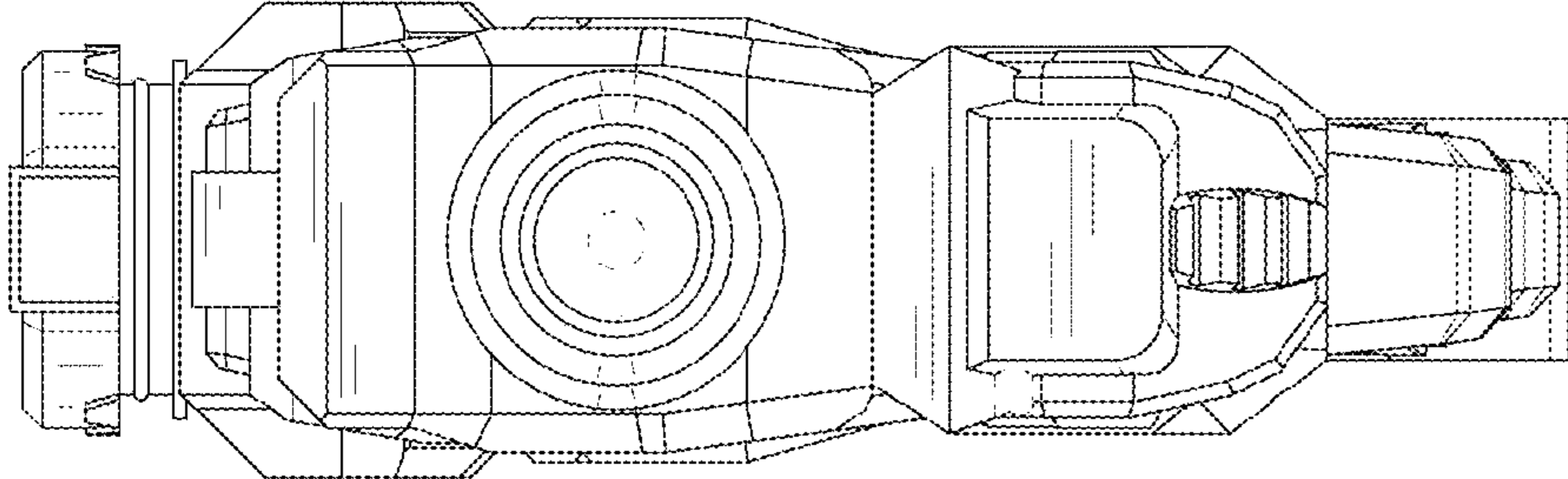


FIG.5

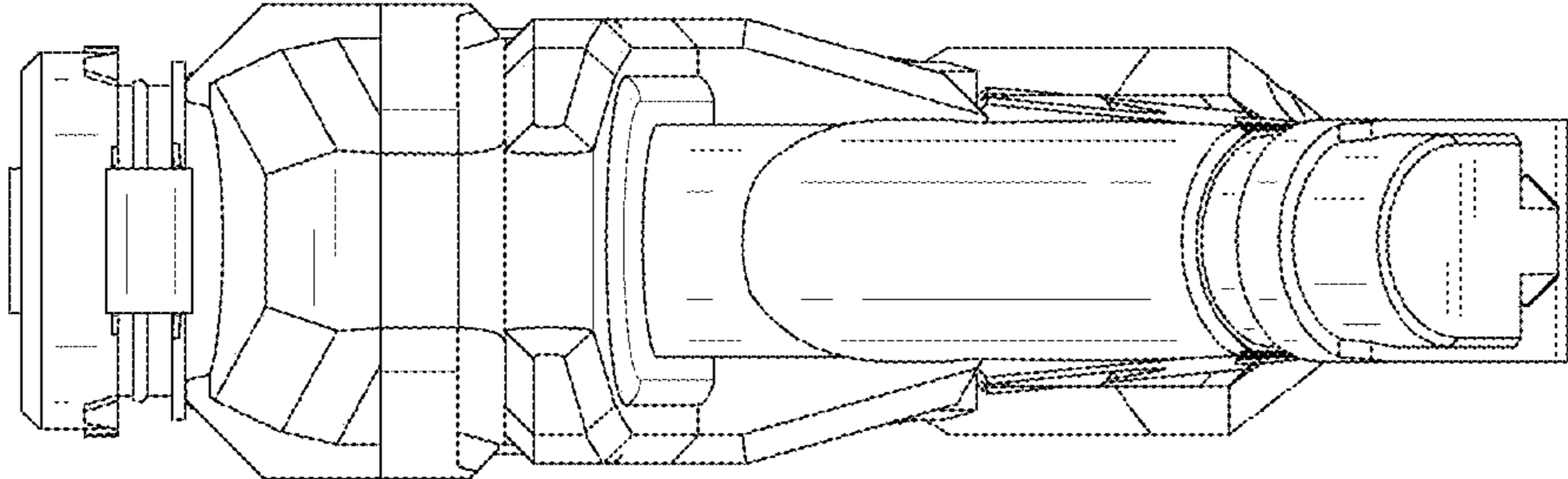


FIG.6

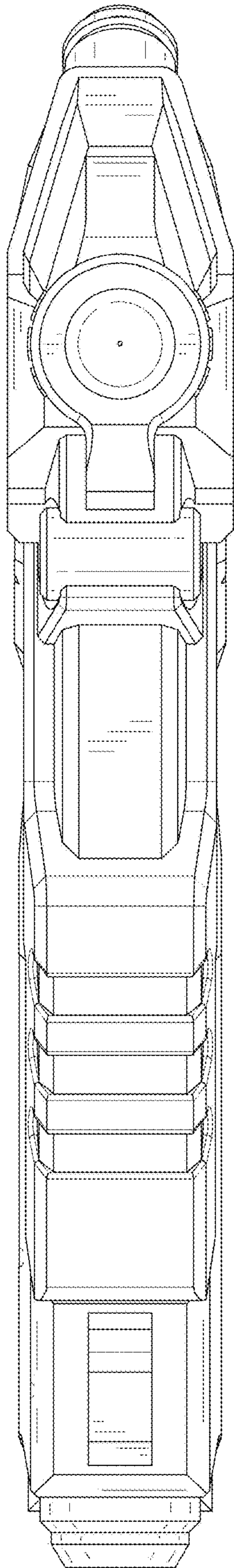


FIG.7

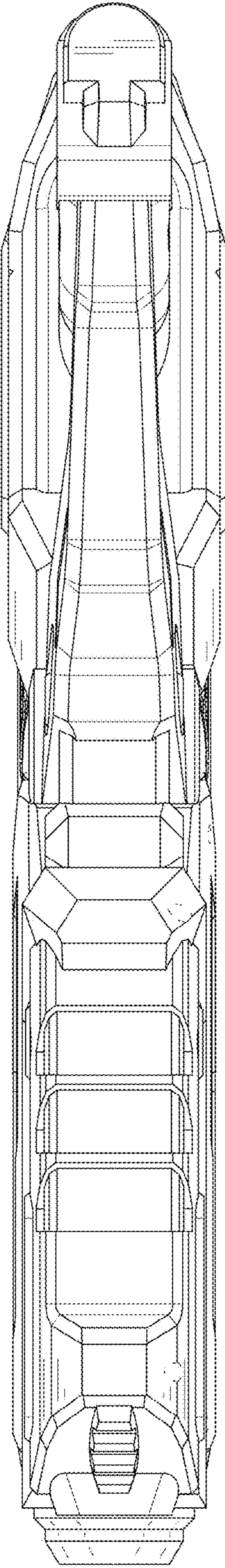


FIG. 8

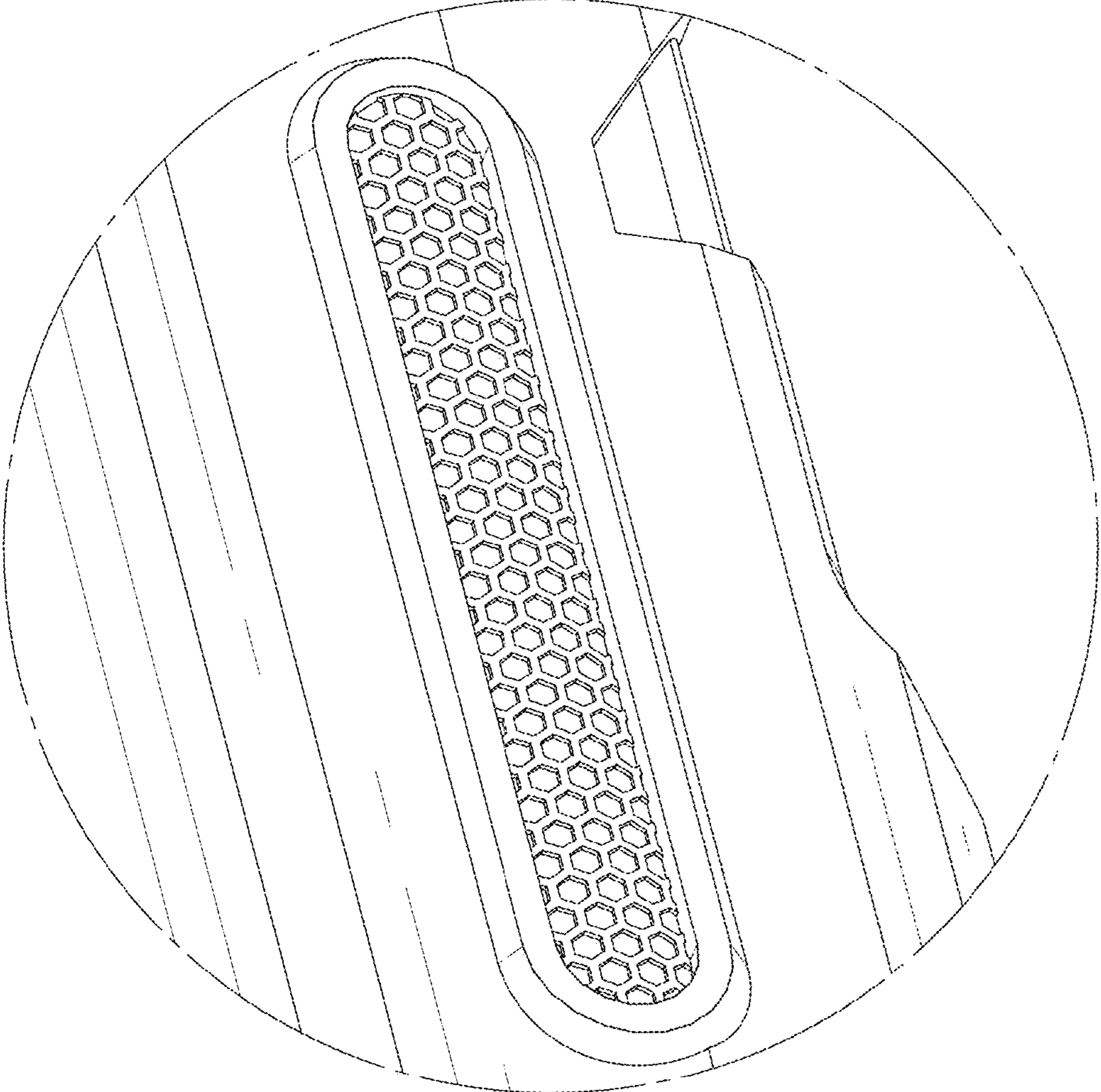


FIG.9

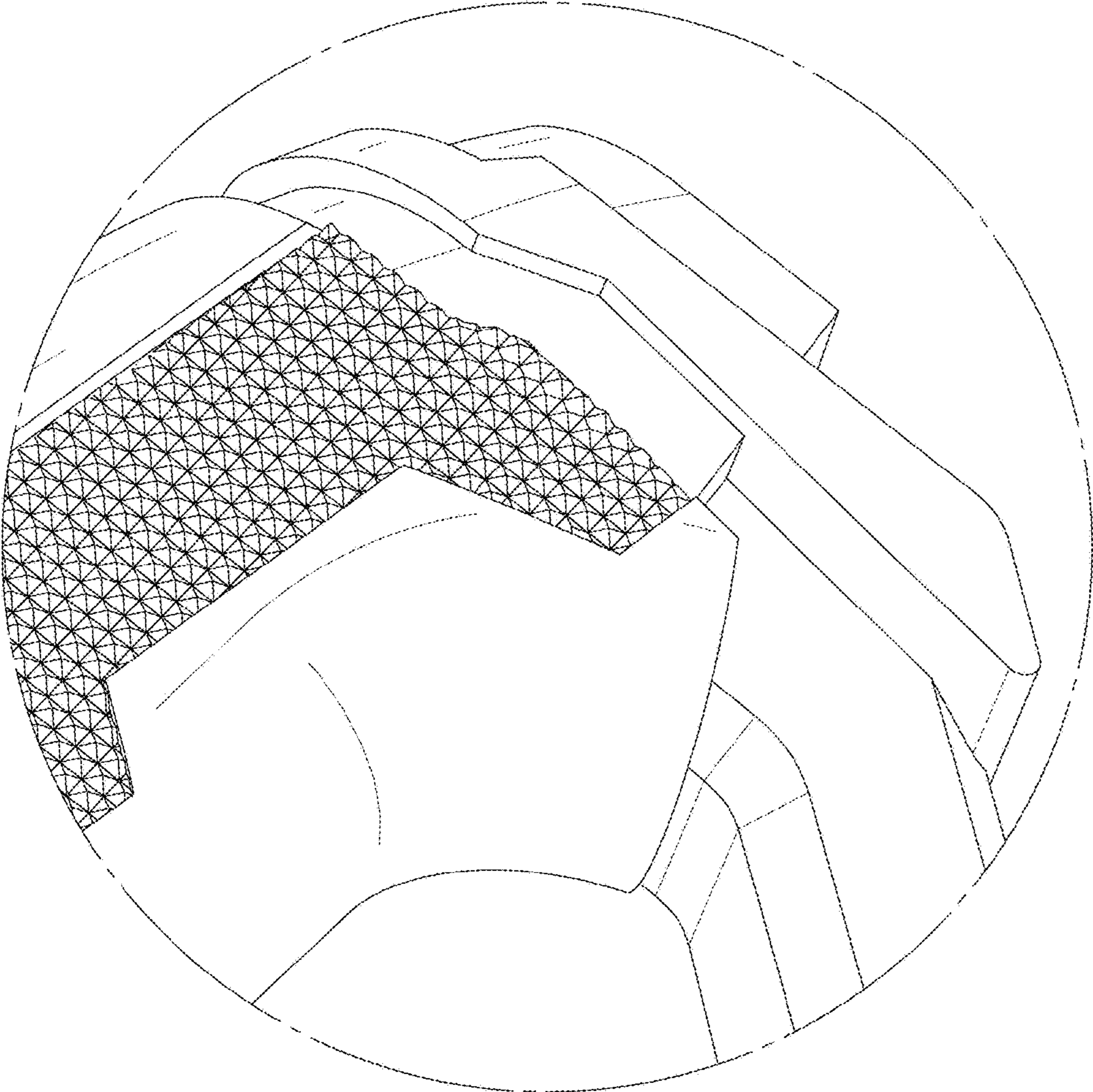


FIG.10

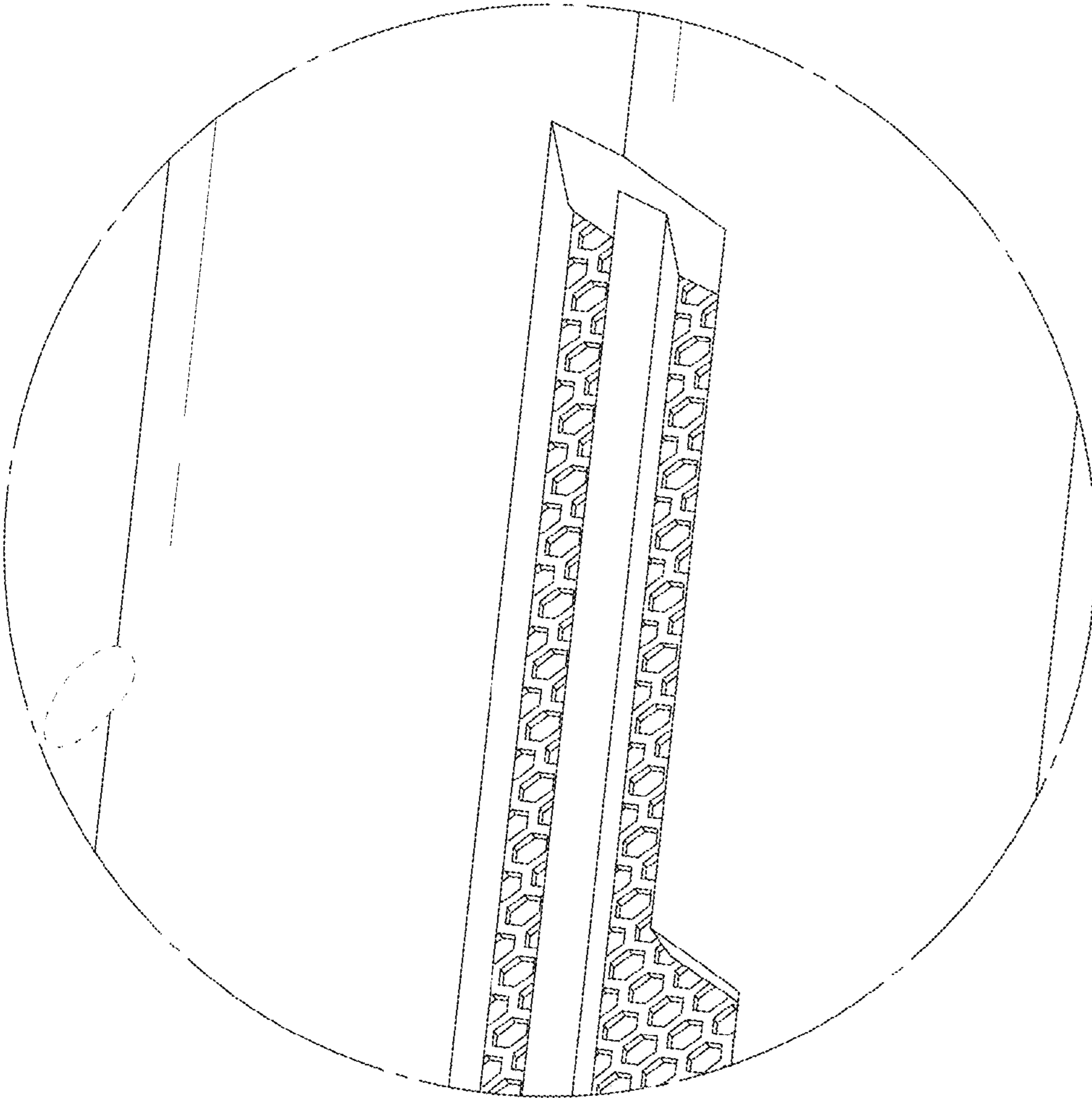


FIG.11