



US00D944335S

(12) **United States Design Patent**
Sprowl

(10) **Patent No.:** **US D944,335 S**

(45) **Date of Patent:** **** Feb. 22, 2022**

(54) **MODEL VEHICLE WHEEL**

(71) Applicant: **TRAXXAS LP**, McKinney, TX (US)

(72) Inventor: **Jory Sprowl**, Honey Grove, TX (US)

(73) Assignee: **TRAXXAS LP**, McKinney, TX (US)

(**) Term: **15 Years**

(21) Appl. No.: **29/713,031**

(22) Filed: **Nov. 13, 2019**

(51) **LOC (13) Cl.** **21-01**

(52) **U.S. Cl.**
USPC **D21/563**

(58) **Field of Classification Search**

USPC D21/563, 533, 548, 549, 550; D12/204,
D12/207-212

CPC A63H 17/262; B60B 21/00; B60B 5/00;
B60B 5/02; B60B 7/00; B60B 7/01;
B60B 7/02; B60B 7/04; B60B 7/06;
B60B 3/02;

(Continued)

(56) **References Cited**

U.S. PATENT DOCUMENTS

1,978,026 A * 10/1934 Miller B60B 1/00
301/6.7
2,731,301 A * 1/1956 Lyon B60B 7/04
301/37.31

(Continued)

FOREIGN PATENT DOCUMENTS

CN 304967598 * 12/2018 B60G 7/001
CN 305062663 3/2019

(Continued)

OTHER PUBLICATIONS

“Hot Rods by Boyd,” Apr. 13, 2015, facebook.com, site visited Dec. 14, 2021, URL: <https://www.facebook.com/HOTRODSBYBOYD/photos/810287932358862> (Year: 2015).*

(Continued)

Primary Examiner — Eric L Goodman

Assistant Examiner — Sarah L Smith

(74) *Attorney, Agent, or Firm* — Daryl R. Wright; Greg Carr

(57) **CLAIM**

I claim the ornamental design for a model vehicle wheel, as shown and described.

DESCRIPTION

FIG. 1 is an upper, left, front perspective view of a model vehicle wheel;

FIG. 2 is a front plan elevation view thereof;

FIG. 3 is a left side elevation view thereof;

FIG. 4 is a right side elevation view thereof;

FIG. 5 is a top plan elevation view thereof;

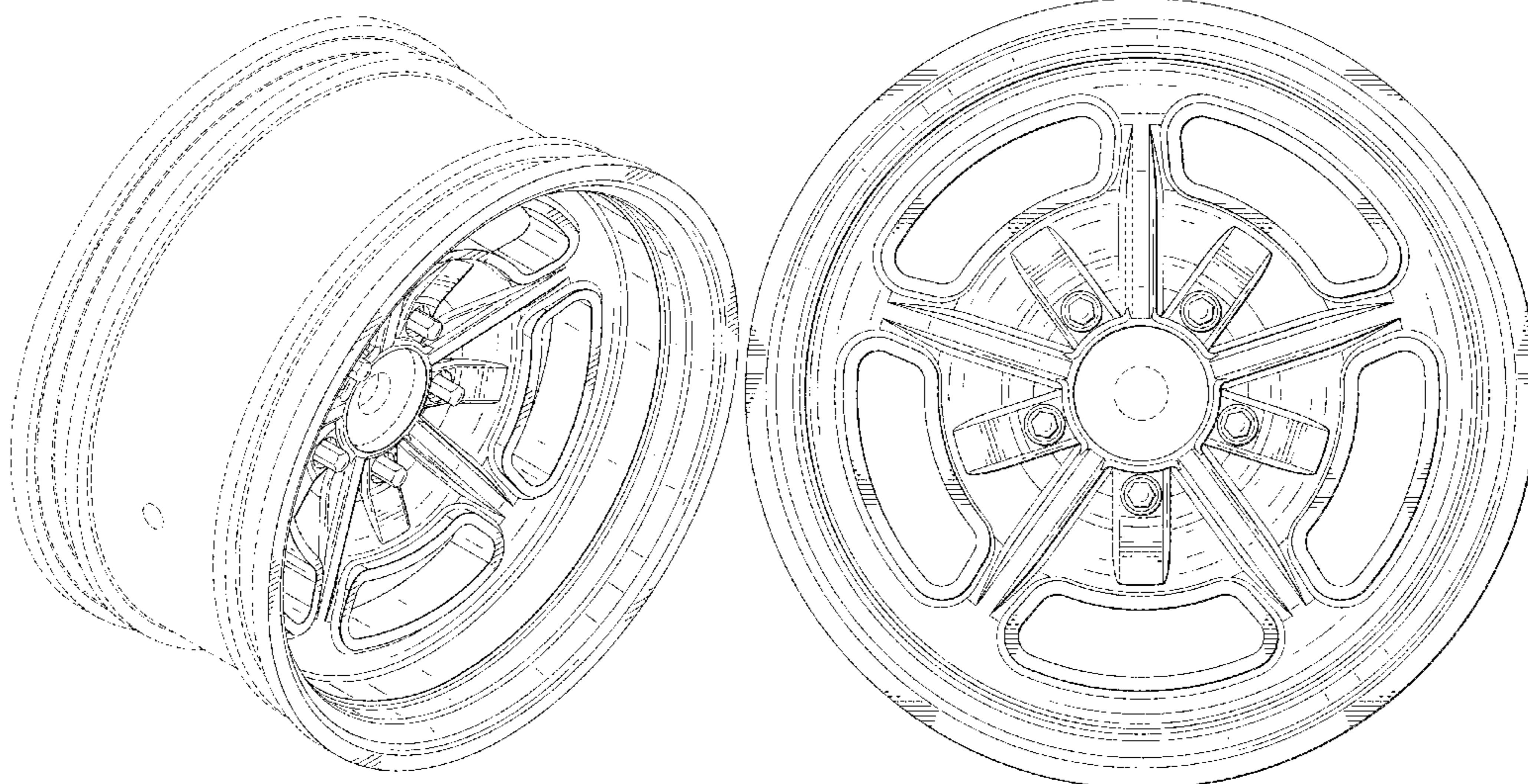
FIG. 6 is an upper, right, rear perspective view thereof; and,

FIG. 7 is an upper, right, front perspective environmental use view of the model vehicle wheel.

In the drawings, the broken line showing of features of the model vehicle wheel illustrate portions of the model vehicle wheel that form no part of the claimed design; whereas, the broken line showing of the environmental use view depicts environmental subject matter and is provided for the purposes of illustrating environmental use structure and context and also forms no part of the claimed design.

In the drawings, only the front plan elevation view and top plan elevation view of the model vehicle wheel are shown for the purposes of illustrating the claimed model vehicle wheel. The respective rear plan elevation view and bottom plan elevation view are mirror images of their corresponding front plan elevation view and top plan elevation view of the model vehicle wheel and were not provided due to this redundancy.

1 Claim, 7 Drawing Sheets



(58) **Field of Classification Search**
 CPC B60B 3/04; B60B 3/06; B60B 3/10; B60B
 1/00; B60B 1/08; B60B 1/10; B60B 1/12
 See application file for complete search history.

(56) **References Cited**

U.S. PATENT DOCUMENTS

D206,873 S * 2/1967 Reid D12/211
 D207,951 S * 6/1967 Hibbard D12/211
 D221,934 S * 9/1971 Main D12/209
 D223,534 S * 5/1972 Reid D12/209
 D225,842 S * 1/1973 Clement D12/209
 D226,376 S * 2/1973 Main D12/209
 D237,067 S * 10/1975 Sandberg D12/211
 D285,676 S * 9/1986 Clark D12/209
 D316,731 S 5/1991 Tsuchiya
 D420,637 S 2/2000 Glade
 6,089,671 A * 7/2000 Iacovelli B60B 7/18
 301/37.101
 D444,118 S 6/2001 Chung
 D459,689 S 7/2002 Hieke
 D466,067 S 11/2002 Muzzarelli
 D469,728 S 2/2003 Kataoka
 D470,449 S 2/2003 Bemoni
 D481,982 S 11/2003 Takechi
 D483,313 S * 12/2003 Lenz D12/209
 D488,760 S * 4/2004 Kato D12/209
 D492,234 S 6/2004 Kataoka
 D499,683 S 12/2004 Kushartanto
 D500,006 S 12/2004 Cahyono
 D504,650 S 5/2005 Ishiwata
 D513,218 S 12/2005 Fitzgerald
 D524,216 S 7/2006 Scheu
 D530,757 S 10/2006 Jones
 D534,968 S 1/2007 Proch
 D536,293 S 2/2007 Brouillette et al.
 D539,203 S 3/2007 Danbom et al.
 D542,729 S * 5/2007 Hieke D12/211
 D543,493 S 5/2007 Kim
 D546,264 S 7/2007 Young
 D569,778 S 5/2008 Kim
 D570,758 S 6/2008 Bhambra
 D579,398 S 10/2008 Kim
 D583,292 S 12/2008 Chung
 D587,181 S 2/2009 Musser
 D590,315 S * 4/2009 Chung D12/209
 D590,322 S 4/2009 Rak
 D597,012 S 7/2009 Chung
 D603,778 S 11/2009 Chung
 D614,108 S 4/2010 Varga
 D617,722 S 6/2010 Zhao
 D619,072 S 7/2010 Gallert
 D620,864 S 8/2010 Groom
 D627,698 S 11/2010 Zhang
 D628,135 S 11/2010 Zhao
 D633,028 S 2/2011 Kim
 D636,319 S 4/2011 Toth
 D639,220 S 6/2011 Zhao
 D639,221 S * 6/2011 Johnson D12/209
 D662,868 S 7/2012 Furst et al.
 D663,668 S 7/2012 Pollmann
 D670,227 S 11/2012 Chung
 D671,875 S 12/2012 Camacho et al.
 D688,188 S 8/2013 Baum
 D697,008 S 1/2014 Juergens et al.
 D697,010 S 1/2014 Lorinser
 D719,893 S 12/2014 Kim
 D722,937 S * 2/2015 Johnson D12/209
 D725,567 S 3/2015 George et al.
 D726,620 S * 4/2015 Licklitter D12/209
 D727,822 S 4/2015 Wheel
 D727,829 S 4/2015 Chung
 D729,721 S 5/2015 Fahr-Becker
 D730,799 S 6/2015 Hans et al.
 D733,025 S 6/2015 Chung
 D741,240 S 10/2015 Melabiotis et al.

D743,315 S 11/2015 Perini
 D753,048 S 4/2016 Chan
 D753,571 S 4/2016 Juergens et al.
 D769,169 S 10/2016 Kumeya et al.
 D769,785 S 10/2016 Wells
 D775,576 S 1/2017 Liffick
 D780,654 S 3/2017 Gallert
 D780,656 S 3/2017 Bjerke
 D784,238 S 4/2017 Chu et al.
 D784,462 S 4/2017 Barajas et al.
 D787,407 S 5/2017 Chung
 D788,670 S * 6/2017 Chung D12/209
 D790,427 S 6/2017 Palana
 D791,057 S 7/2017 Johnson
 D791,668 S 7/2017 Murase
 D796,407 S 9/2017 Krause
 D797,029 S 9/2017 Chung
 D799,394 S 10/2017 Yamashita
 D801,253 S * 10/2017 Taylor B60B 7/18
 D12/211
 D802,685 S 11/2017 Barajas et al.
 D803,130 S 11/2017 Taylor
 D805,455 S 12/2017 Kong
 D805,990 S 12/2017 Mizutani
 D806,628 S 1/2018 Schell et al.
 D810,648 S 2/2018 Chung
 D828,462 S 9/2018 Sprowl
 D828,878 S 9/2018 Sprowl
 D829,152 S * 9/2018 Caldwell D12/209
 D842,205 S 3/2019 Kraljevic
 D842,795 S 3/2019 Groth
 D845,861 S * 4/2019 Tran D12/209
 D849,645 S 5/2019 Khachatryan
 D849,654 S 5/2019 Kong
 D849,657 S 5/2019 Kong
 D851,183 S 6/2019 Wood et al.
 D855,002 S 7/2019 Ranum
 D856,249 S * 8/2019 Haney D12/209
 D856,893 S * 8/2019 Ramthun B60B 7/04
 D12/209
 D862,612 S 10/2019 Sprowl et al.
 D865,080 S 10/2019 Sprowl et al.
 D865,621 S * 11/2019 Han D12/209
 D887,938 S 6/2020 Stone et al.
 D889,565 S 7/2020 Sprowl
 D889,566 S 7/2020 Ewing et al.
 D896,151 S 9/2020 Piscitelli
 D896,725 S 9/2020 Valencia Pollex
 D897,452 S 9/2020 Lin
 D902,821 S 11/2020 Licklitter
 D902,822 S * 11/2020 Carbis B60B 1/00
 D12/209
 D906,938 S 1/2021 Sempek
 D913,894 S 3/2021 Lee
 D917,368 S 4/2021 Kaneko et al.
 D921,772 S 6/2021 Hagler et al.
 D921,773 S 6/2021 Hagler et al.
 D922,295 S * 6/2021 Grand D12/209
 D926,099 S * 7/2021 Yeh D12/209
 D926,265 S 7/2021 Ewing et al.
 D930,087 S 9/2021 Barajas et al.
 D933,571 S * 10/2021 Patel D12/211
 D936,556 S 11/2021 Sempek
 D938,528 S 12/2021 Lin
 2007/0018496 A1 1/2007 McCorquodale
 2017/0080350 A1 3/2017 Allmendinger et al.
 2020/0247179 A1 8/2020 Christensen et al.

FOREIGN PATENT DOCUMENTS

DE 402017100863-0001 7/2018
 EM 005817137-0004 11/2018
 GB 9007076641-0001 * 10/2019
 JP D1642070 * 9/2019
 TW D114104 S 12/2006
 TW D141989 S 8/2011

(56)

References Cited

FOREIGN PATENT DOCUMENTS

TW D143556 S 11/2011
 WO WO-2021046302 A1 * 3/2021 B60G 7/001

OTHER PUBLICATIONS

Dave Arnouts, "This LT-Powered 1957 Chevy Built By BRP HotRods Is More Than Cool," Oct. 13, 2017, chevyhardcore.com, site visited Dec. 14, 2021, URL: <https://www.chevyhardcore.com/news/this-lt-powered-1957-chevy-built-by-brp-hotrods-is-more-than-cool/> (Year: 2017).*

"Traxxas 8472 Desert Racer Wheels," May 16, 2018, amazon.ca, site visited Dec. 14, 2021, URL: https://www.amazon.ca/Traxxas-8472-Desert-Wheels-Bfgoodrich/dp/B07B6TS9B2/ref=sr_1_75?keywords=traxxas+wheels&qid=1639489322&sr=8-75 (Year: 2018).*

"Hot Rods by Boyd," Aug. 26, 2019, facebook.com, site visited Dec. 14, 2021, URL: <https://www.facebook.com/HOTRODSBYBOYD/photos/2365060463548260> (Year: 2019).*

KMD XD Series XD228 Machete Desert Beadlock Machined Custom Wheels Rims; <http://www.customwheelsexpress.com/custom-wheels-by-brand-xd-series-by-kmc-kmc-xd-series-xd228-machete-desert-beadlock-machined-custom-wheels-rims-p-2930.html>; Aug. 2016.

MSA M21 LOK (Beadlock); <https://msawheels.com/wheels/m21-lok/>; Aug. 2016.

OMF Performance Products; Beadlocked Wheels; https://www.omfperformance.com/beadlocked_wheels_uq.php; Aug. 2016.

Taiwan IPO Search Report; dated Aug. 4, 2016; regarding Taiwan Design Patent Application No. 105301436.

Zach, "Tires not glued the best," Aug. 25, 2018 (review with photo), amazon.com, site visited Dec. 13, 2021, URL: <https://www.amazon.com/Traxxas-Raptor-Slash-GOODRICH-Wheels/dp/B00ERU9RN0> (Year: 2018).

Andy Dunkin, "Great tires for the money," Apr. 12, 2019 (review with photo), amazon.com, site visited Dec. 13, 2021, URL: https://www.amazon.com/Traxxas-Goodrich-Terrain-Pre-Glued-Beadlock-Style/dp/B002U5BPPM/ref=sr_1_49?keywords=traxxas+maxx+tires&qid=1639427729&sr=8-49 (Year 2019).

Rick, "Great wheels!" Jan. 24, 2019 (review with photo), amazon.com, site visited Dec. 14, 2021, URL: <https://www.amazon.com/dp/B07MH4GW4G/?th=1> (Year: 2019).

* cited by examiner

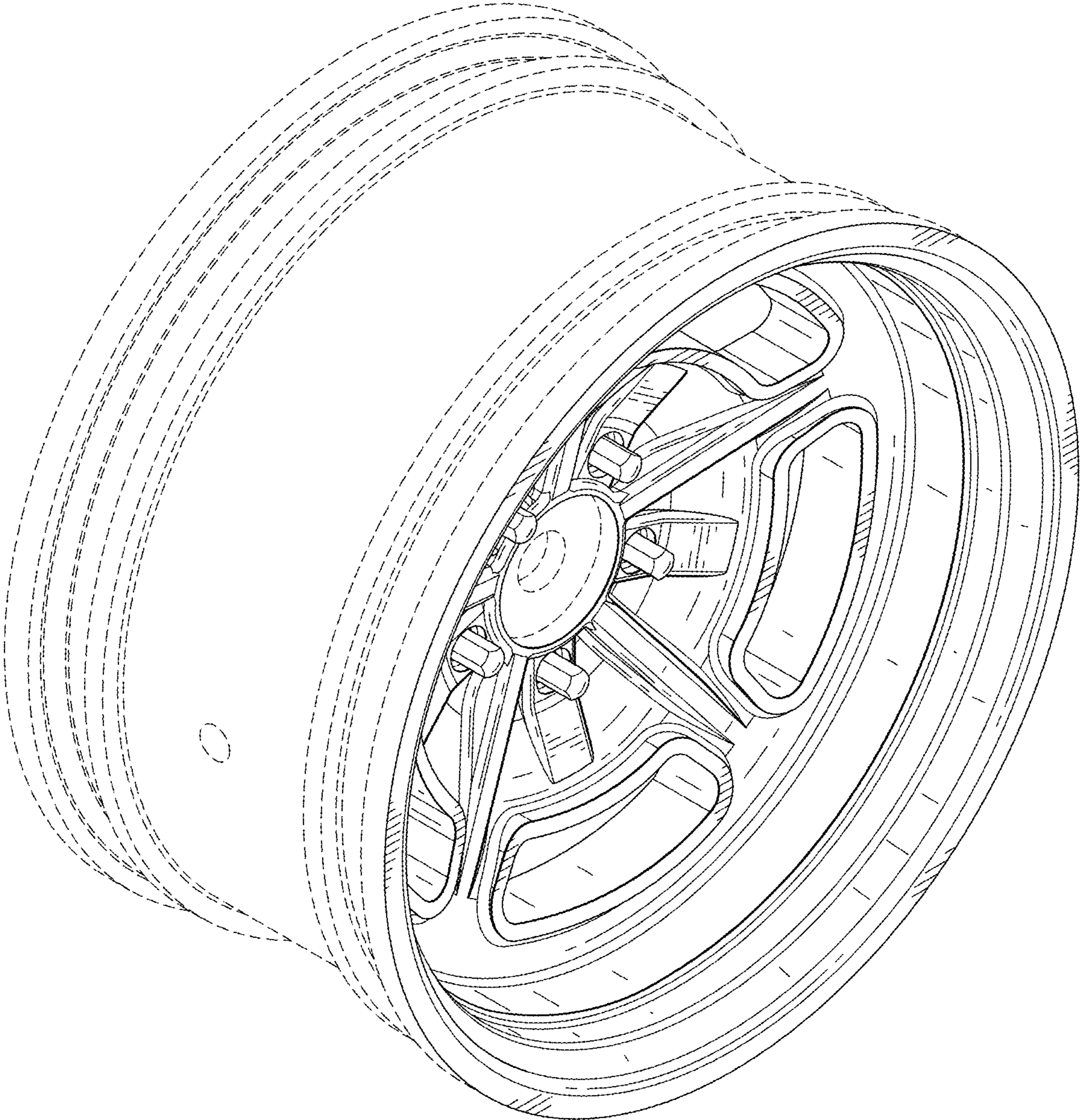


FIG. 1

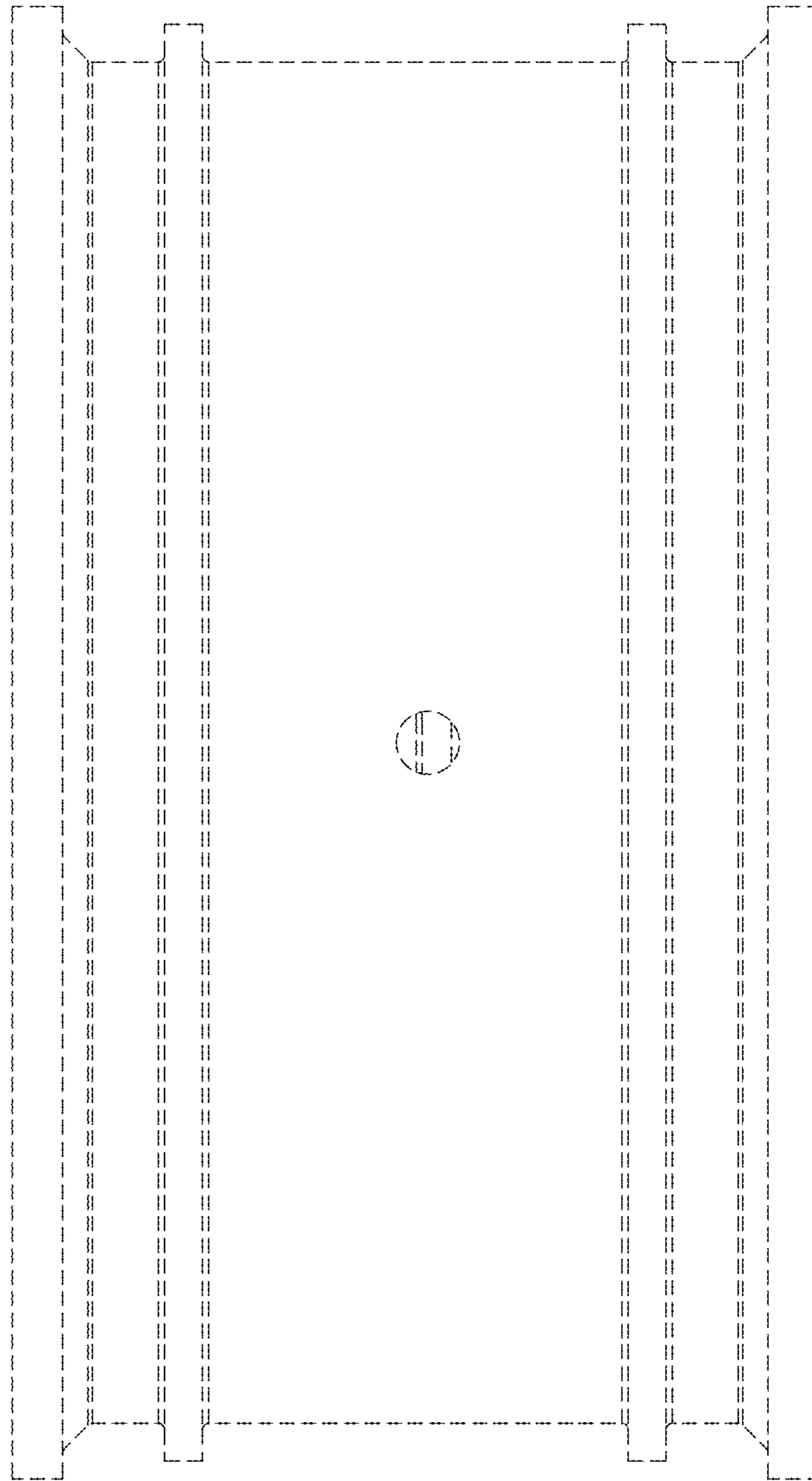


FIG. 2

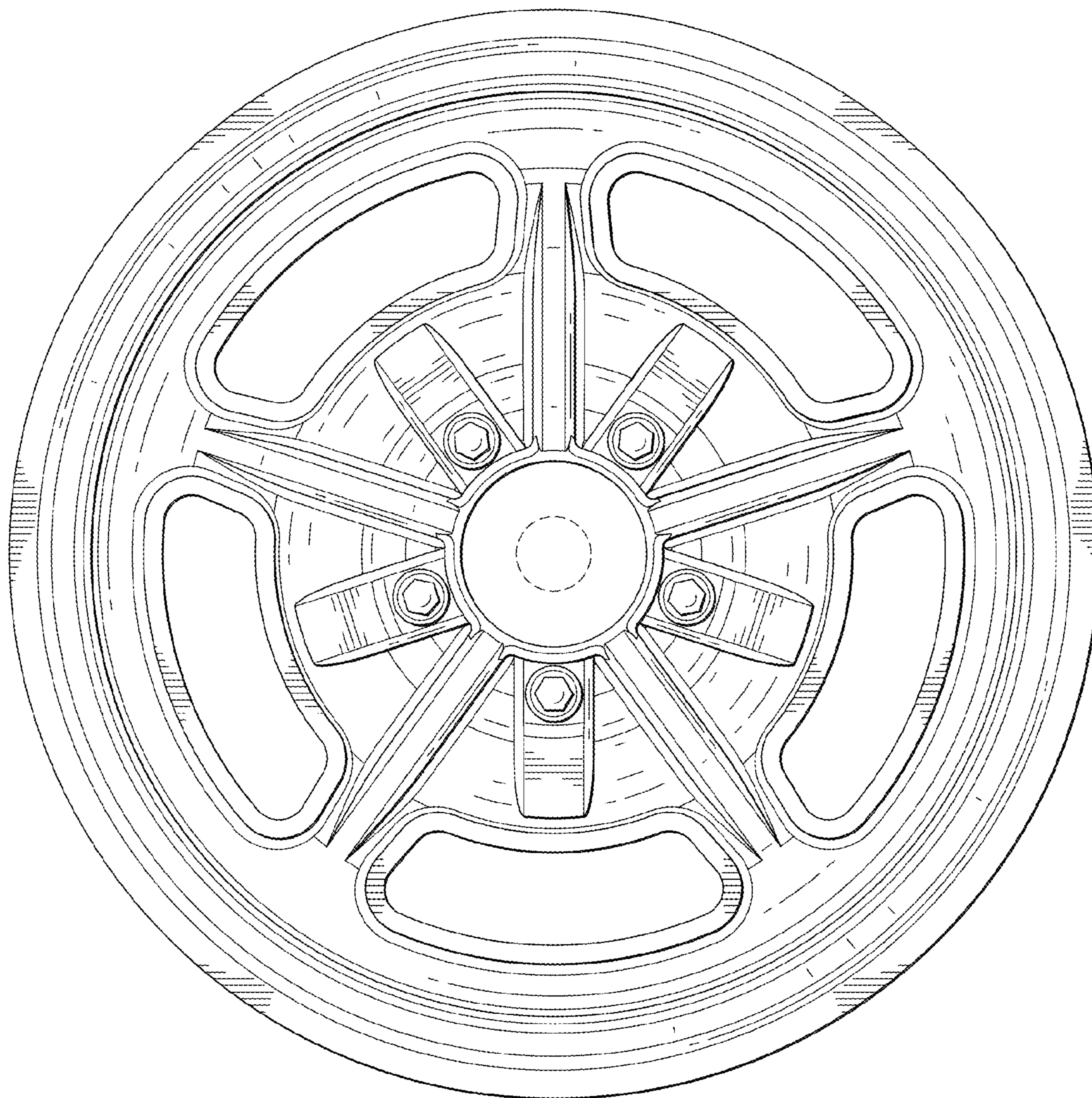


FIG. 3

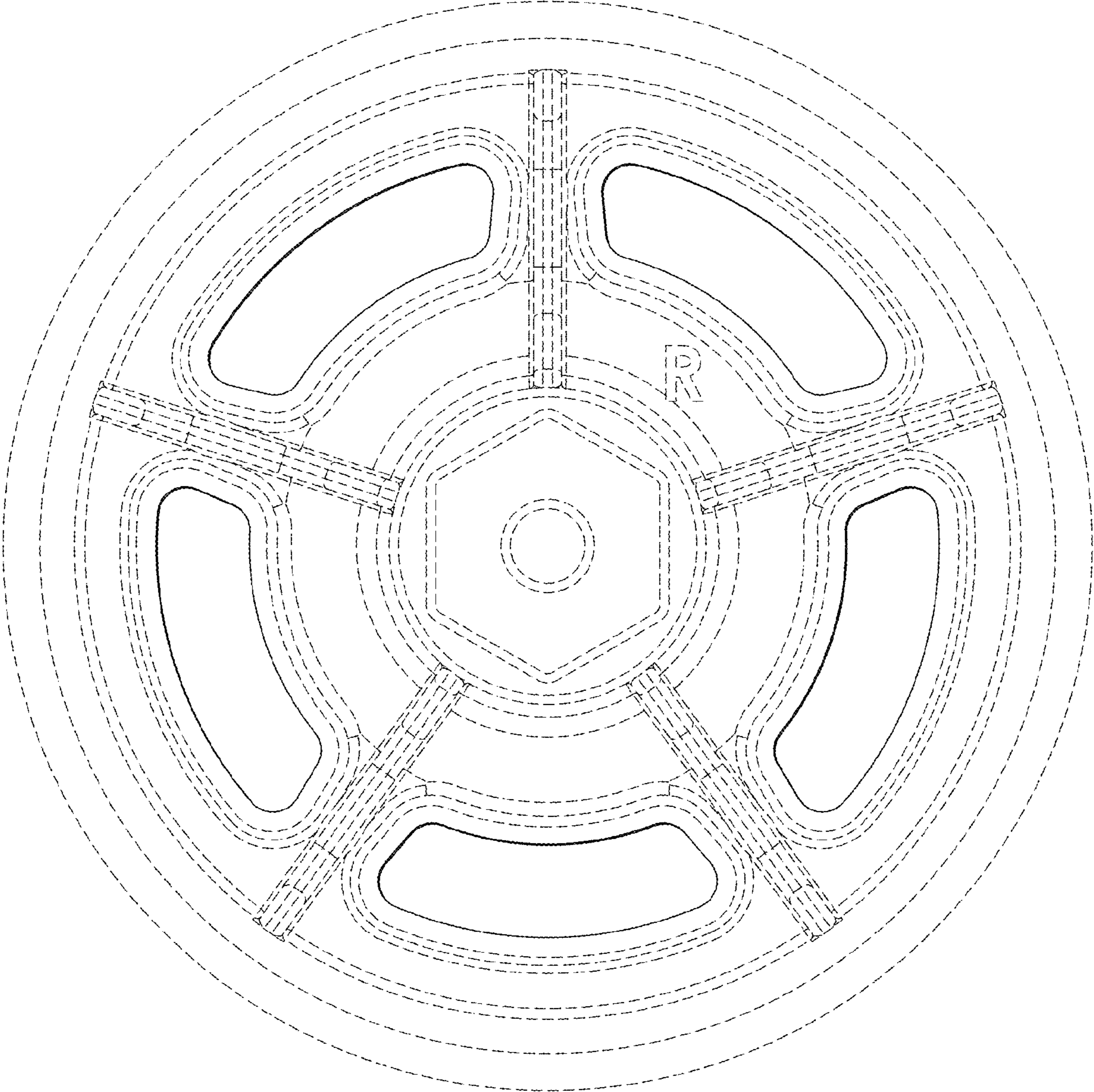


FIG. 4

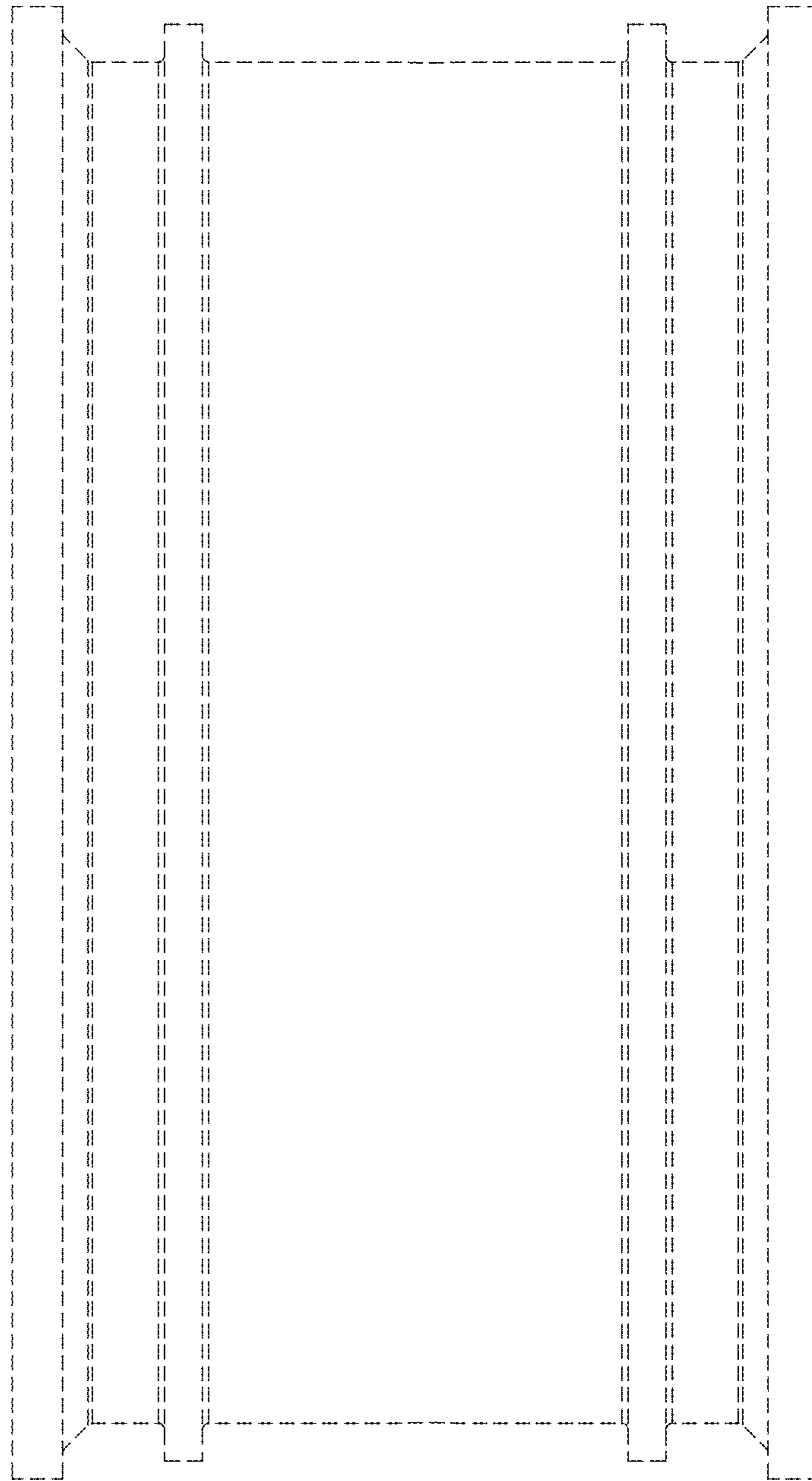


FIG. 5

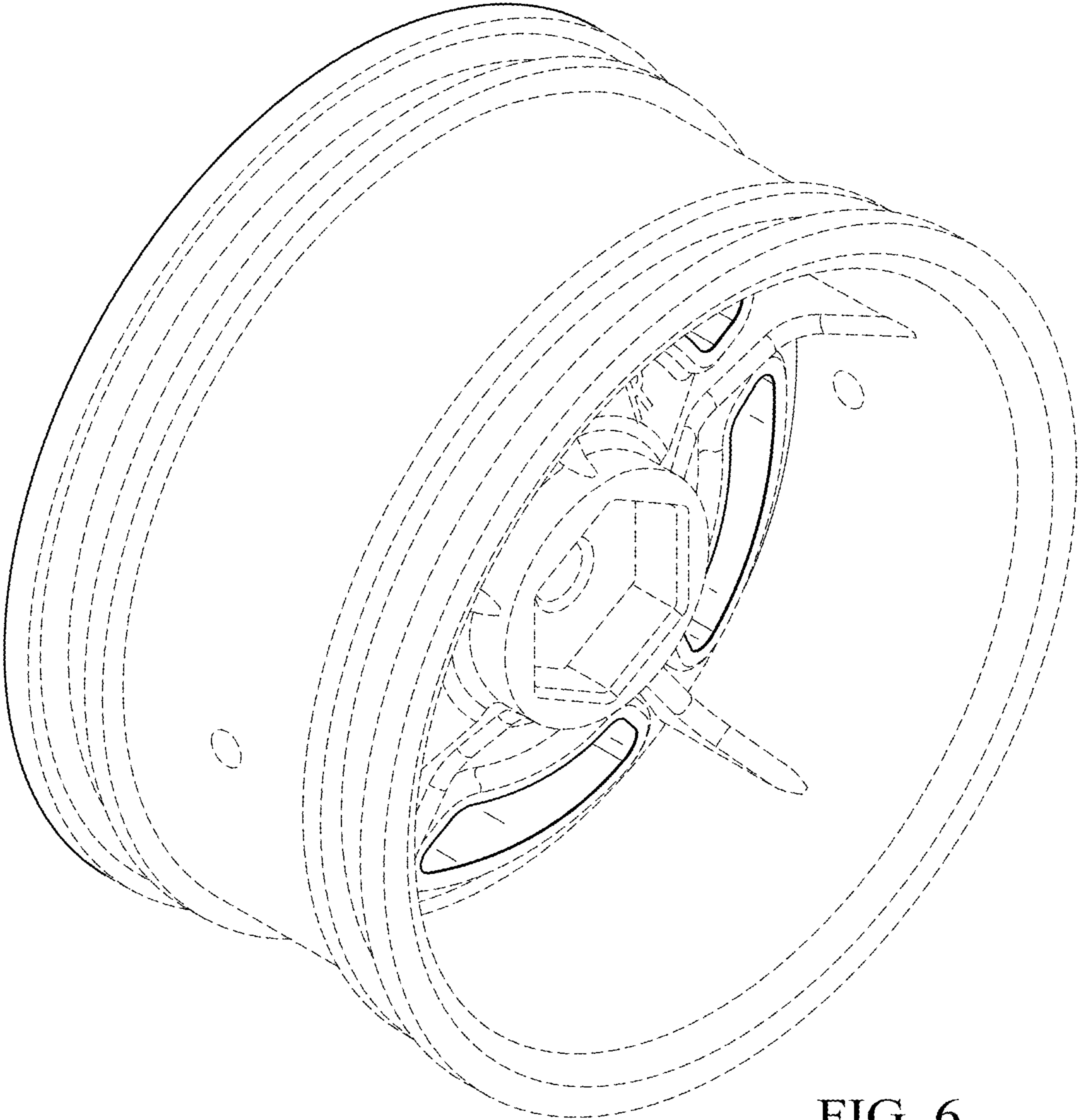


FIG. 6

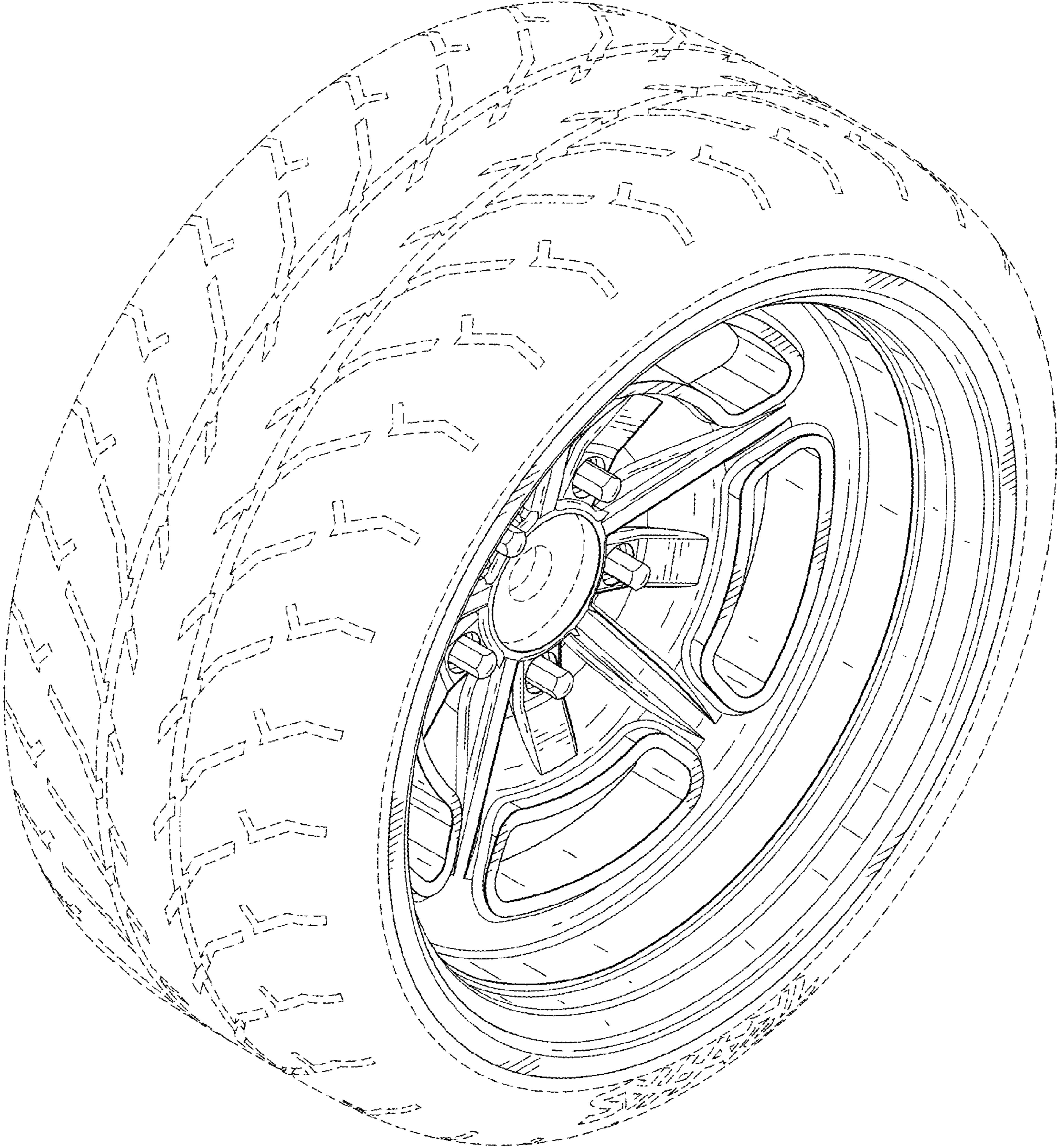


FIG. 7