



US00D944331S

(12) **United States Design Patent** (10) **Patent No.:** **US D944,331 S**  
**Wang** (45) **Date of Patent:** **\*\* Feb. 22, 2022**

(54) **QUADROTOR**  
(71) Applicant: **Shantou Chenghai Longman Technology Co., Ltd, Shantou (CN)**  
(72) Inventor: **Tongwei Wang, Shantou (CN)**  
(\*\*) Term: **15 Years**  
(21) Appl. No.: **29/771,968**  
(22) Filed: **Feb. 26, 2021**  
(51) **LOC (13) Cl.** ..... **21-02**  
(52) **U.S. Cl.**  
USPC ..... **D21/442**  
(58) **Field of Classification Search**  
USPC ..... D12/1-4, 16.1, 319-345, 400, 159, 160, D12/190, 196, 203; D21/436-453  
CPC ..... B64C 27/20; B64C 2201/024; B64C 2201/104; B64C 2201/021; B64C 2201/141  
See application file for complete search history.

D809,970 S \* 2/2018 Zhou ..... D12/16.1  
D813,143 S \* 3/2018 Belik ..... D12/326  
9,964,184 B2 \* 5/2018 Modrzejewski ..... F16H 3/48  
D827,723 S 9/2018 Barajas et al.  
D850,357 S \* 6/2019 Cummings ..... D12/326  
D856,898 S \* 8/2019 Evulet ..... D12/335  
D856,899 S \* 8/2019 Evulet ..... D12/335  
D892,710 S \* 8/2020 Vander Lind ..... D12/344  
D921,565 S \* 6/2021 Vander Lind ..... D12/344  
11,077,937 B1 \* 8/2021 Bruell ..... B64C 27/28  
D930,548 S \* 9/2021 Schaferlein ..... D12/328  
D931,181 S \* 9/2021 Manohar ..... D12/319  
D931,182 S \* 9/2021 Chasen ..... D12/328  
2013/0153708 A1 \* 6/2013 Brunken, Jr. .... B64C 1/26  
244/56  
2016/0152329 A1 \* 6/2016 Tzeng ..... B64C 29/0033  
416/134 R  
2016/0229531 A1 \* 8/2016 Robertson ..... B64C 39/04  
2016/0333797 A1 \* 11/2016 Laramee ..... B64D 33/04  
2016/0340038 A1 \* 11/2016 Chavez ..... B64D 1/22  
2016/0347479 A1 \* 12/2016 O'Neil ..... B64F 5/60  
2017/0036753 A1 \* 2/2017 Shue ..... G05D 1/0858  
2017/0121029 A1 \* 5/2017 Blyth ..... B64C 11/303  
2017/0137122 A1 \* 5/2017 Kooiman ..... F16H 1/006

\* cited by examiner

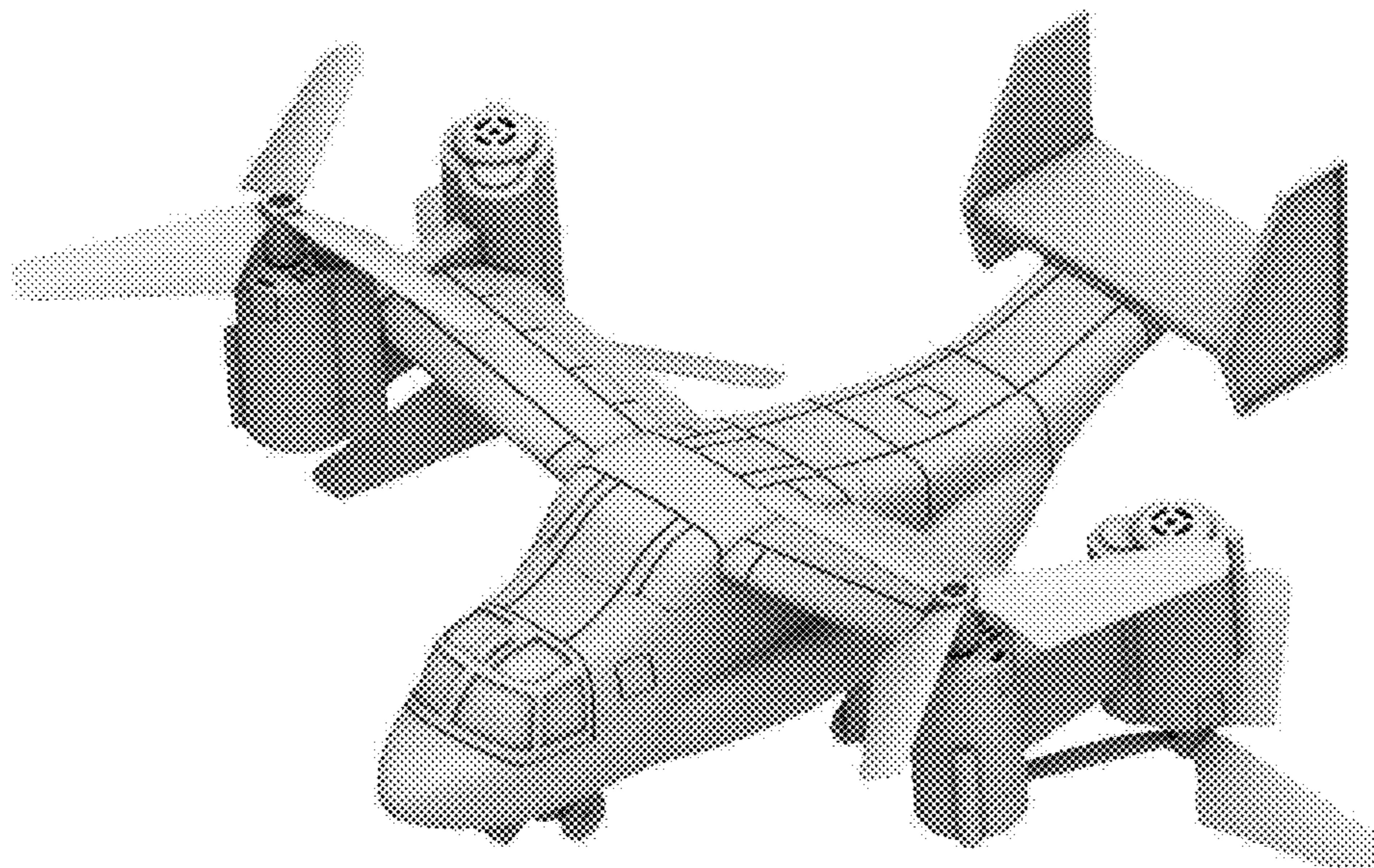
*Primary Examiner* — Marissa J Cash

(56) **References Cited**  
U.S. PATENT DOCUMENTS  
4,629,147 A \* 12/1986 Johnson, Jr ..... B64D 27/14  
244/55  
4,856,736 A \* 8/1989 Adkins ..... B64C 39/068  
244/45 R  
D442,540 S \* 5/2001 Cellini ..... D12/308  
D598,838 S \* 8/2009 Carr ..... D12/319  
7,604,202 B2 \* 10/2009 Froman ..... B64D 15/12  
244/134 D  
D710,452 S 8/2014 Barajas et al.  
D724,001 S \* 3/2015 Garreau ..... D12/331  
D725,576 S \* 3/2015 Vickers ..... D12/324  
D741,247 S \* 10/2015 Brody ..... D12/326  
D778,371 S 2/2017 Barajas et al.  
D799,402 S \* 10/2017 Cummings ..... D12/327  
D803,724 S \* 11/2017 Zhou ..... D12/16.1  
D808,328 S \* 1/2018 Ivans ..... D12/328

(57) **CLAIM**  
The ornamental design for a quadrotor, as shown and described.

**DESCRIPTION**  
FIG. 1 is a perspective view of a quadrotor showing my new design;  
FIG. 2 is a front view thereof;  
FIG. 3 is a back view thereof;  
FIG. 4 is a left side view thereof;  
FIG. 5 is a right side view thereof;  
FIG. 6 is a top view thereof; and,  
FIG. 7 is a bottom view thereof.

**1 Claim, 7 Drawing Sheets**



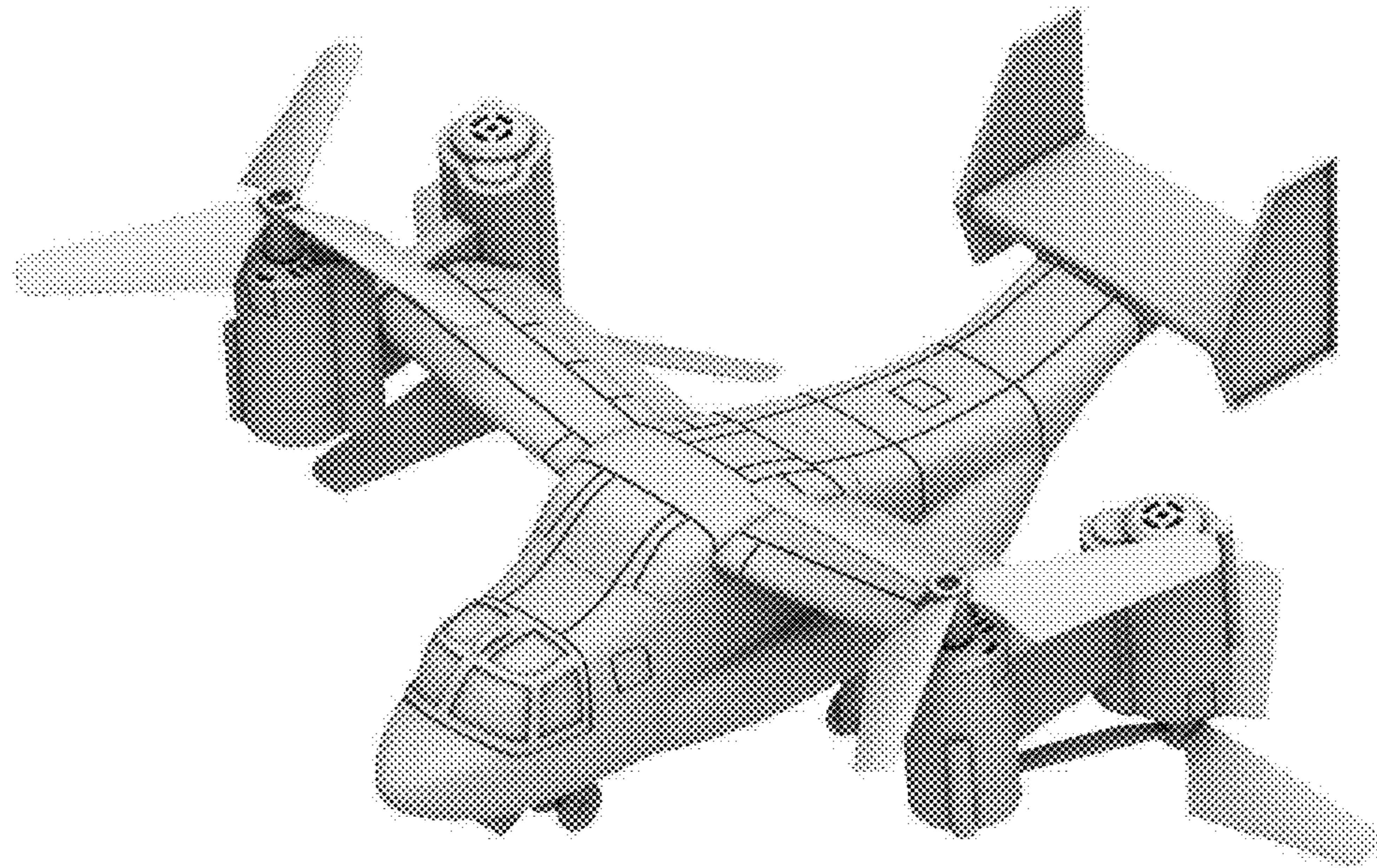


FIG.1

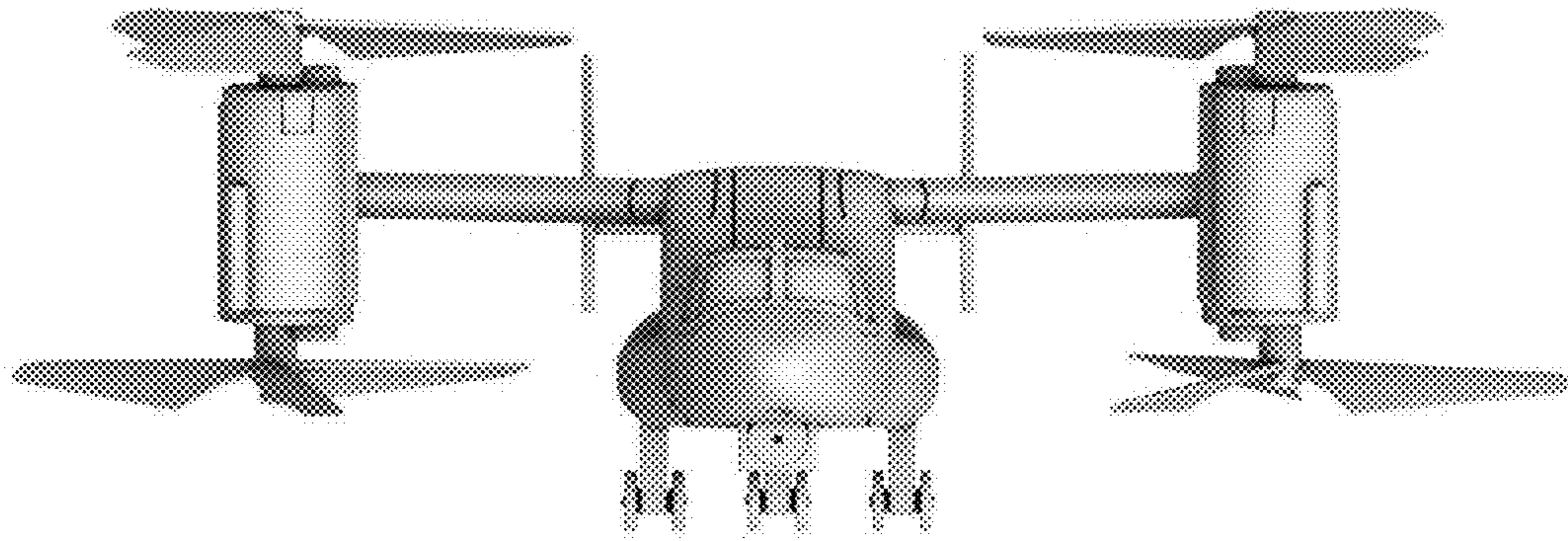


FIG.2

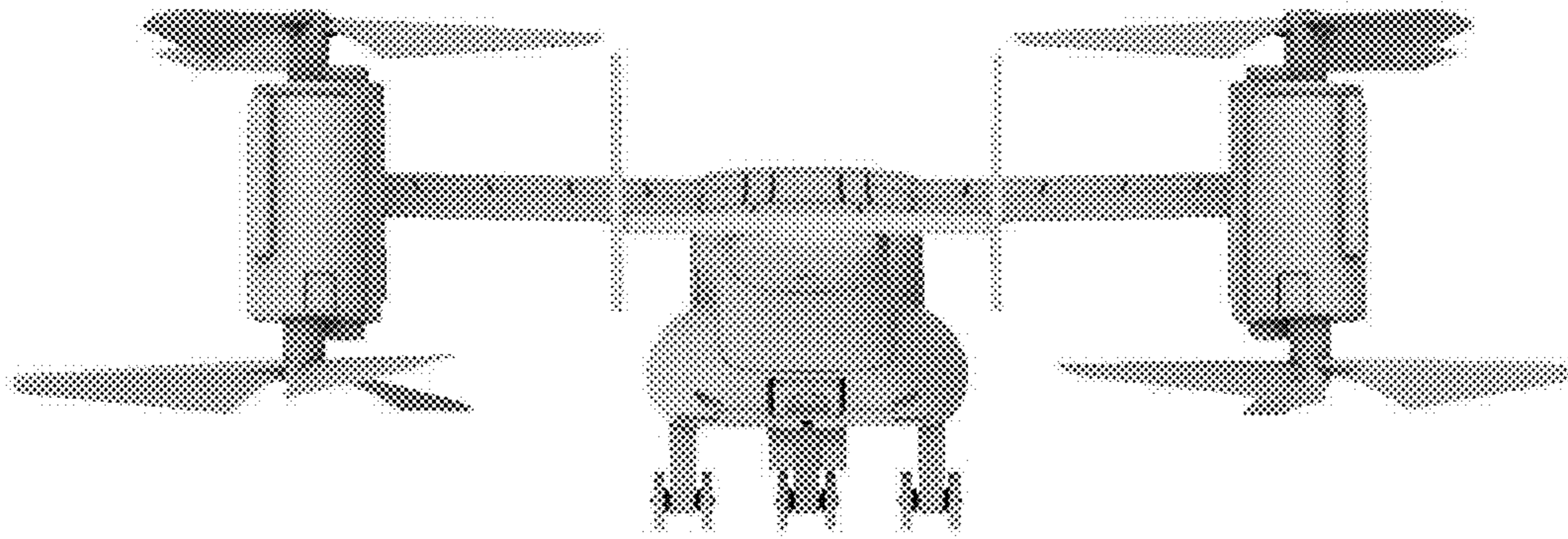


FIG. 3

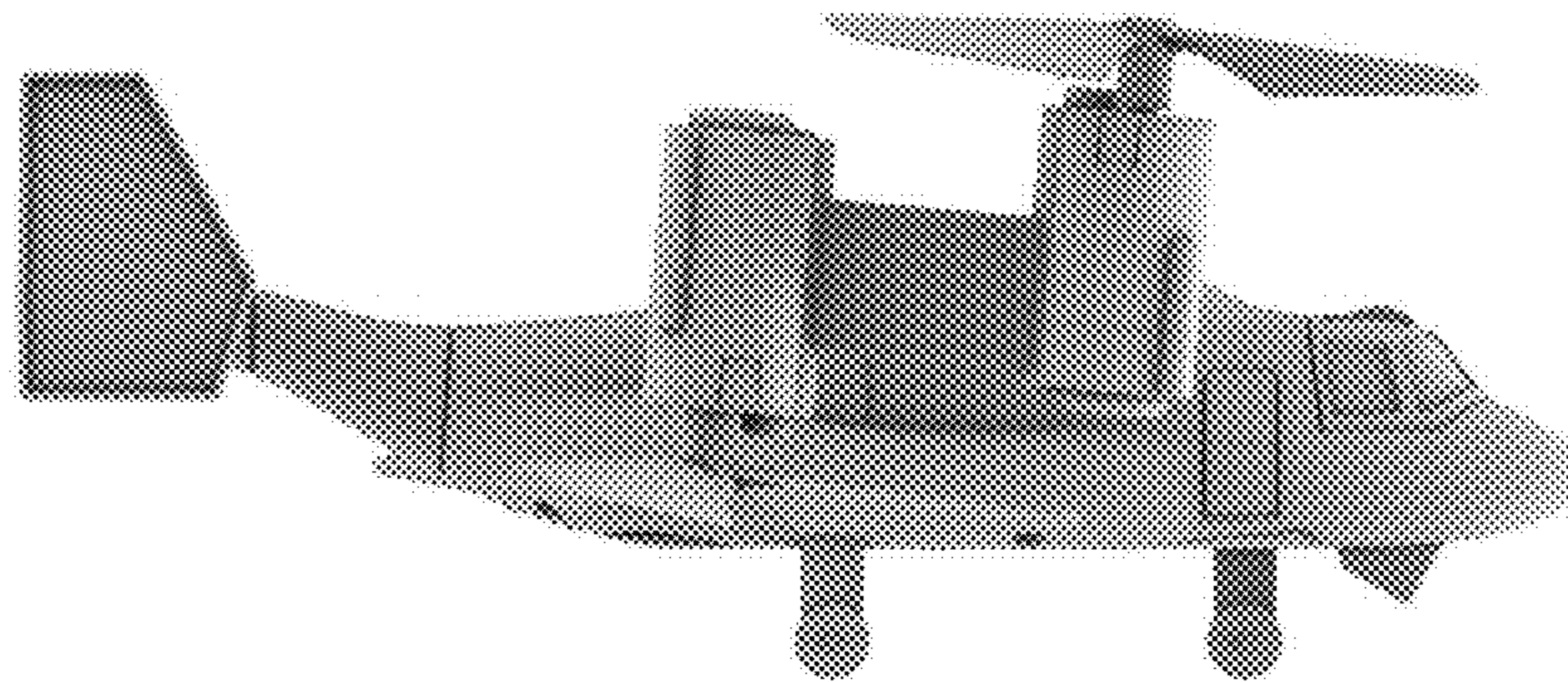


FIG.4

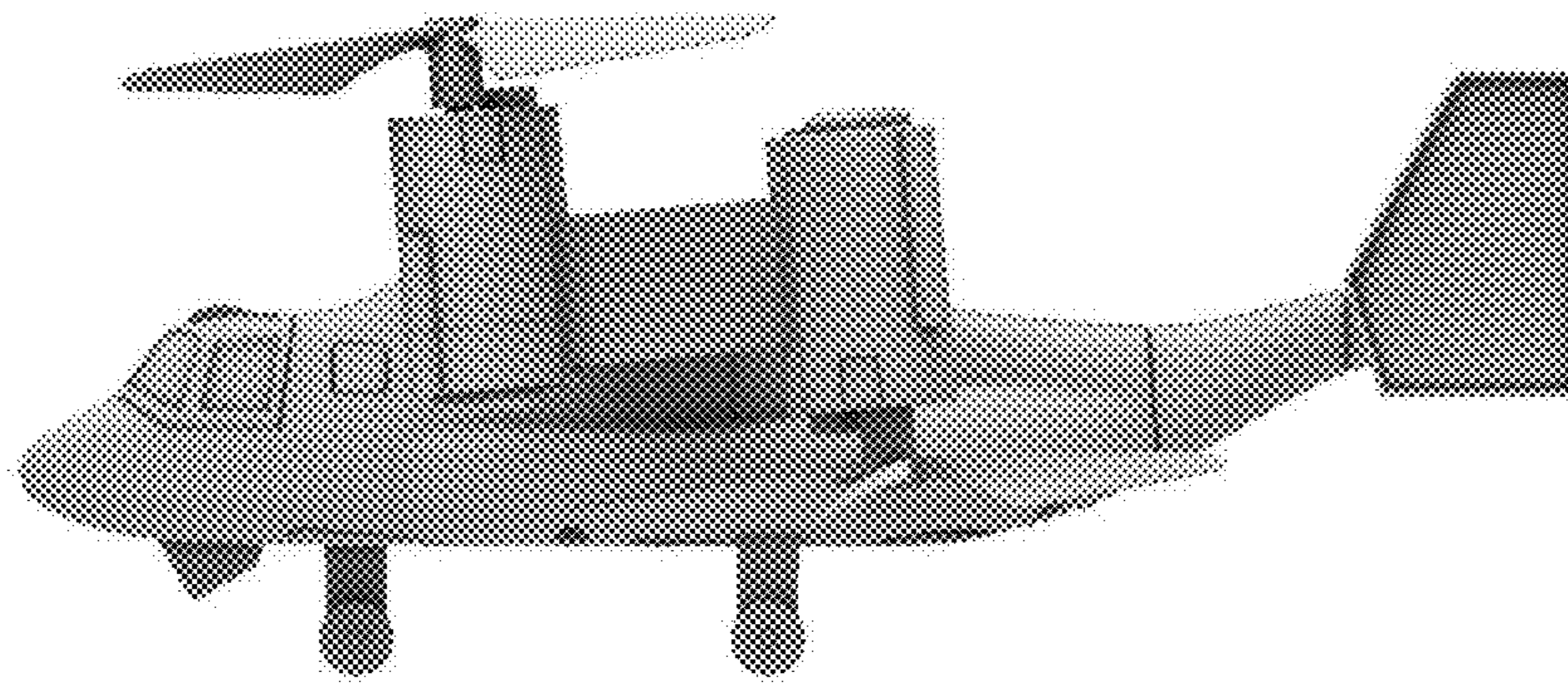


FIG.5

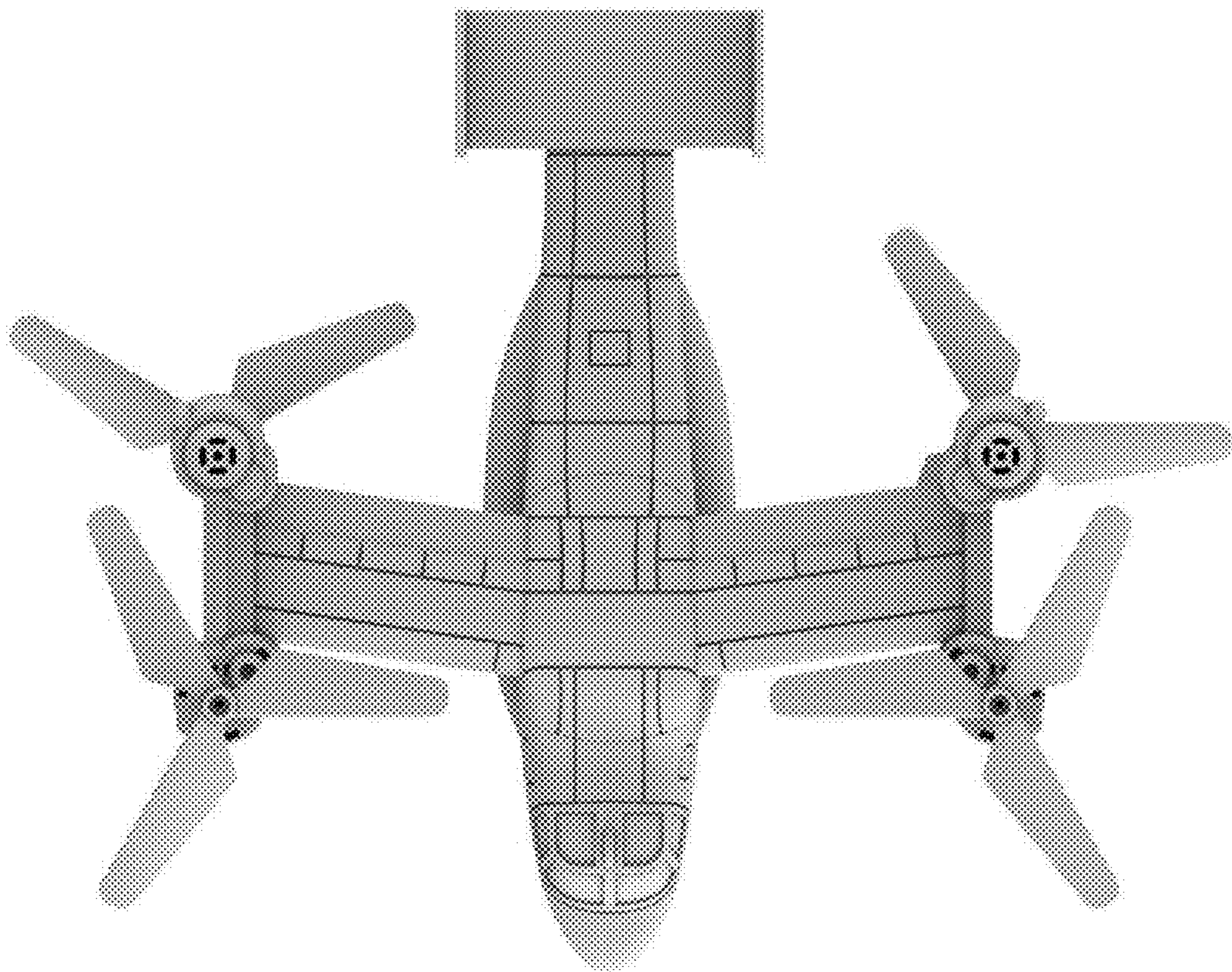


FIG. 6

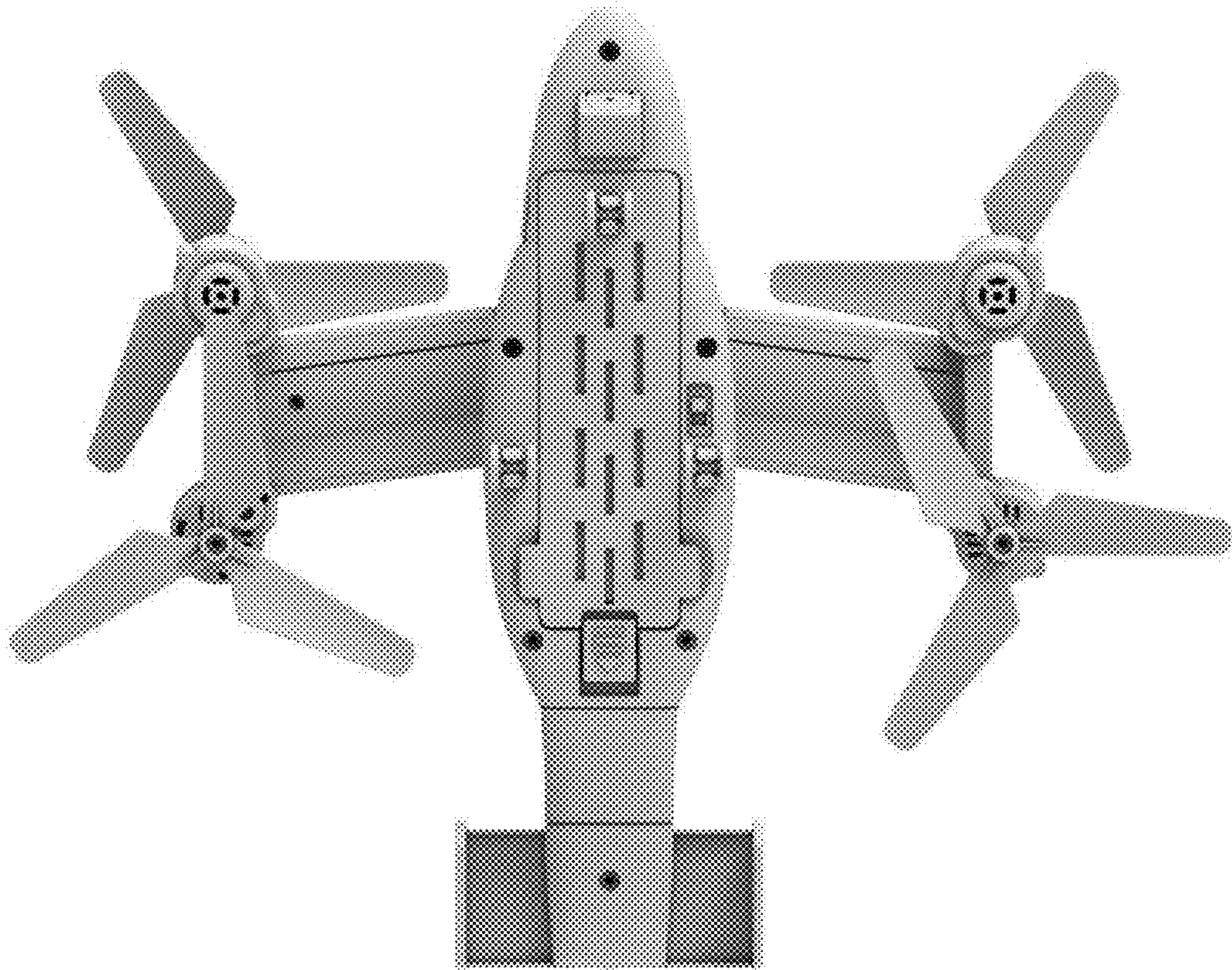


FIG. 7