



US00D944328S

(12) **United States Design Patent** (10) **Patent No.:** **US D944,328 S**
Spady (45) **Date of Patent:** **** Feb. 22, 2022**

- (54) **AIRMAIL BOX**
- (71) Applicant: **Brandon Spady**, Newport News, VA (US)
- (72) Inventor: **Brandon Spady**, Newport News, VA (US)
- (**) Term: **15 Years**
- (21) Appl. No.: **29/689,808**
- (22) Filed: **May 2, 2019**
- (51) **LOC (13) Cl.** **21-01**
- (52) **U.S. Cl.**
USPC **D21/303**
- (58) **Field of Classification Search**
USPC D30/108-109, 158, 160-161; D23/201, D23/213, 214, 269; D8/354; D7/362.2, D7/509, 529; D21/300, 301, 302, 303, D21/304, 318, 319, 334, 335, 336, 341, D21/342, 343, 365, 385, 386, 390, 396, D21/402, 415, 438, 563, 699, 789, 790, D21/791, 793, 794, 397; D6/302, 309, D6/310, 312, 332, 320, 328, 341, 653.18, D6/688.26, 690, 699.4, 707.17, 708
CPC A01K 1/001; A01K 15/02; A63B 67/00; A63B 71/00; A63B 63/00; A63B 63/08; A01M 1/103; A01M 1/026; F15B 15/202; B25B 7/126
See application file for complete search history.

- D371,939 S * 7/1996 Rigney D7/509
- D411,810 S * 7/1999 Stockman 116/63 C
- D426,034 S * 5/2000 Faulstich D30/108
- 6,247,424 B1 * 6/2001 Huang E01F 13/02
116/63 C
- D462,286 S * 9/2002 Perelli D10/113.2
- 6,499,858 B2 * 12/2002 Hart F21S 9/037
116/63 C
- 6,556,147 B1 * 4/2003 Fisher E01F 9/617
116/63 C
- D539,611 S * 4/2007 Wasserman D7/586
- D542,098 S * 5/2007 Wasserman D7/584
- 7,228,813 B2 * 6/2007 Flamingo E01F 9/688
116/63 C

(Continued)

OTHER PUBLICATIONS

“Cornhole Airmail Box”, posted Aug. 2, 2019[retrieved Sep. 23, 2020. Retrieved from Internet: https://www.youtube.com/watch?v=_W_s3rKayO8&t=17s.*

(Continued)

Primary Examiner — Mehri F Bajoul
(74) *Attorney, Agent, or Firm* — Bryce D. Miracle, Esq.

CLAIM

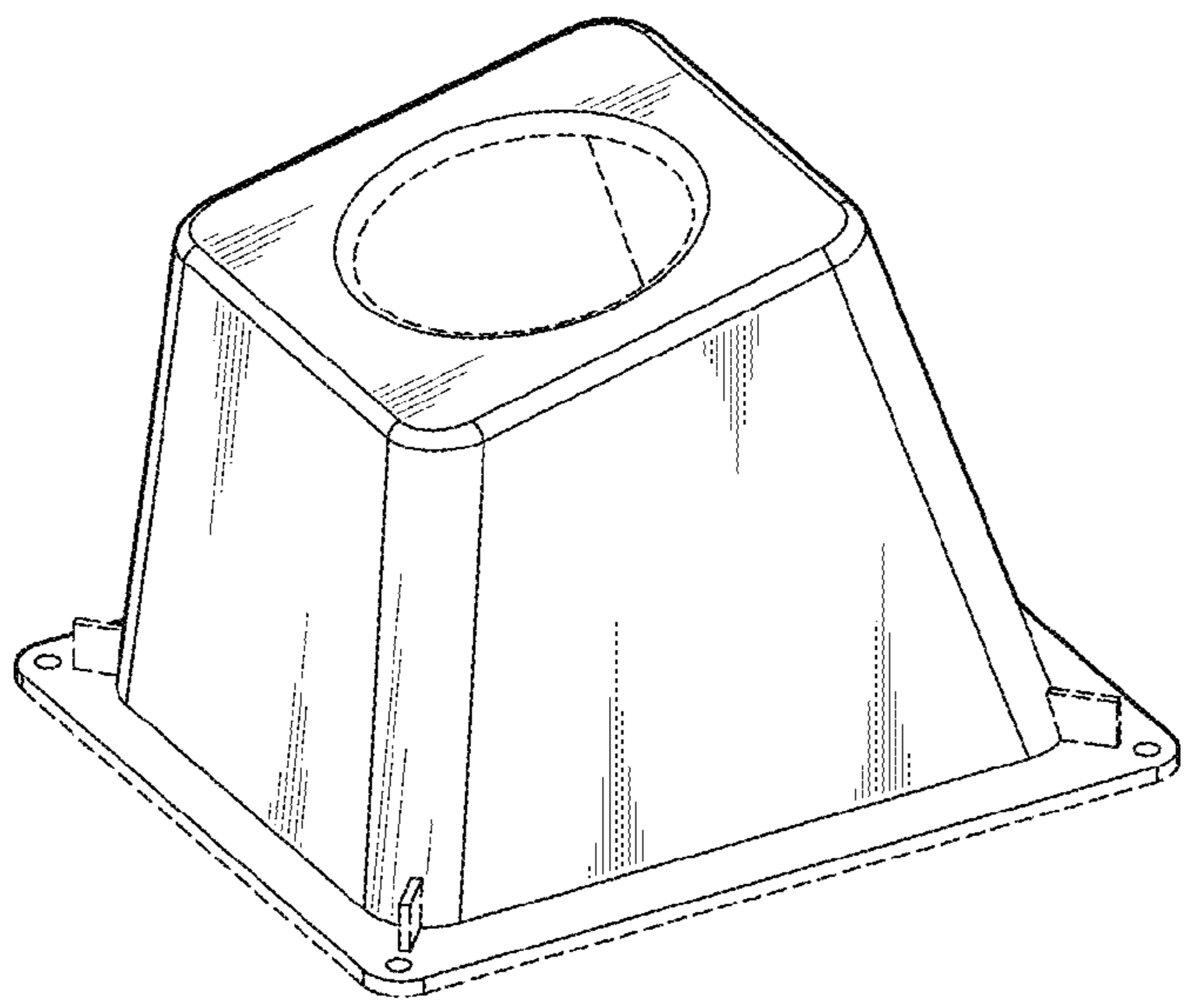
The ornamental design for an airmail box, as shown and described.

DESCRIPTION

FIG. 1 is a front perspective view of the airmail box showing the new design;
FIG. 2 is a bottom perspective view thereof;
FIG. 3 is a top plan view thereof;
FIG. 4 is a front elevation view thereof;
FIG. 5 is a rear elevation view thereof;
FIG. 6 is a left-side elevation view thereof; and,
FIG. 7 is a right-side elevation view thereof.
The broken lines shown in the drawings depict portions of the airmail box that form no part of the claimed design.

1 Claim, 2 Drawing Sheets

- (56) **References Cited**
U.S. PATENT DOCUMENTS
- D255,946 S * 7/1980 Galbreath D30/108
- D276,898 S * 12/1984 Strenger D11/145
- D288,515 S * 3/1987 Rimmer D7/584
- D338,283 S * 8/1993 Pfriendler D30/108
- D361,876 S * 8/1995 Northrop D30/160
- D366,102 S * 1/1996 Bonnell D23/284
- D369,443 S * 4/1996 Givens D30/118



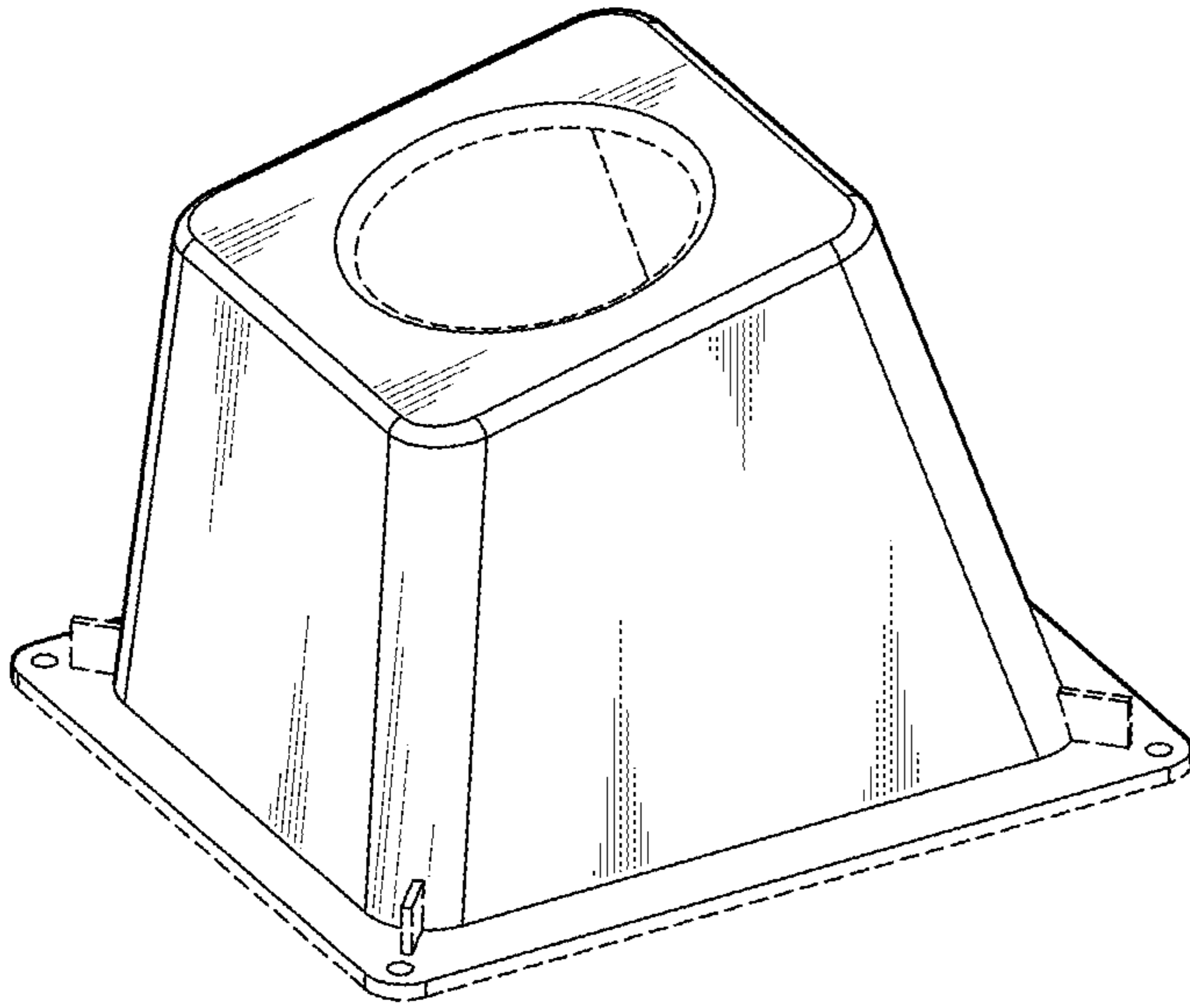


FIG. 1

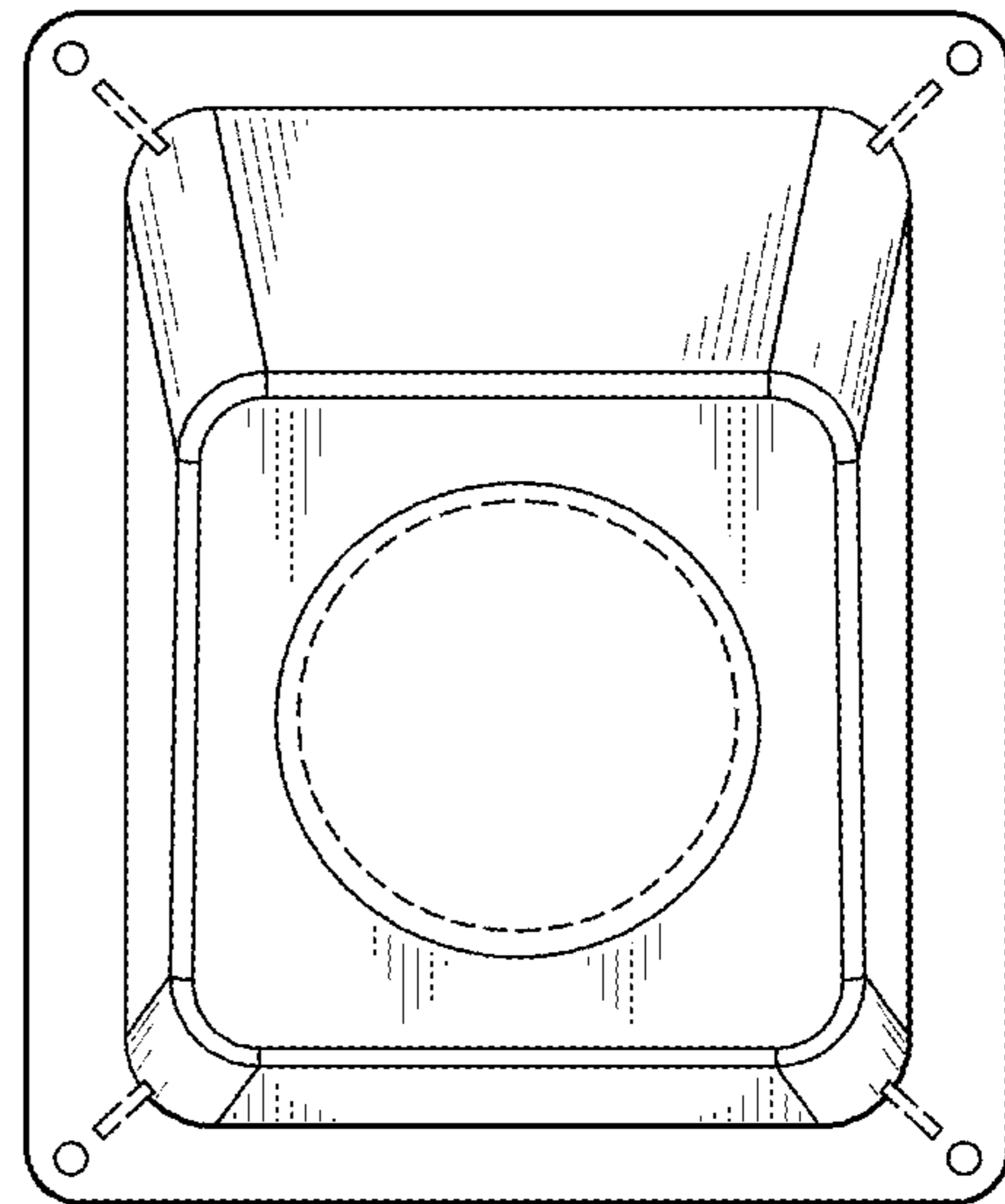


FIG. 3

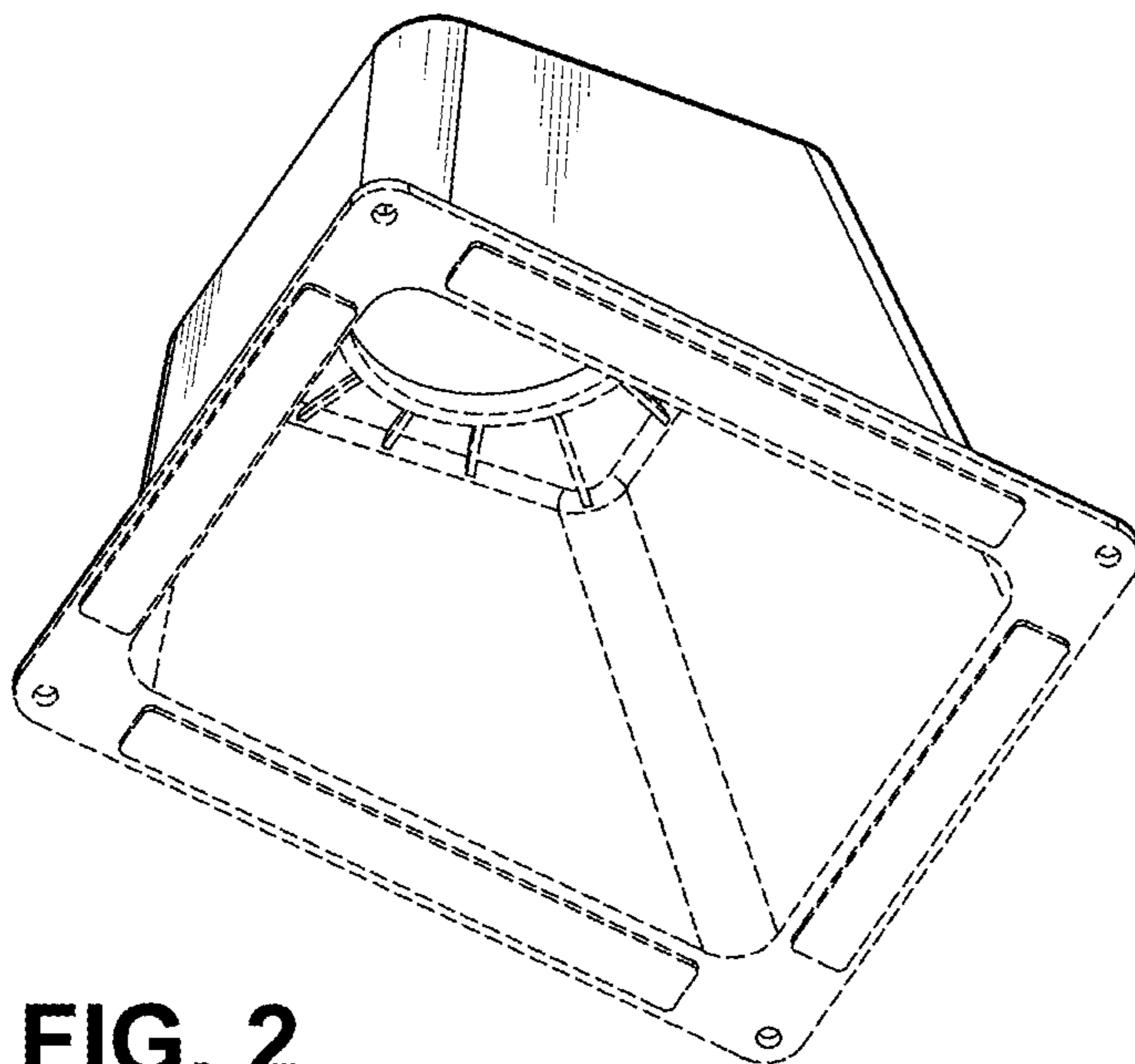


FIG. 2

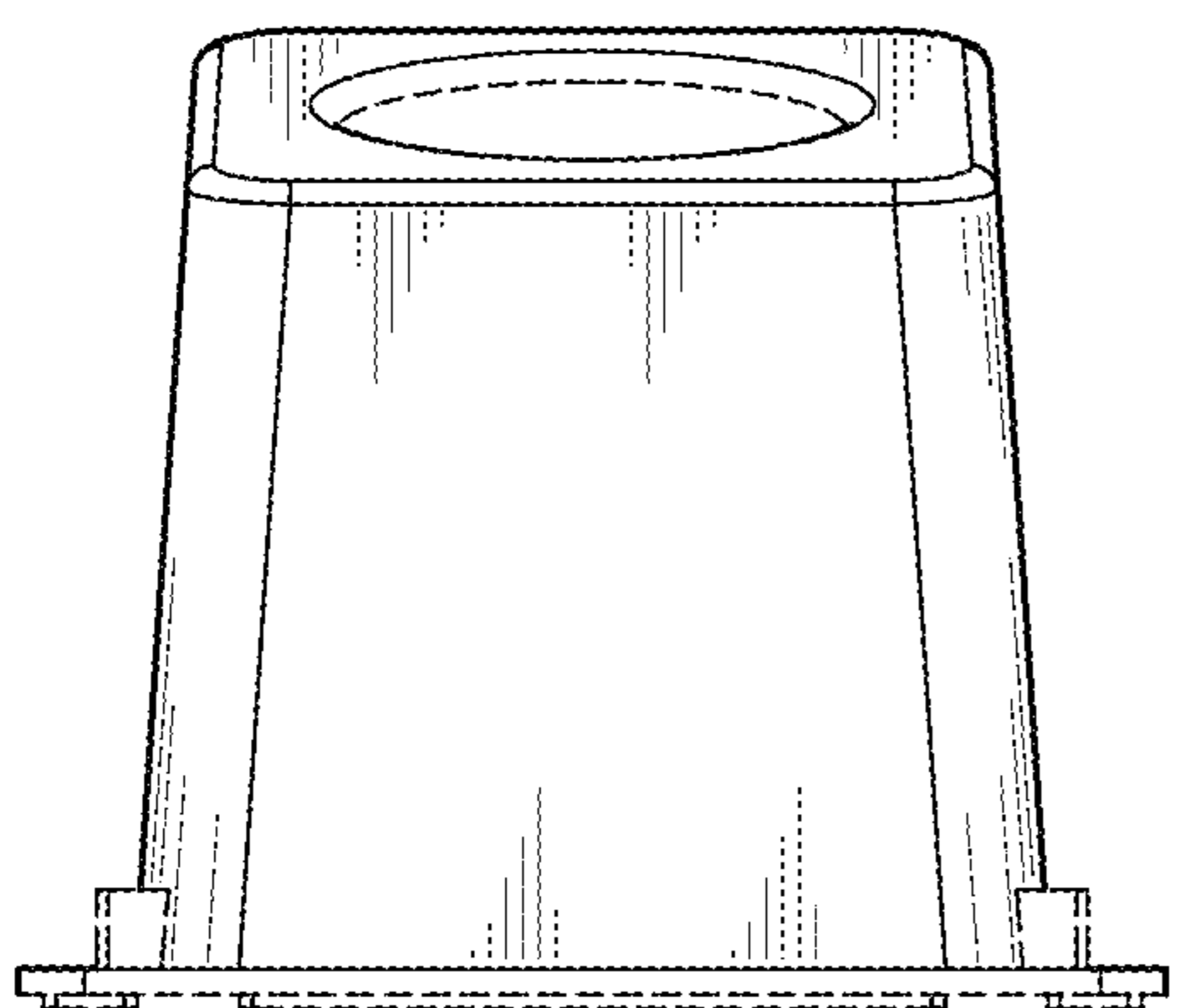


FIG. 4

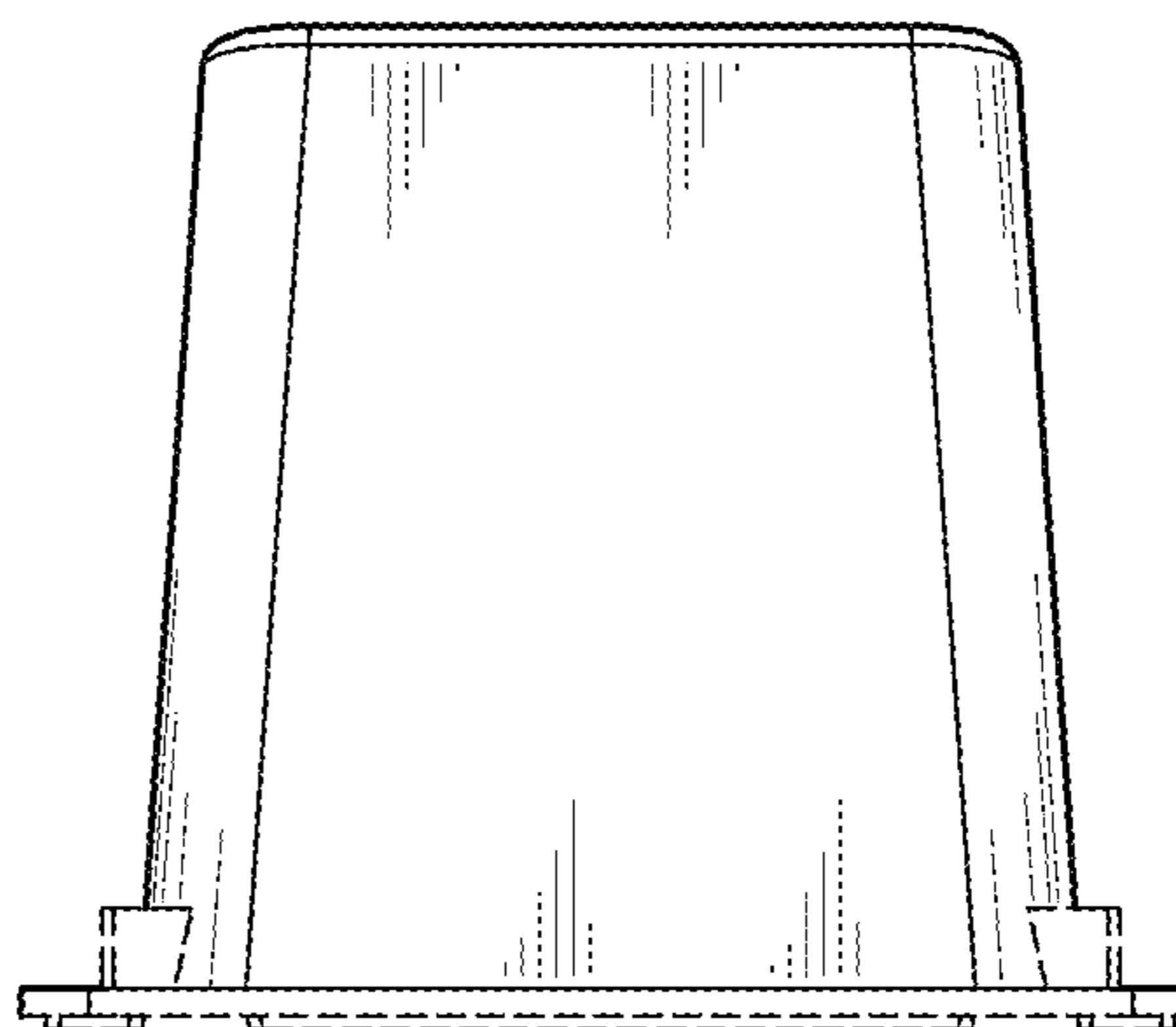


FIG. 5

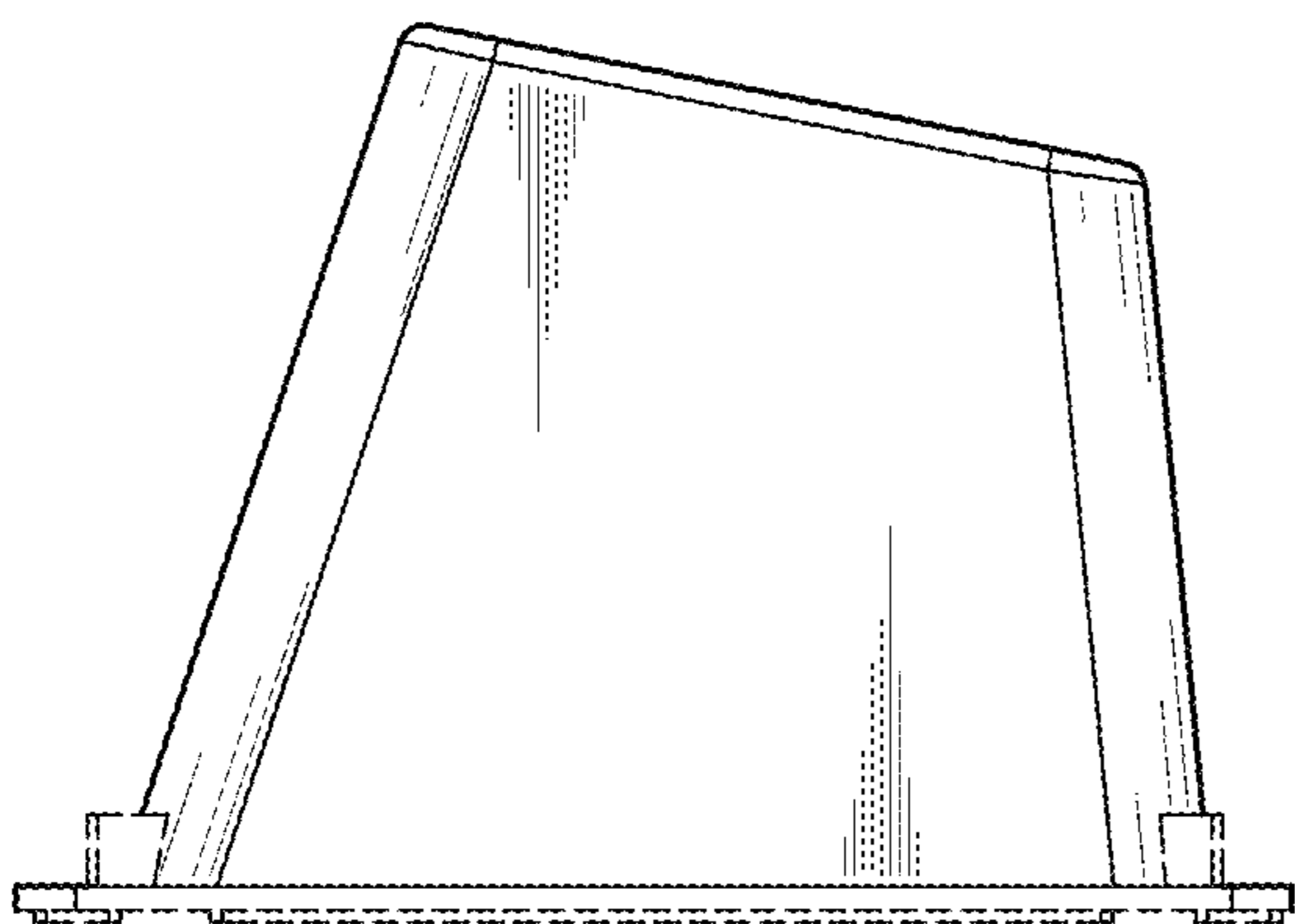


FIG. 6

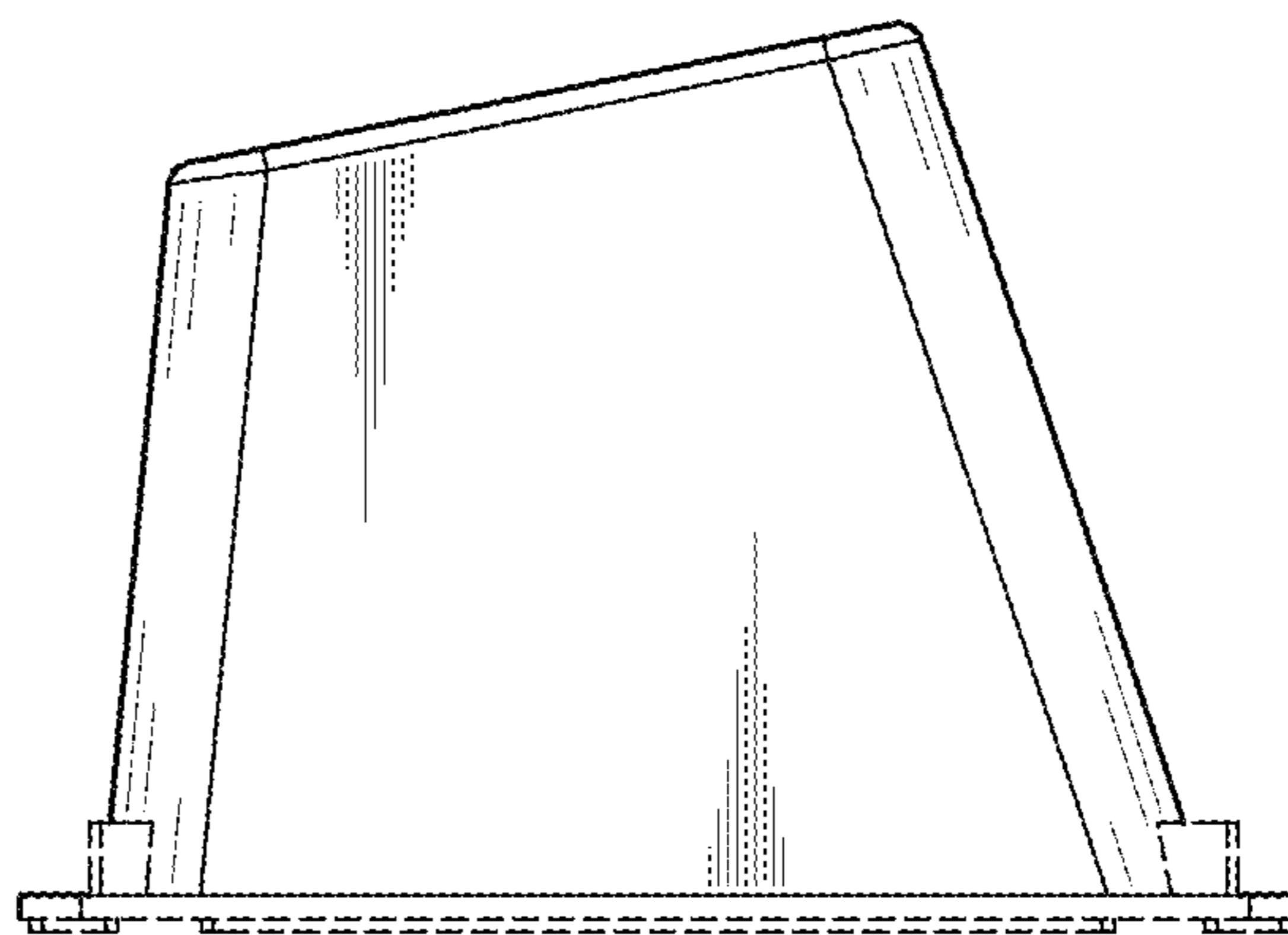


FIG. 7