



US00D944325S

(12) **United States Design Patent** (10) **Patent No.:** **US D944,325 S**  
**Ye** (45) **Date of Patent:** **\*\* Feb. 22, 2022**

(54) **EDUCATIONAL GAME**

(71) Applicant: **Peibin Ye**, Shantou (CN)

(72) Inventor: **Peibin Ye**, Shantou (CN)

(\*\*) Term: **15 Years**

(21) Appl. No.: **29/758,198**

(22) Filed: **Nov. 12, 2020**

(30) **Foreign Application Priority Data**

May 26, 2020 (CN) ..... 202030251758.9

(51) **LOC (13) Cl.** ..... **19-07**

(52) **U.S. Cl.**  
USPC ..... **D19/60**

(58) **Field of Classification Search**  
USPC ..... D19/59-64; D21/335, 342, 468, 338,  
D21/341, 346  
CPC .... A63F 9/00; A63F 9/08; A63F 9/083; A63F  
9/0811; A63F 9/0826; A63F 9/0892;  
A63F 9/20; A63F 9/205; A63F 2009/205;  
G09B 1/04; G09B 1/06; G09B 1/10;  
G09B 1/18; G09B 1/32; G09B 19/00  
See application file for complete search history.

(56) **References Cited**

**U.S. PATENT DOCUMENTS**

D190,492 S \* 6/1961 Eickmeyer et al. .... D19/59  
D197,008 S \* 12/1963 Fleming ..... D19/60  
D229,418 S \* 11/1973 Matsumoto ..... D19/60  
D317,626 S \* 6/1991 Muller ..... D18/7  
5,026,288 A \* 6/1991 Castiglia ..... G09B 1/06  
273/153 R  
D395,468 S \* 6/1998 Wagner ..... D21/478  
6,116,599 A \* 9/2000 Nelson ..... A63F 9/0807  
273/153 S  
D538,856 S 3/2007 Bradford  
D544,548 S \* 6/2007 Miller ..... D21/337  
D635,190 S \* 3/2011 Merrill ..... D19/60

D656,201 S \* 3/2012 Perrin ..... D21/335  
D699,298 S 2/2014 Mahar  
10,463,951 B1 \* 11/2019 Su ..... A63F 9/06  
D897,449 S \* 9/2020 Xu ..... D21/468  
2019/0051213 A1 \* 2/2019 Su ..... A63F 9/12

**FOREIGN PATENT DOCUMENTS**

FR 2559931 A1 \* 8/1985 ..... A63F 9/00  
GB 1370580 A \* 10/1974 ..... A63F 9/00  
GB 2124912 A \* 2/1984 ..... A63F 9/1204  
(Continued)

**OTHER PUBLICATIONS**

Amazon. Link: [https://www.amazon.com/Matching-Learning-Recognition-Spelling-Increases/dp/B08MX6FCQR/ref=sr\\_1\\_1?dchild=1&keywords=B08MX6FCQR&qid=1626442666&s=home-garden&sr=1-1](https://www.amazon.com/Matching-Learning-Recognition-Spelling-Increases/dp/B08MX6FCQR/ref=sr_1_1?dchild=1&keywords=B08MX6FCQR&qid=1626442666&s=home-garden&sr=1-1). Nov. 6, 2020. HONTOK 2 in 1 Matching Letter Game. (Year: 2020).\*

(Continued)

*Primary Examiner* — Lauren D McVey

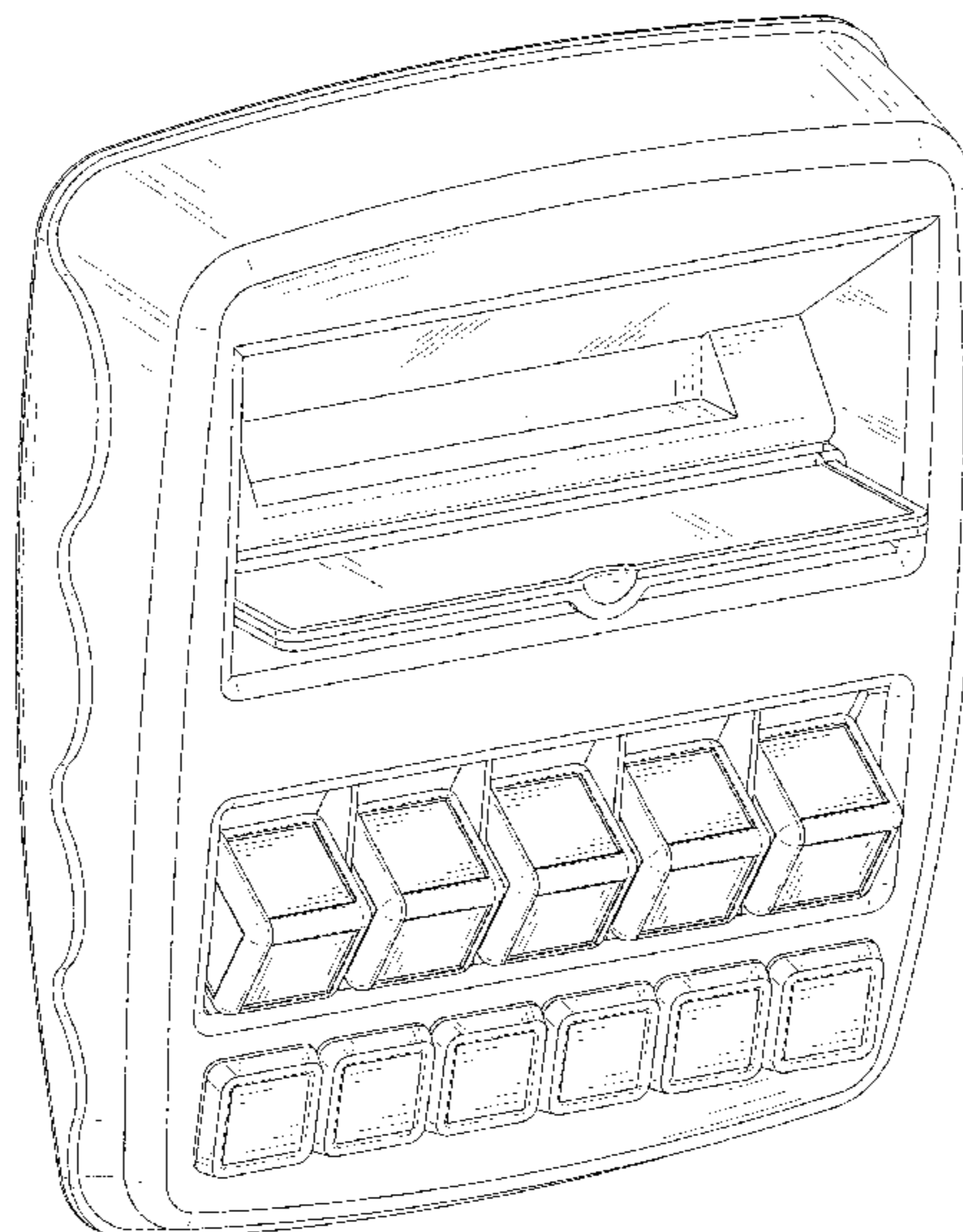
(57) **CLAIM**

The ornamental design for an educational game, as shown and described.

**DESCRIPTION**

FIG. 1 is a perspective view of an educational game showing my new design;  
FIG. 2 is another perspective view thereof;  
FIG. 3 is a front elevational view thereof;  
FIG. 4 is a rear elevational view thereof;  
FIG. 5 is a left side elevational view thereof;  
FIG. 6 is a right side elevational view thereof;  
FIG. 7 is a top plan view thereof; and,  
FIG. 8 is a bottom plan view thereof.  
The broken lines in the drawings depict portions of the educational game that form no part of the claimed design.

**1 Claim, 8 Drawing Sheets**



(56)

**References Cited**

FOREIGN PATENT DOCUMENTS

GB	2004202	*	6/1990
GB	4002962	*	8/2007

OTHER PUBLICATIONS

Amazon. Link: [https://www.amazon.com/Alagoo-Matching-Alphabet-Recognition-Educational/dp/B0969647DC/ref=sr\\_1\\_4?dchild=1&keywords=B0969647DC&qid=1626443336&s=toys-and-games&sr=1-4](https://www.amazon.com/Alagoo-Matching-Alphabet-Recognition-Educational/dp/B0969647DC/ref=sr_1_4?dchild=1&keywords=B0969647DC&qid=1626443336&s=toys-and-games&sr=1-4). Sep. 21, 2020. Alagoo 2 in 1 Matching Letter Game & Number Matching Game. (Year: 2020).\*

Amazon. Link: [https://www.amazon.com/dp/B08D9M8469/ref=cm\\_sw\\_em\\_r\\_mt\\_dp\\_4K1D89WWASJ3YH41XJNQ?\\_encoding=UTF8&psc=1](https://www.amazon.com/dp/B08D9M8469/ref=cm_sw_em_r_mt_dp_4K1D89WWASJ3YH41XJNQ?_encoding=UTF8&psc=1). Jul. 21, 2020. Tesoky Learning Toys for 2-8 Year Old Kids. (Year: 2020).\*

Amazon. Link: [https://www.amazon.com/KiddoZone-Educational-Spelling-Learning-Matching/dp/B08RS7GV92/ref=sr\\_1\\_1?dchild=1&keywords=B08RS7GV92&qid=1626442562&s=toys-and-games&sr=1-1](https://www.amazon.com/KiddoZone-Educational-Spelling-Learning-Matching/dp/B08RS7GV92/ref=sr_1_1?dchild=1&keywords=B08RS7GV92&qid=1626442562&s=toys-and-games&sr=1-1). Apr. 10, 2021. KiddoZone Educational Games. (Year: 2021).\*

\* cited by examiner

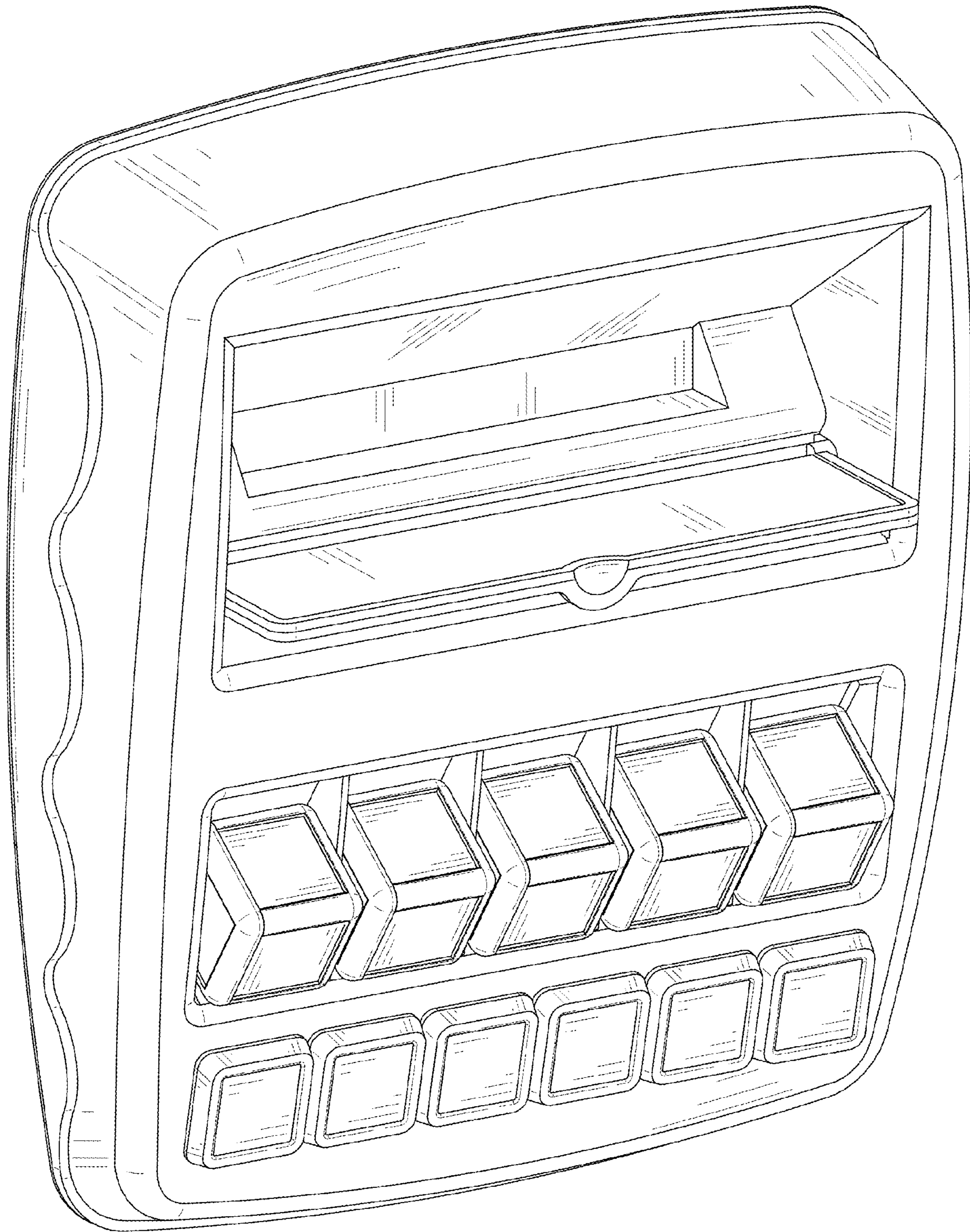


FIG. 1

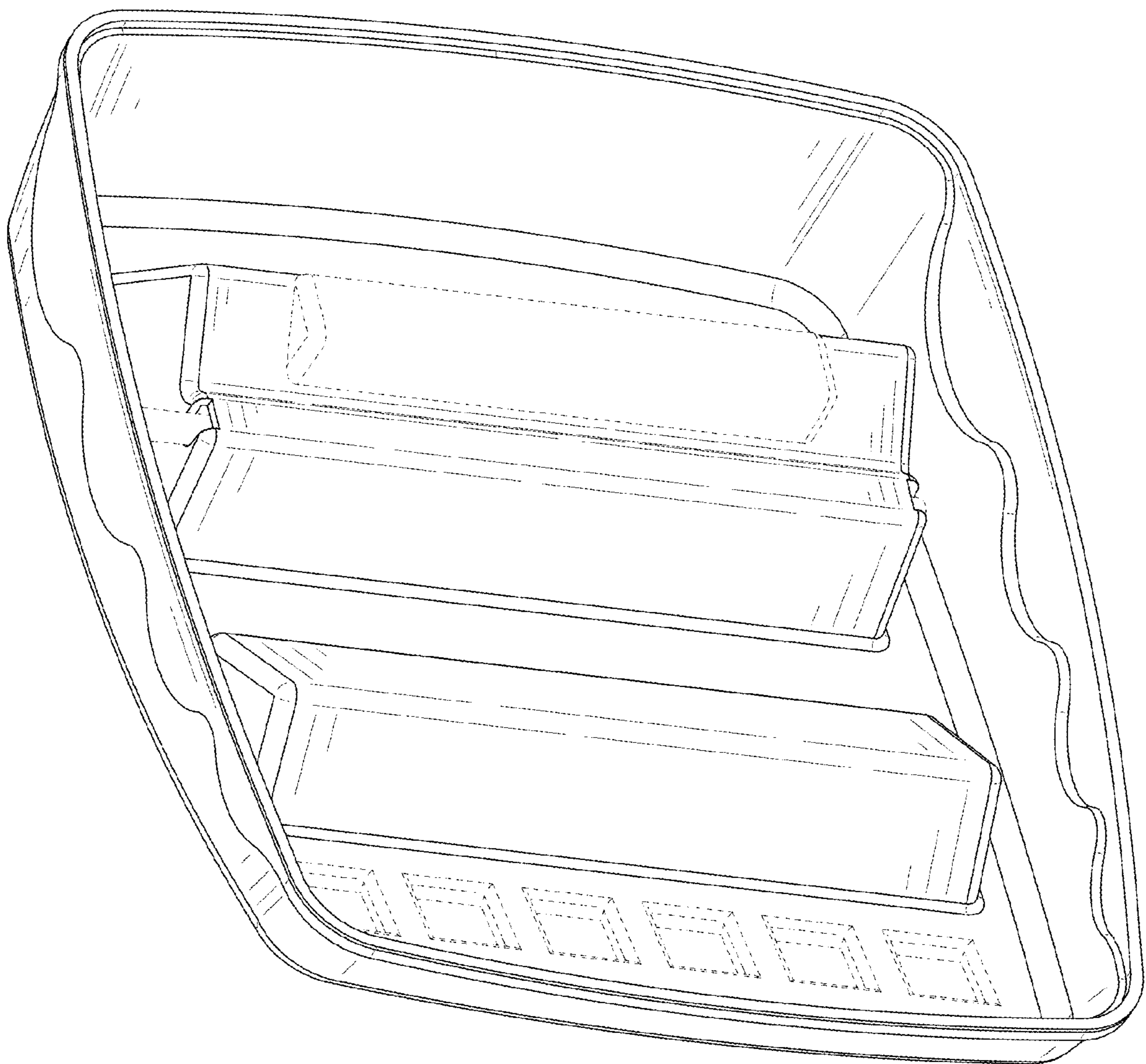


FIG. 2

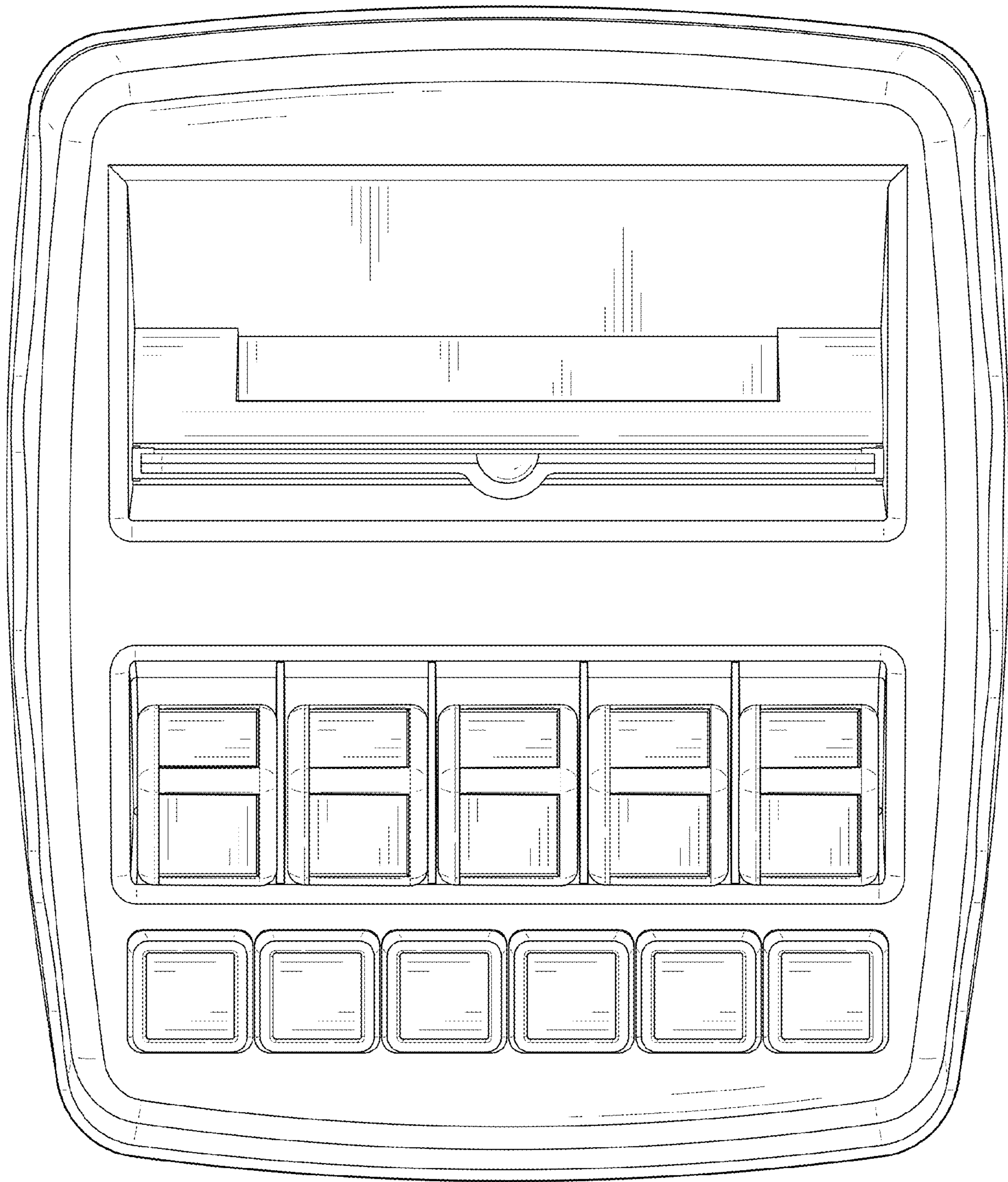


FIG. 3

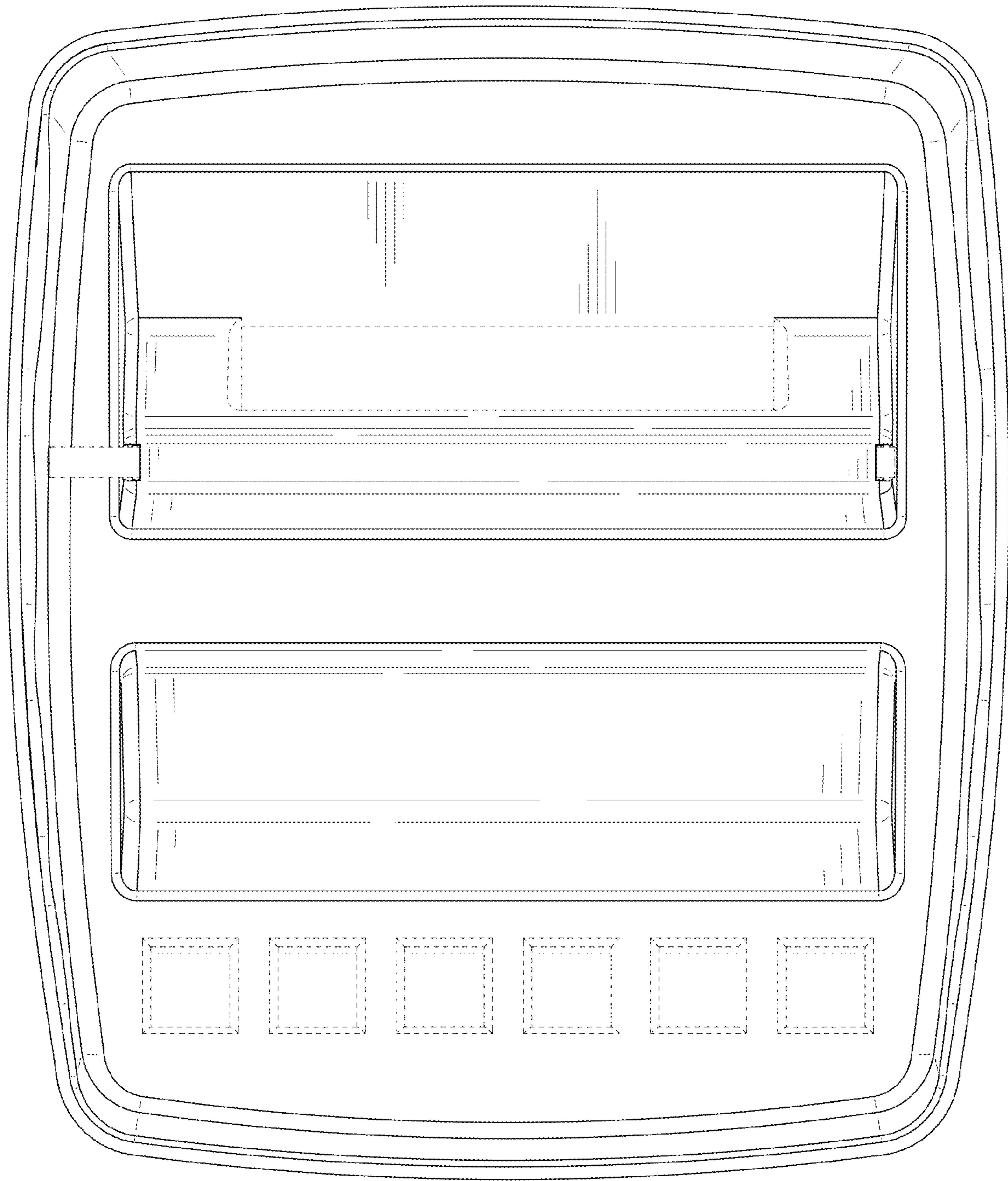


FIG. 4

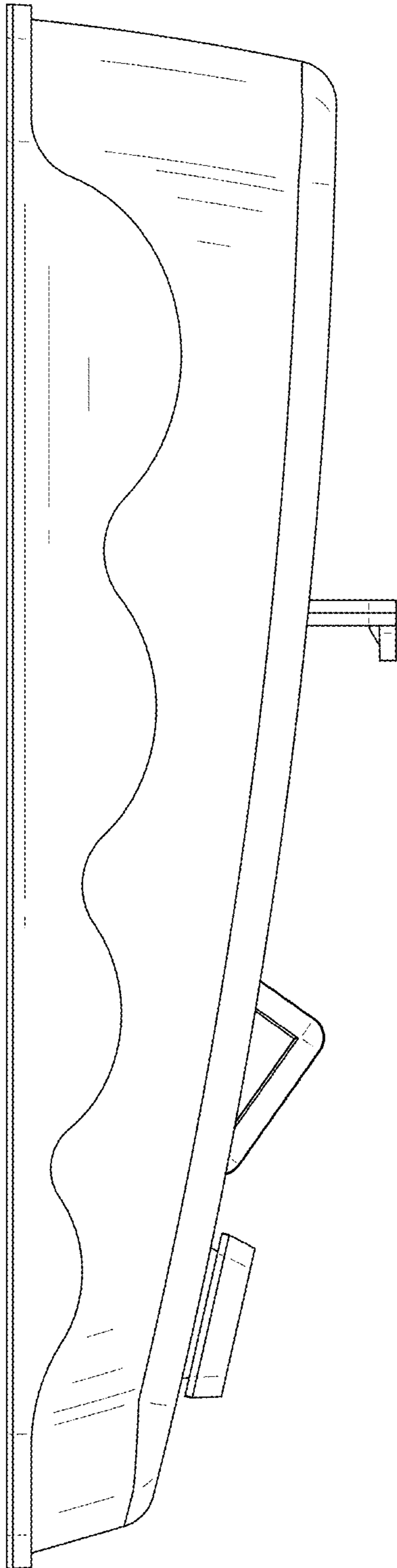


FIG. 5

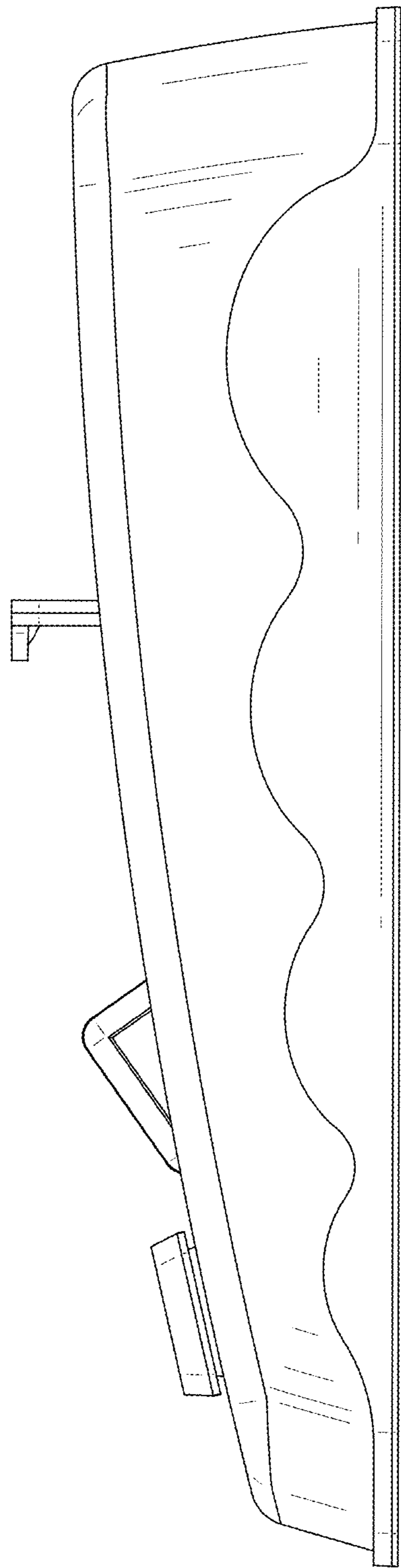


FIG. 6



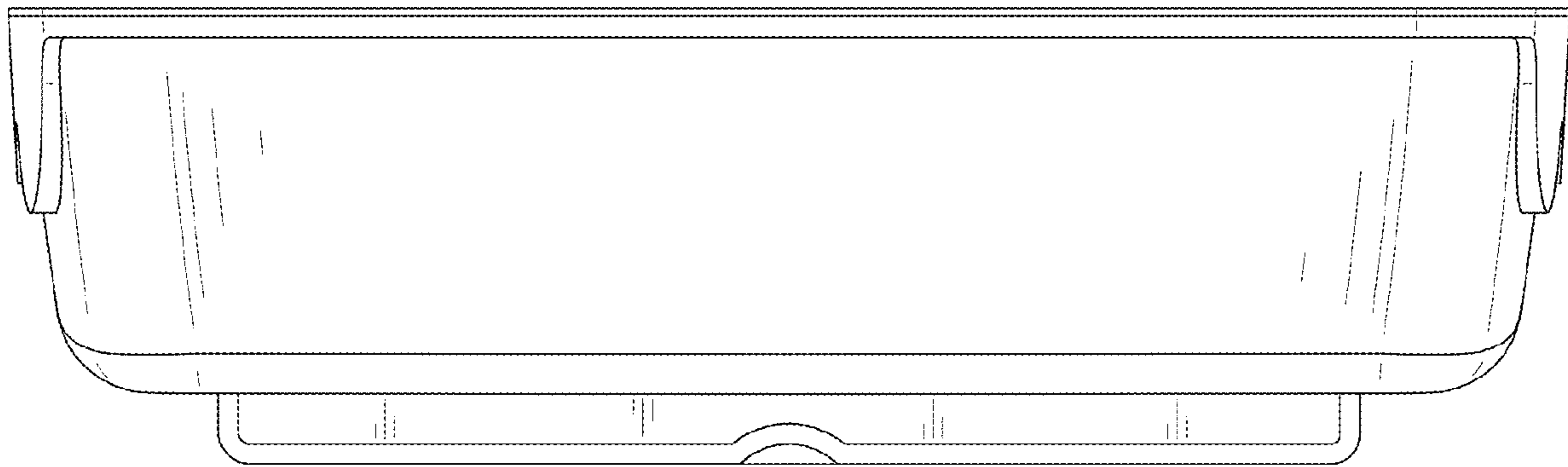


FIG. 7

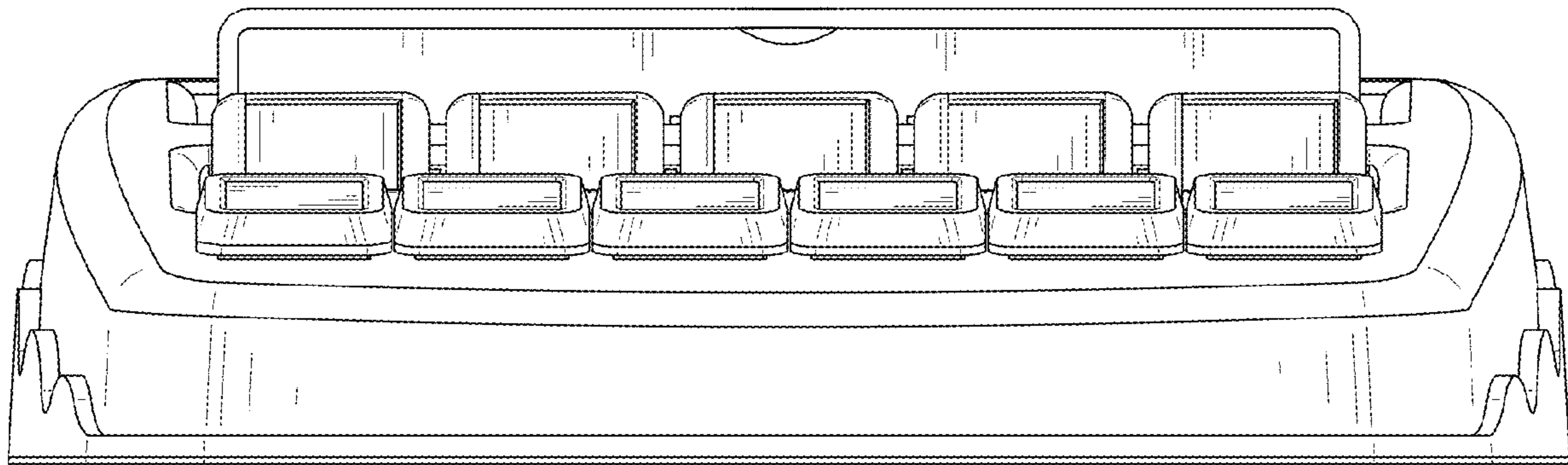


FIG. 8