



US00D944320S

(12) **United States Design Patent**
Hayashi et al.

(10) **Patent No.:** **US D944,320 S**
(45) **Date of Patent:** **** Feb. 22, 2022**

(54) **INK CARTRIDGE FOR COMPUTER PRINTER**

(71) Applicant: **CANON KABUSHIKI KAISHA,**
Tokyo (JP)

(72) Inventors: **Hiroki Hayashi,** Tokyo (JP); **Manabu Ohara,** Tokyo (JP)

(**) Term: **15 Years**

(21) Appl. No.: **35/510,751**

(22) Filed: **Jun. 23, 2020**

(80) **Hague Agreement Data**

Int. Filing Date: **Jun. 23, 2020**

Int. Reg. No.: **DM/209014**

Int. Reg. Date: **Jun. 23, 2020**

Int. Reg. Pub. Date: **Nov. 13, 2020**

(30) **Foreign Application Priority Data**

Dec. 24, 2019 (JP) 2019-028578

Dec. 24, 2019 (JP) 2019-028579

(51) **LOC (13) Cl.** **18-02**

(52) **U.S. Cl.**

USPC **D18/56**

(58) **Field of Classification Search**

USPC D18/18, 40, 43, 56, 99

CPC G03G 15/0832; G03G 15/0834; G03G

15/0836; G03G 15/0837; G03G 15/0867;

G03G 15/0868; G03G 15/0872; G03G

15/0877; G03G 15/0898; G03G 15/50;

G03G 15/5016; G03G 15/60; G03G

15/65

See application file for complete search history.

(56) **References Cited**

U.S. PATENT DOCUMENTS

D536,374 S * 2/2007 Shinada 347/86

7,334,887 B2 * 2/2008 Andersen B41J 2/17513

347/85

D563,463 S * 3/2008 Ishizawa 347/86

D563,465 S * 3/2008 Ishizawa 347/86

D580,107 S * 11/2008 Ishizawa D18/56

D611,532 S * 3/2010 Nanjo D18/56

D624,960 S * 10/2010 Inoue D18/56

D626,173 S * 10/2010 Inoue D18/56

D627,818 S * 11/2010 Ishizawa D18/56

8,061,826 B2 * 11/2011 Lewis B41J 2/17536

347/86

8,075,114 B2 * 12/2011 Watanabe B41J 2/17566

347/86

(Continued)

FOREIGN PATENT DOCUMENTS

JP D1310065 S 9/2007

JP D1454997 S 10/2012

Primary Examiner — Khawaja Anwar

(57) **CLAIM**

The ornamental design for an ink cartridge for computer printer, as shown and described.

DESCRIPTION

1.-2. Ink cartridge for computer printer

1.1 : Front

1.2 : Back

1.3 : Top

1.4 : Bottom

1.5 : Left

1.6 : Right

1.7 : Perspective

1.8 : Perspective

2.1 : Front

2.2 : Back

2.3 : Top

2.4 : Bottom

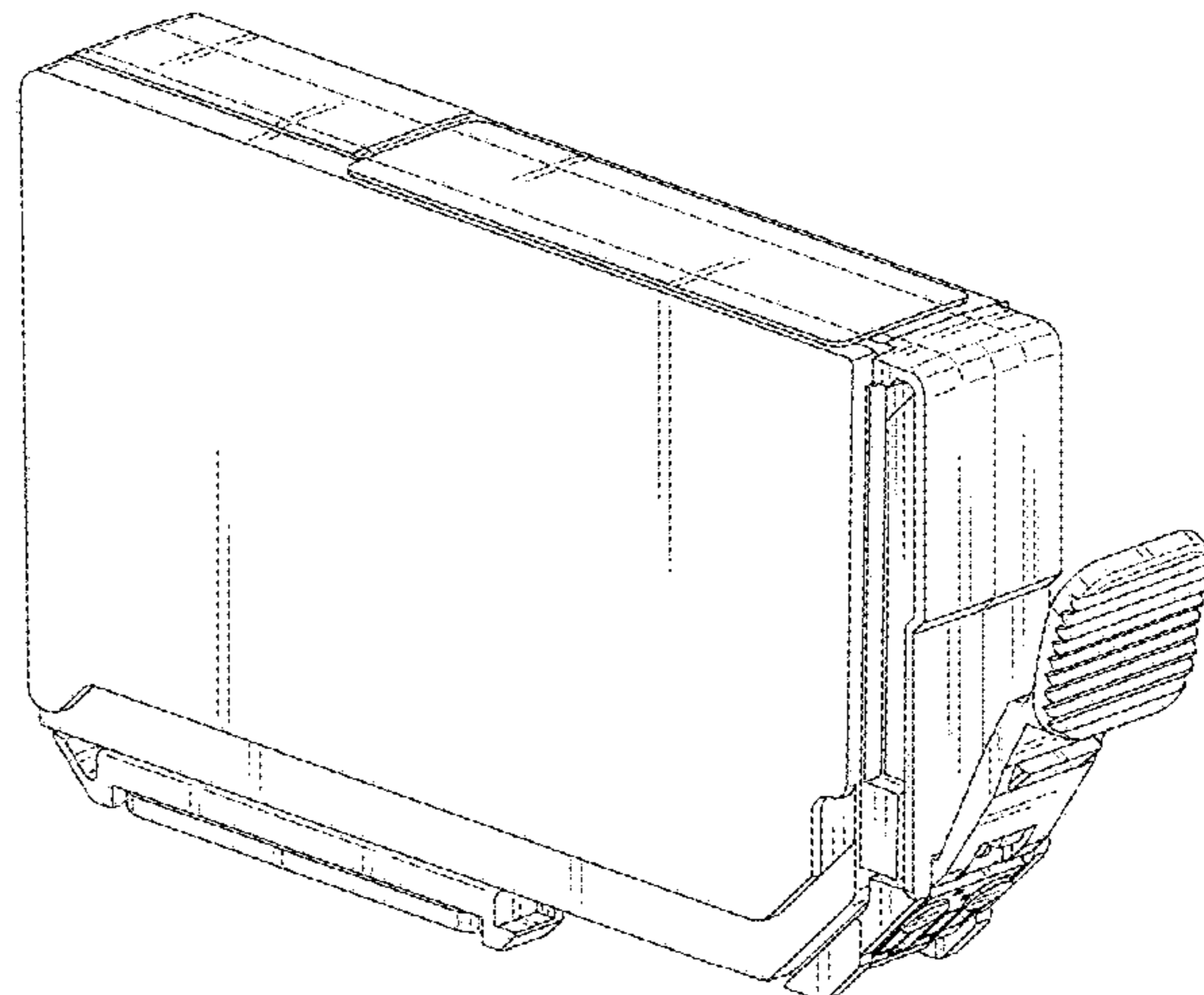
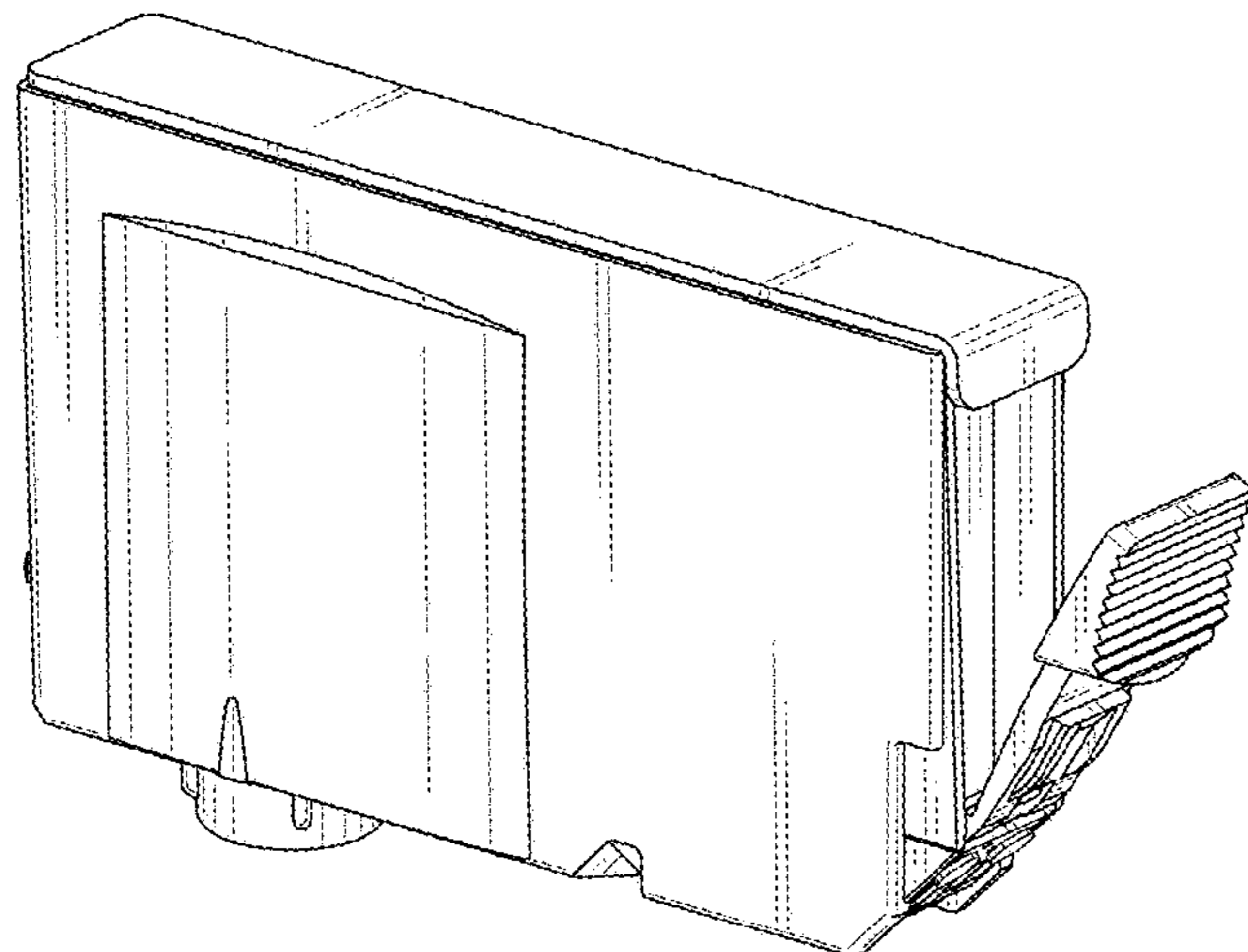
2.5 : Left

2.6 : Right

2.7 : Perspective

2.8 : Perspective

1 Claim, 16 Drawing Sheets



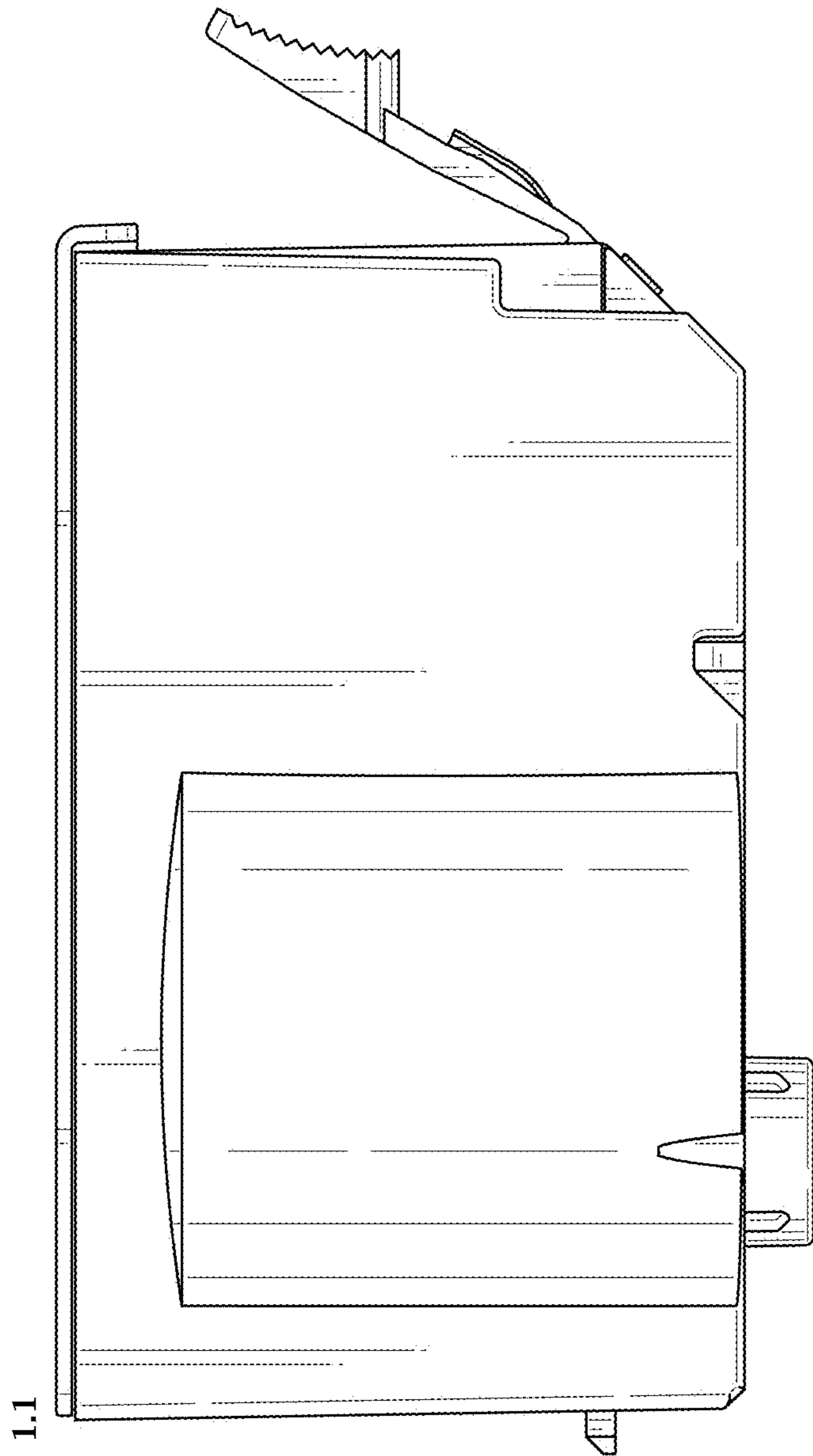
(56)

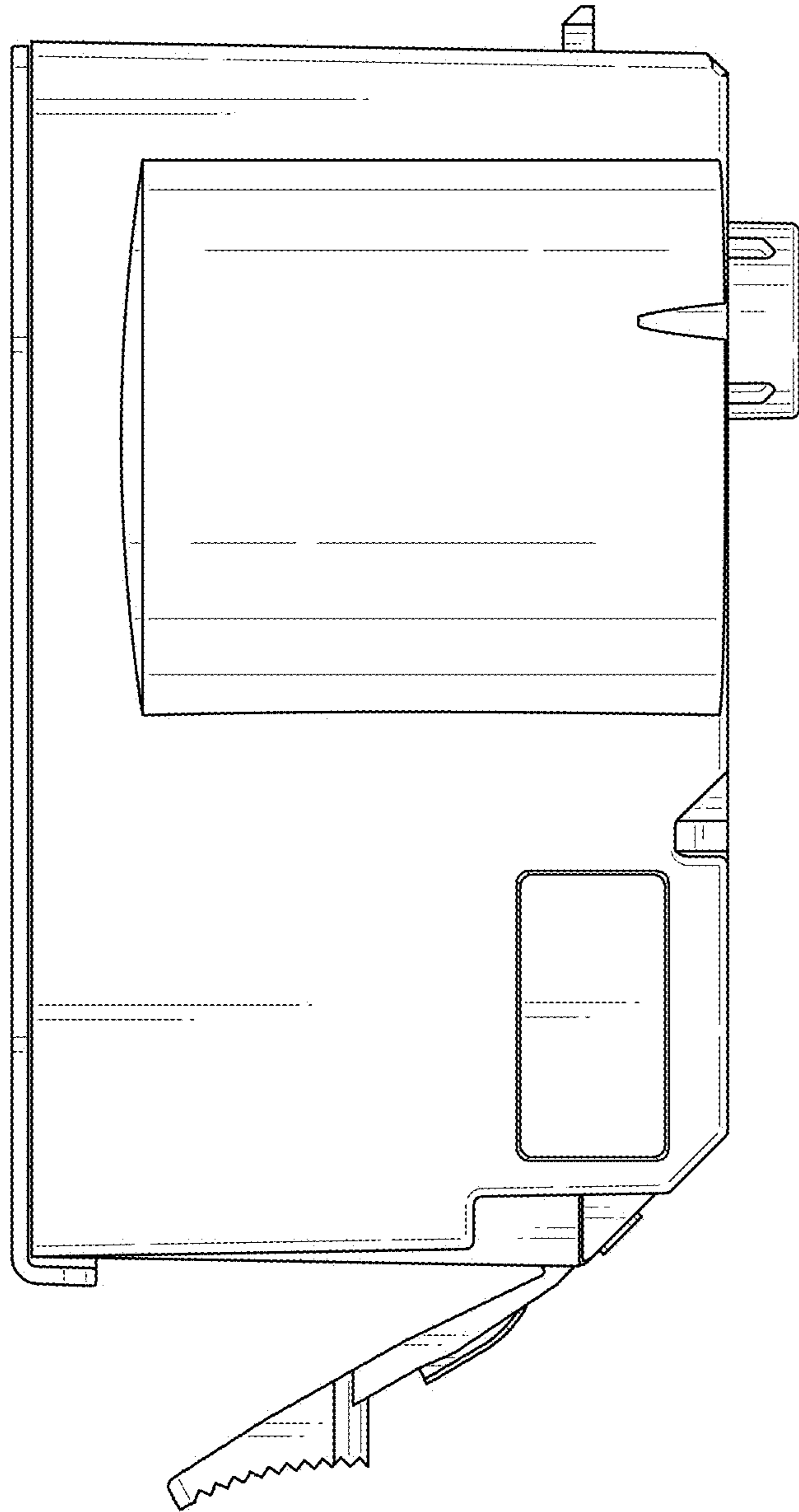
References Cited

U.S. PATENT DOCUMENTS

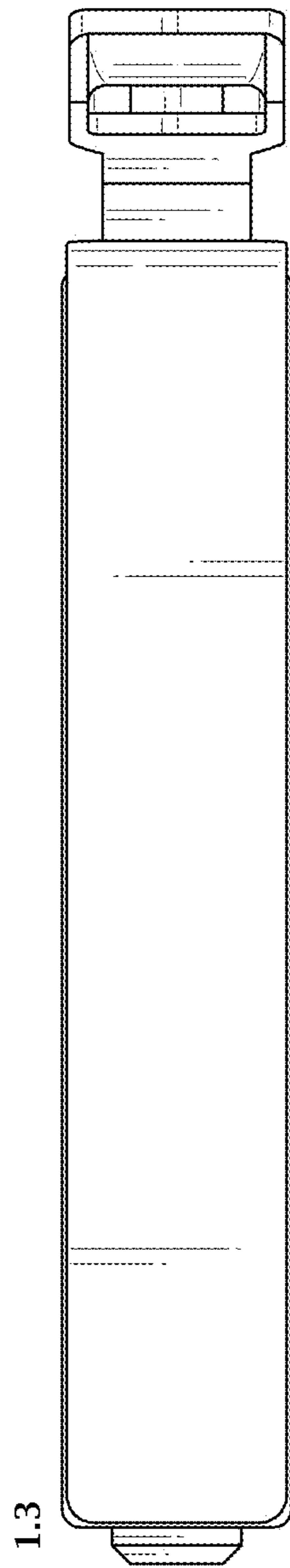
D696,718 S	12/2013	Murakami et al.	
D696,719 S	12/2013	Murakami et al.	
D699,284 S	2/2014	Nanjo et al.	
D762,769 S *	8/2016	Oya	D18/56
D762,770 S *	8/2016	Oya	D18/56
D785,087 S *	4/2017	Hayashi	D18/56

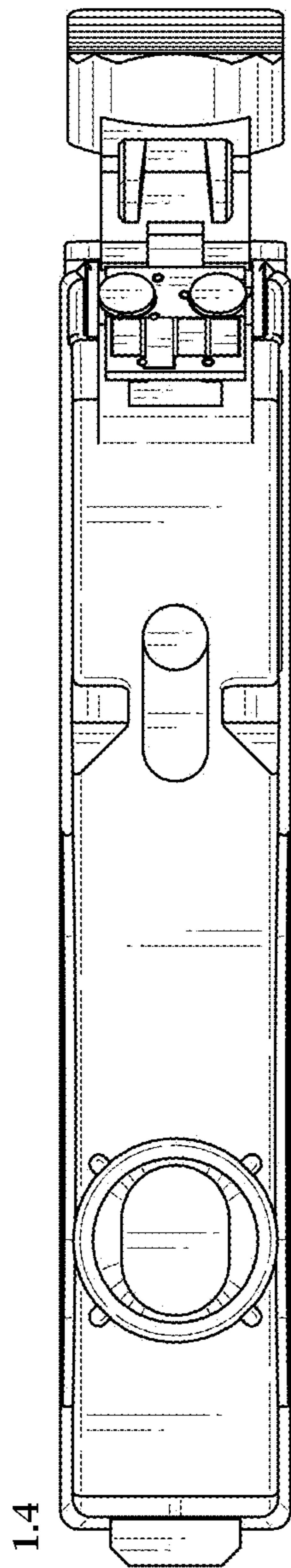
* cited by examiner



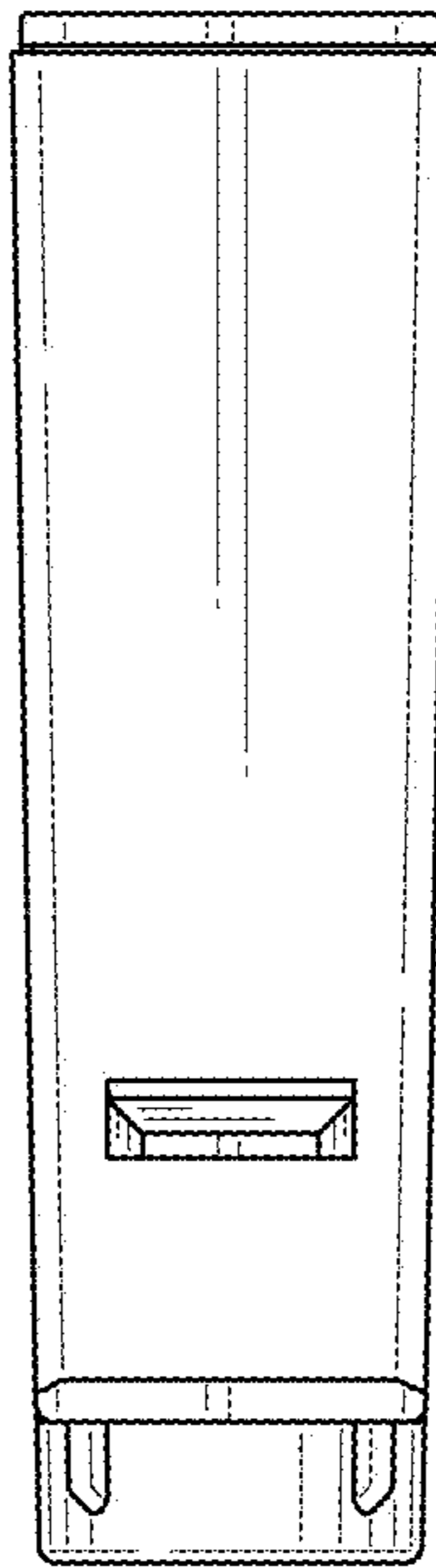


1.2

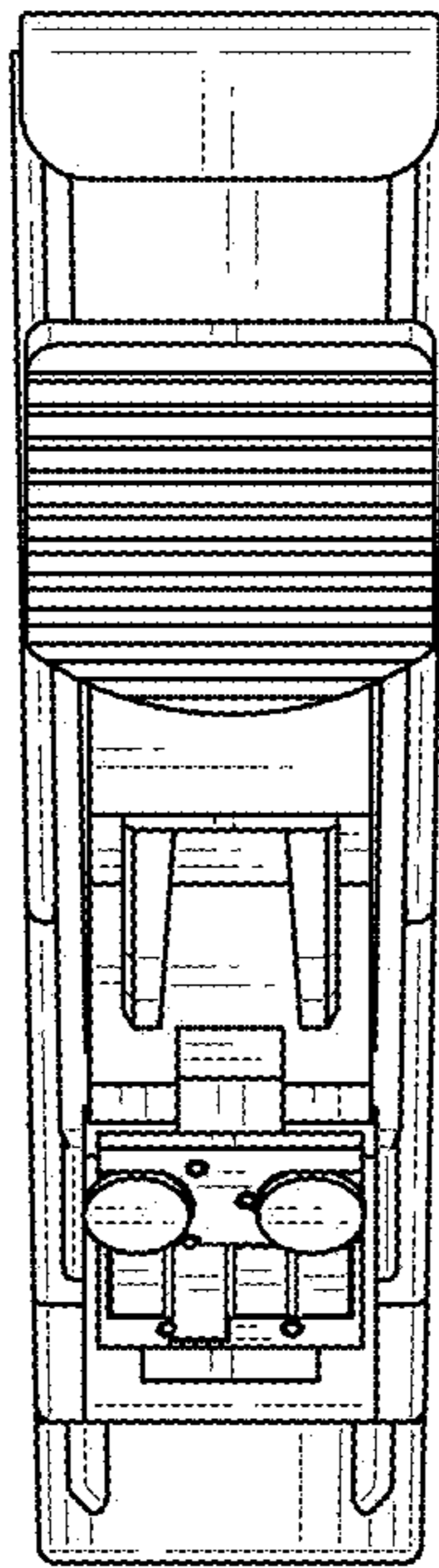


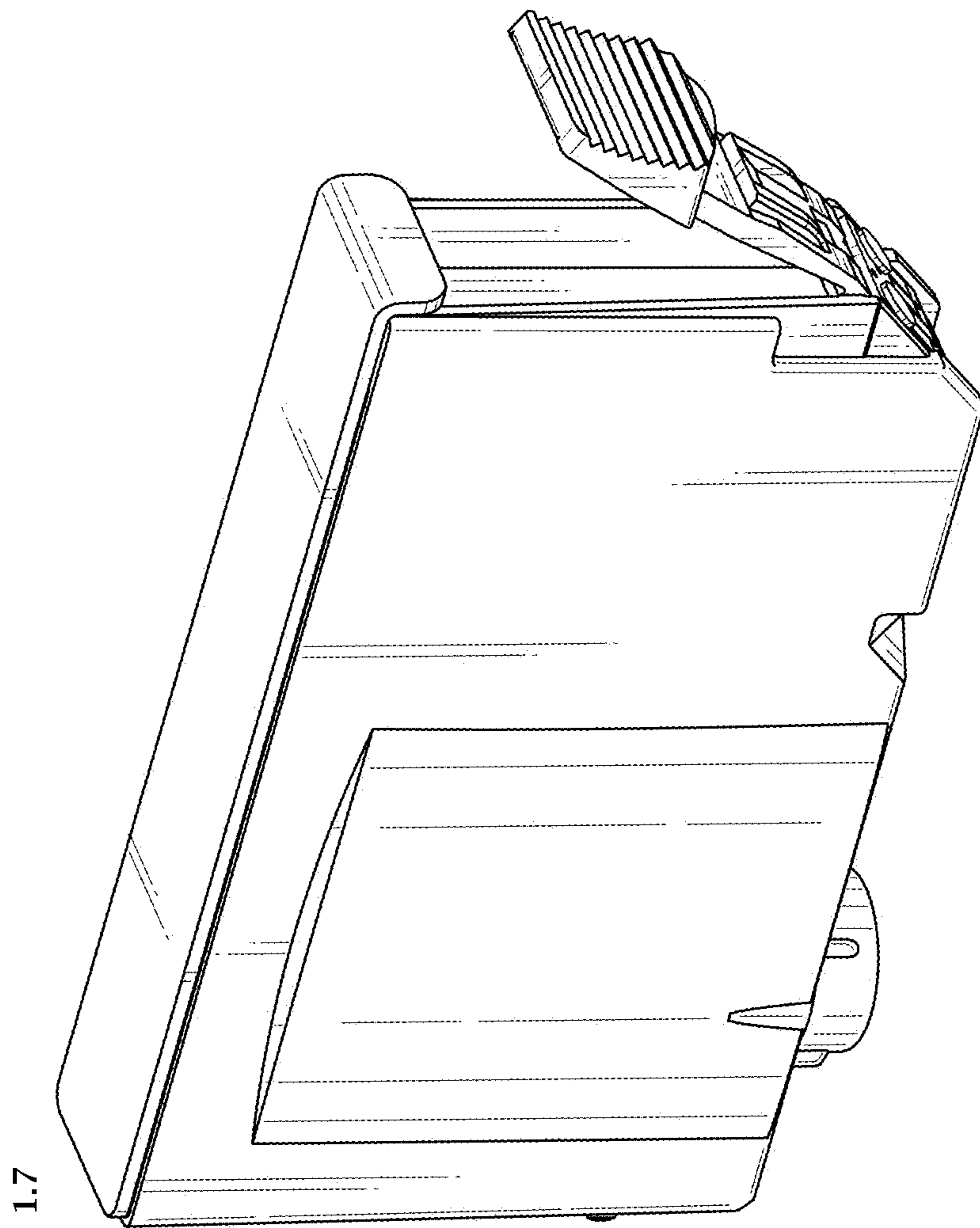


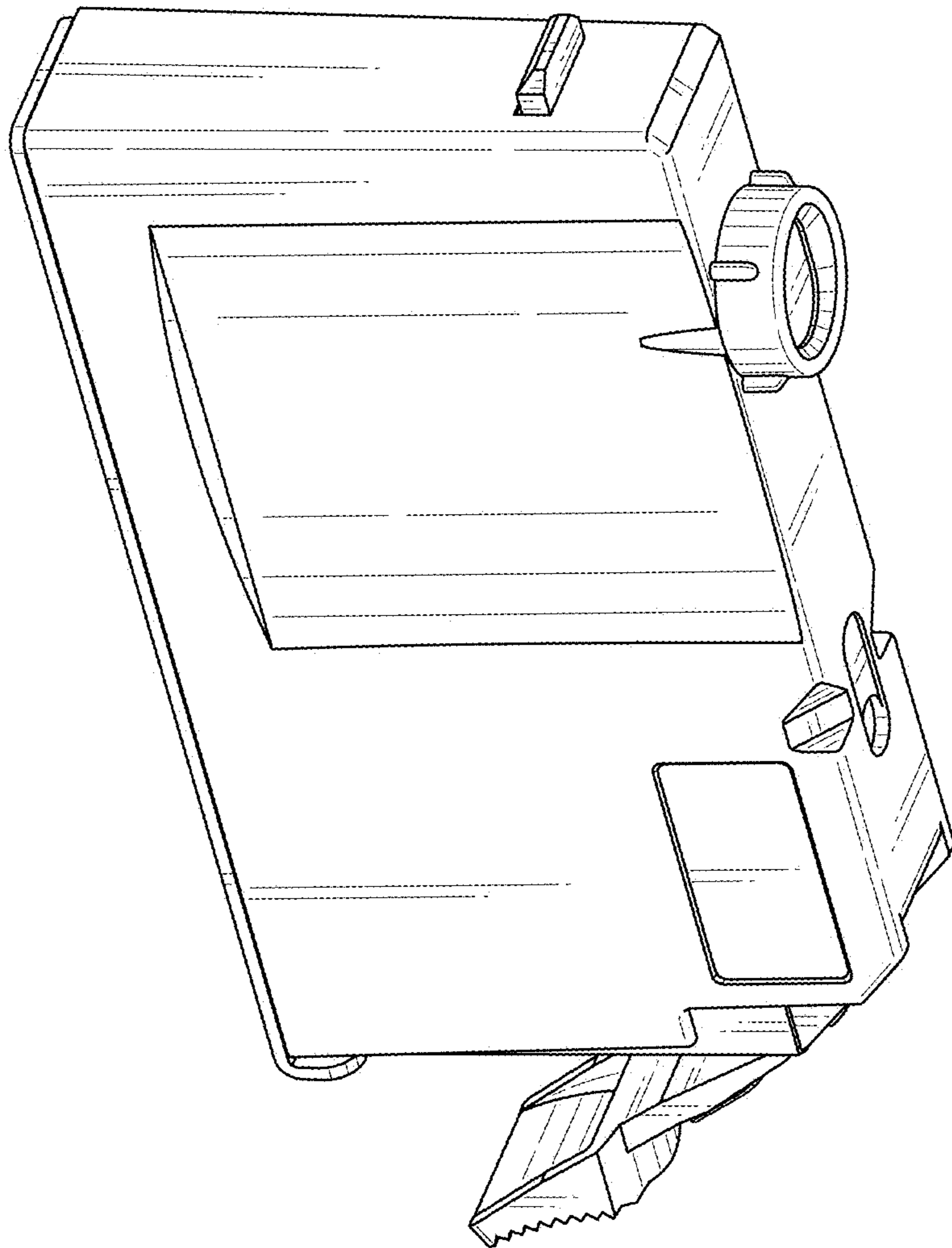
1.5



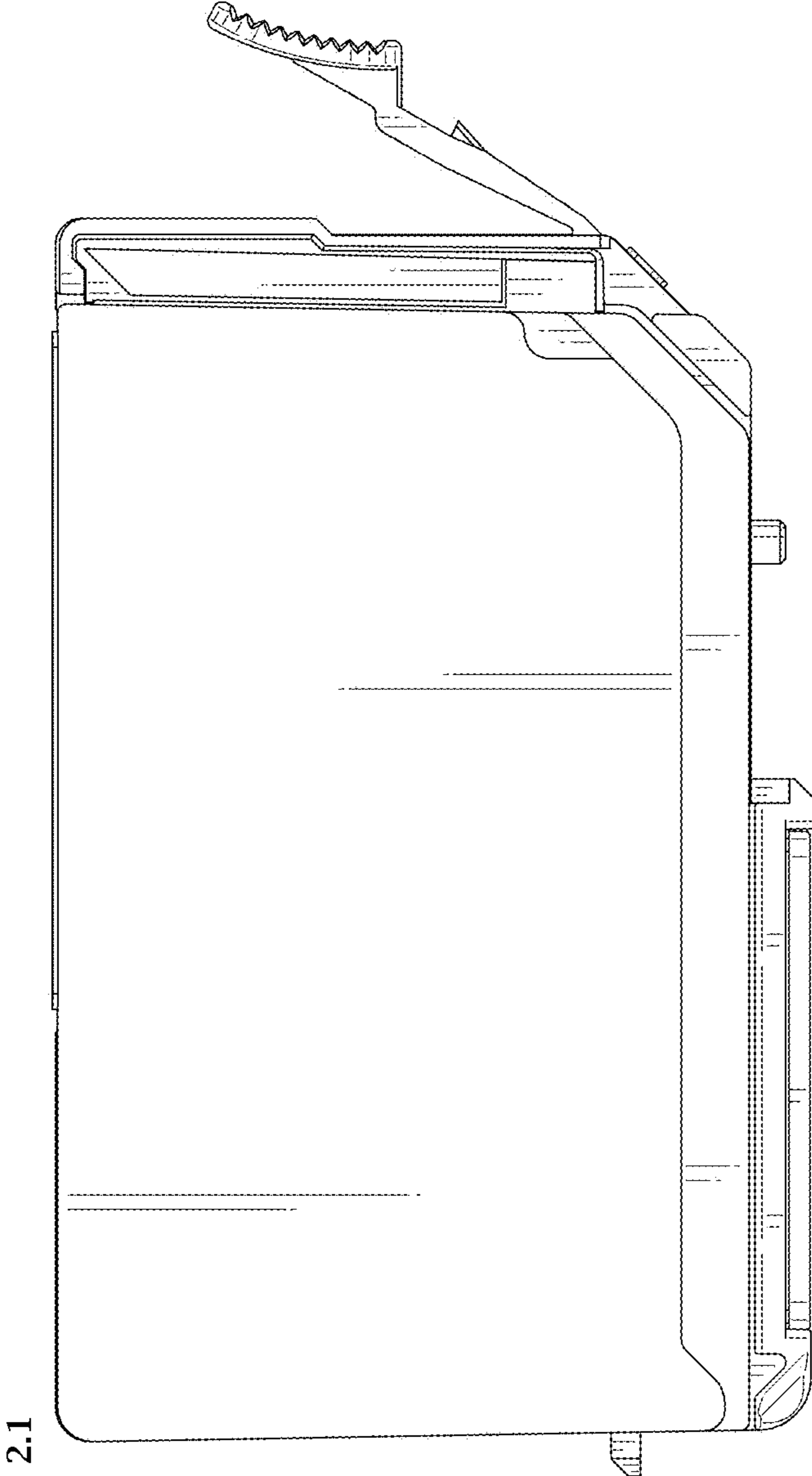
1.6

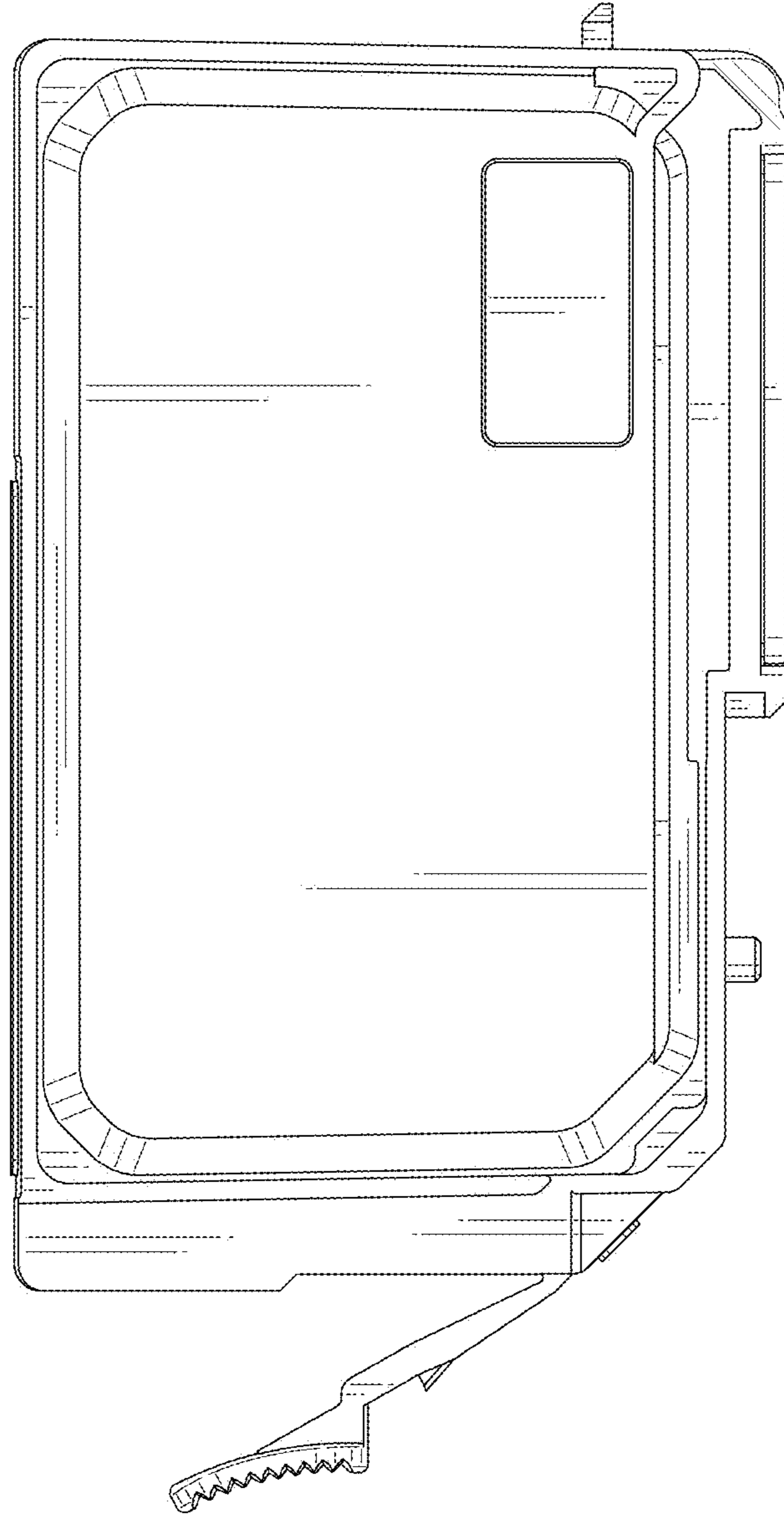




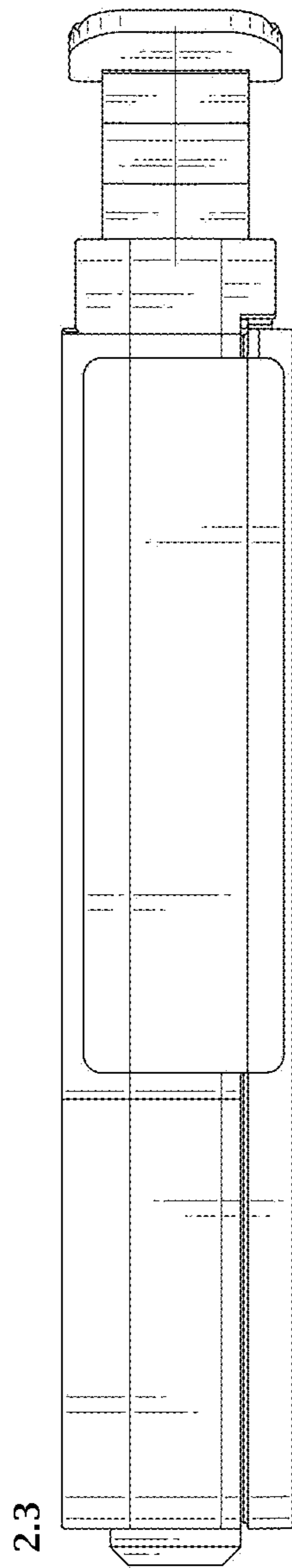


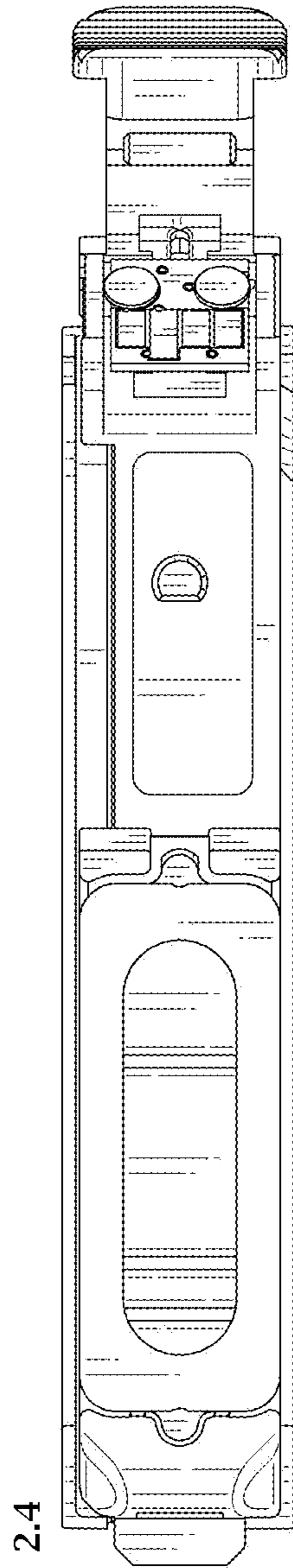
1.8



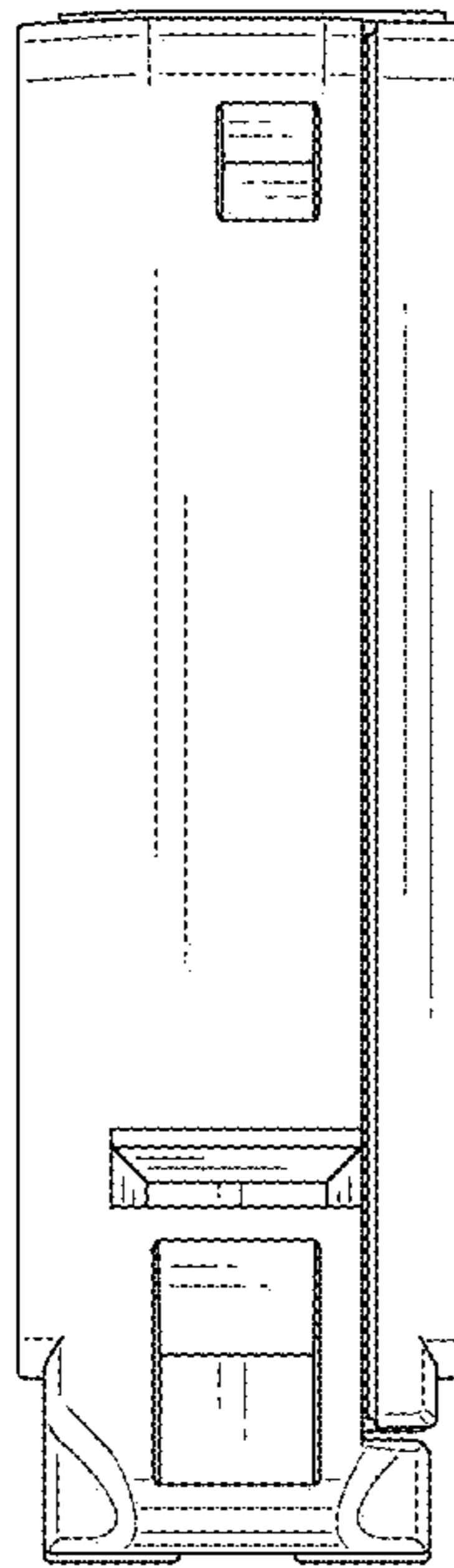


2.2

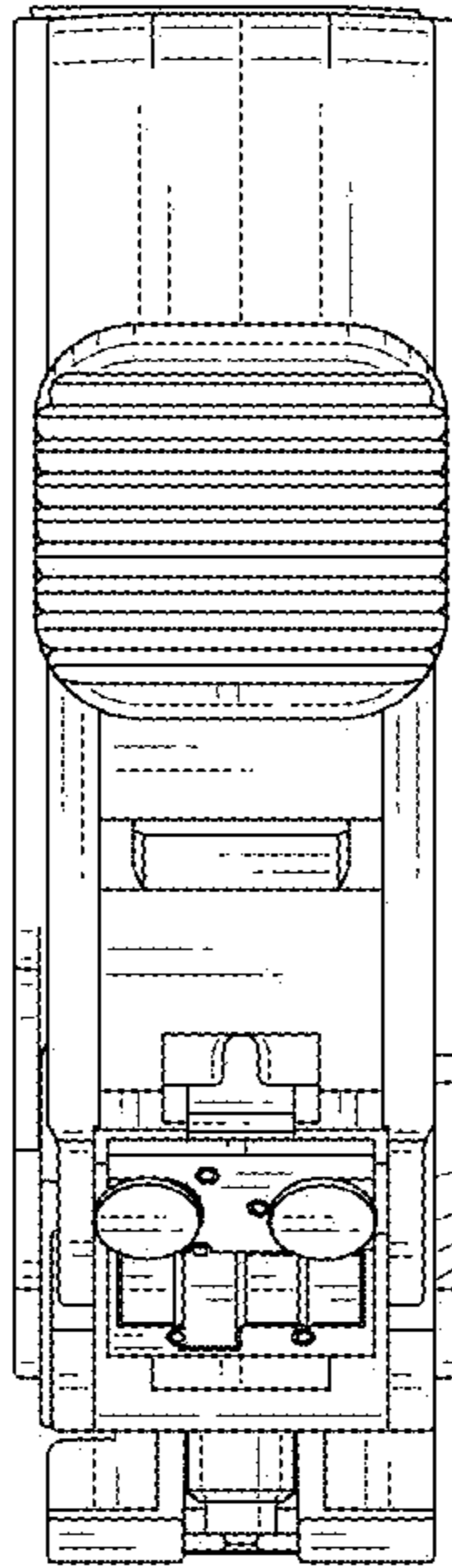


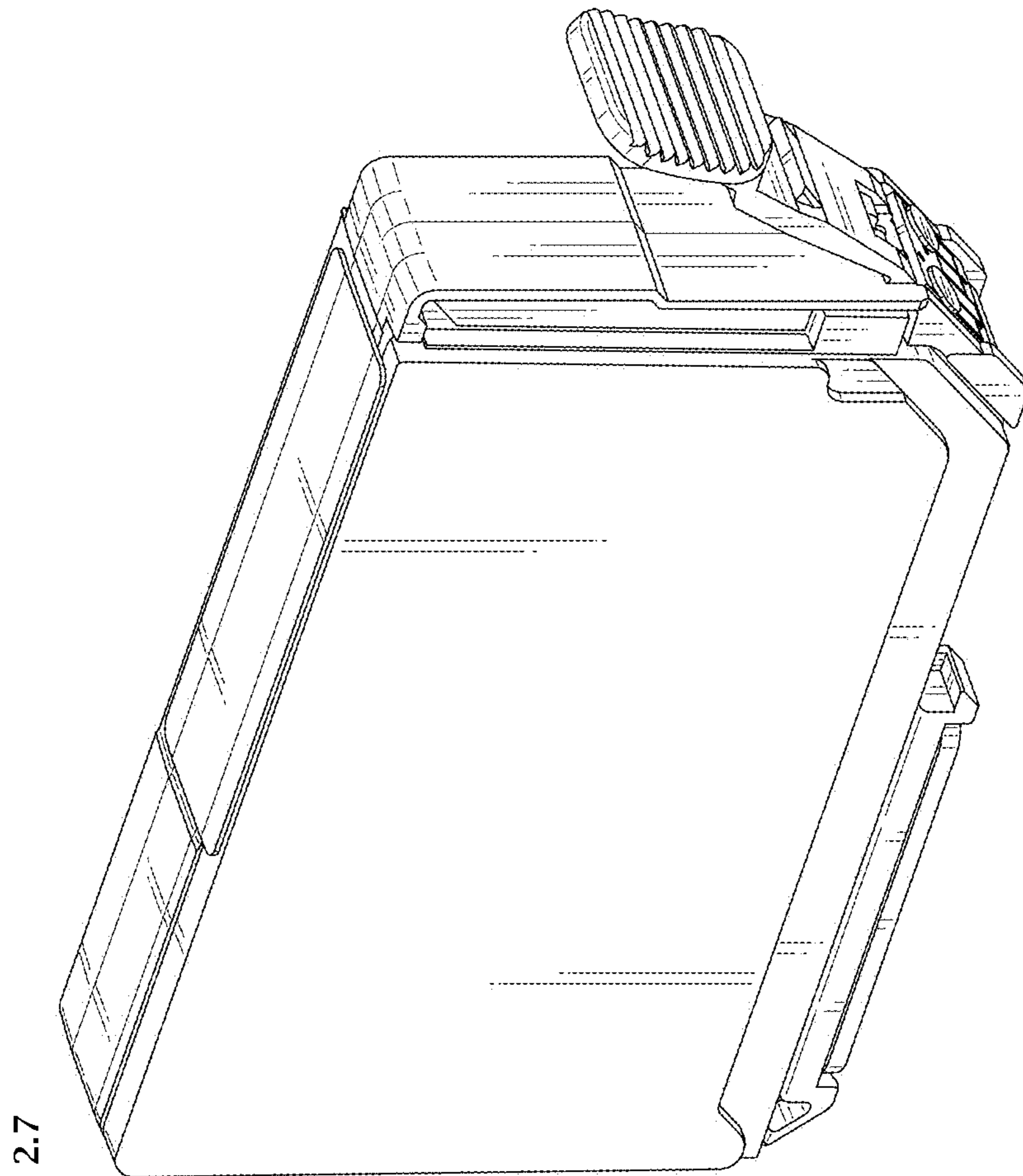


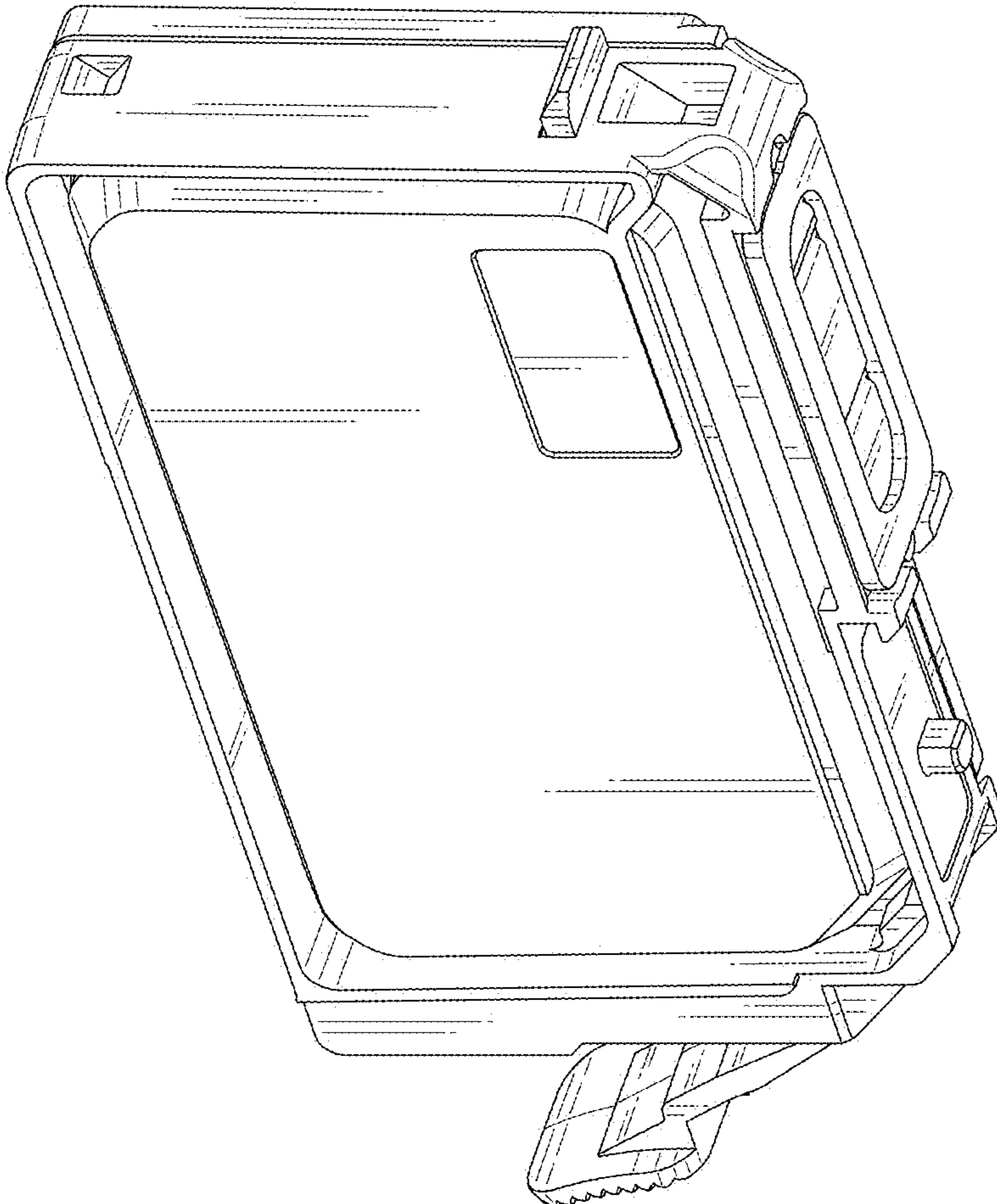
2.5



2.6







2.8