



US00D944317S

(12) **United States Design Patent** (10) **Patent No.:** **US D944,317 S**
Inada (45) **Date of Patent:** **** Feb. 22, 2022**

(54) **PRINTER**
 (71) Applicant: **BROTHER INDUSTRIES, LTD.**,
 Nagoya (JP)
 (72) Inventor: **Toshiya Inada**, Nagoya (JP)
 (73) Assignee: **BROTHER INDUSTRIES, LTD.**,
 Nagoya (JP)

D723,616 S * 3/2015 Nakagawa D18/55
 D750,164 S * 2/2016 So D18/50
 D772,977 S * 11/2016 Kim D18/55
 D786,343 S * 5/2017 Kil D18/55
 D786,348 S * 5/2017 Mita D18/56
 D806,162 S * 12/2017 Tashima D18/50
 D810,194 S * 2/2018 Kim D18/50
 D822,760 S * 7/2018 Xia D18/50
 D824,455 S * 7/2018 Inada D18/50
 D826,319 S * 8/2018 Inada D18/50
 D838,771 S * 1/2019 Kim D18/50

(**) Term: **15 Years**

(21) Appl. No.: **29/708,085**

(22) Filed: **Oct. 3, 2019**

(30) **Foreign Application Priority Data**

Apr. 4, 2019 (JP) 2019-007321

(51) **LOC (13) Cl.** **14-02**

(52) **U.S. Cl.**
 USPC **D18/53**

(58) **Field of Classification Search**
 USPC D18/4.1, 4.4, 4.6, 37, 38, 39, 50, 53, 54,
 D18/55, 59; D14/300, 301, 302, 307
 CPC ... H04N 2201/0094; H04N 2201/0081; H04N
 1/00278

See application file for complete search history.

(56) **References Cited**

U.S. PATENT DOCUMENTS

D534,209 S * 12/2006 Yamaguchi D18/55
 D534,579 S * 1/2007 Yamaguchi D18/55
 D535,325 S * 1/2007 Yamaguchi D18/55
 D643,058 S * 8/2011 Seki D18/55
 D653,703 S * 2/2012 Seki D18/55
 D653,704 S * 2/2012 Seki D18/55

OTHER PUBLICATIONS

Brother HL-L3270CDW—pp. 1 and 6, date Nov. 29, 2018—
 Amazon—29708085—<https://amzn.to/3oiZerc> (Year: 2018).*

* cited by examiner

Primary Examiner — Jennifer L Rempfer
Assistant Examiner — Danielle Nichole Bowly

(74) *Attorney, Agent, or Firm* — Oliff PLC

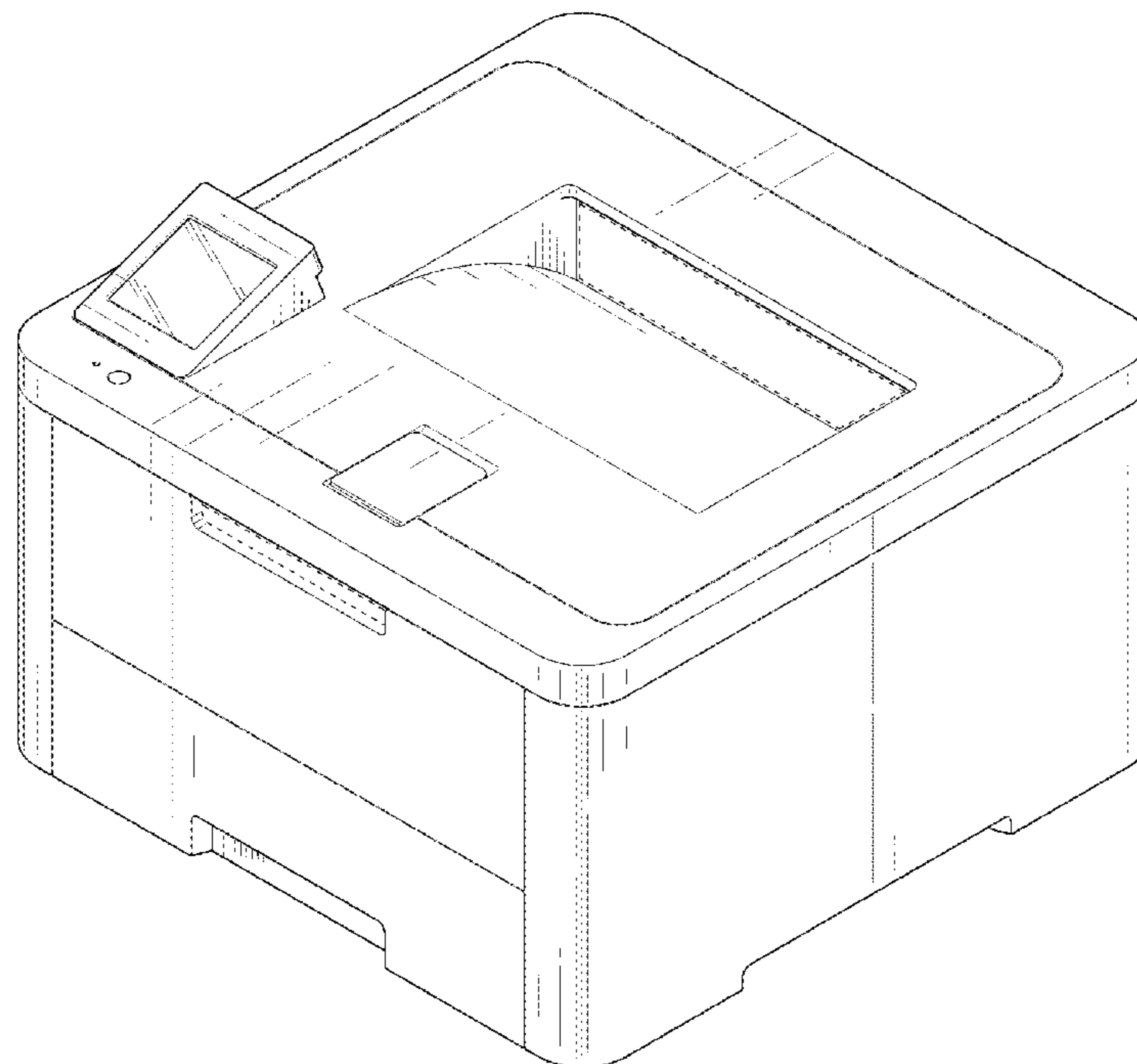
(57) **CLAIM**

The ornamental design for a printer, as shown and described.

DESCRIPTION

FIG. 1 is a perspective view of a printer;
 FIG. 2 is a front elevational view thereof;
 FIG. 3 is a top plan view thereof;
 FIG. 4 is a left-side elevational view thereof;
 FIG. 5 is a right-side elevational view thereof;
 FIG. 6 is a rear elevational view thereof; and,
 FIG. 7 is a bottom plan view thereof.
 The evenly spaced broken lines depict unclaimed parts of
 the printer and form no part of the claimed design.

1 Claim, 7 Drawing Sheets



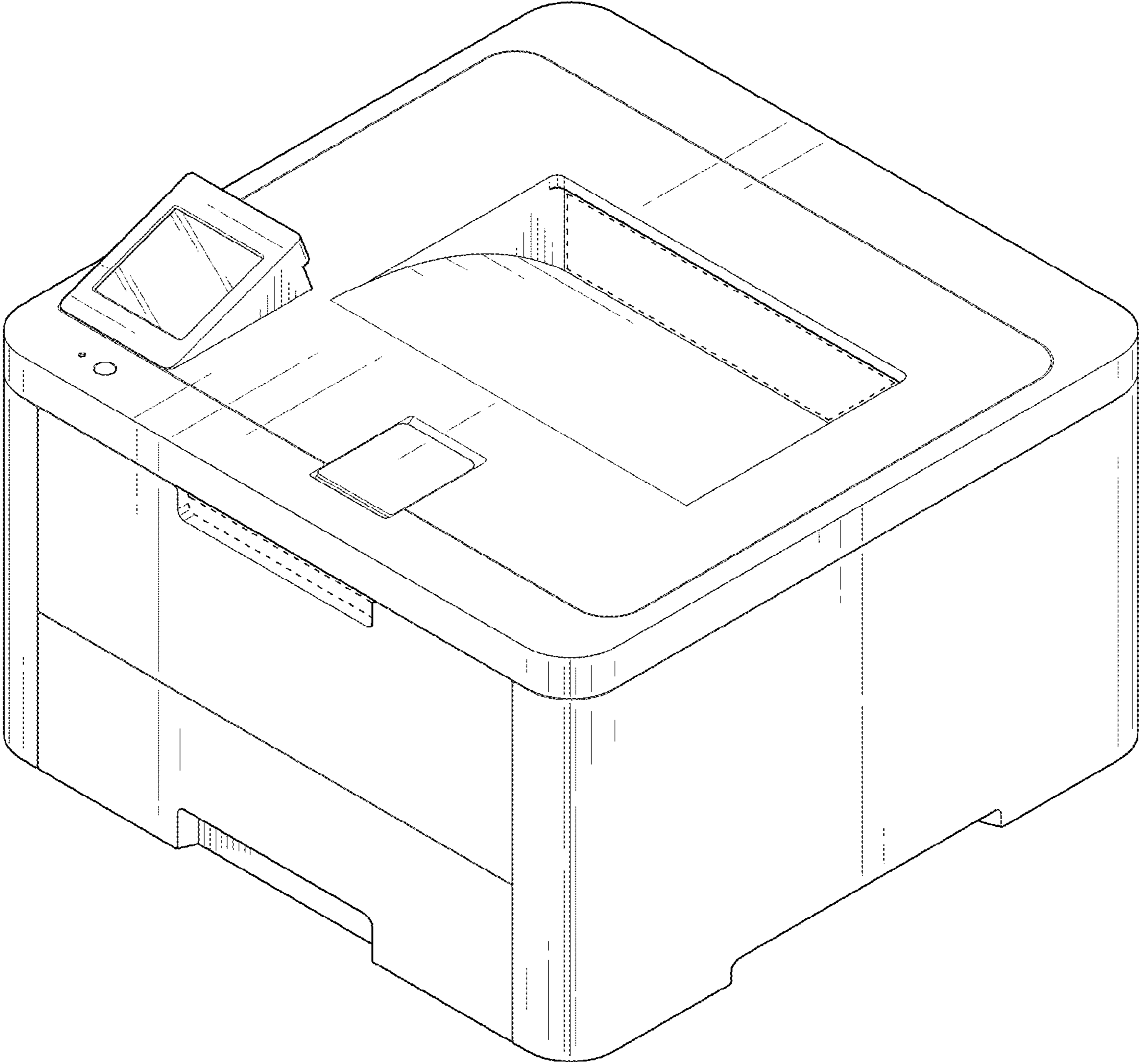


FIG. 1

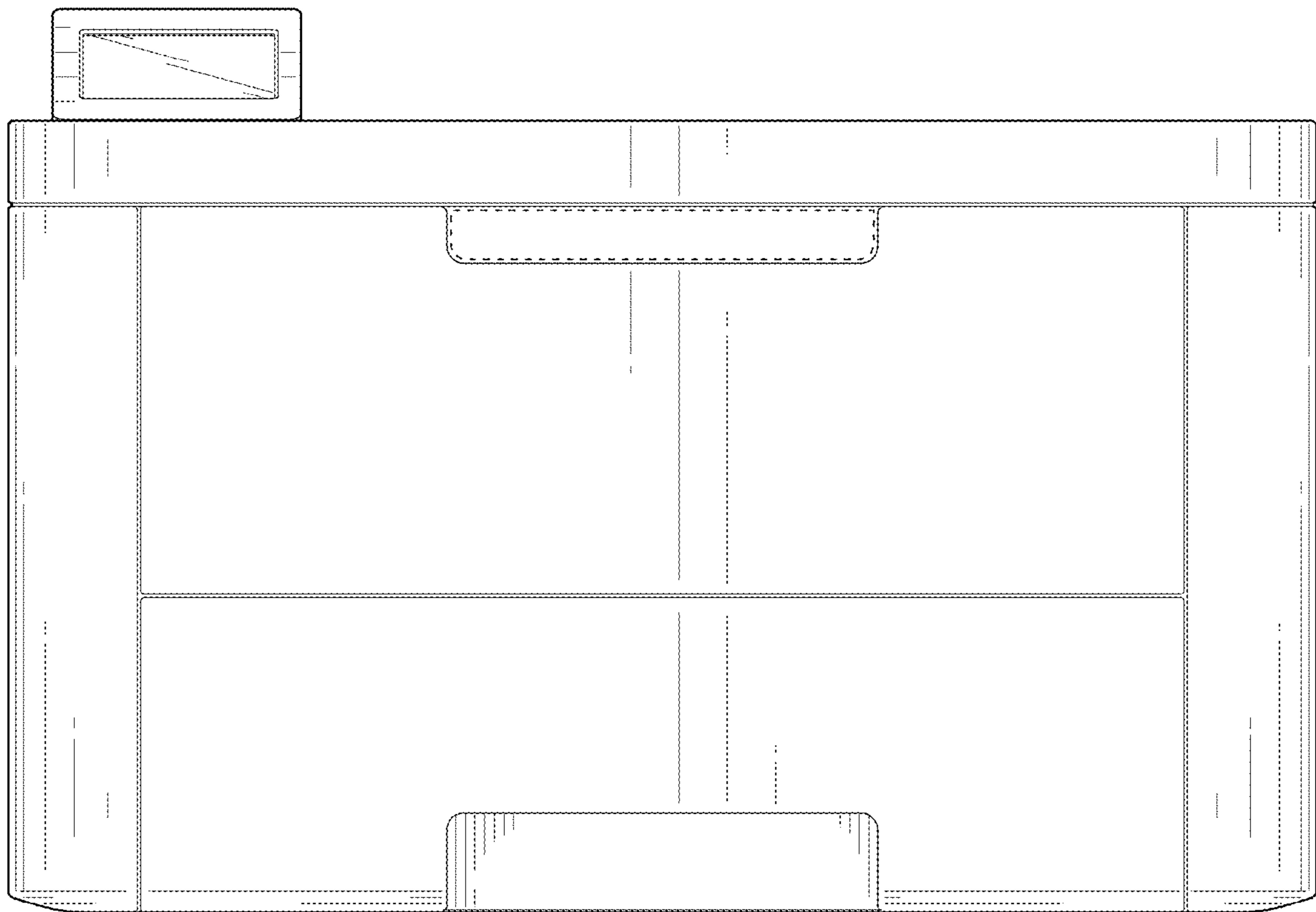


FIG. 2

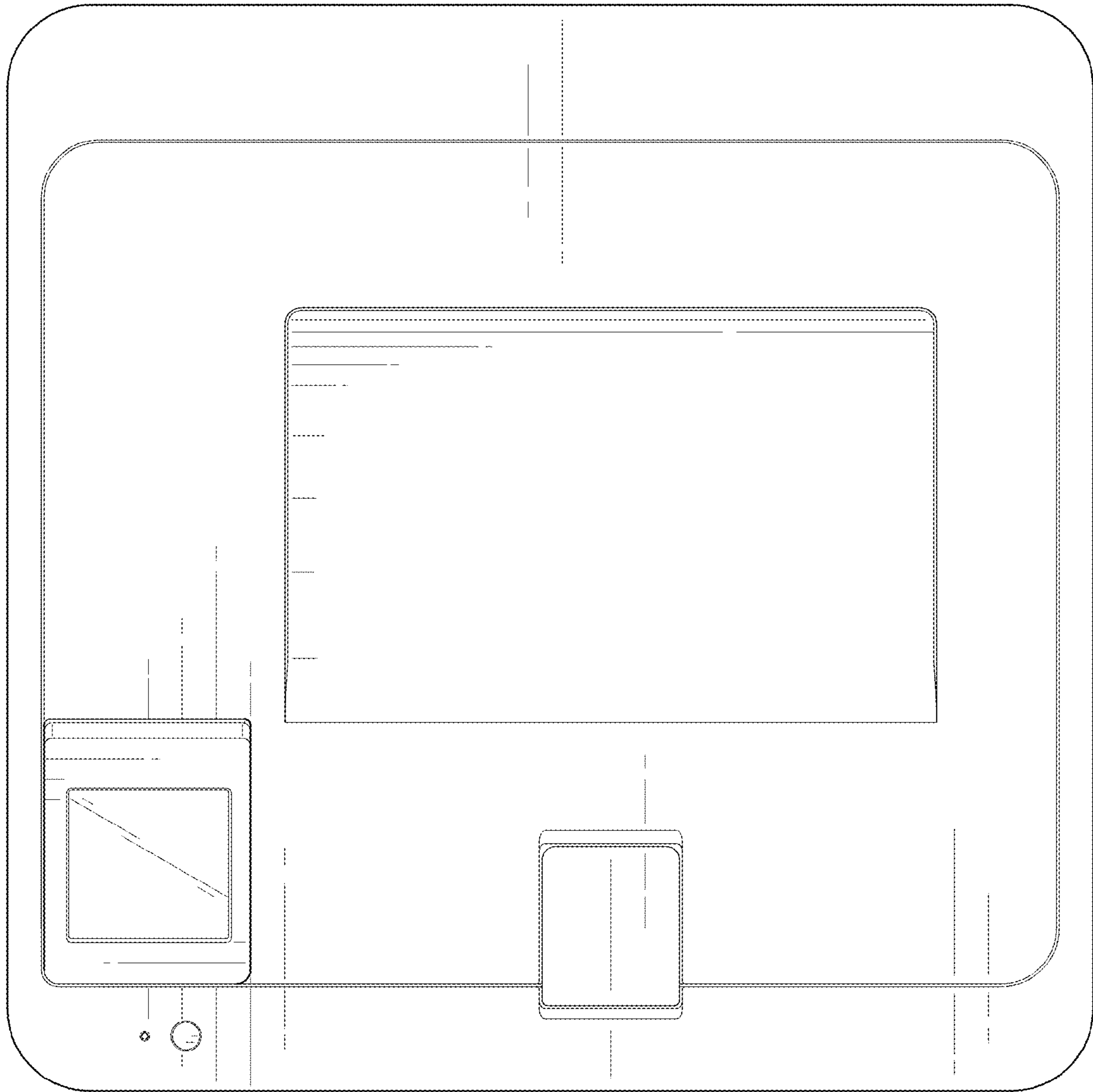


FIG. 3

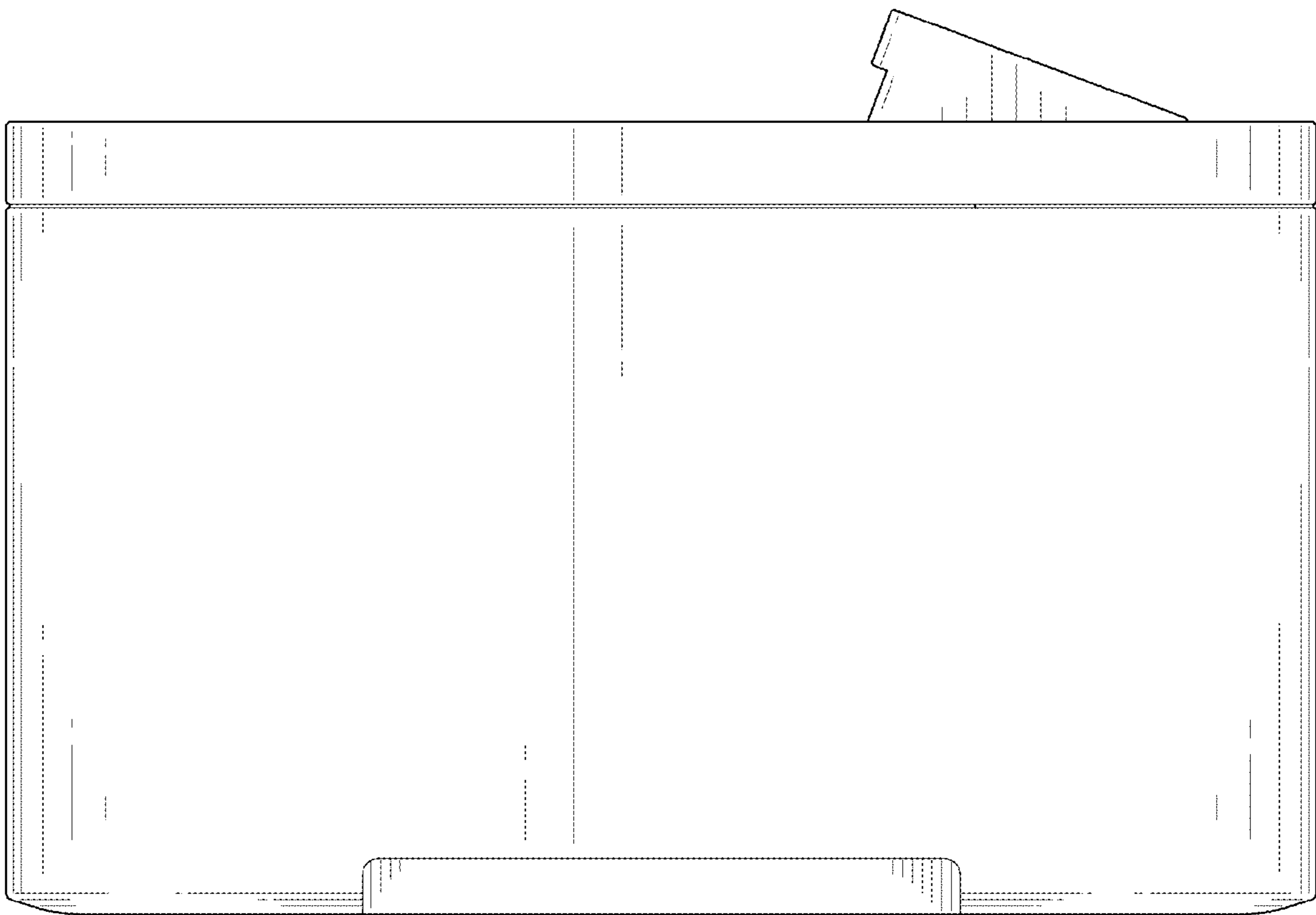


FIG. 4

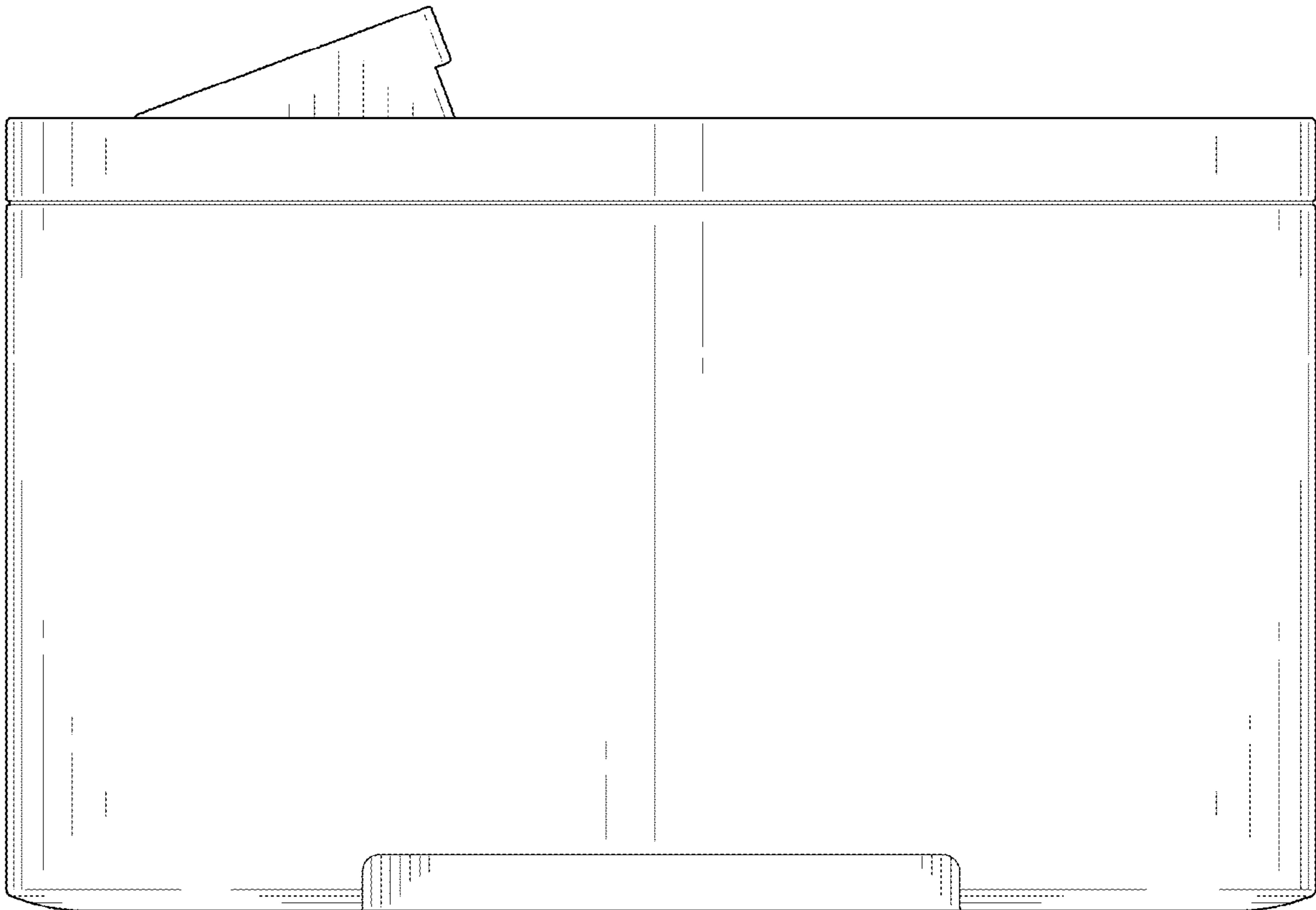


FIG. 5



FIG. 6

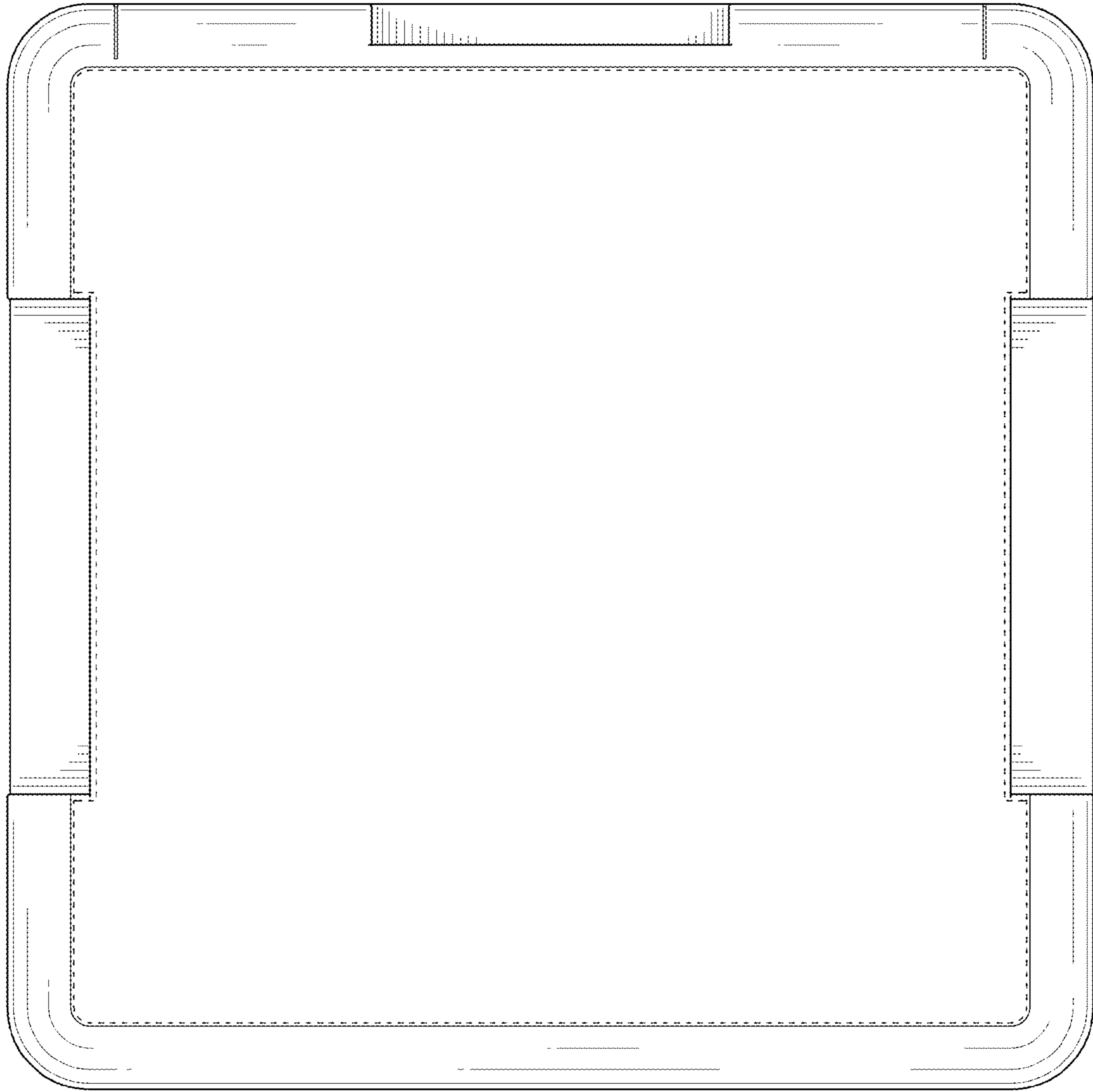


FIG. 7