

US00D944314S

(12) **United States Design Patent** (10) **Patent No.:** **US D944,314 S**
Sun (45) **Date of Patent:** **** Feb. 22, 2022**

(54) **WIRELESS MOBILE PRINTER**
(71) Applicant: **ZHUHAI HUAKE ELECTRONIC TECHNOLOGY CO., LTD., Zhuhai (CN)**

D594,504 S * 6/2009 Hattori D18/19
D604,761 S * 11/2009 Suzuki D13/162.1
D732,108 S * 6/2015 Ryu D18/50
D740,358 S * 10/2015 Kang D18/50
D799,590 S * 10/2017 Dwyer D18/50
D800,209 S * 10/2017 Kamei D18/14

(Continued)

(72) Inventor: **Ruijuan Sun, Zhuhai (CN)**
(73) Assignee: **ZHUHAI HUAKE ELECTRONIC TECHNOLOGY CO., LTD., Zhuhai (CN)**

FOREIGN PATENT DOCUMENTS

CN 301721046 * 11/2011
CN 301902110 * 5/2012

(Continued)

(**) Term: **15 Years**

OTHER PUBLICATIONS

(21) Appl. No.: **29/753,562**

Amazon. Link: https://www.amazon.com/dp/B08FC928LG/ref=emc_b_5_t?th=1. Nov. 2, 2020. Phomemo Green Portable Label Maker-Small Wireless Label Printer (Year: 2020).*

(22) Filed: **Sep. 30, 2020**

(Continued)

(30) **Foreign Application Priority Data**

Apr. 17, 2020 (CN) 202030156428.1

Primary Examiner — Lauren D McVey

(51) **LOC (13) Cl.** **18-99**

(57) **CLAIM**

(52) **U.S. Cl.** **D18/19**

USPC **D18/19**

The ornamental design for a wireless mobile printer, as shown and described.

(58) **Field of Classification Search**

DESCRIPTION

USPC D18/12, 14, 15, 16, 17, 18, 19, 36, 37, D18/38, 39, 40, 41, 45, 54, 55, 50, 53, D18/43, 56; D19/65, 66, 67, 68, 69, 70, D19/71; D14/301, 307, 121
CPC H04N 1/00204; H04N 1/00249; H04N 1/00278; G06K 15/12; G06K 15/14; B41J 3/00; B41J 3/28; B41J 3/445; B41J 3/46; B41J 11/0045; B41J 2/3358
See application file for complete search history.

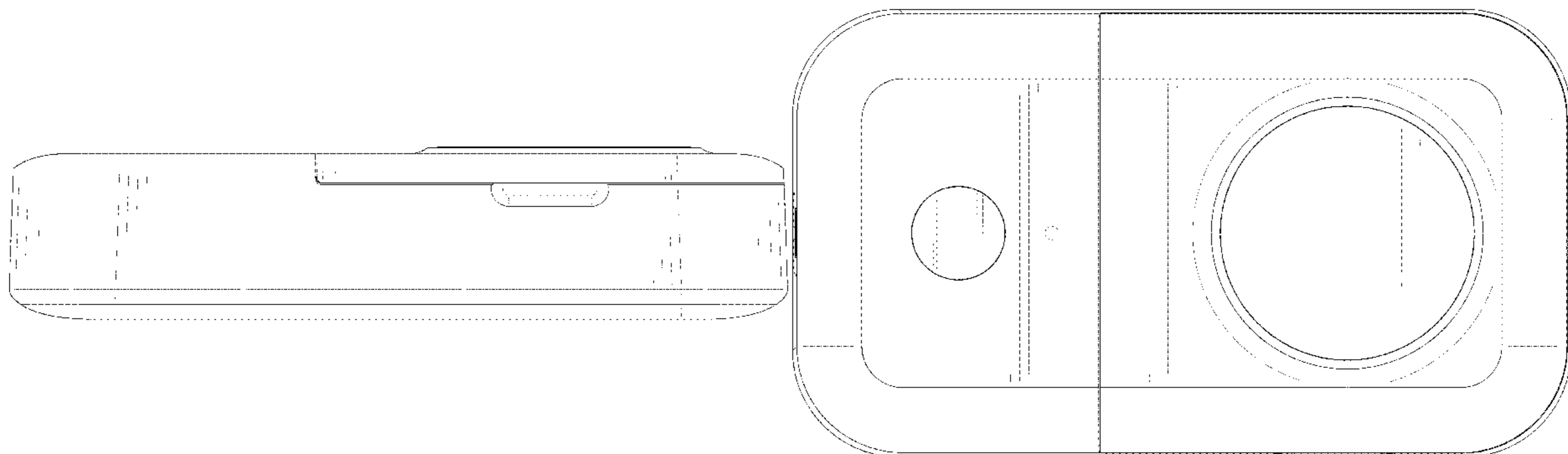
FIG. 1 is a perspective view of a wireless mobile printer showing my new design;
FIG. 2 is another perspective view thereof;
FIG. 3 is a front elevational view thereof;
FIG. 4 is a rear elevational view thereof;
FIG. 5 is a left side elevational view thereof;
FIG. 6 is a right side elevational view thereof;
FIG. 7 is a top plan view thereof; and,
FIG. 8 is a bottom plan view thereof.
The broken lines in the drawings depict portions of the wireless mobile printer that form no part of the claimed design.

(56) **References Cited**

U.S. PATENT DOCUMENTS

D305,438 S * 1/1990 Miyamoto D18/36
D316,106 S * 4/1991 Yamatogi D18/36
D556,253 S * 11/2007 Hong D18/50
D558,820 S * 1/2008 Hong D18/50

1 Claim, 8 Drawing Sheets



(56)

References Cited

U.S. PATENT DOCUMENTS

D800,210 S * 10/2017 Kamei D18/14
D876,536 S * 2/2020 Shirley D18/50
D893,593 S 8/2020 Sun
D893,594 S 8/2020 Sun
D893,596 S 8/2020 Sun
2018/0166894 A1* 6/2018 Miller B41J 29/393

FOREIGN PATENT DOCUMENTS

CN 302030869 * 8/2012
CN 305603721 * 2/2020
JP D1536922 * 11/2015

OTHER PUBLICATIONS

Munbyn. Link: https://www.munbyn.com/products/bluetooth-portable-thermal-label-maker-3-rolls-label?currency=USD&variant=39371256430778&utm_source=Goo%E2%80%A6. Visited Nov. 8, 2021. Mini Bluetooth Portable Thermal Label Maker, Printer with 3 Rolls Label Tape. (Year: 2021).*

Walmart. Link: <https://www.walmart.com/ip/Aibecy-Mini-Portable-Printer-BT-Wireless-Photo-Mobile-200dpi-Receipt-Memo-Note-Sticker-Label-List-1-Roll-Thermal-Paper-Compatible-Android-iOS/378001474>. Visited Nov. 17, 2021. Aibecy Mini Portable Printer BT Wireless Photo Printer. (Year: 2021).*

Gamestop. Link: https://www.gamestop.com/video-games/products/polaroid-red-photobooth/226920.html?gclid=EAlalQobChMI4vSriMWf9AIVtwilCR2RVwc6EAQYBSABEgJlwwD_BwE&gclid=aw.ds. Visited Nov. 17, 2021. Polaroid Red Photobooth. (Year: 2021).*

* cited by examiner

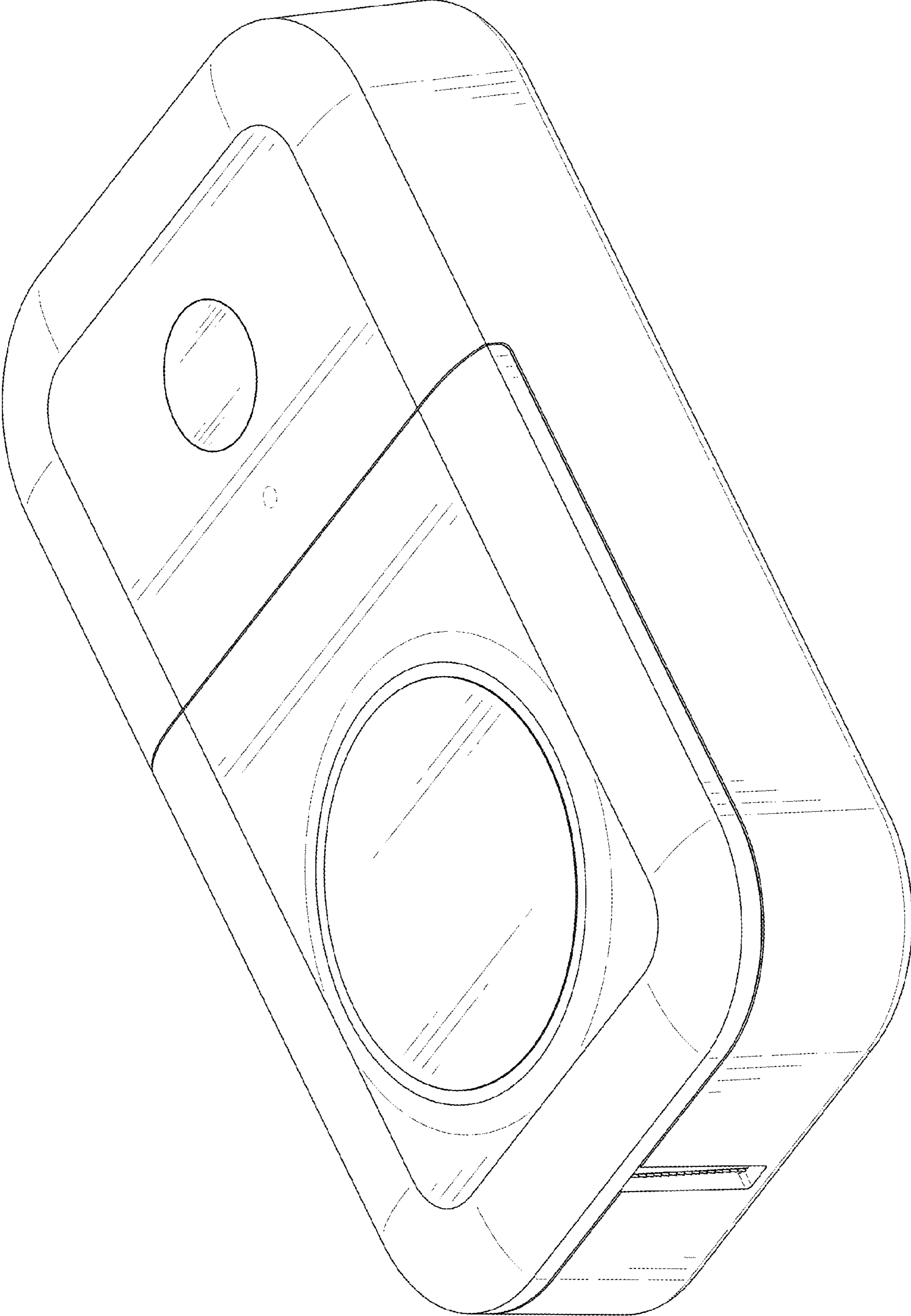


FIG. 1

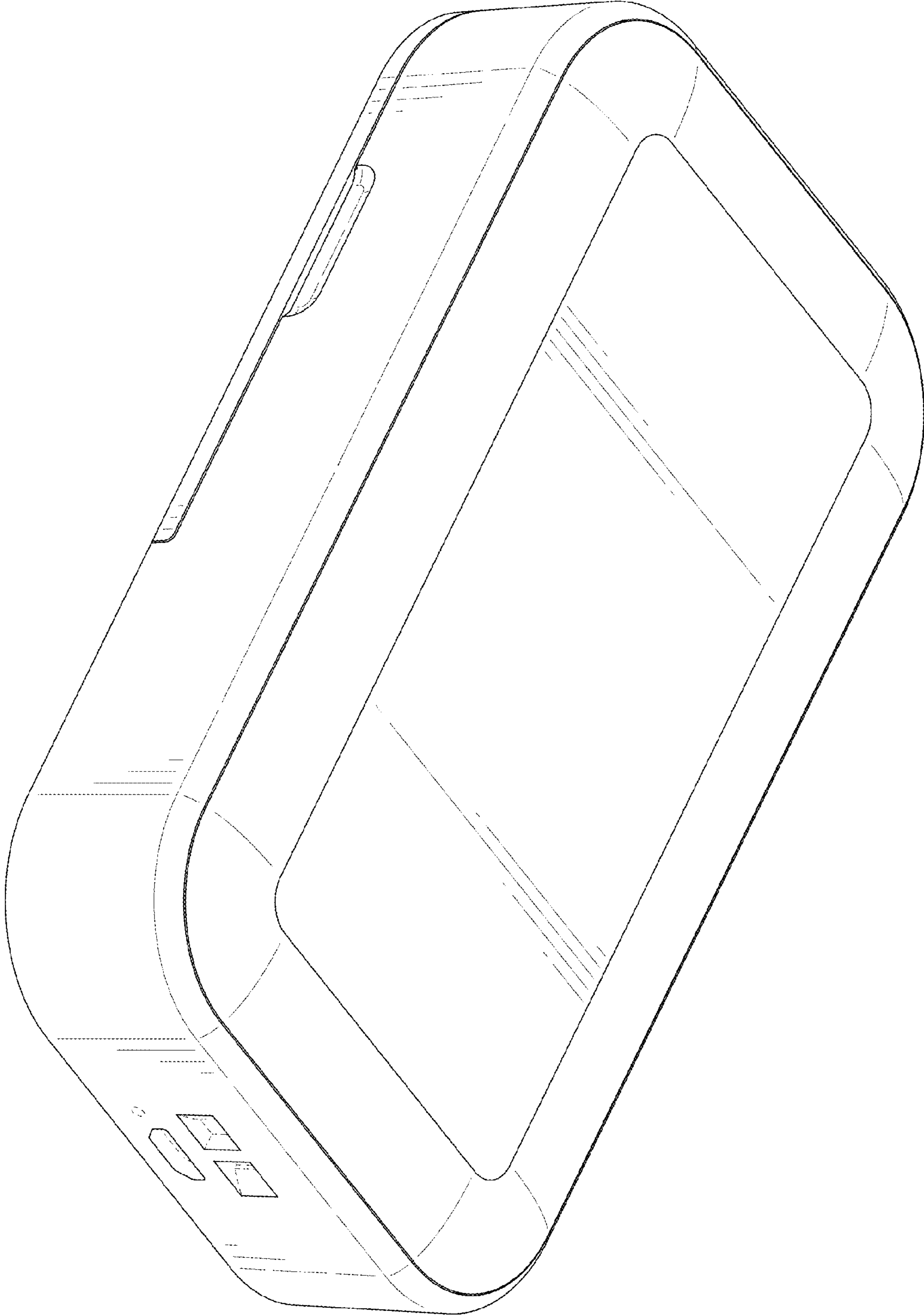


FIG. 2

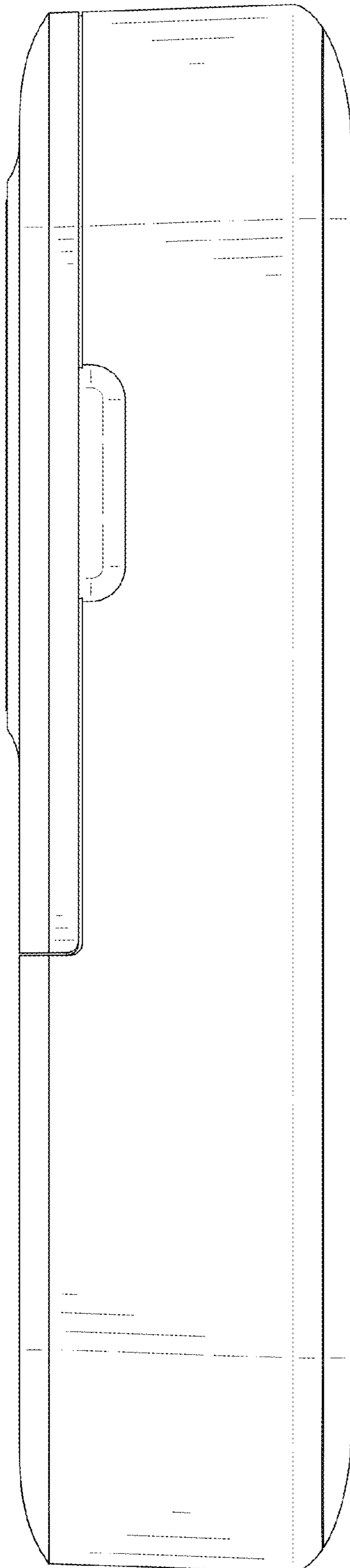


FIG. 3

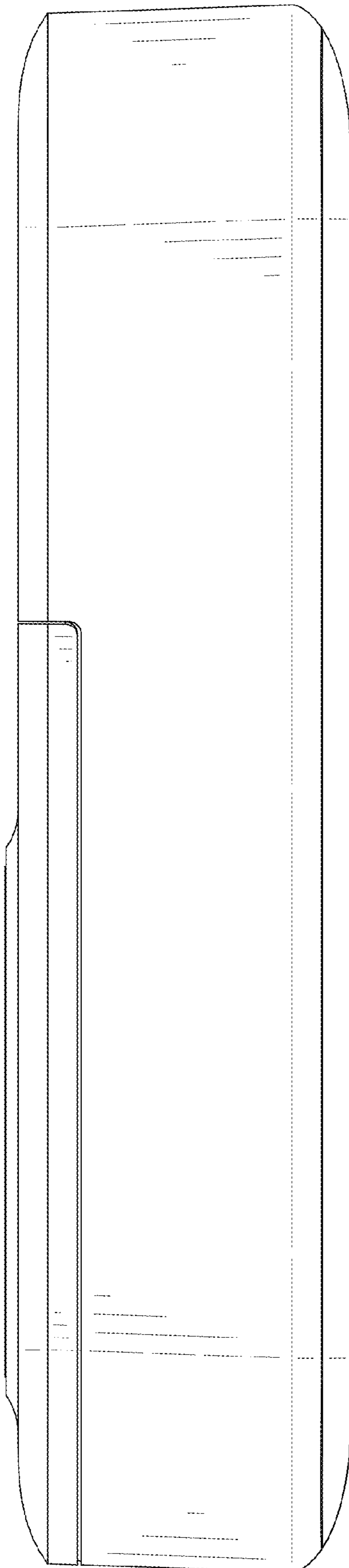


FIG. 4

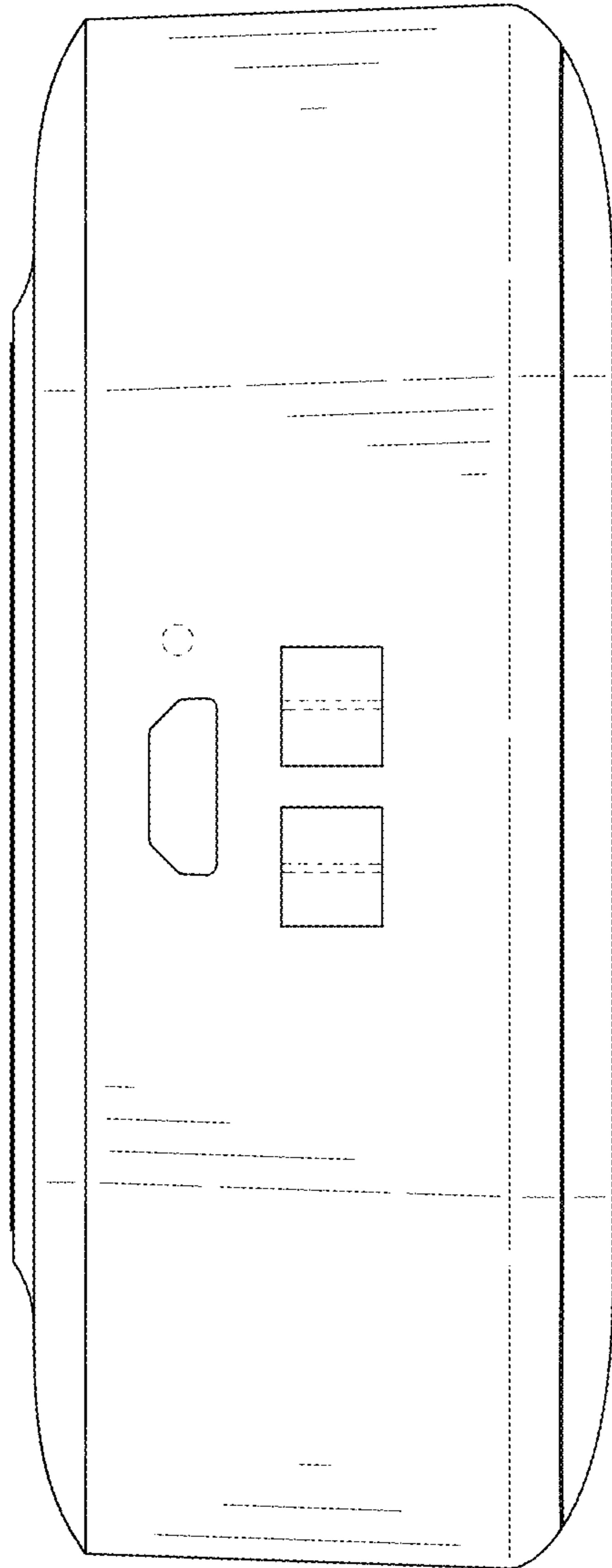


FIG. 5

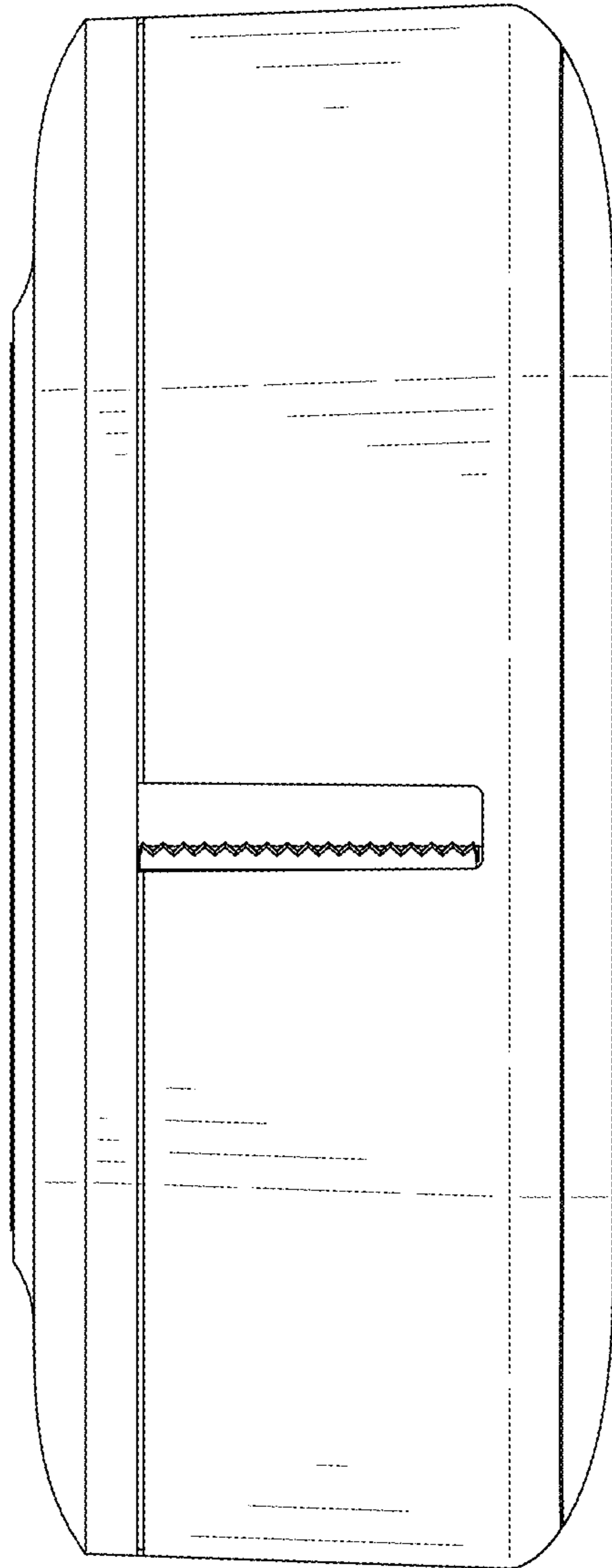


FIG. 6

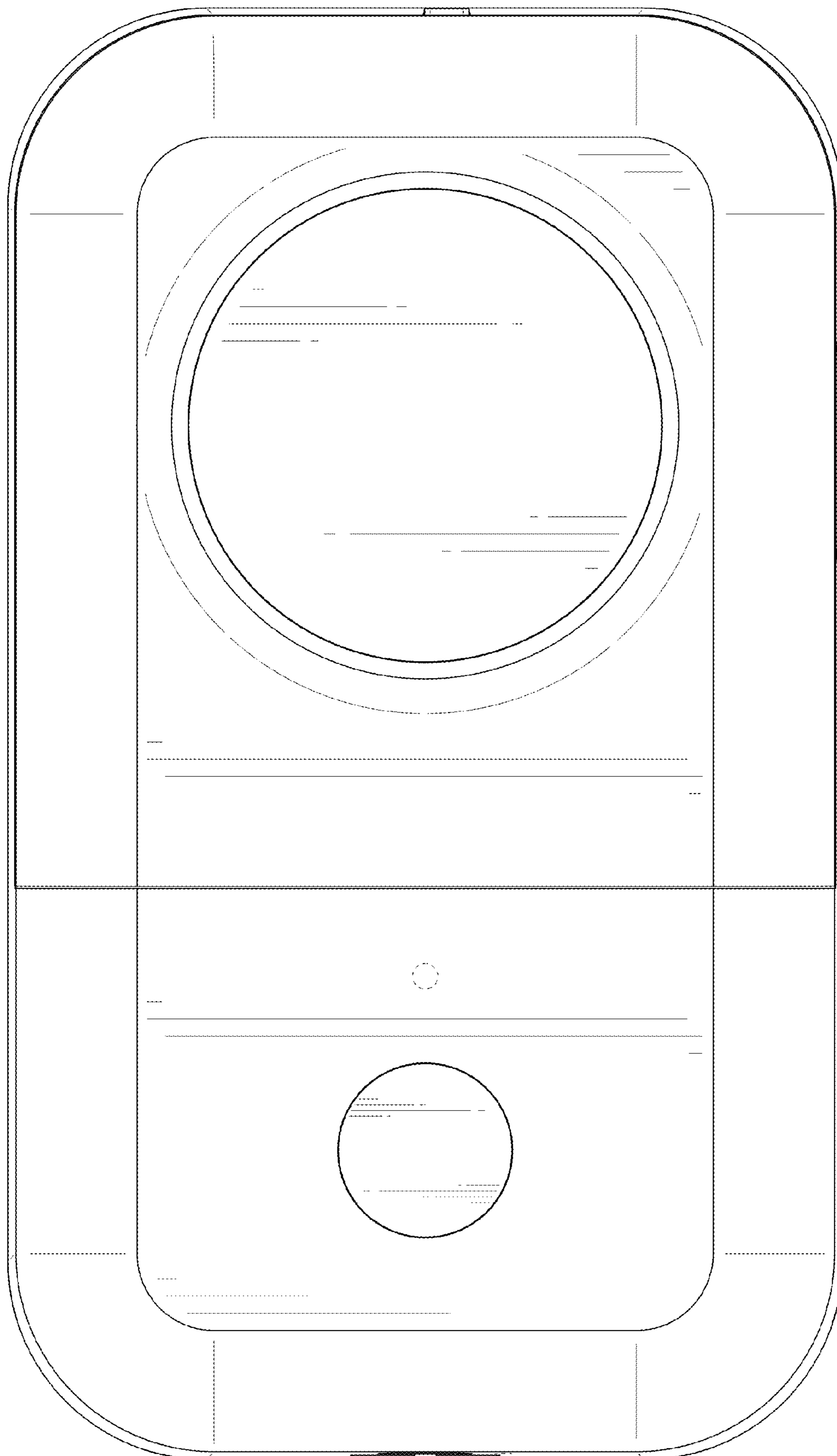


FIG. 7

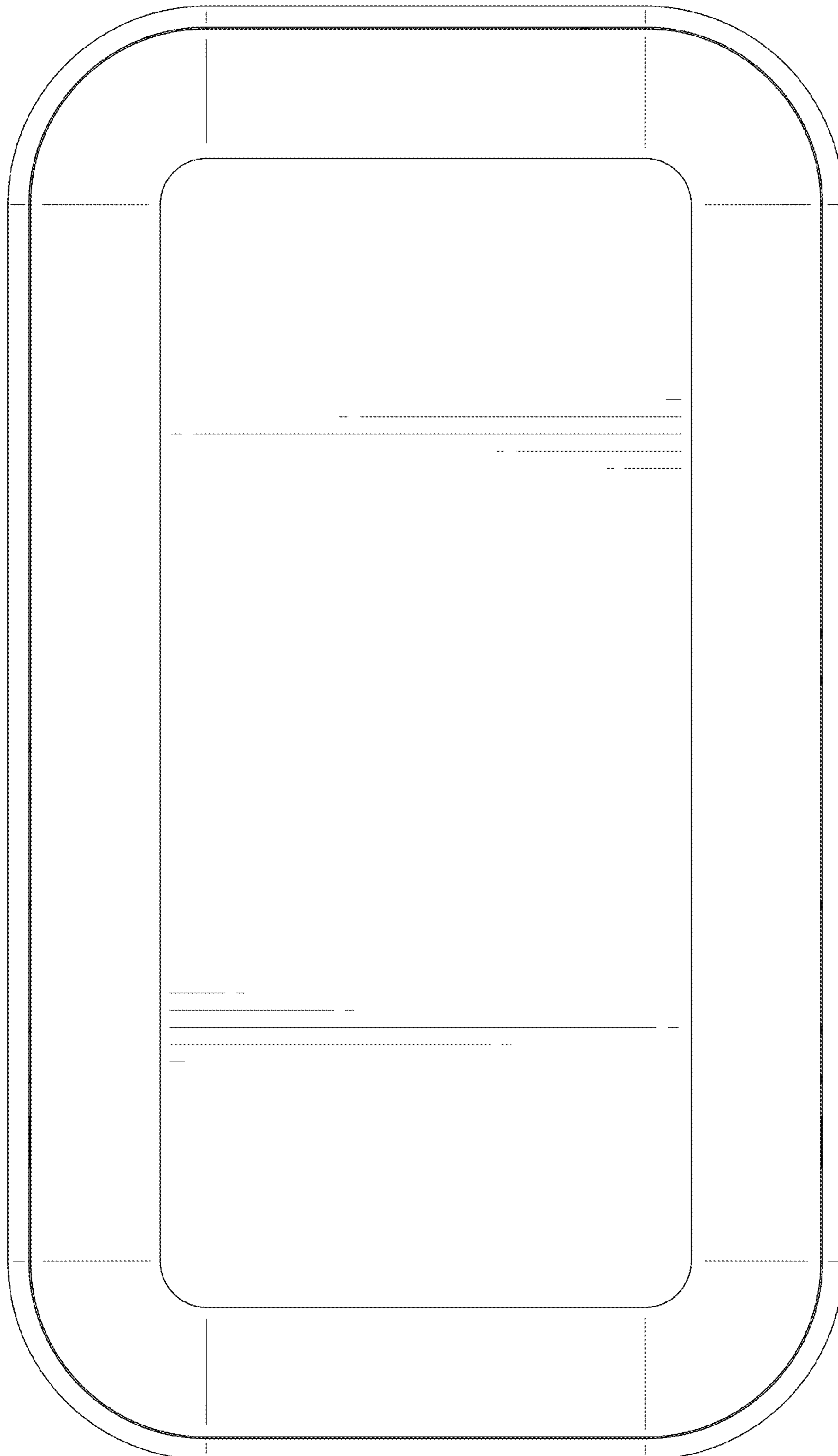


FIG. 8