



US00D944313S

(12) **United States Design Patent**  
**Zhong**

(10) **Patent No.:** **US D944,313 S**

(45) **Date of Patent:** **\*\* Feb. 22, 2022**

(54) **GUITAR**

(71) Applicant: **Jian Zhong**, Cenxi (CN)

(72) Inventor: **Jian Zhong**, Cenxi (CN)

(\*\*) Term: **15 Years**

(21) Appl. No.: **29/716,683**

(22) Filed: **Dec. 11, 2019**

(51) **LOC (13) Cl.** ..... **17-03**

(52) **U.S. Cl.**  
USPC ..... **D17/14**

(58) **Field of Classification Search**  
USPC ..... D17/14, 18, 19, 20, 21, 99  
CPC .. G10D 1/00; G10D 1/04; G10D 1/05; G10D  
1/06; G10D 1/08; G10D 1/10; G10D  
3/00; G10D 3/04; G10D 3/05; G10D  
3/06; G10D 3/12; G10D 3/14; G10D  
3/147

See application file for complete search history.

(56) **References Cited**

**U.S. PATENT DOCUMENTS**

- 2,124,439 A \* 7/1938 Sunshine ..... G10D 3/12  
84/299
- 3,375,747 A \* 4/1968 Posey ..... G10D 13/06  
84/453
- 3,688,632 A \* 9/1972 Perez ..... G10D 3/06  
84/314 R
- 4,412,472 A \* 11/1983 Welch ..... G10D 3/053  
84/318
- 5,497,688 A \* 3/1996 Ruiz-Carrero ..... G10D 1/08  
84/291
- 6,294,718 B1 \* 9/2001 Saunders, Jr. .... G10D 3/02  
84/291

- D606,594 S \* 12/2009 Guinchard ..... D14/388
- D816,762 S \* 5/2018 Suzuki ..... D17/14
- 2008/0092716 A1 \* 4/2008 Breedlove ..... G10D 3/06  
84/267
- 2014/0033891 A1 \* 2/2014 Trabits ..... G10D 3/02  
84/267

**FOREIGN PATENT DOCUMENTS**

GB 324070 A \* 1/1930 ..... G10D 1/08

\* cited by examiner

*Primary Examiner* — R. Johnson

(74) *Attorney, Agent, or Firm* — Rumit Ranjit Kanakia

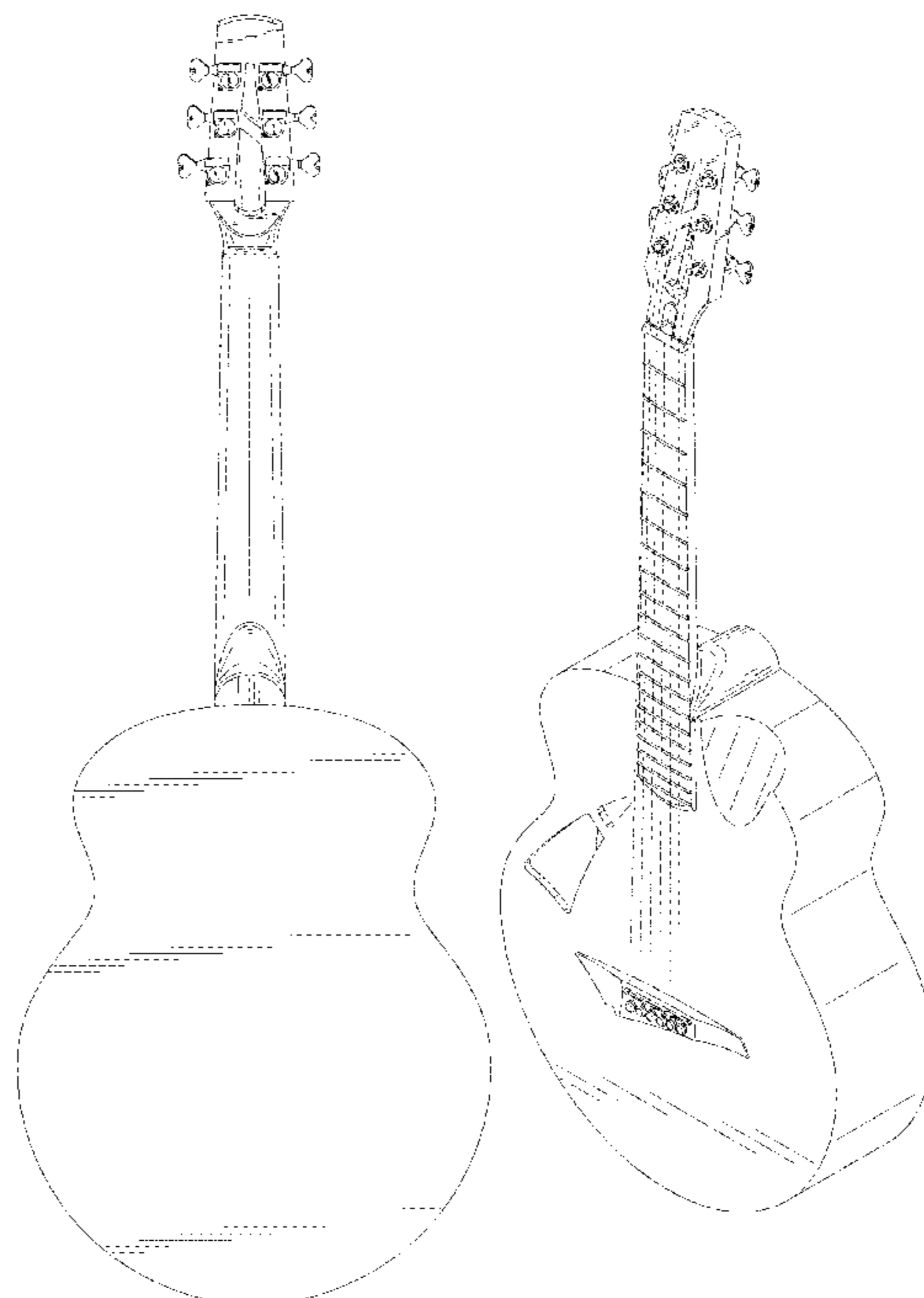
(57) **CLAIM**

The ornamental design for a guitar, as shown and described.

**DESCRIPTION**

FIG. 1 is a front elevational view of a guitar showing my new design;  
 FIG. 2 is a rear elevational view thereof;  
 FIG. 3 is a left side view thereof;  
 FIG. 4 is an enlarged view of a portion of the guitar, taken at line 4 in FIG. 3;  
 FIG. 5 is a right side view thereof;  
 FIG. 6 is an enlarged view of a portion of the guitar, taken at line 6 in FIG. 5;  
 FIG. 7 is a top plan view thereof;  
 FIG. 8 is a bottom plan view thereof; and,  
 FIG. 9 is another perspective view thereof.  
 The broken lines illustrate environment structure which forms no part of the claimed design.

**1 Claim, 7 Drawing Sheets**



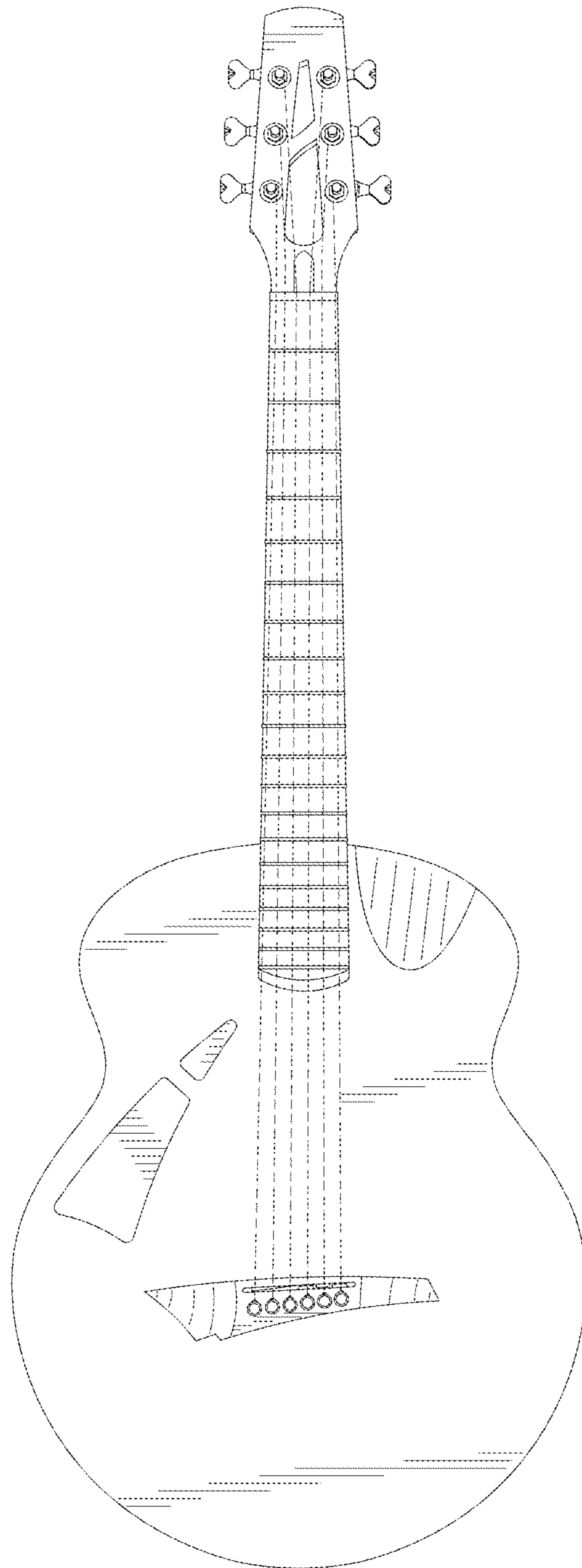


FIG. 1

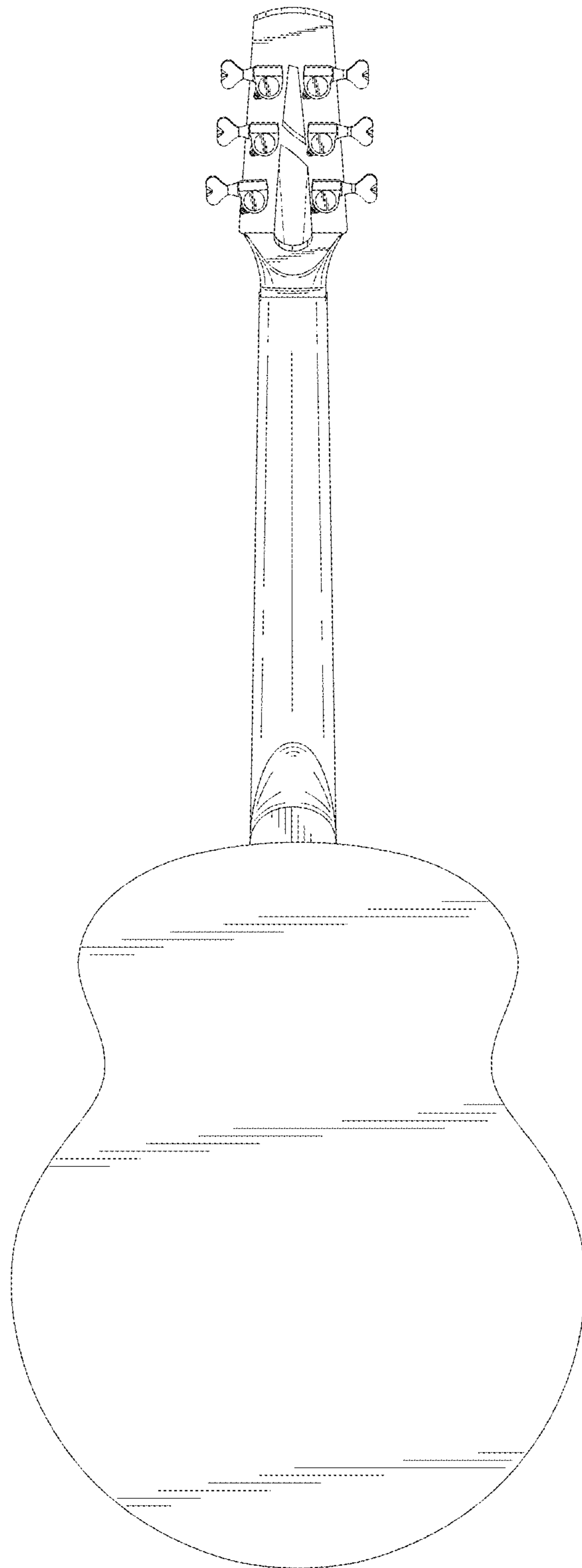


FIG. 2

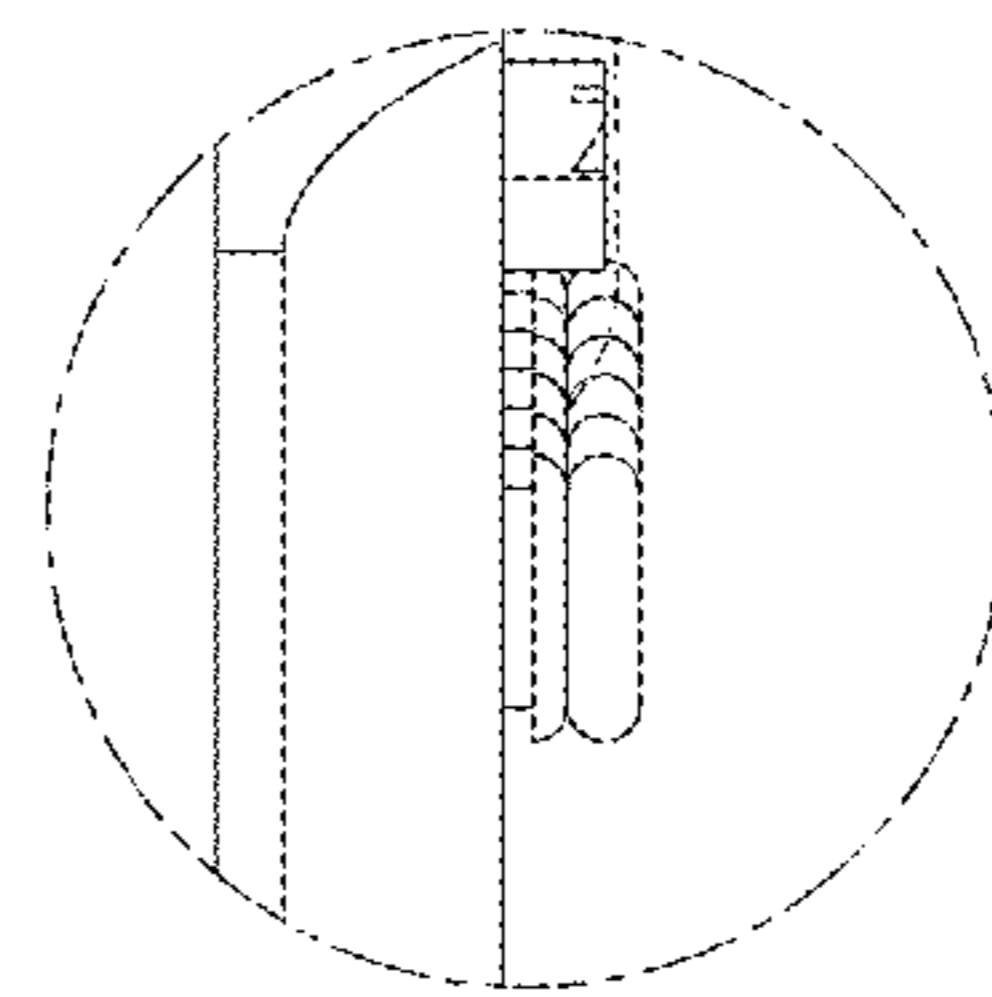
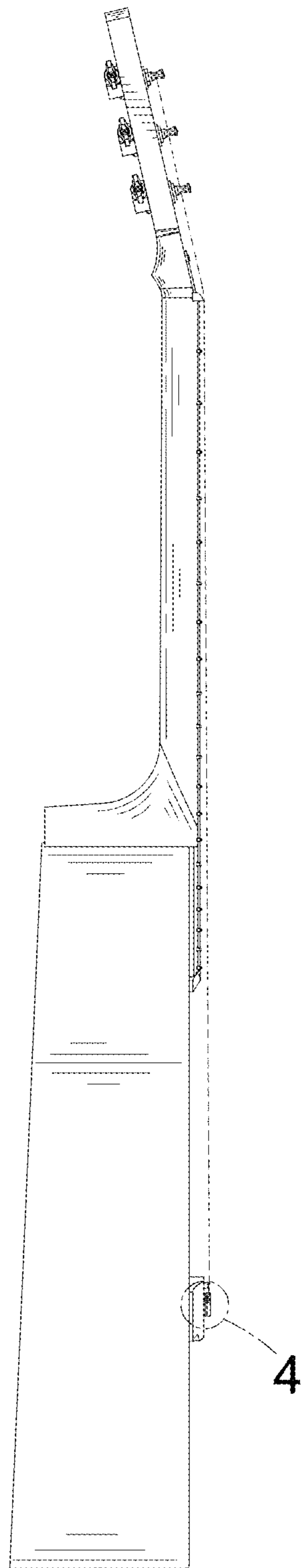


FIG. 4

FIG. 3

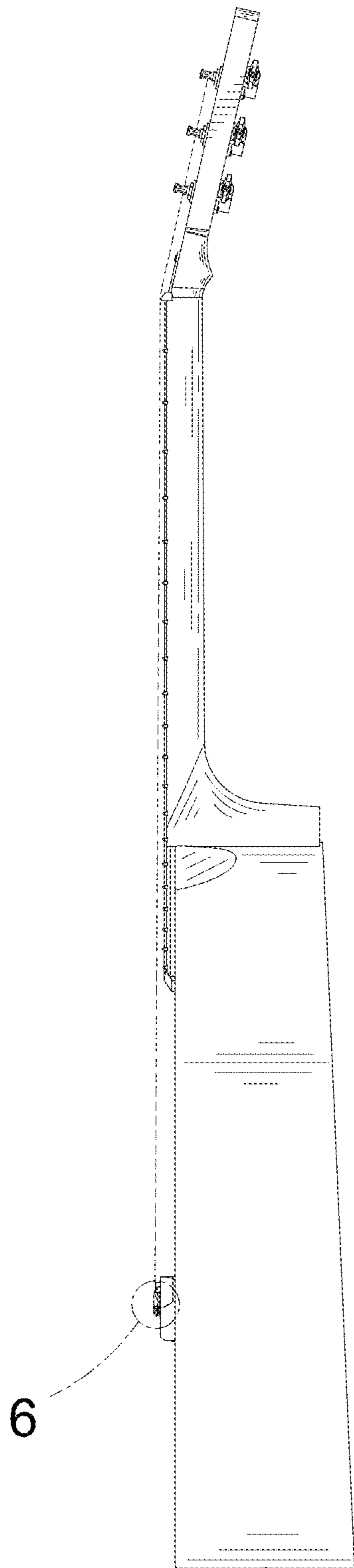


FIG. 5

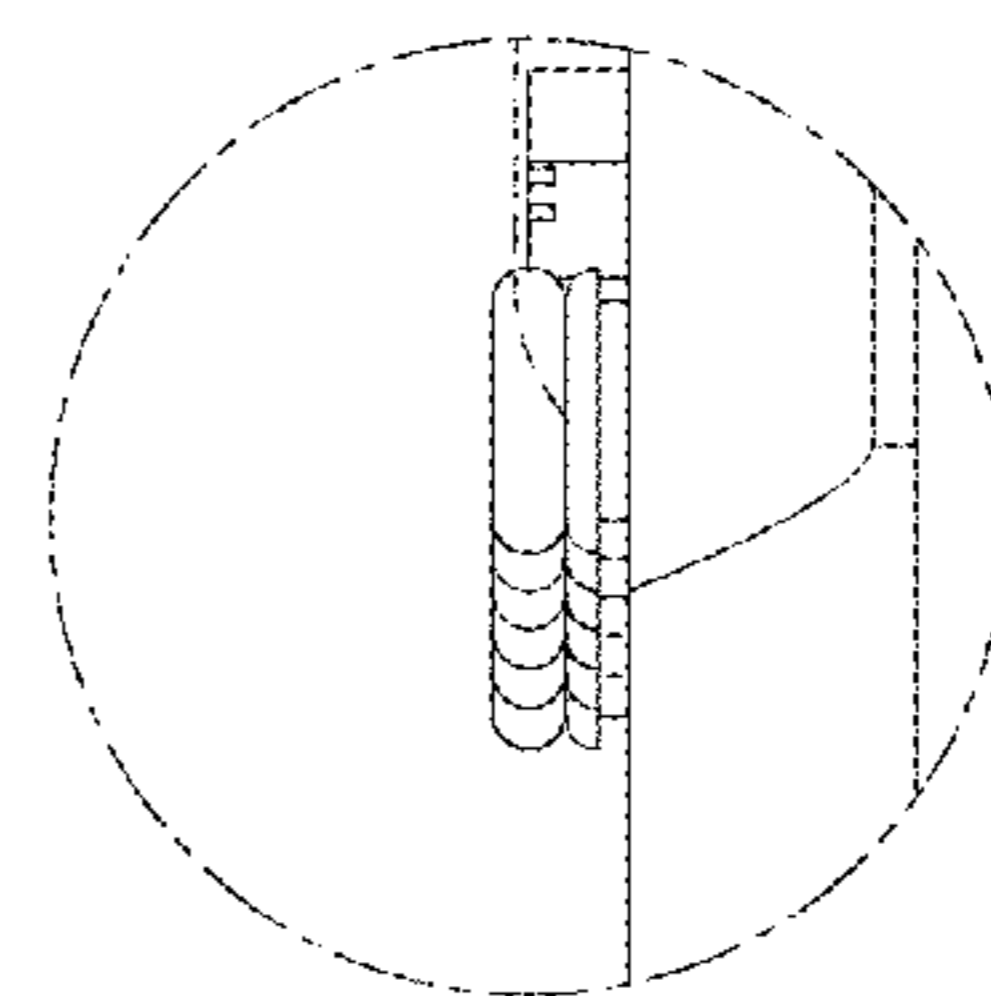


FIG. 6

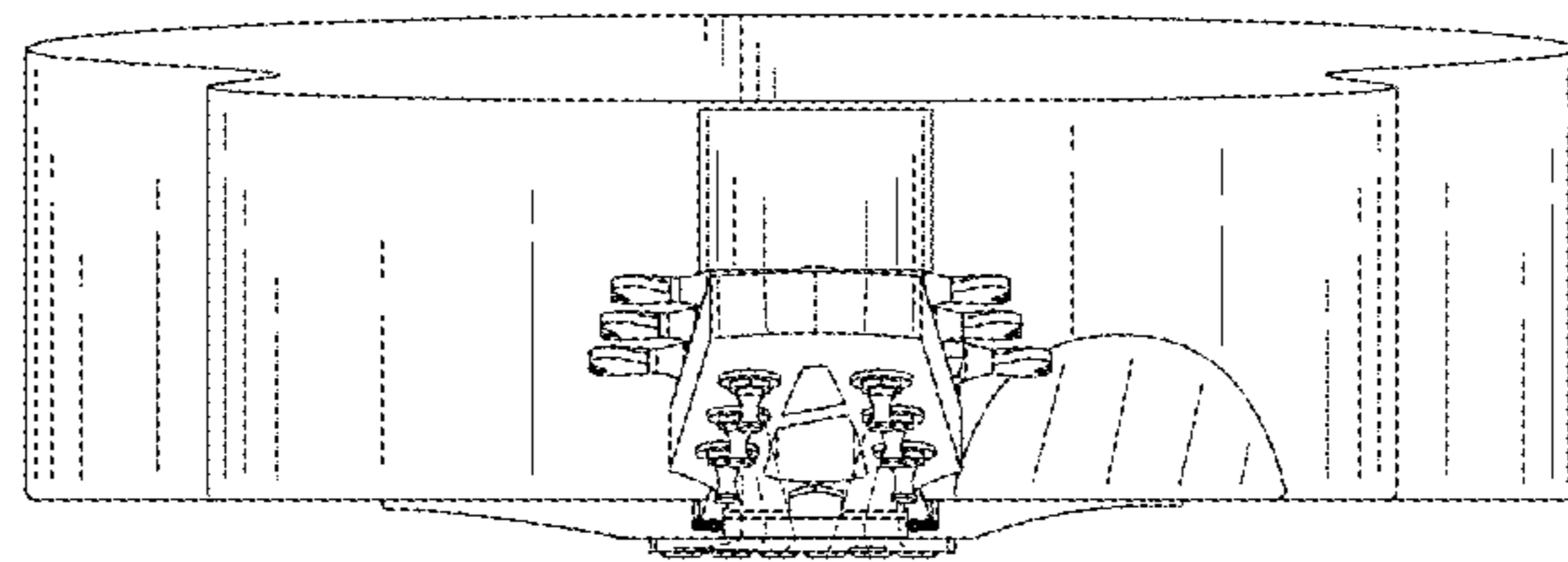


FIG. 7

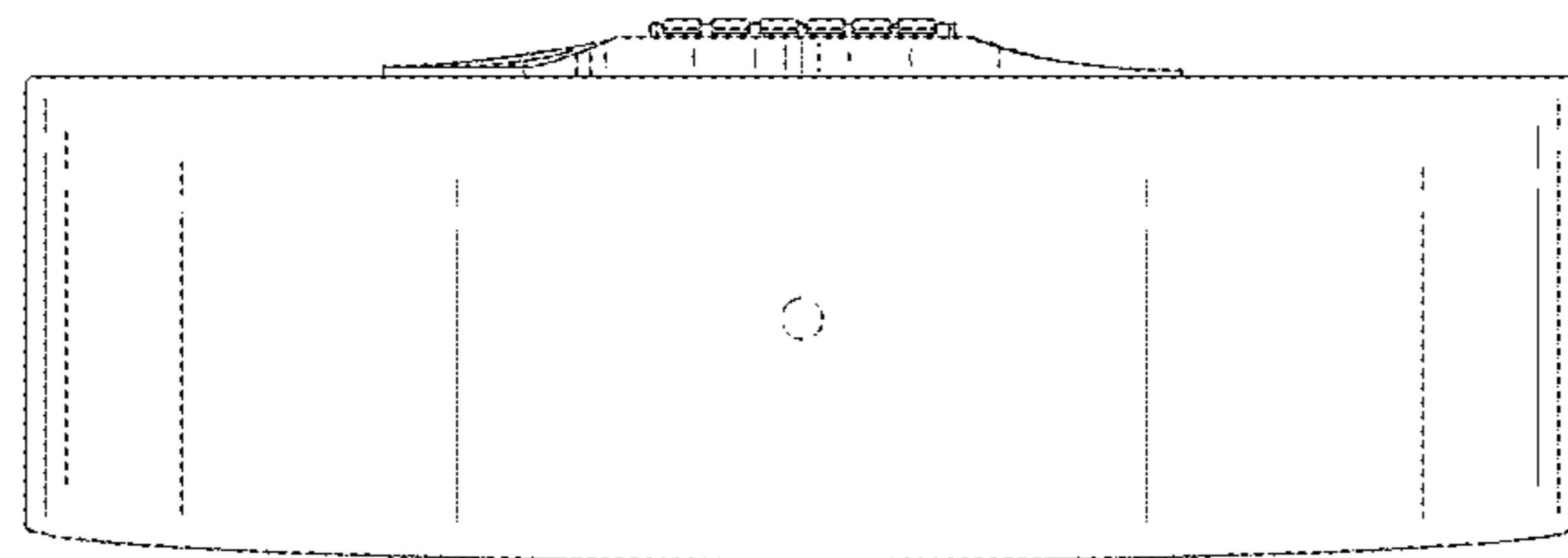


FIG. 8

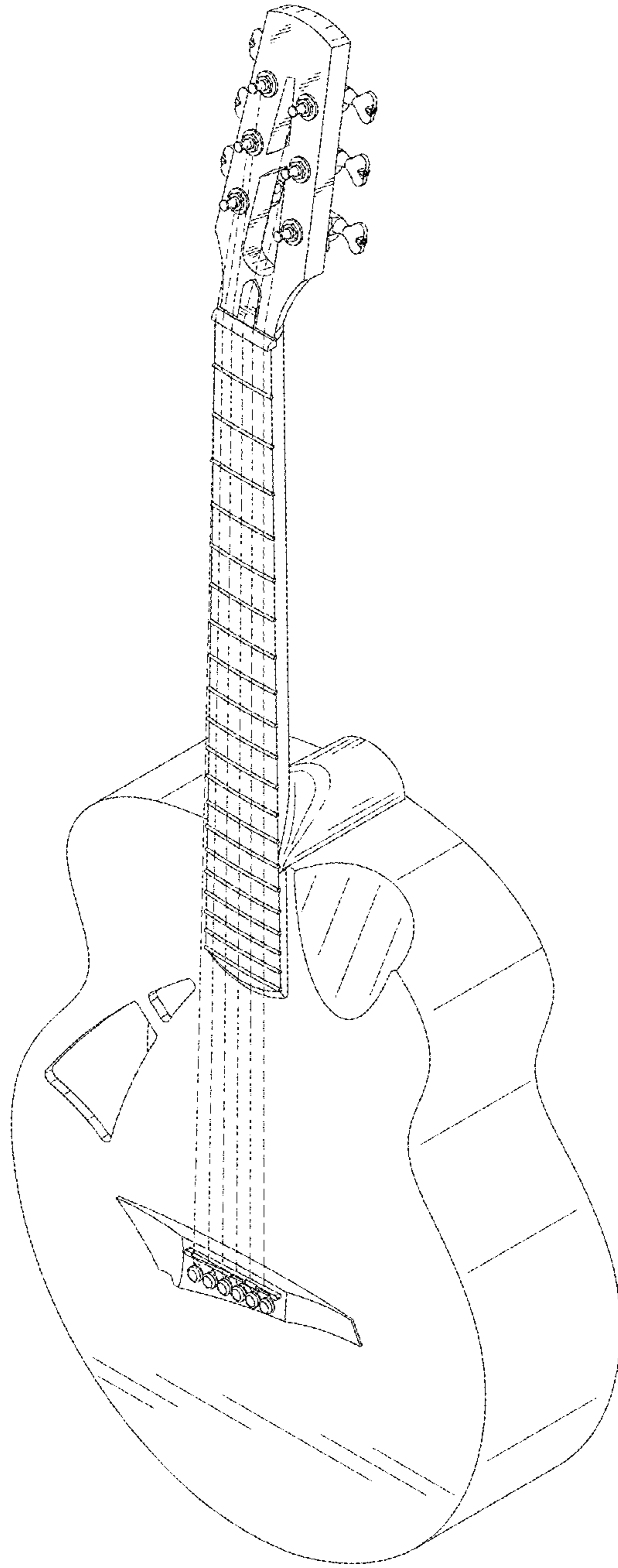


FIG. 9