

US00D944312S

(12) **United States Design Patent**
Hellsten

(10) **Patent No.:** **US D944,312 S**

(45) **Date of Patent:** **** Feb. 22, 2022**

(54) **CAMERA STABILIZER**

(71) Applicant: **Easyrig AB**, Umeå (SE)

(72) Inventor: **Johan Hellsten**, Umeå (SE)

(**) Term: **15 Years**

(21) Appl. No.: **35/509,578**

(22) Filed: **May 20, 2020**

(80) **Hague Agreement Data**

Int. Filing Date: **May 20, 2020**

Int. Reg. No.: **DM/208449**

Int. Reg. Date: **May 20, 2020**

Int. Reg. Pub. Date: **Jun. 12, 2020**

(51) **LOC (13) Cl.** **16-05**

(52) **U.S. Cl.**
USPC **D16/242**

(58) **Field of Classification Search**
USPC D16/206, 219, 235, 237-245, 250
CPC G03B 17/56; G03B 17/561-568; G02B
7/00-002; H04N 5/2253-2254; F16M
11/04-12; F16M 13/04
See application file for complete search history.

(56) **References Cited**

U.S. PATENT DOCUMENTS

- 4,037,763 A * 7/1977 Turchen F16M 11/08
224/153
- 4,158,490 A * 6/1979 Gottschalk F16M 11/048
224/908
- 4,206,983 A * 6/1980 Nettman F16M 13/00
352/243
- 4,298,149 A * 11/1981 Gottschalk F16M 13/00
224/201
- D338,999 S * 9/1993 Desmith D29/101.1
- 5,360,196 A * 11/1994 DiGiulio F16M 13/04
248/576
- 5,435,515 A * 7/1995 DiGiulio F16M 11/10
224/908
- D378,163 S * 2/1997 Clissold D3/218

- 5,829,652 A * 11/1998 Denzer F16M 11/10
224/270
- 5,890,025 A * 3/1999 Hart F16M 13/00
396/420
- 6,056,449 A * 5/2000 Hart F16M 11/10
396/421
- 6,611,662 B1 * 8/2003 Grober F16M 11/24
396/55
- 6,764,231 B1 * 7/2004 Shubert F16M 11/10
396/419
- D714,376 S * 9/2014 Chapman D16/242
- D804,166 S * 12/2017 McCoy D3/216
- 10,401,713 B2 * 9/2019 Teichman F16M 11/26
- D878,753 S * 3/2020 Nolan D3/269

FOREIGN PATENT DOCUMENTS

IN DM/203947 11/2019

OTHER PUBLICATIONS

U.S. Appl. No. 35/507,736, filed Nov. 15, 2019, Easyrig AB.
Johan Hellsten, Minimax, <https://easyrig.se/products/minimax>, Sep. 15, 2010, IBC Fair, Amsterdam, The Netherlands.
Johan Hellsten, Vario 5, <https://easyrig.se/products/vario-5/>, Apr. 10, 2015, NAB Fair, Las Vegas, US.

* cited by examiner

Primary Examiner — Holly E Thurman

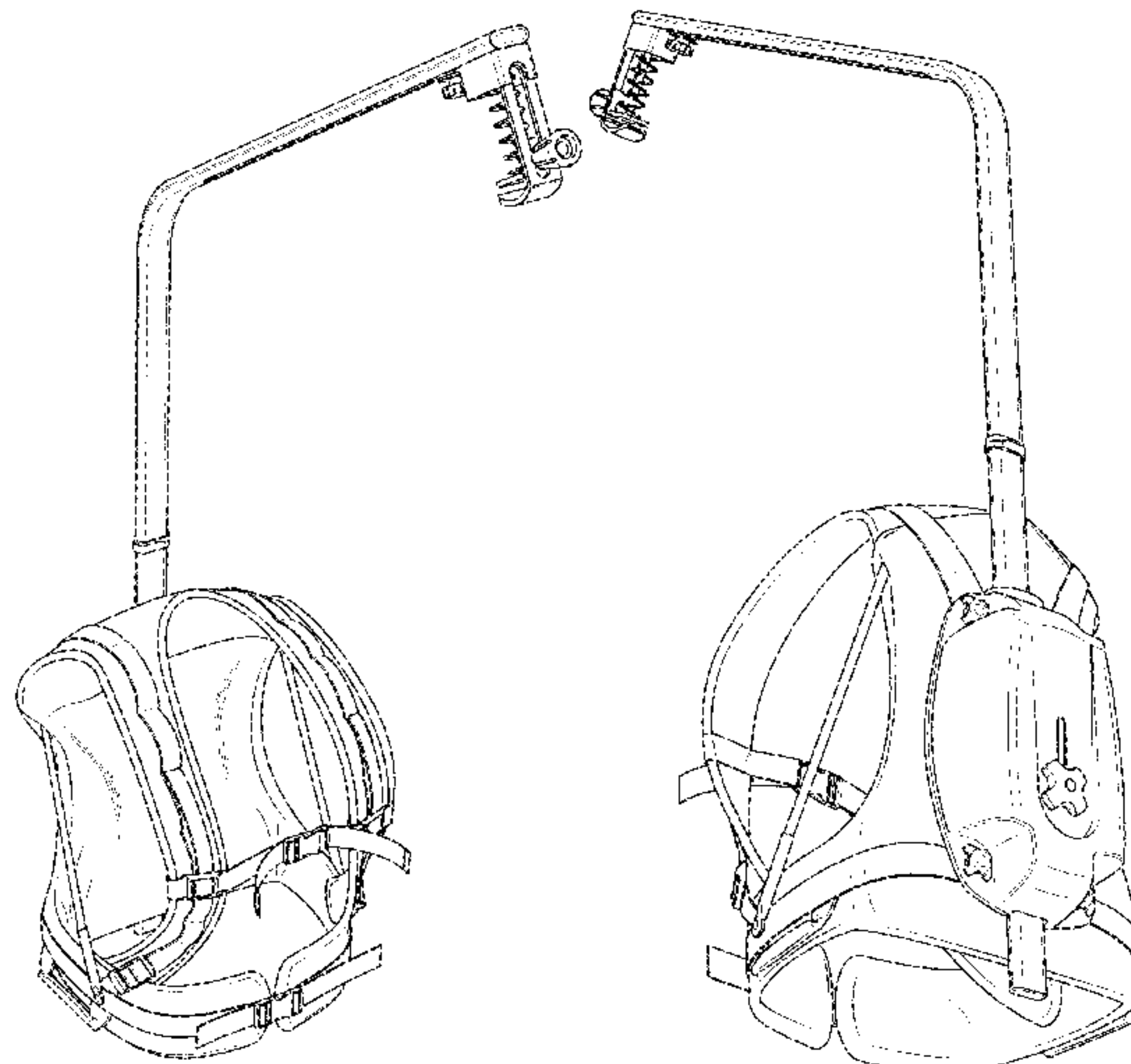
(57) **CLAIM**

The ornamental design for a camera stabilizer, as shown and described.

DESCRIPTION

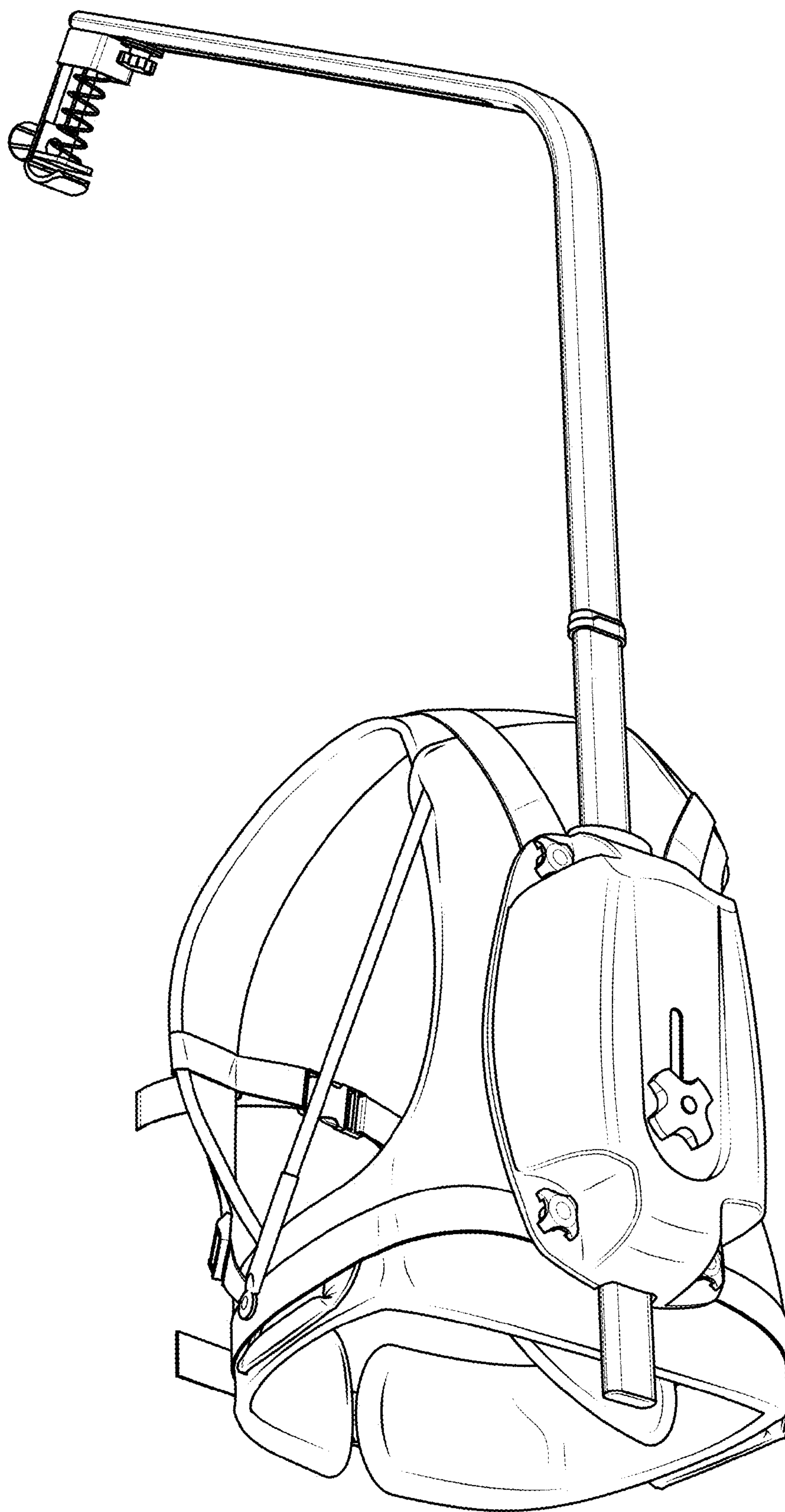
- 1. Camera stabilizer
- 1.1 : Perspective
- 1.2 : Perspective
- 1.3 : Right
- 1.4 : Back
- 1.5 : Front
- 1.6 : Bottom
- 1.7 : Top

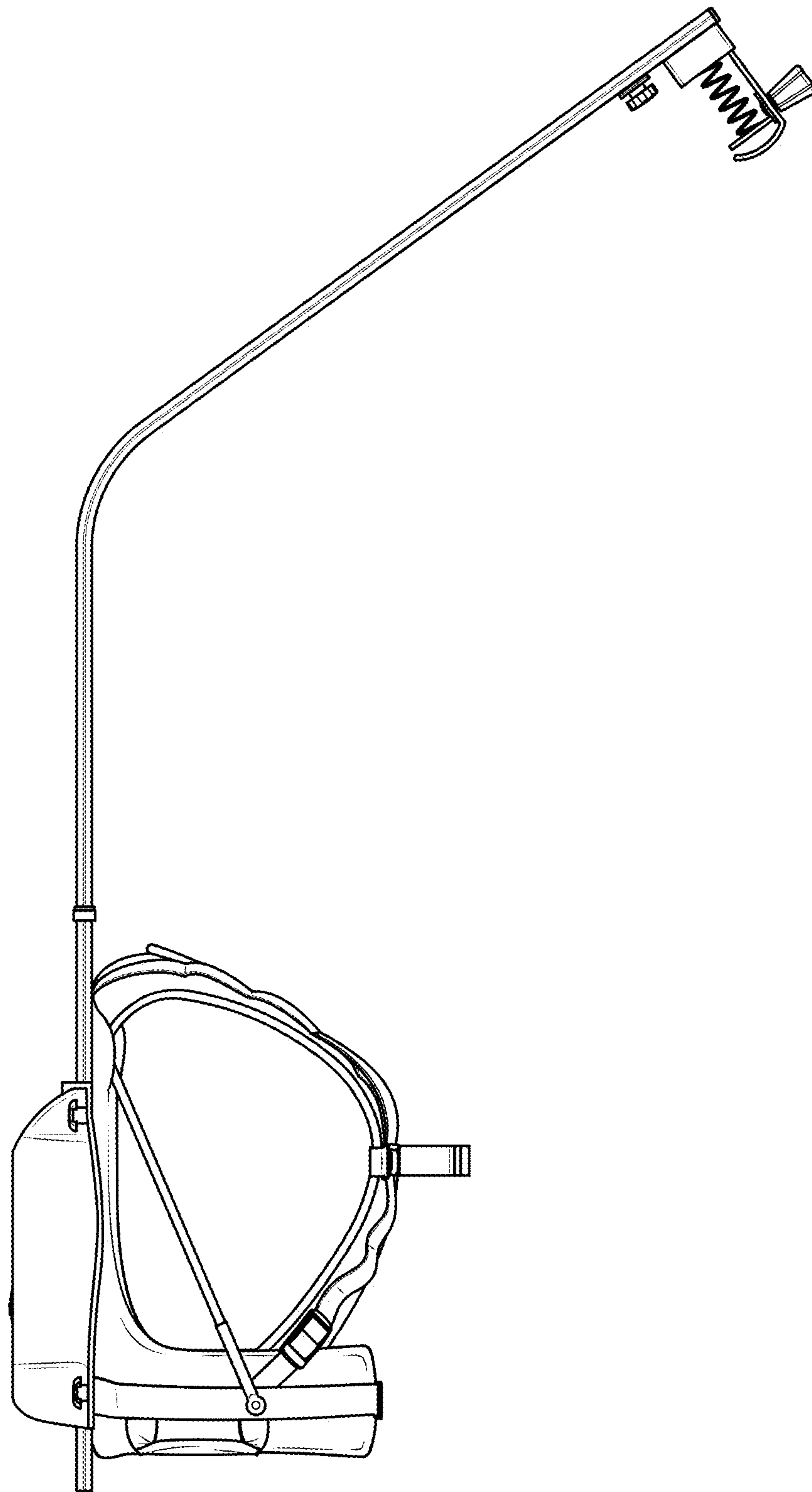
1 Claim, 5 Drawing Sheets



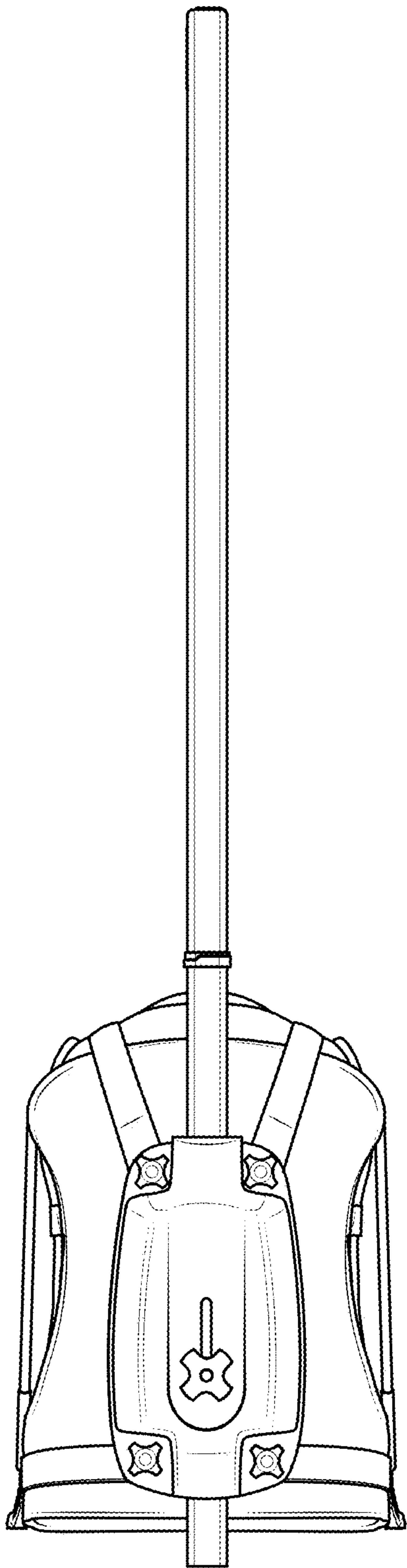


1.1

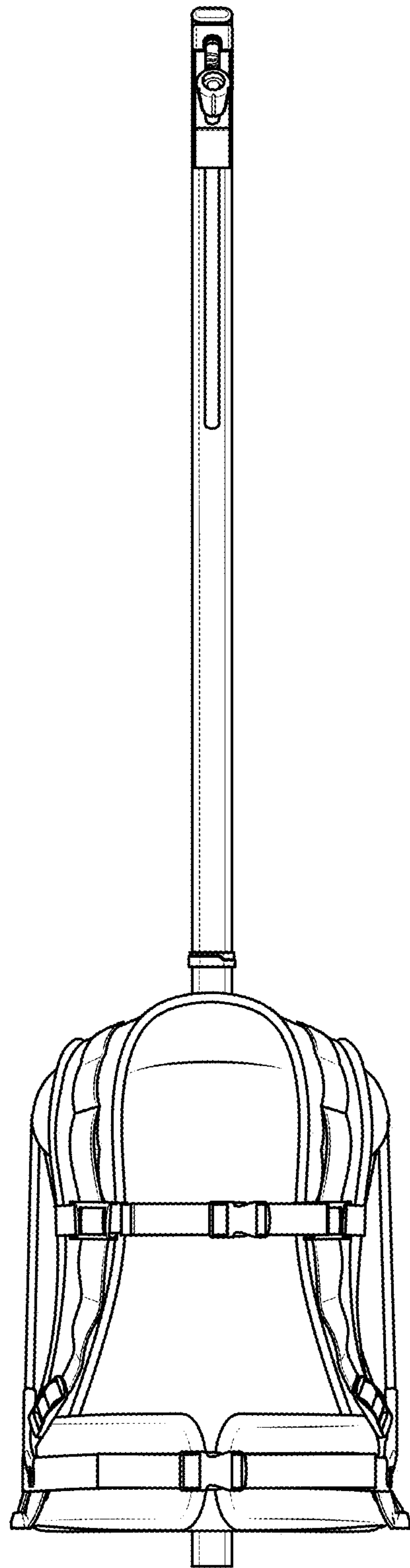




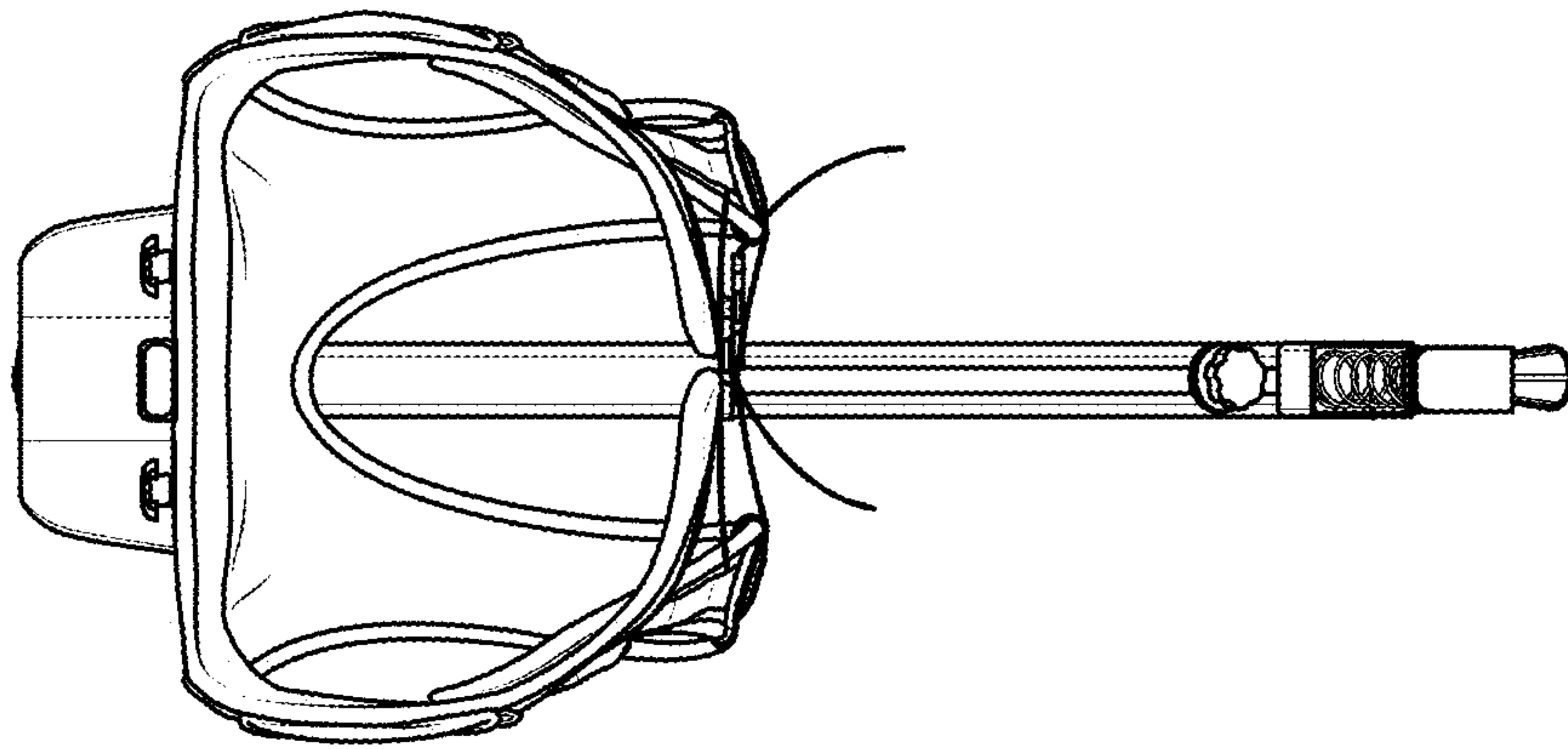
1.3



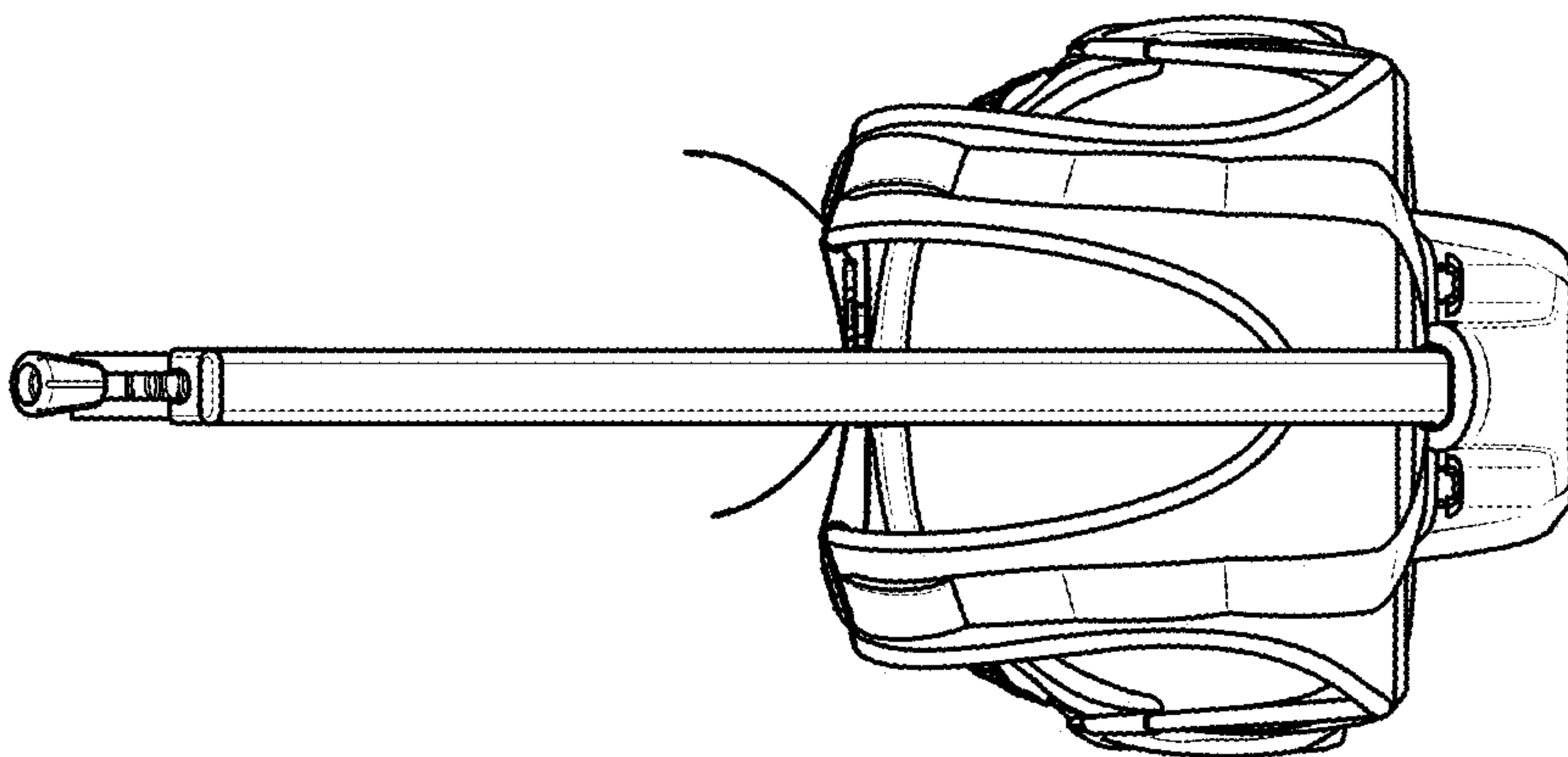
1.4



1.5



1.6



1.7