



US00D944311S

(12) **United States Design Patent**  
**Deng et al.**

(10) **Patent No.:** **US D944,311 S**  
(45) **Date of Patent:** **\*\* Feb. 22, 2022**

(54) **PROJECTOR**

(71) Applicant: **Shenzhen Shadow Crown Technology Co., Ltd**, Guangdong (CN)

(72) Inventors: **Feiyue Deng**, Guangdong (CN); **Qiang Yu**, Guangdong (CN)

(73) Assignee: **Shenzhen Shadow Crown Technology Co., Ltd**, Shenzhen (CN)

(\*\*) Term: **15 Years**

(21) Appl. No.: **29/758,413**

(22) Filed: **Nov. 16, 2020**

(30) **Foreign Application Priority Data**

Oct. 30, 2020 (CN) ..... 202030652992.2

(51) **LOC (13) Cl.** ..... **16-02**

(52) **U.S. Cl.**  
USPC ..... **D16/230; D16/225**

(58) **Field of Classification Search**  
USPC ..... D16/221, 225, 230-231, 234; D21/514  
CPC ..... G03B 21/145; G03B 21/16; G03B 21/00;  
G03B 21/003; G03B 21/12; G03B 21/14  
See application file for complete search history.

(56) **References Cited**

**U.S. PATENT DOCUMENTS**

D475,729 S \* 6/2003 Shiota ..... D16/225  
D497,929 S \* 11/2004 Ohki ..... D16/230

D882,670 S \* 4/2020 He ..... D16/230  
D933,734 S \* 10/2021 Xu ..... D16/230  
D936,726 S \* 11/2021 Deng ..... D16/230

\* cited by examiner

*Primary Examiner* — Wan Laymon

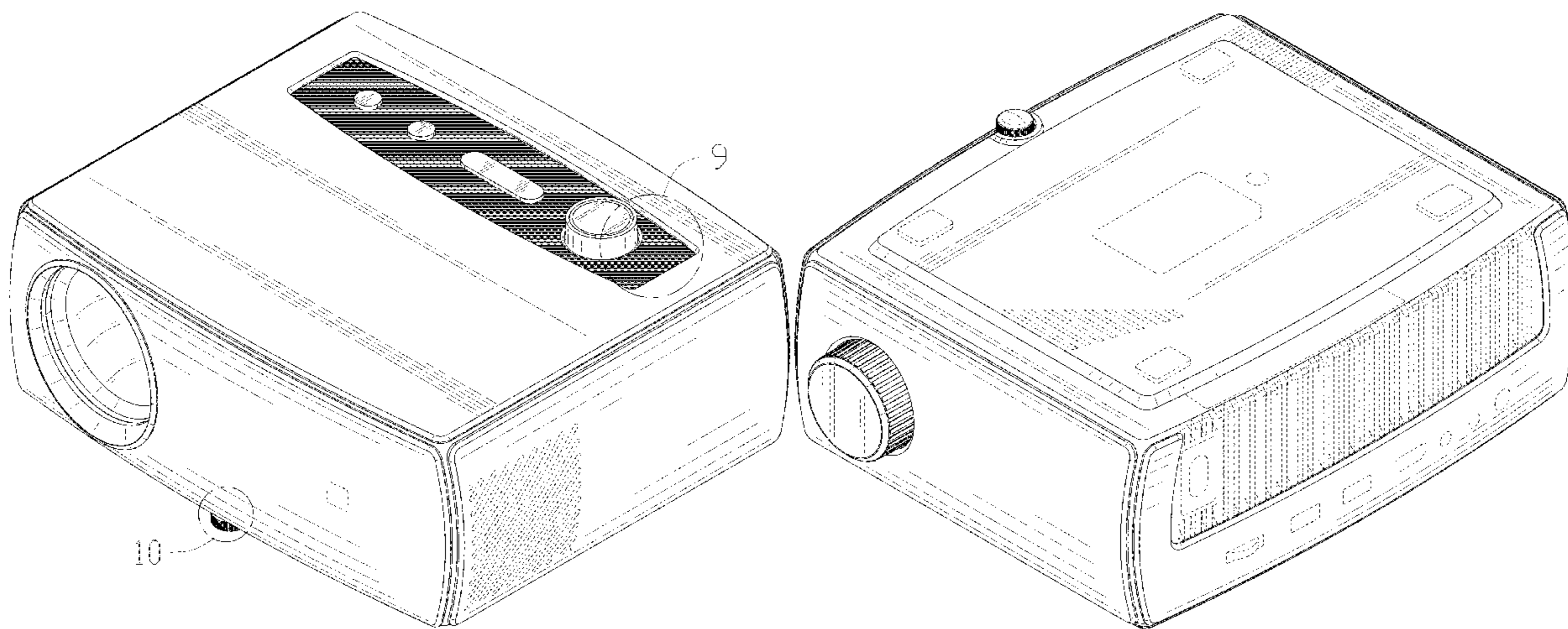
(57) **CLAIM**

The ornamental design for a projector, as shown and described.

**DESCRIPTION**

FIG. 1 is a top, front and right side perspective view of a projector showing our new design;  
FIG. 2 is a bottom, rear and left side perspective view thereof;  
FIG. 3 is a front elevational view thereof;  
FIG. 4 is a rear elevational view thereof;  
FIG. 5 is a left side view thereof;  
FIG. 6 is a right side view thereof;  
FIG. 7 is a top plan view thereof;  
FIG. 8 is a bottom plan view thereof;  
FIG. 9 is an enlarged view of portion 9 in FIG. 1;  
FIG. 10 is an enlarged view of portion 10 in FIG. 1; and,  
FIG. 11 is an enlarged view of portion 11 in FIG. 5.  
The broken lines in the drawings illustrate portions of the projector which form no part of the claimed design.  
The oblique shade lines in the drawings represent reflective surfaces.

**1 Claim, 11 Drawing Sheets**



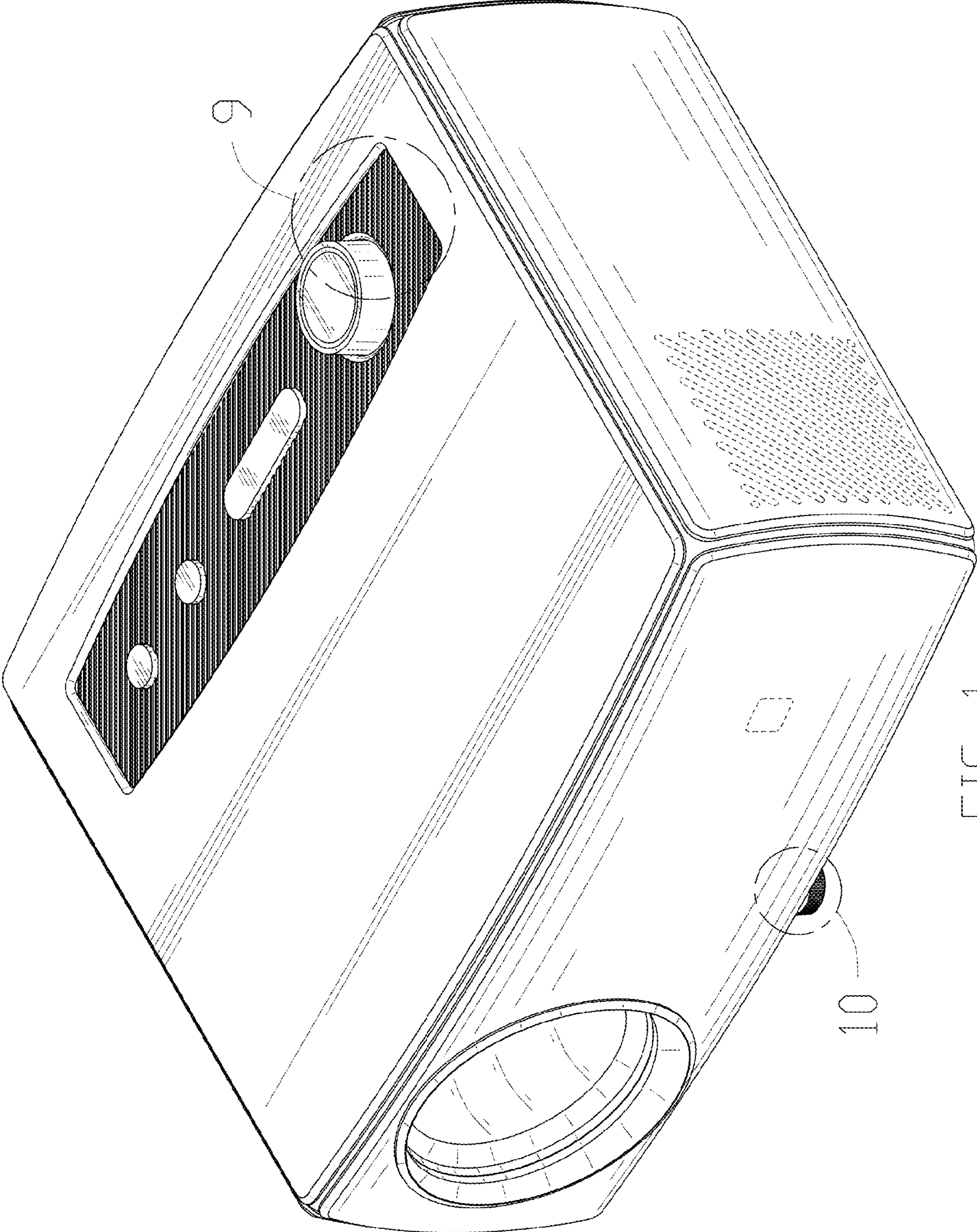


FIG. 1

9

10



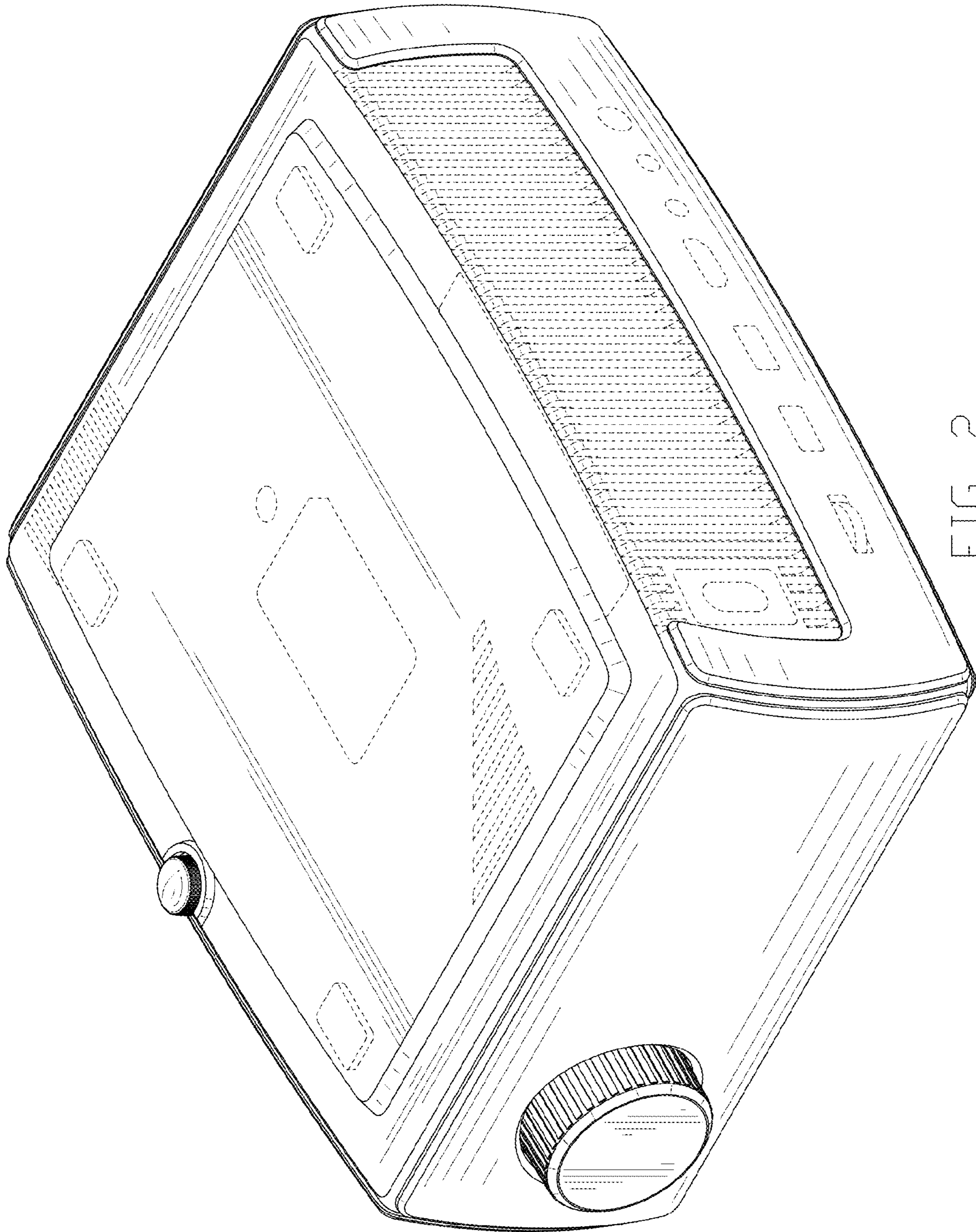


FIG. 2

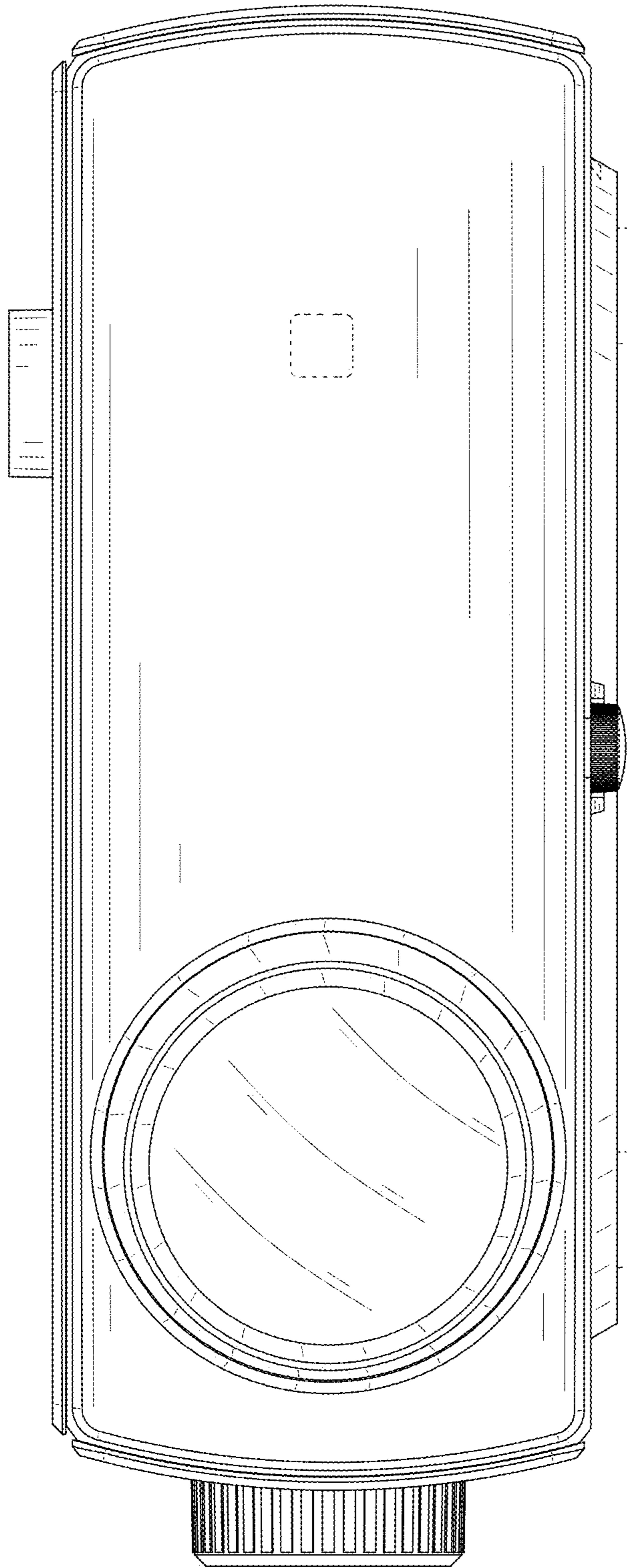


FIG. 3

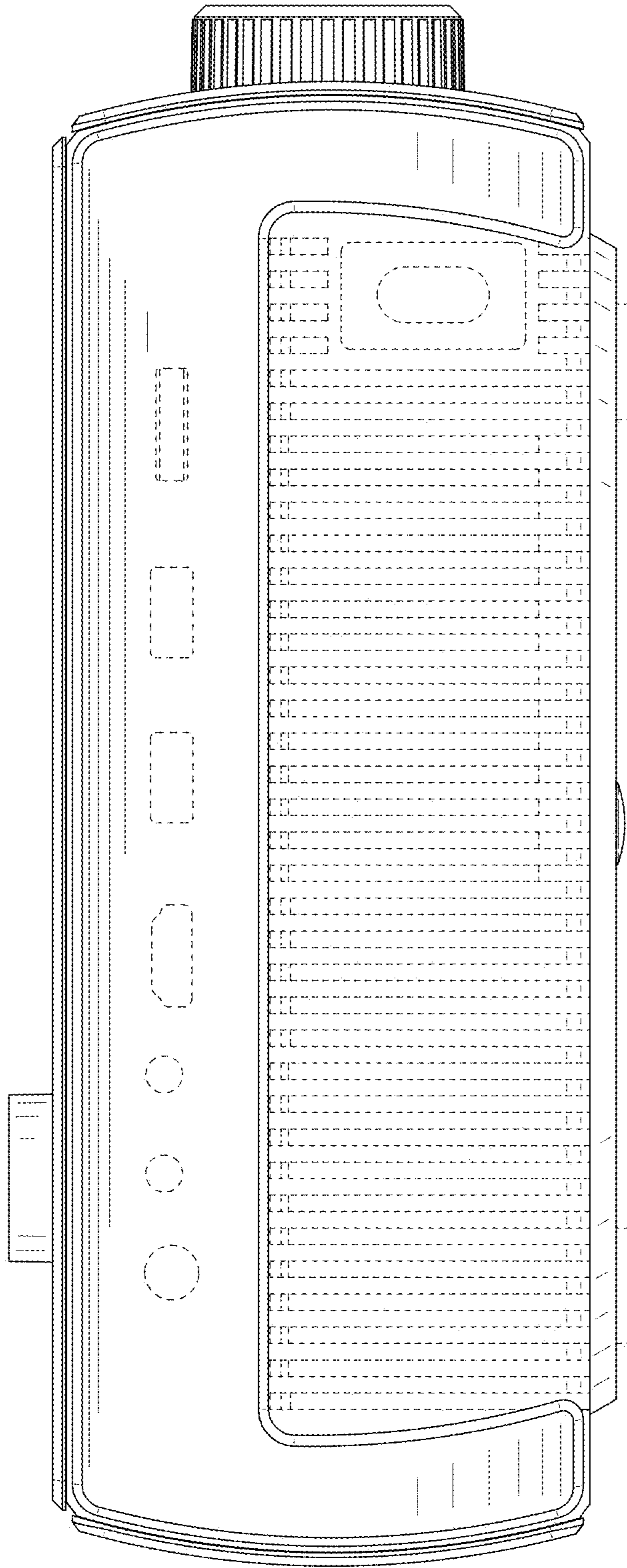


FIG. 4

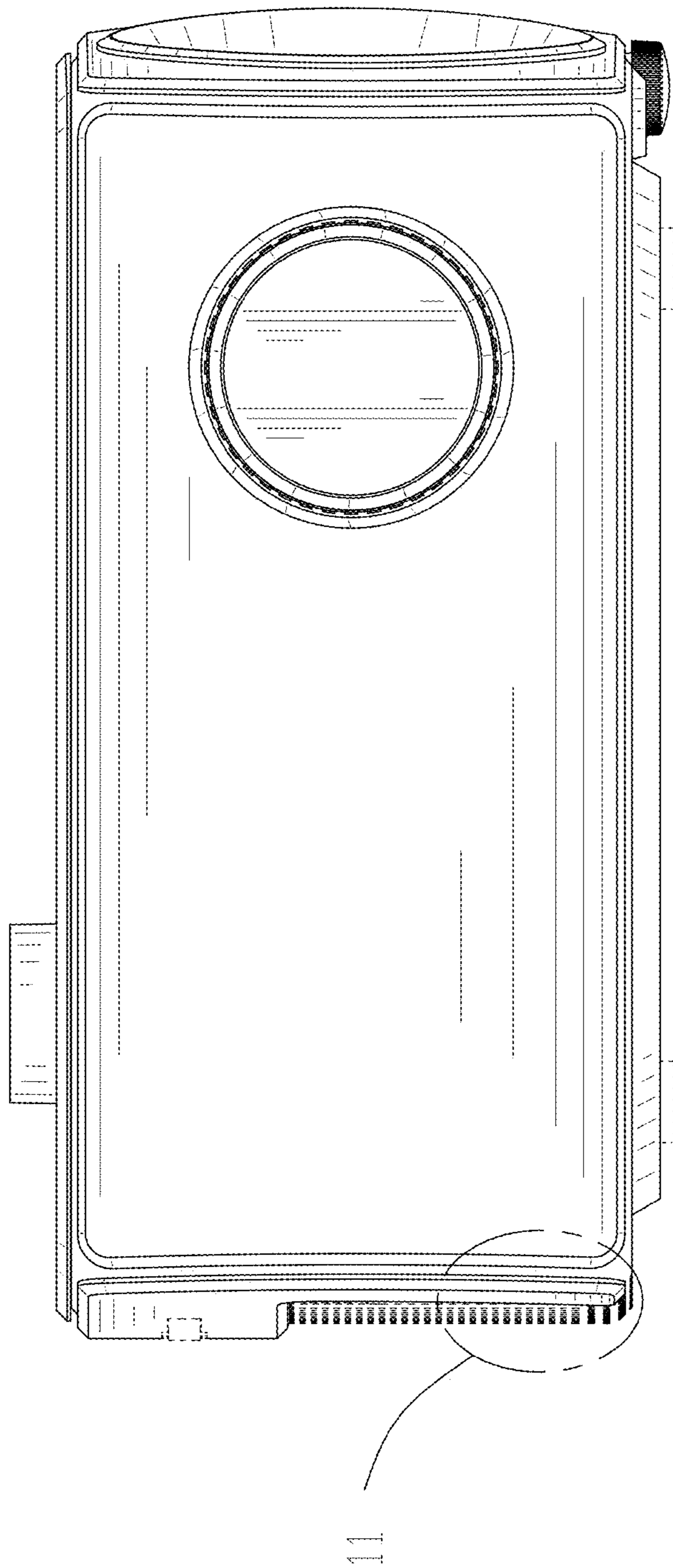


FIG. 5



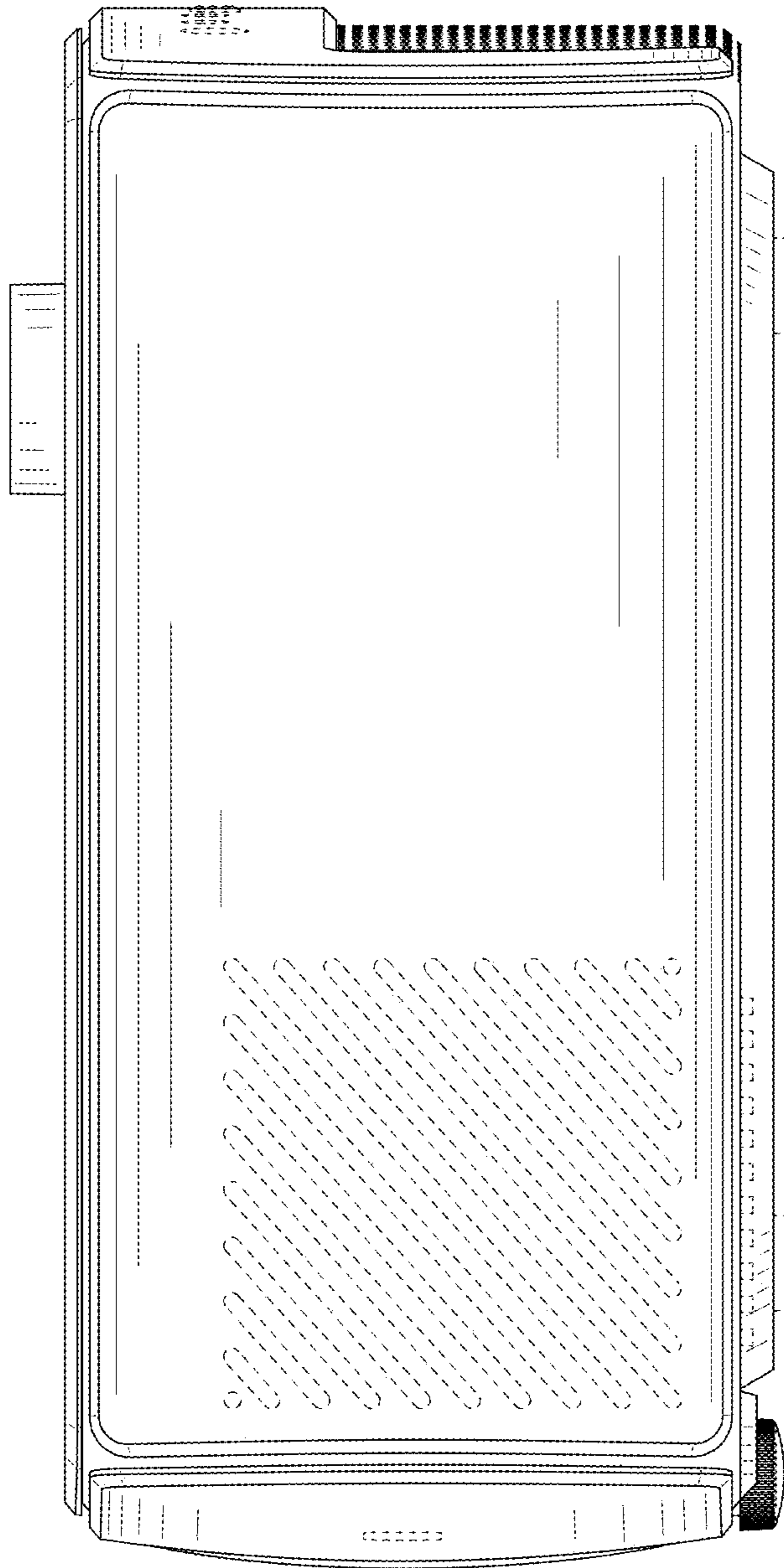


FIG. 6

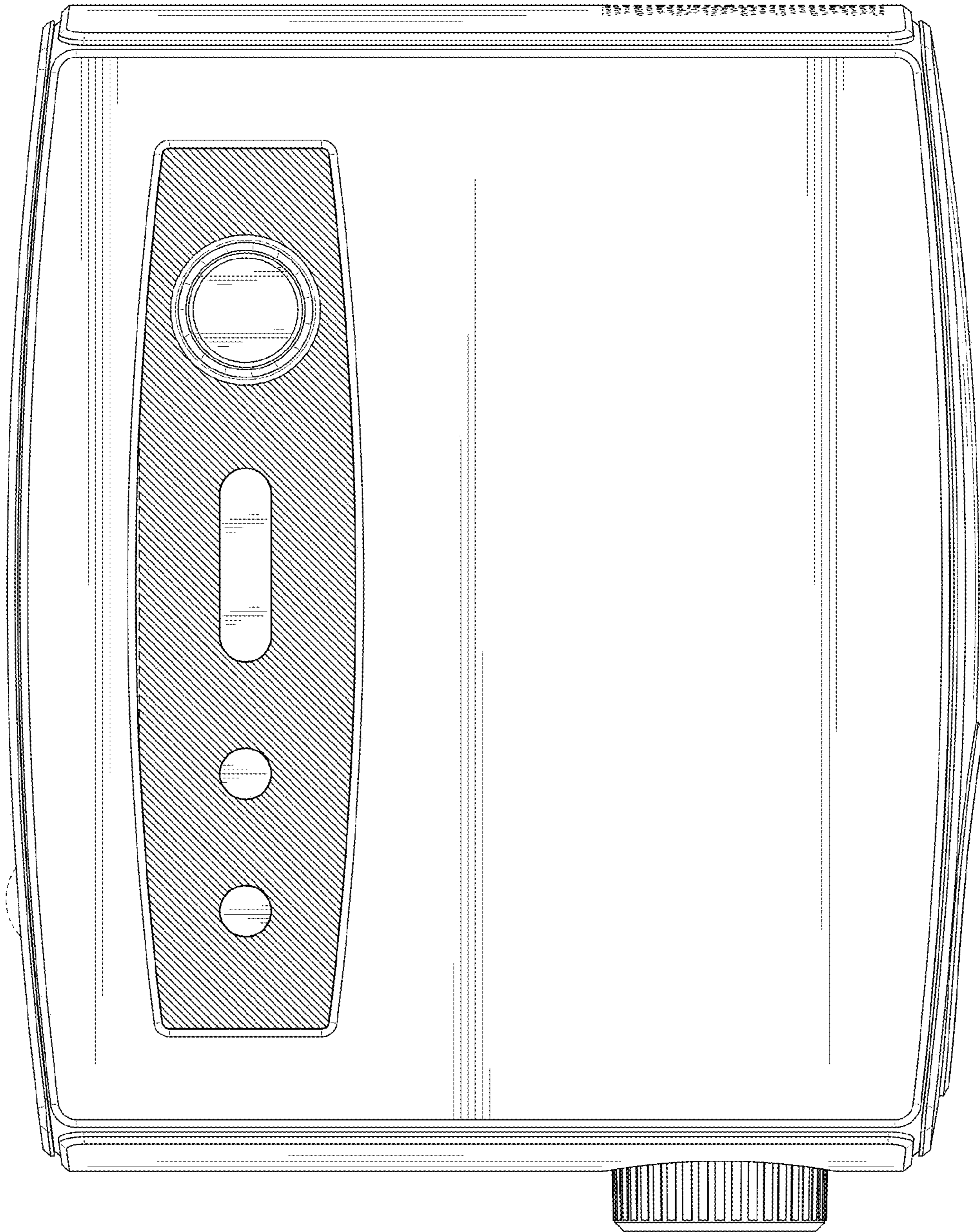


FIG. 7



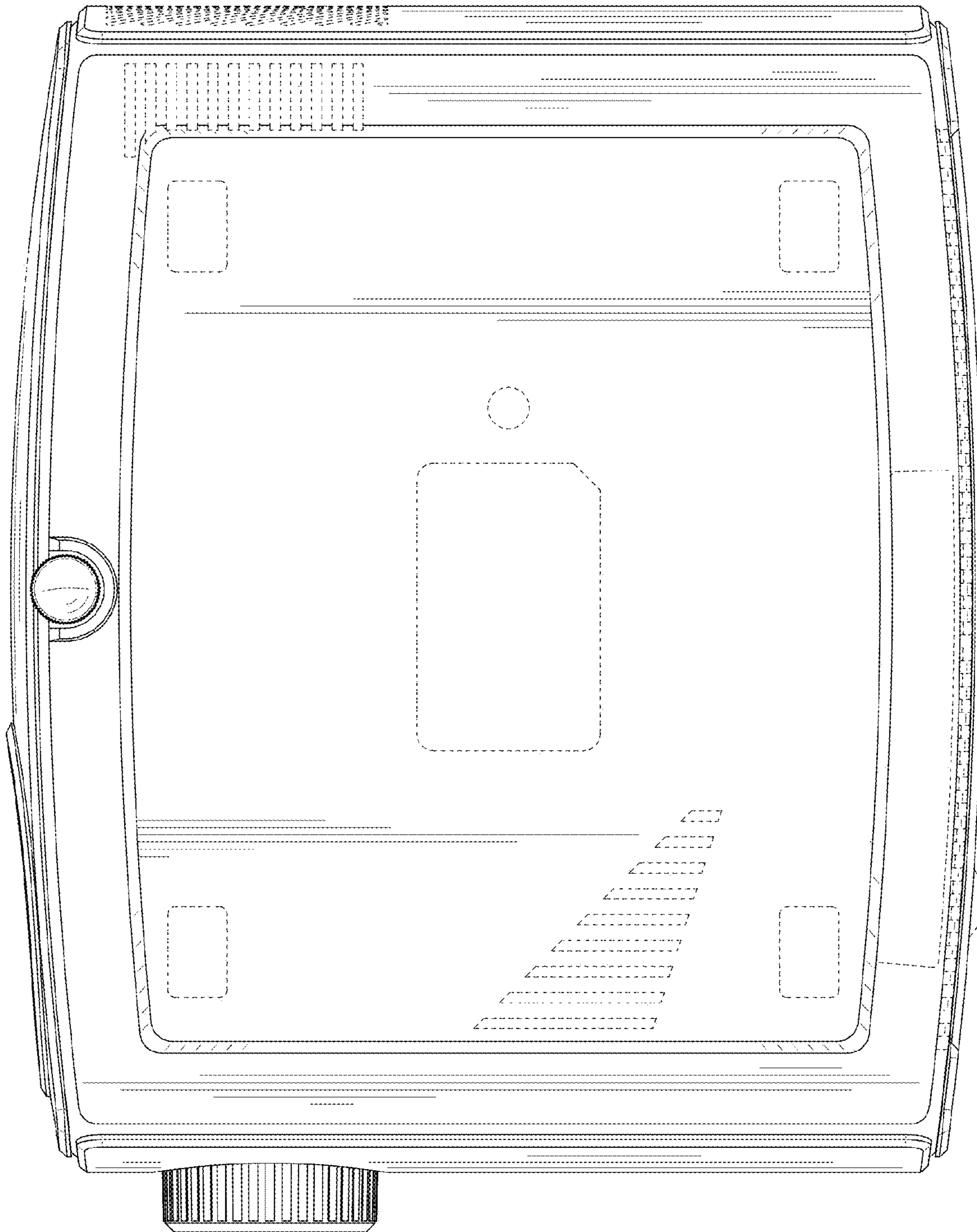


FIG. 8

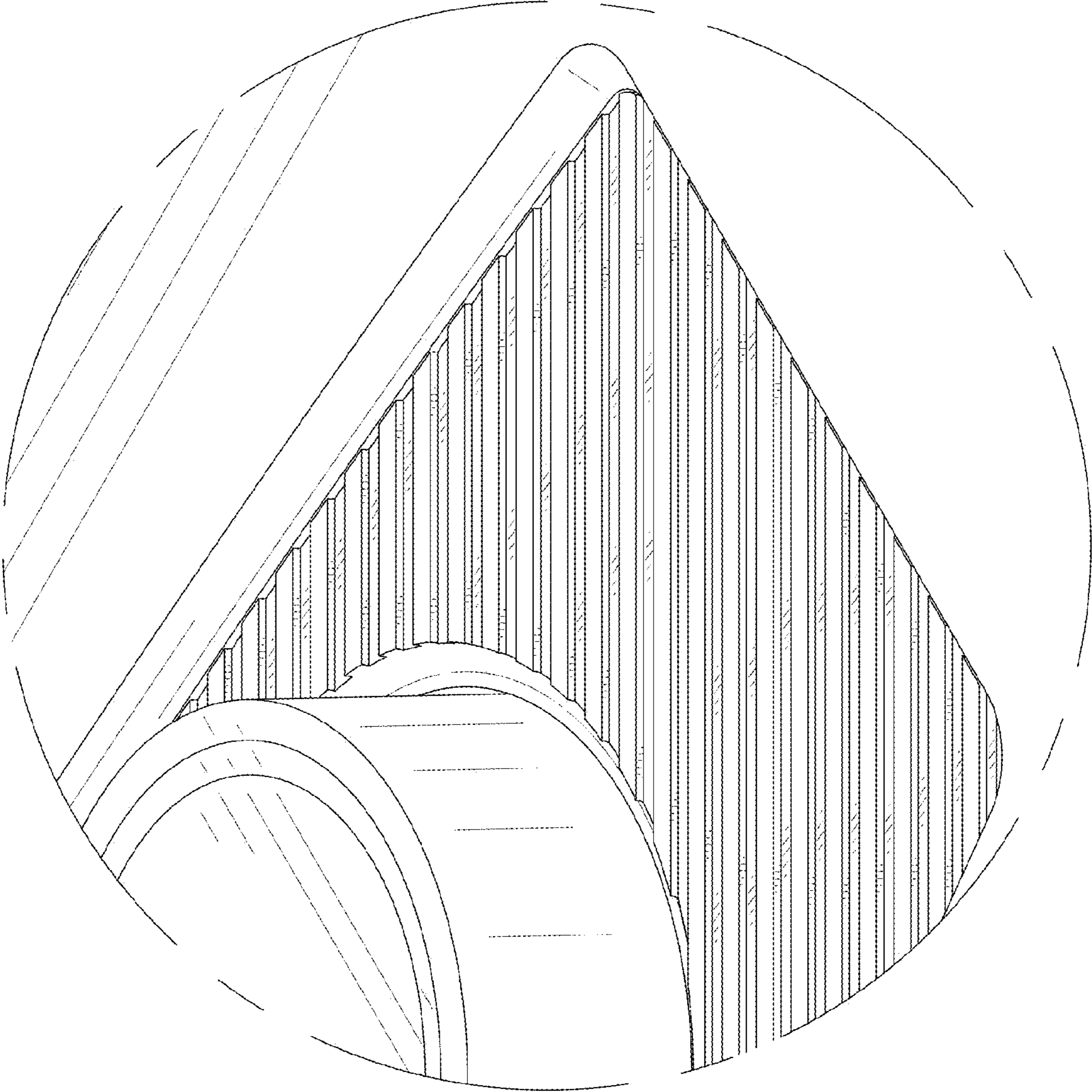


FIG. 9

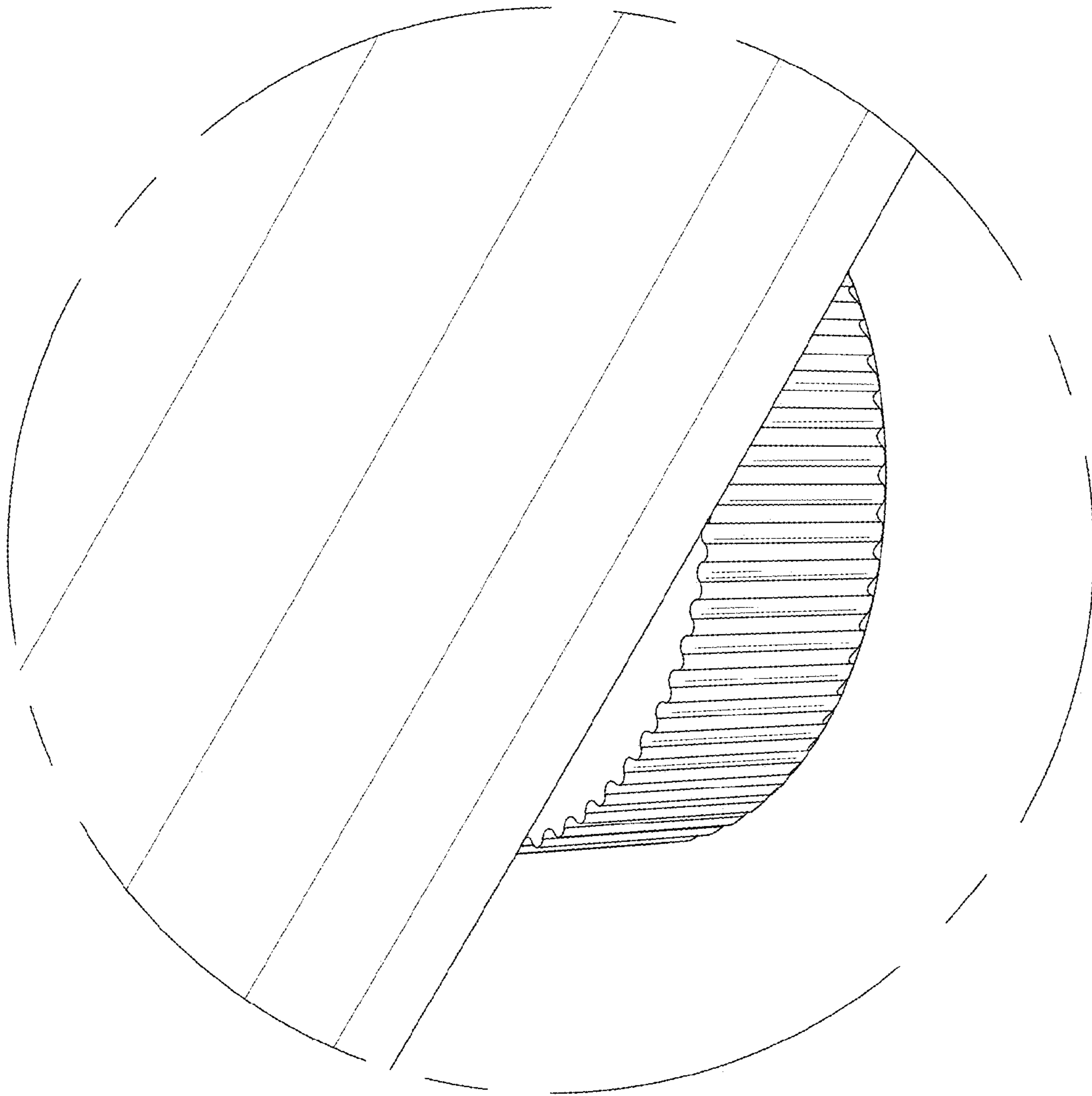


FIG. 10



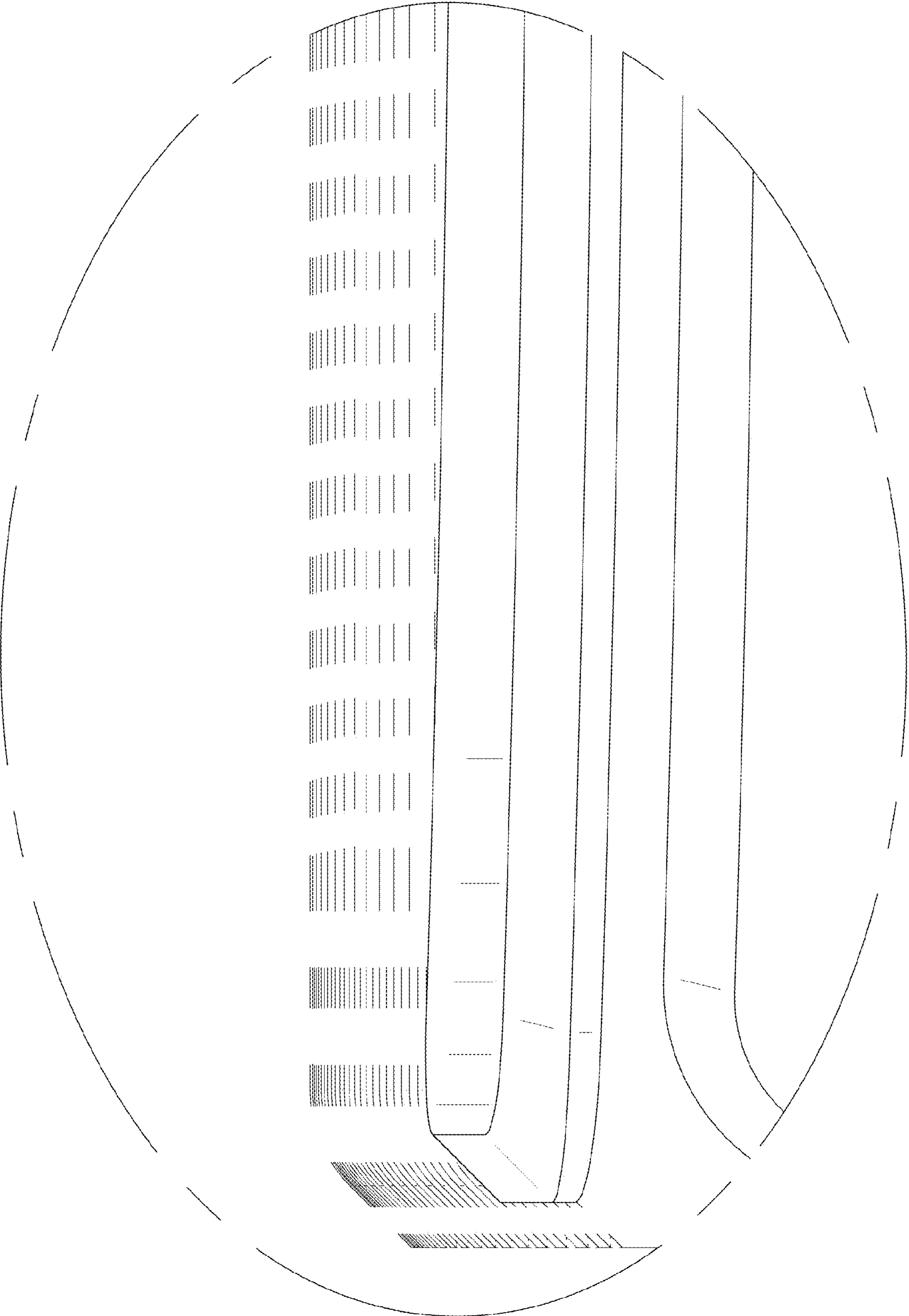


FIG. 11