



US00D944310S

(12) **United States Design Patent**  
**Chong**

(10) **Patent No.:** **US D944,310 S**

(45) **Date of Patent:** **\*\* Feb. 22, 2022**

- (54) **PROJECTOR SYSTEM**
- (71) Applicant: **GDC TECHNOLOGY (SHENZHEN) LIMITED**, Shenzhen (CN)
- (72) Inventor: **Man Nang Chong**, North Point (HK)
- (73) Assignee: **GDC TECHNOLOGY (SHENZHEN) LIMITED**, Shenzhen (CN)

- 6,135,600 A \* 10/2000 Fujimori ..... H04N 9/3105  
348/E9.027
- D434,430 S \* 11/2000 Saeki ..... D16/225
- D436,979 S \* 1/2001 Yokoyama ..... D16/225
- D449,061 S \* 10/2001 Lim ..... D16/225
- 6,698,899 B2 \* 3/2004 Yamada ..... G03B 21/145  
353/61
- D799,579 S \* 10/2017 Yuyama ..... D16/230
- 11,099,471 B2 \* 8/2021 Fujita ..... G03B 21/16

(\*\*) Term: **15 Years**

(21) Appl. No.: **29/735,097**

(22) Filed: **May 18, 2020**

(30) **Foreign Application Priority Data**

Mar. 5, 2020 (CN) ..... 202030071290.5

(51) **LOC (13) Cl.** ..... **16-02**

(52) **U.S. Cl.**  
USPC ..... **D16/230; D16/225**

(58) **Field of Classification Search**  
USPC ..... D16/221, 225, 230-231, 234; D21/514  
CPC ..... G03B 21/145; G03B 21/14; G03B 21/16;  
G03B 21/001; G03B 21/003; G03B  
21/12; G03B 21/00

See application file for complete search history.

(56) **References Cited**

**U.S. PATENT DOCUMENTS**

- D371,148 S \* 6/1996 Kobayashi ..... D16/221
- D392,302 S \* 3/1998 Oota ..... D16/221
- D421,036 S \* 2/2000 Oota ..... D16/230
- D422,003 S \* 3/2000 Takizawa ..... D16/230
- D422,292 S \* 4/2000 Takizawa ..... D16/225

\* cited by examiner

*Primary Examiner* — Wan Laymon

(74) *Attorney, Agent, or Firm* — Morrison & Foerster LLP

(57) **CLAIM**

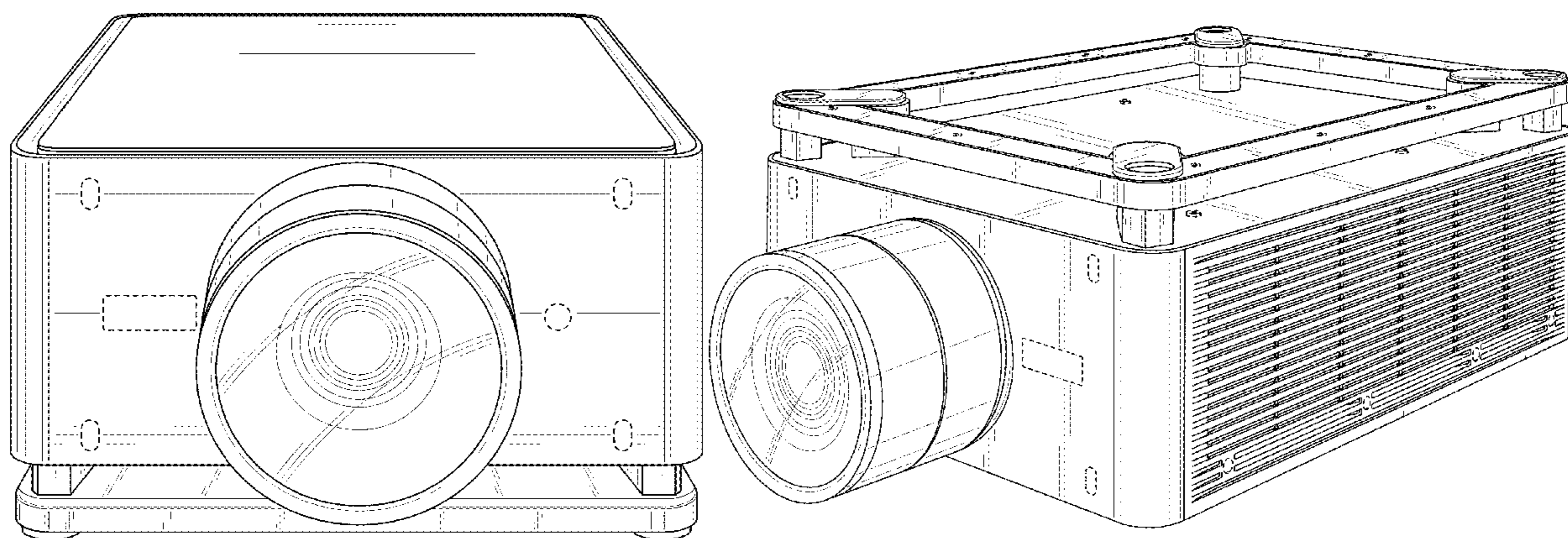
The ornamental design for a projector system, as shown and described.

**DESCRIPTION**

FIG. 1 is a front view of the projector system;  
 FIG. 2 is a back view of the projector system;  
 FIG. 3 is a left side view of the projector system;  
 FIG. 4 is a right side view of the projector system;  
 FIG. 5 is front right perspective view of the projector system;  
 FIG. 6 is a front left perspective view of the projector system;  
 FIG. 7 is a front top perspective view of the projector system; and,  
 FIG. 8 is a front left bottom perspective view of the projector system.

The broken lines shown in the drawings are included for the purpose of illustrating portions of the projector system and form no part of the claimed design.

**1 Claim, 8 Drawing Sheets**



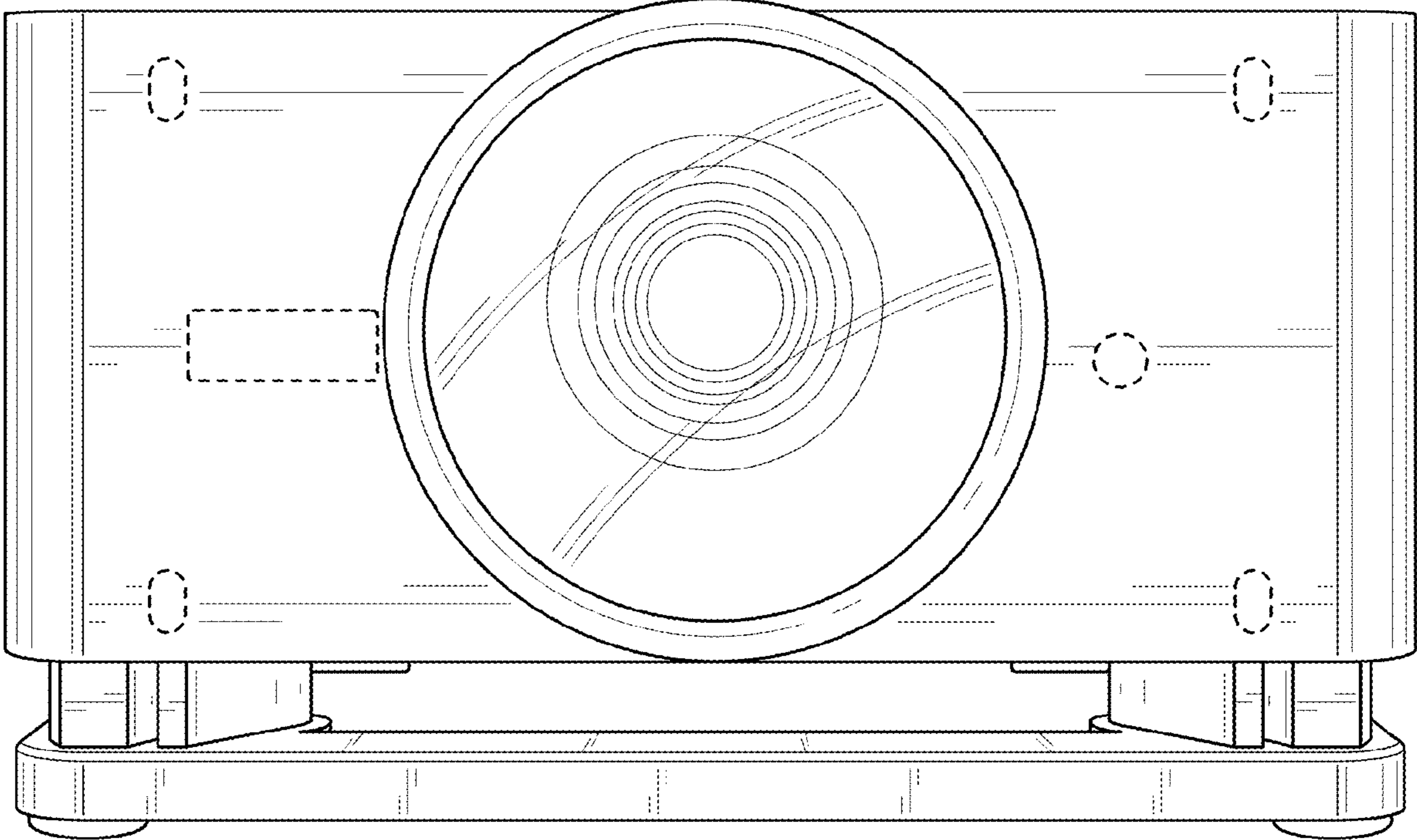


FIG. 1

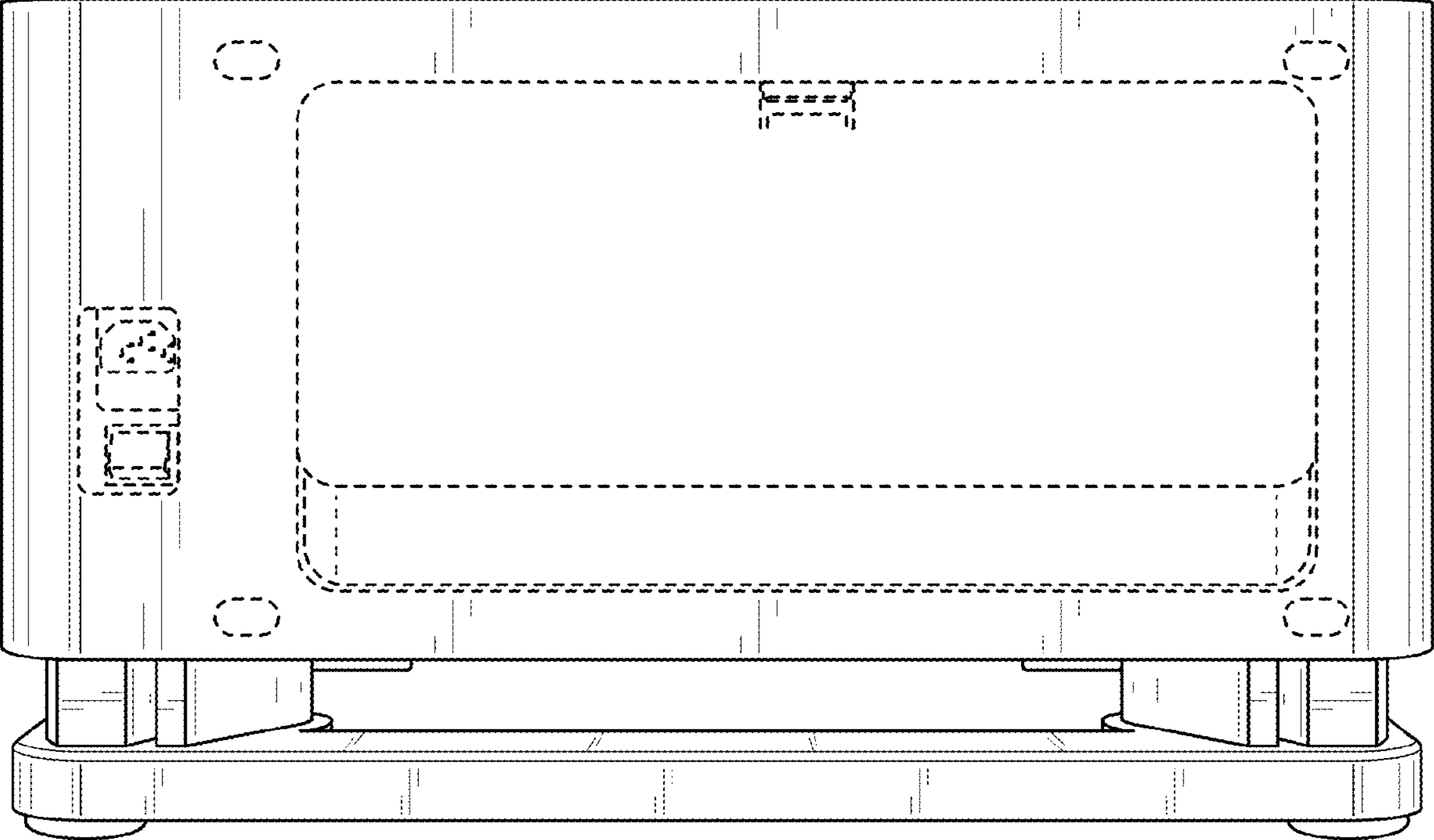


FIG. 2

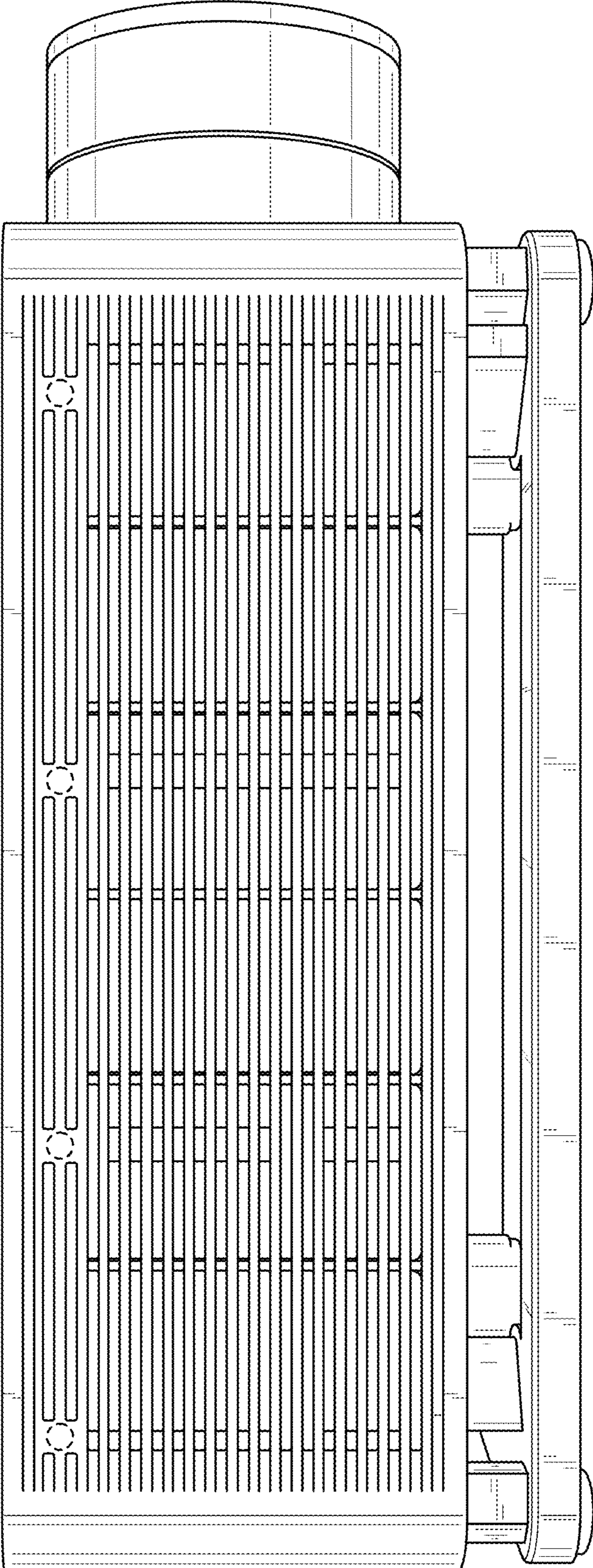


FIG. 3

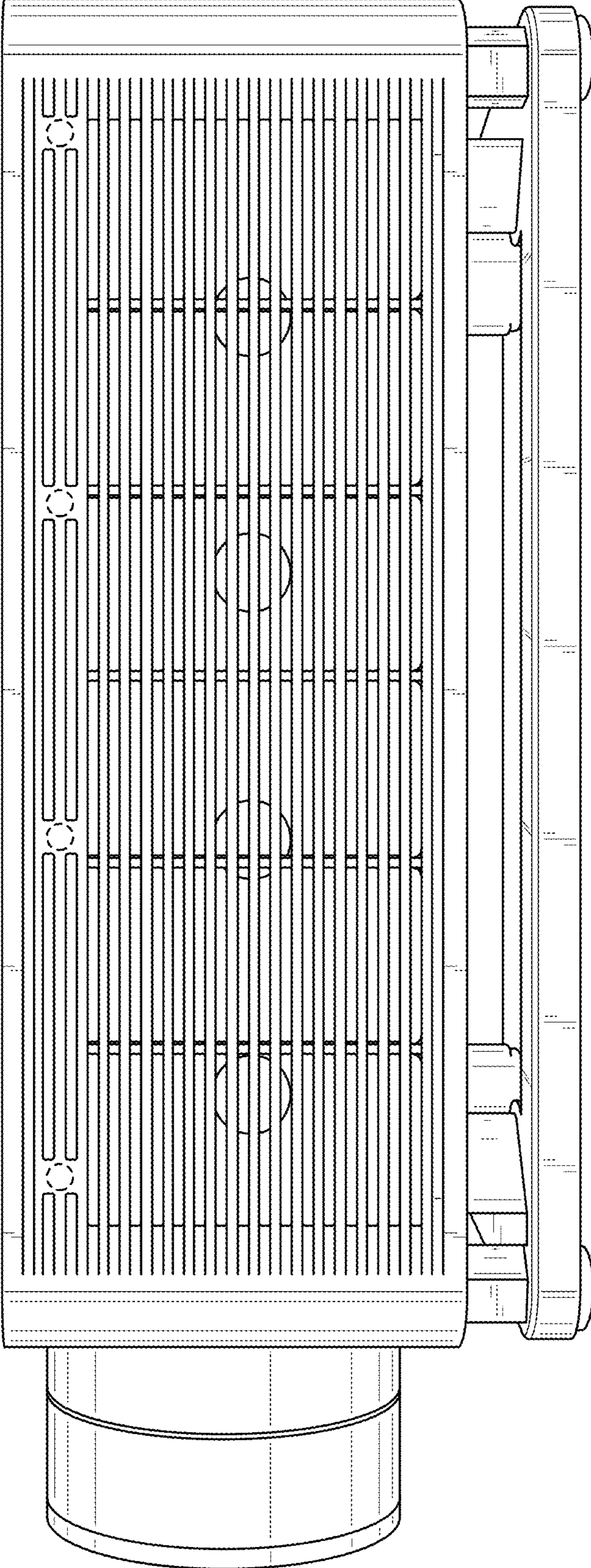


FIG. 4

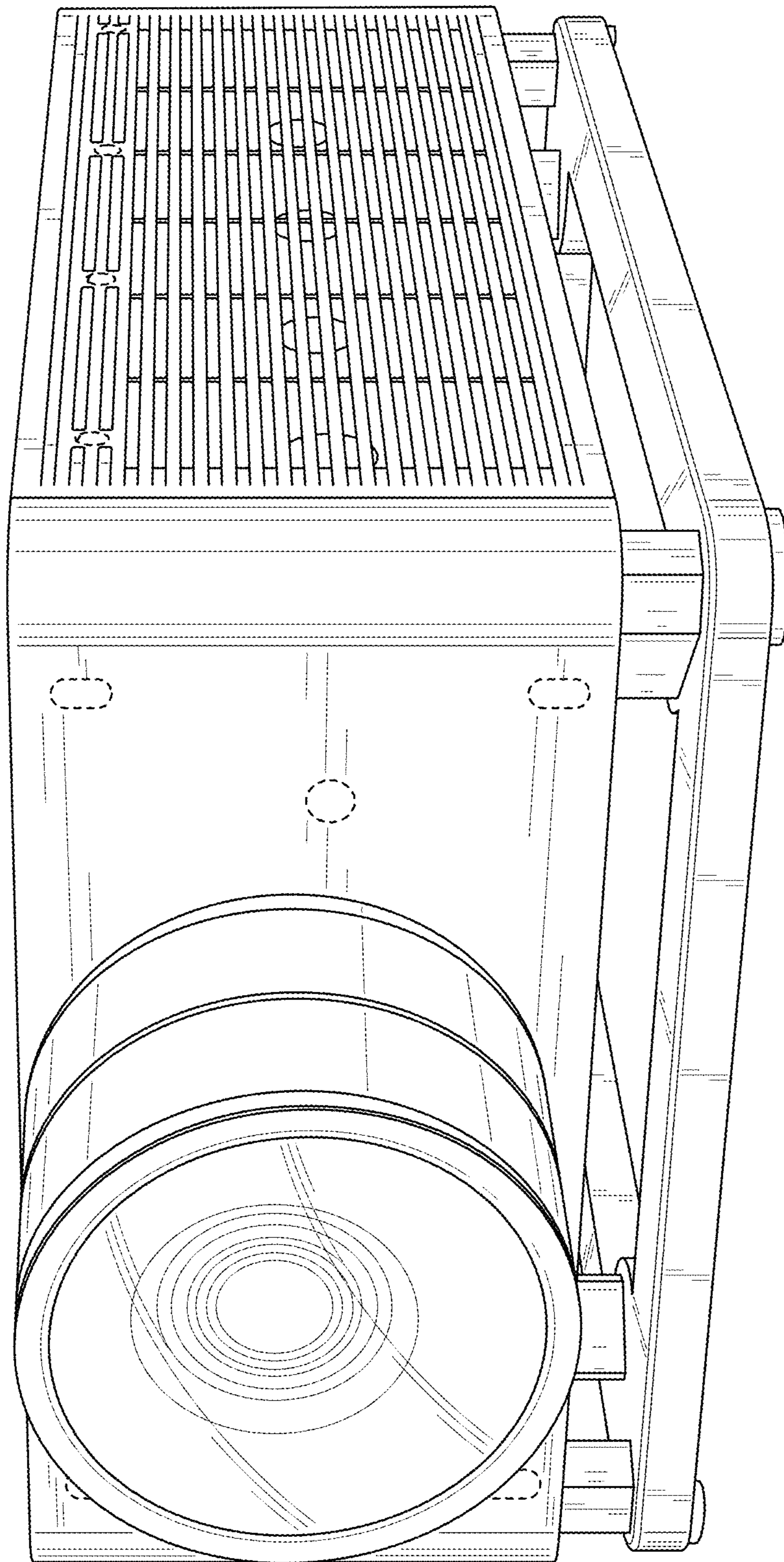


FIG. 5

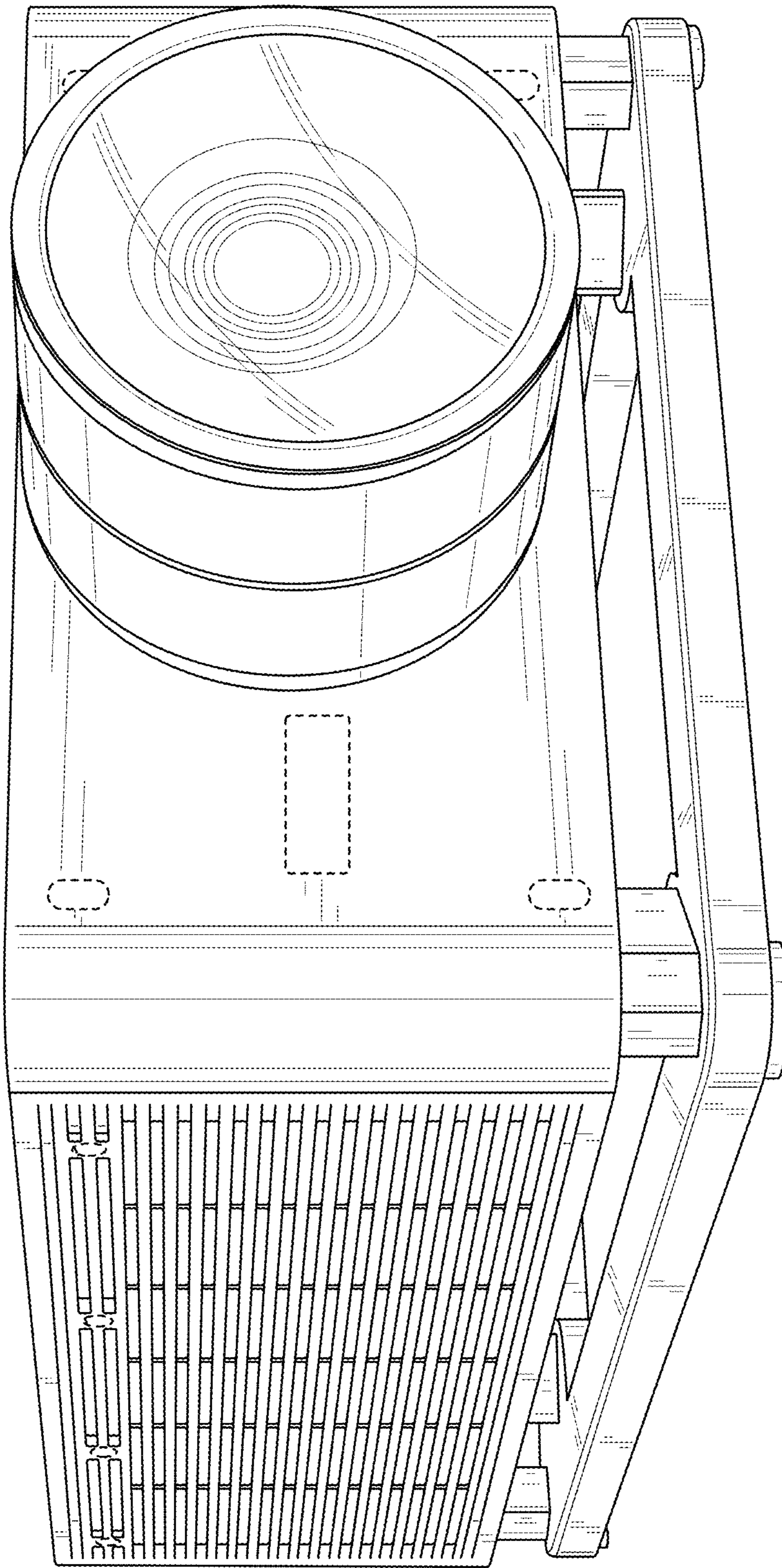


FIG. 6

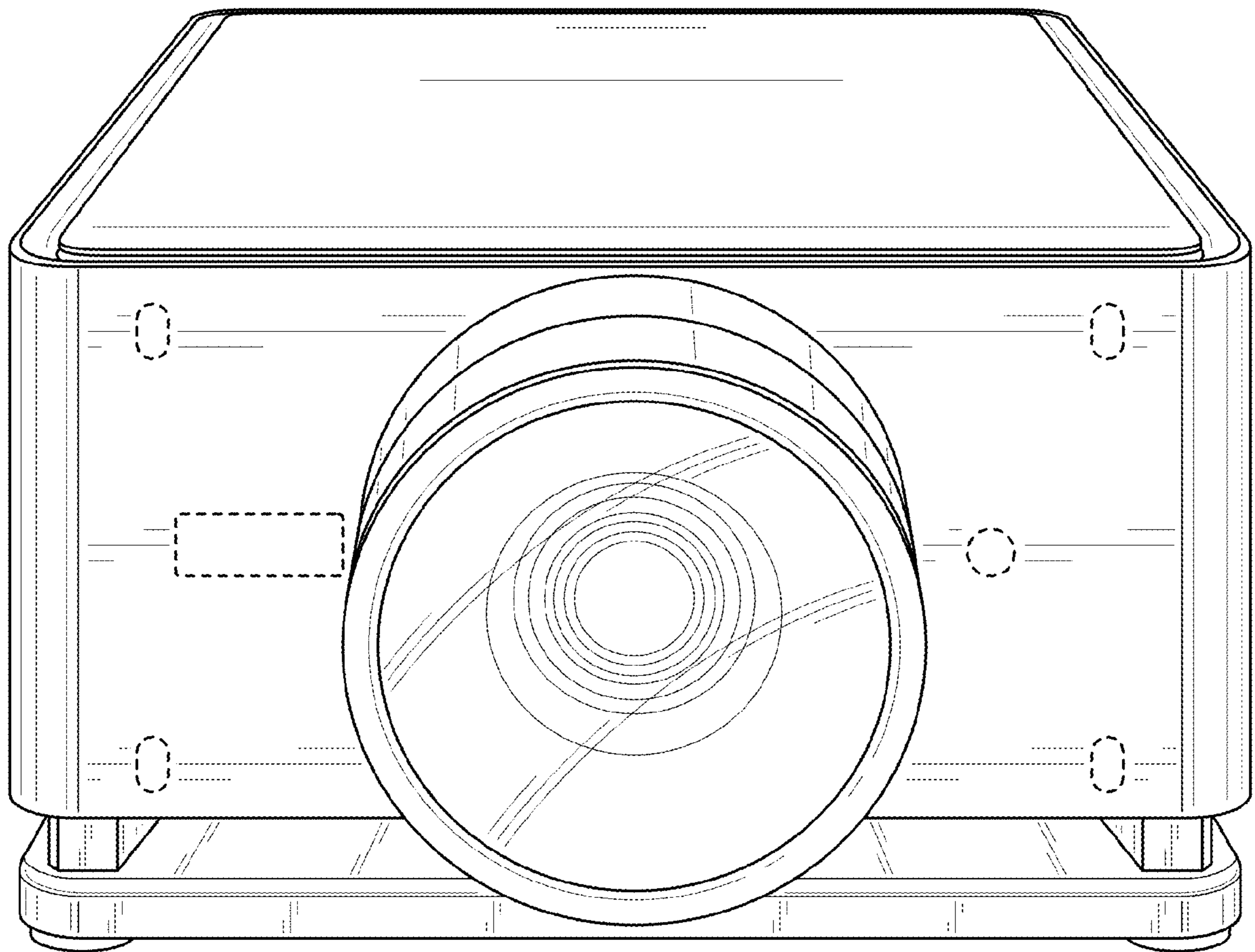


FIG. 7



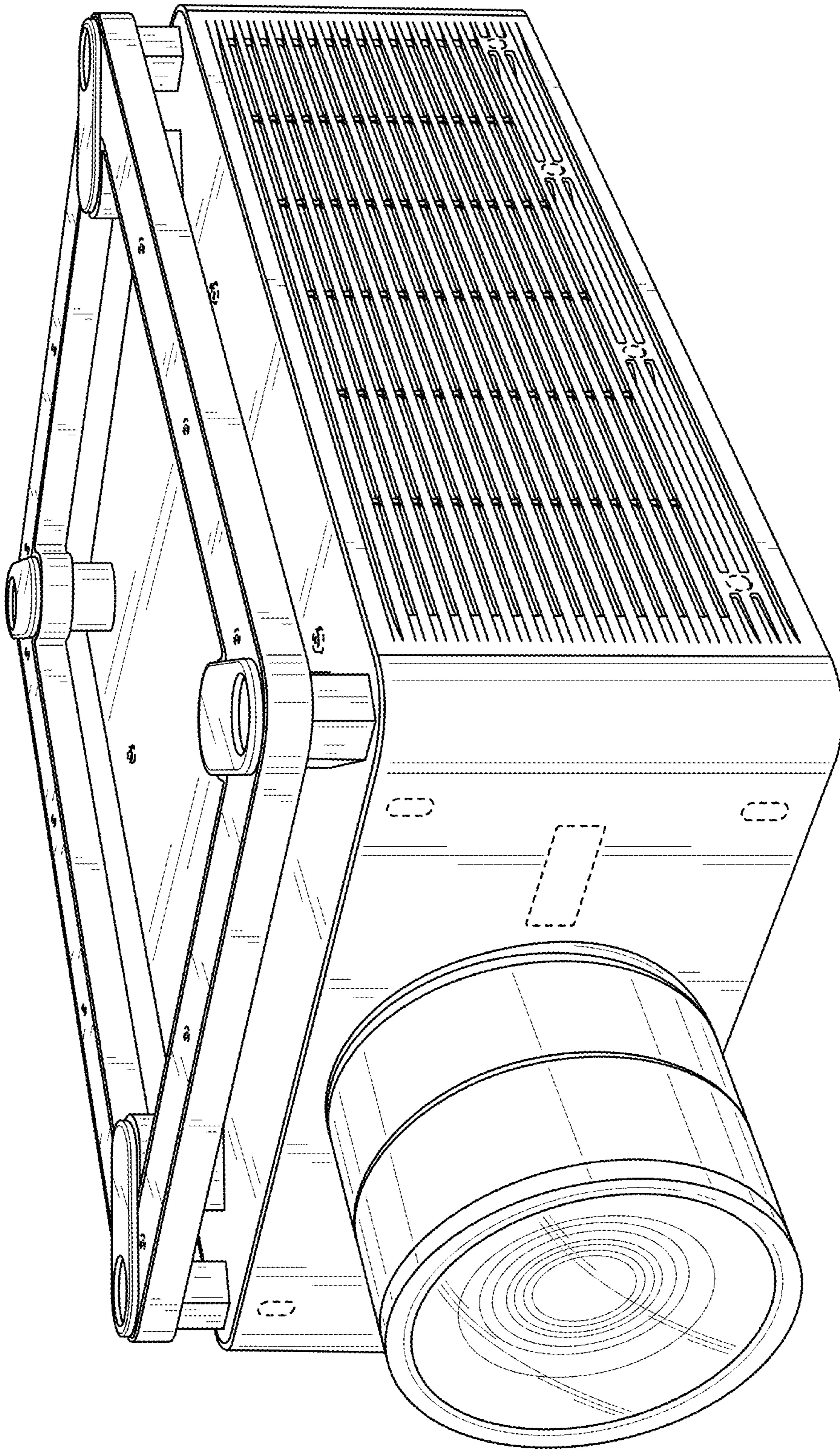


FIG. 8