



US00D944309S

(12) **United States Design Patent** (10) **Patent No.:** **US D944,309 S**  
**Isaac-Lowry** (45) **Date of Patent:** **\*\* \*Feb. 22, 2022**

(54) **COMBINED CAMERA-DVR HOUSING**

(71) Applicant: **O. Jacob Isaac-Lowry**, Lexington, KY (US)

(72) Inventor: **O. Jacob Isaac-Lowry**, Lexington, KY (US)

(73) Assignee: **JIL Holdings, Inc.**, Lexington, KY (US)

(\*) Notice: This patent is subject to a terminal disclaimer.

(\*\*) Term: **15 Years**

(21) Appl. No.: **29/651,530**

(22) Filed: **Aug. 21, 2018**

(51) **LOC (13) Cl.** ..... **16-01**

(52) **U.S. Cl.**  
USPC ..... **D16/204**

(58) **Field of Classification Search**  
USPC ..... D16/200-220, 131, 237, 242, 239, 250, D16/235, 130, 134, 136, 238; D14/138 C, 240, 248, 203.1, 203.3, 203.7, D14/218, 207; D10/104.1, 50, 65, 74, D10/70, 118.2  
CPC . G02B 7/02; G02B 7/021; G02B 7/04; G02B 7/14; G02B 7/003; G03B 17/00; G03B 17/02; G03B 17/56; G03B 17/04; G03B 17/14; G03B 17/08; G03B 15/03; G03B 15/06; H04N 5/2251; H04N 5/2252; H04N 5/2253; H04N 5/2254; H04N 7/00; H04N 2101/00; F16M 13/00  
See application file for complete search history.

(56) **References Cited**

**U.S. PATENT DOCUMENTS**

D242,923 S \* 1/1977 Dattner ..... D25/16  
D251,613 S \* 4/1979 Wollman ..... D25/16

D307,081 S \* 4/1990 Allen ..... D14/307  
D311,956 S \* 11/1990 Barnes ..... D25/16  
5,184,215 A \* 2/1993 Barker ..... H02G 13/00  
348/143  
D402,663 S \* 12/1998 Fechner ..... D14/140.6  
5,936,610 A \* 8/1999 Endo ..... H04N 7/142  
345/157  
D418,152 S \* 12/1999 McBride ..... D16/204  
6,553,459 B1 \* 4/2003 Silverbrook ..... B41J 2/01  
400/88  
D474,489 S \* 5/2003 Kawashima ..... D16/202  
(Continued)

**OTHER PUBLICATIONS**

FlyWire camera and portable electronic monitoring system, published 2018 [online], [retrieved Sep. 1, 2019] Available from Internet, URL: <https://www.flywirecameras.com/>.\*

(Continued)

*Primary Examiner* — Kevin K Rudzinski  
(74) *Attorney, Agent, or Firm* — Francis Law Firm, PLLC; James M. Francis

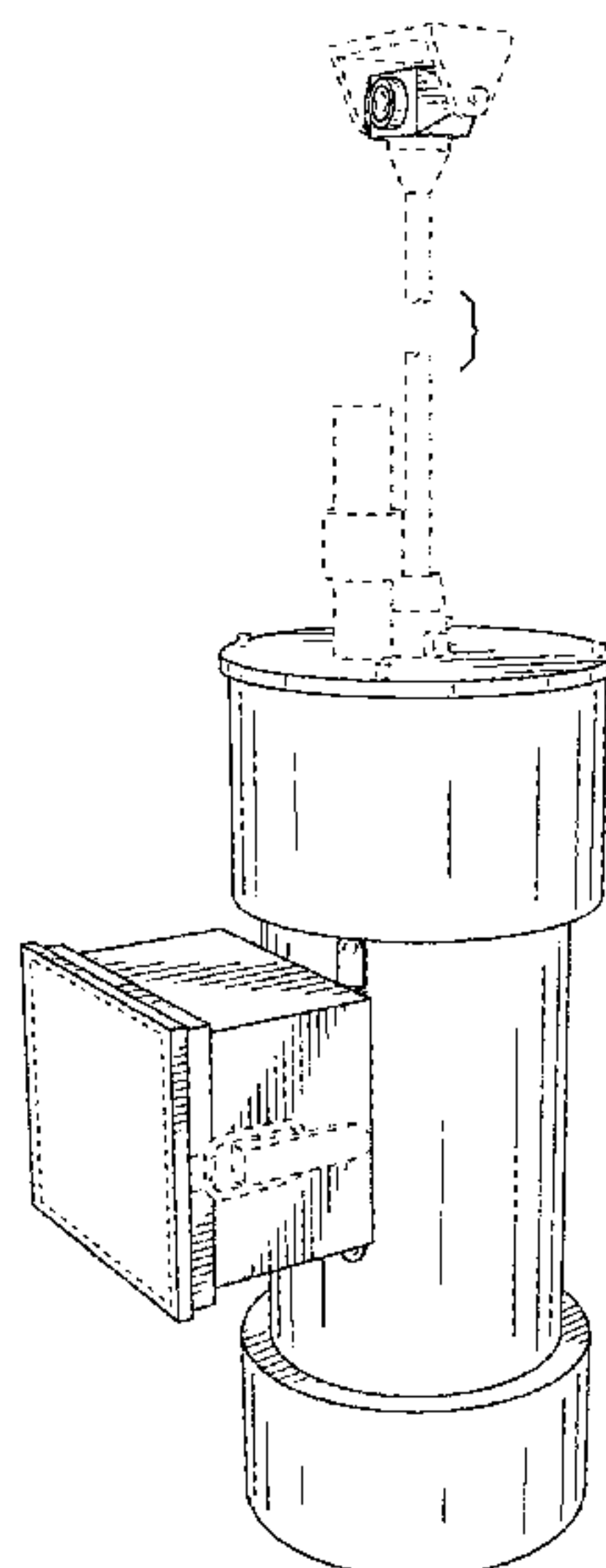
(57) **CLAIM**

I claim the ornamental design for a combined camera-DVR housing, as shown and described.

**DESCRIPTION**

FIG. 1 is a right side front perspective view of a combined camera-DVR housing showing the new design;  
FIG. 2 is a front view thereof;  
FIG. 3 is a rear view thereof;  
FIG. 4 is a right side view thereof;  
FIG. 5 is a left side view thereof;  
FIG. 6 is a top view thereof; and,  
FIG. 7 is a bottom view thereof.  
The broken lines shown in the drawings depict portions of the combined camera-DVR housing that form no part of the claimed design.

**1 Claim, 6 Drawing Sheets**



(56)

References Cited

U.S. PATENT DOCUMENTS

6,680,795 B2 \* 1/2004 Chezar ..... G02B 21/0004  
 359/363  
 D496,381 S \* 9/2004 McDonald ..... D16/203  
 D541,326 S \* 4/2007 Ford ..... D16/203  
 D546,347 S \* 7/2007 Millora ..... D14/496  
 7,480,005 B2 \* 1/2009 Jeon ..... H04N 5/2252  
 348/207.99  
 D671,584 S \* 11/2012 Ohno ..... D16/202  
 8,437,630 B2 \* 5/2013 Wessner ..... G03B 17/08  
 396/25  
 D709,118 S \* 7/2014 Yu ..... D16/204  
 D727,388 S \* 4/2015 Huang ..... D16/214  
 D730,305 S \* 5/2015 Brunn ..... D13/184  
 D731,575 S \* 6/2015 Moss ..... D16/215  
 D740,341 S \* 10/2015 Wada ..... D16/203  
 D744,541 S \* 12/2015 Langhammer ..... D14/203.1  
 D747,389 S \* 1/2016 Isaac-Lowry ..... D16/218  
 D758,025 S \* 5/2016 Ma ..... D30/199  
 D765,618 S \* 9/2016 Alves ..... D14/216  
 D778,241 S \* 2/2017 Holbrook ..... D13/152  
 D781,361 S \* 3/2017 Dimitriadis ..... D16/203  
 D795,941 S \* 8/2017 Dimitriadis ..... D16/203  
 D796,974 S \* 9/2017 Dallarosa ..... D10/70  
 D798,252 S \* 9/2017 Vourkoutiotis ..... D13/184  
 D805,040 S \* 12/2017 Oksengendler ..... D13/162  
 D819,105 S \* 5/2018 Kitade ..... D16/202  
 D821,895 S \* 7/2018 Jeong ..... D10/46  
 D826,746 S \* 8/2018 Qiu ..... D10/70  
 D834,631 S \* 11/2018 Park ..... D16/203

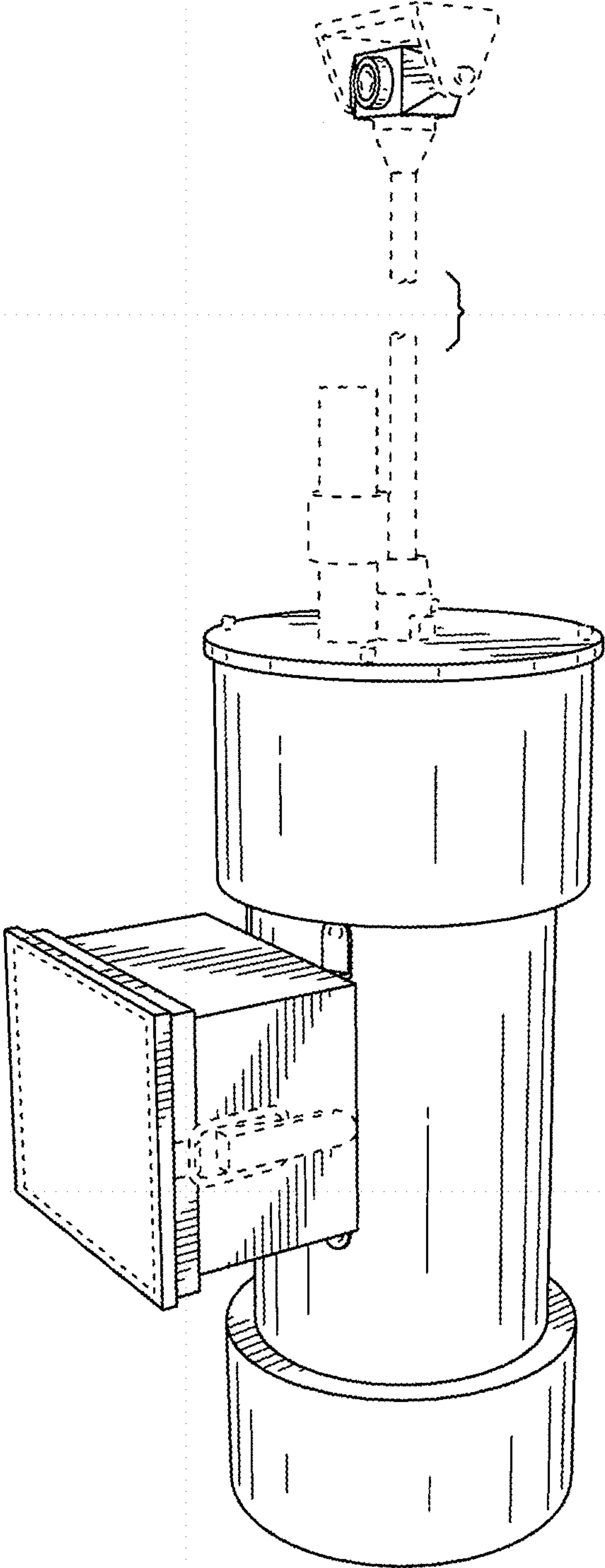
D842,358 S \* 3/2019 Puric ..... D16/203  
 2012/0120235 A1 \* 5/2012 Kwon ..... G03B 17/08  
 348/143  
 2014/0037282 A1 \* 2/2014 Chen ..... G03B 17/08  
 396/427  
 2015/0070480 A1 \* 3/2015 Pikkula ..... G03B 15/02  
 348/77  
 2015/0070493 A1 \* 3/2015 Chan ..... G03B 17/02  
 348/143  
 2015/0296189 A1 \* 10/2015 Yu ..... G01J 3/513  
 348/266  
 2016/0112611 A1 \* 4/2016 Isaac-Lowry ..... H04N 5/2257  
 348/207.1  
 2017/0372573 A1 \* 12/2017 Park ..... H04N 7/185  
 2018/0252692 A1 \* 9/2018 Canty ..... B01J 8/1809  
 2019/0077334 A1 \* 3/2019 Tsantzalis ..... B60R 11/04  
 2020/0252576 A1 \* 8/2020 Isaac-Lowry ..... H04N 5/77

OTHER PUBLICATIONS

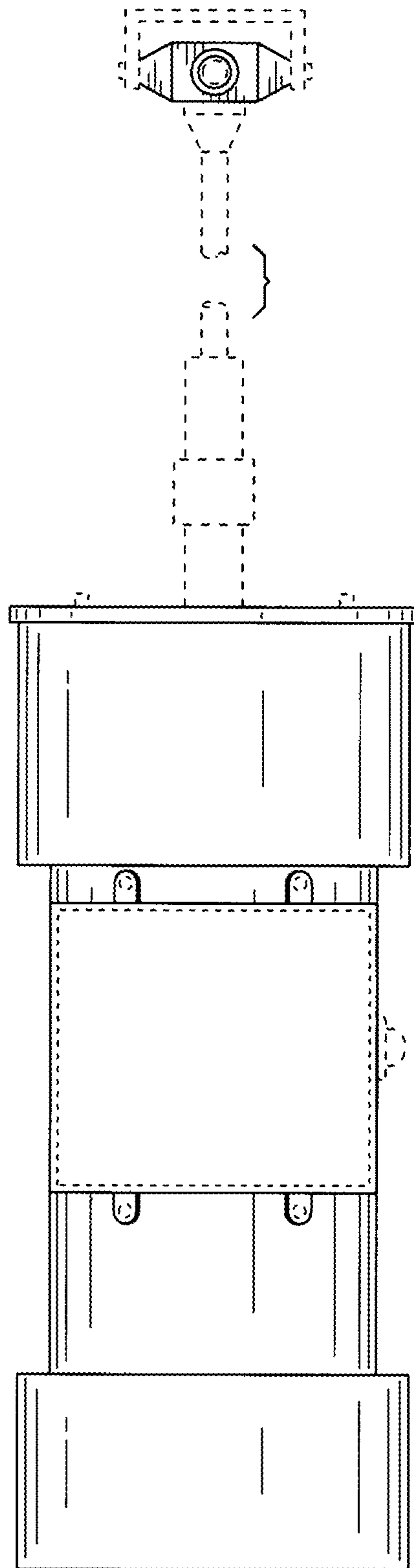
How to Build a Low-Cost Underwater Camera Housing for Aquatic Research posted to facetsjournal.com. Available date: Feb. 16, 2017 [site visited Nov. 15, 2021] Available: <<https://www.facetsjournal.com/doi/10.1139/facets-2016-0048>> (Year: 2017).\*

A DIY Underwater Housing for Arduino Data Loggers Made From PVC Pipe posted to thecavepearlproject.org. Available date: Feb. 4, 2015 [site visited 11/15/2021] Available: <<https://thecavepearlproject.org/2015/02/04/a-new-diy-underwater-housing-for-2015/>> (Year: 2015).\*

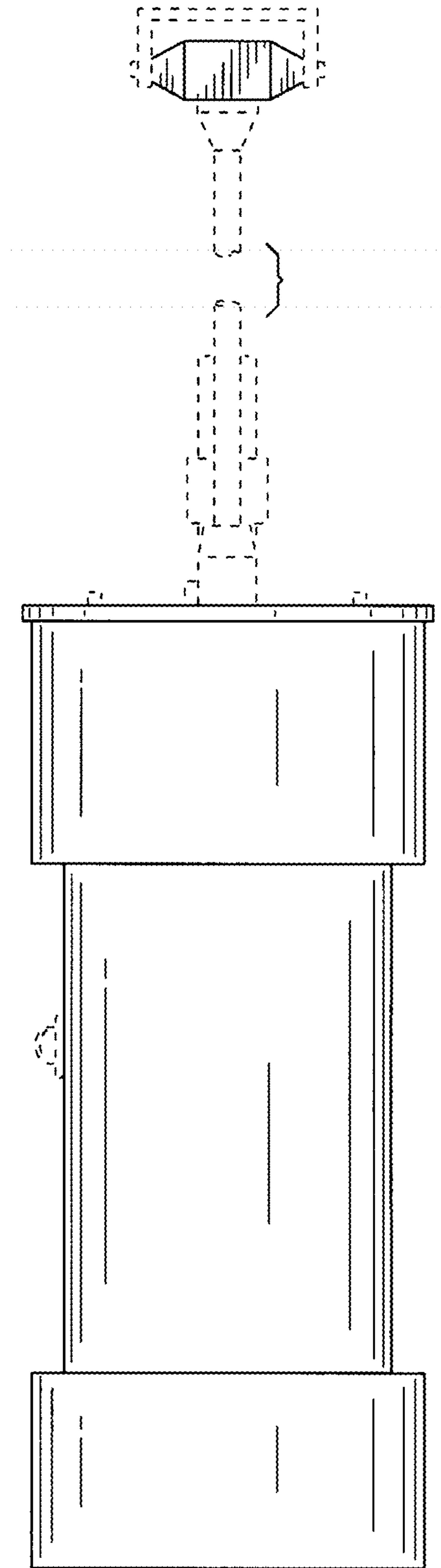
\* cited by examiner



**FIG. 1**

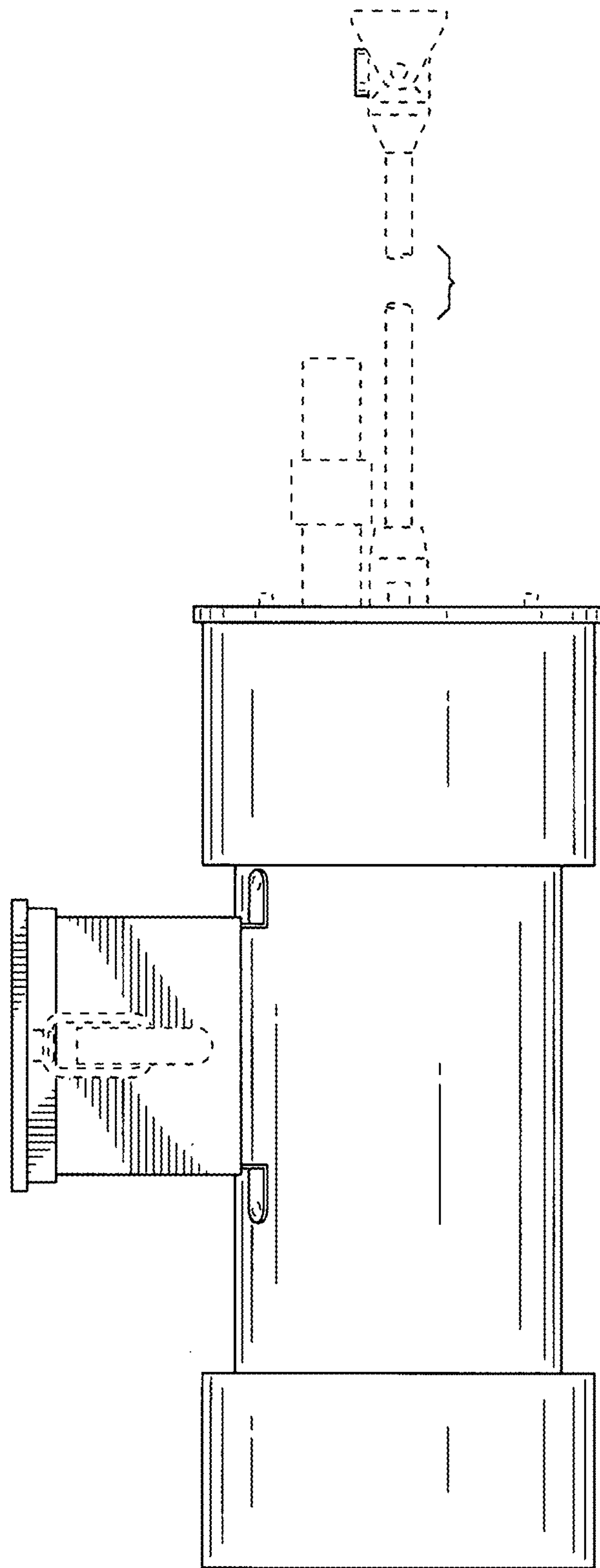


**FIG. 2**

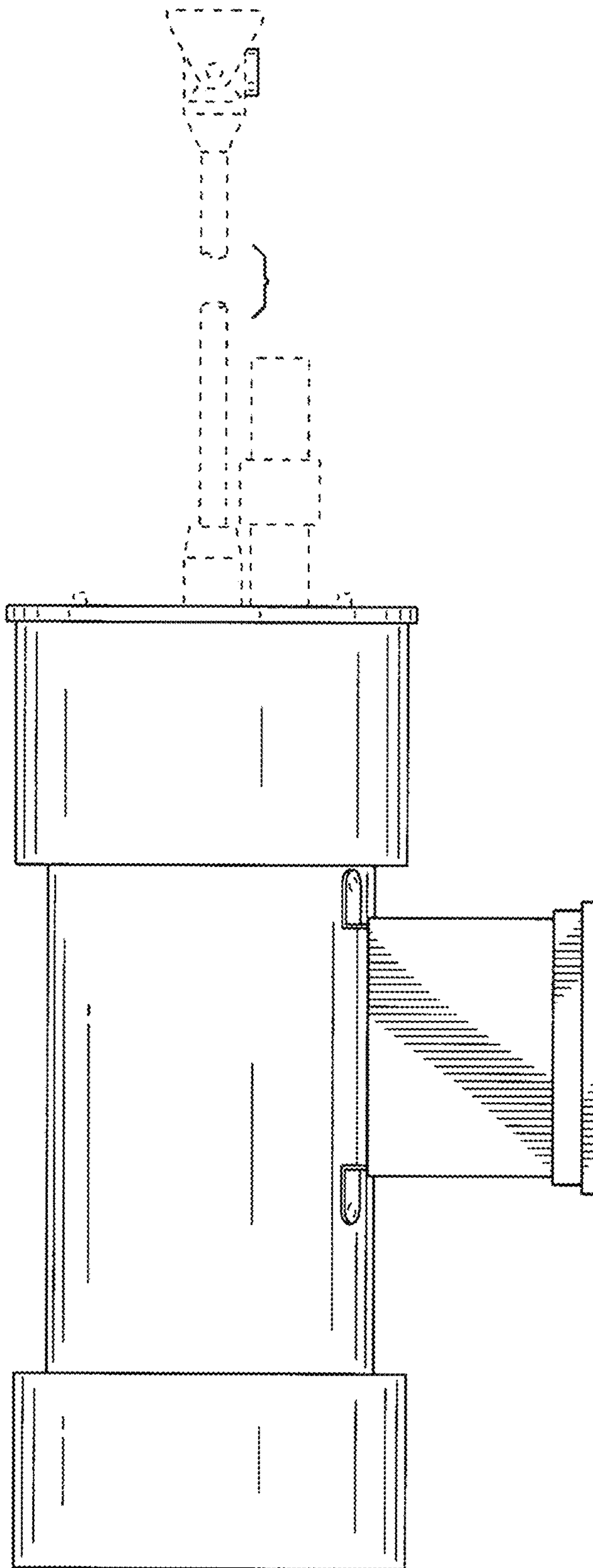


**FIG. 3**

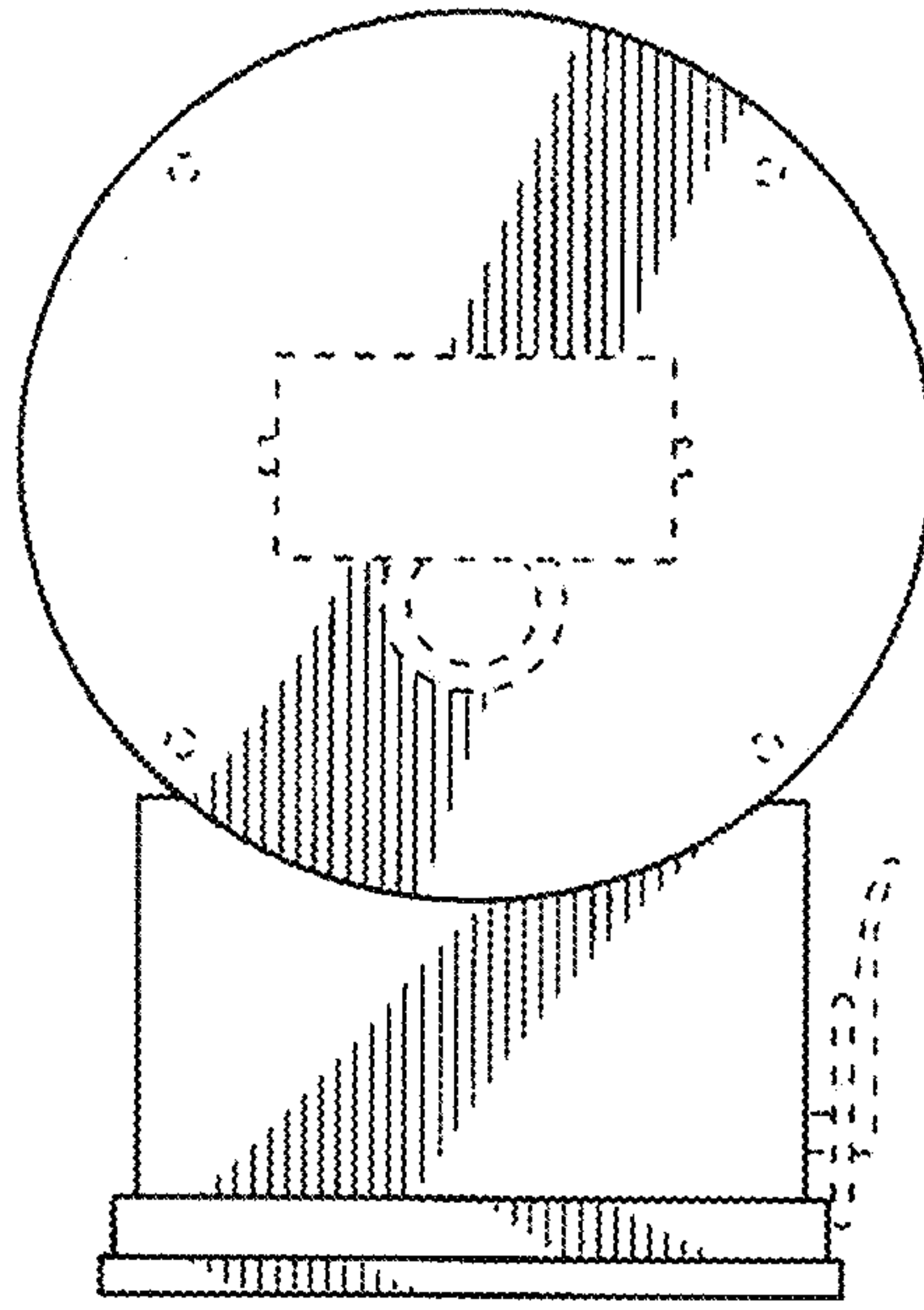




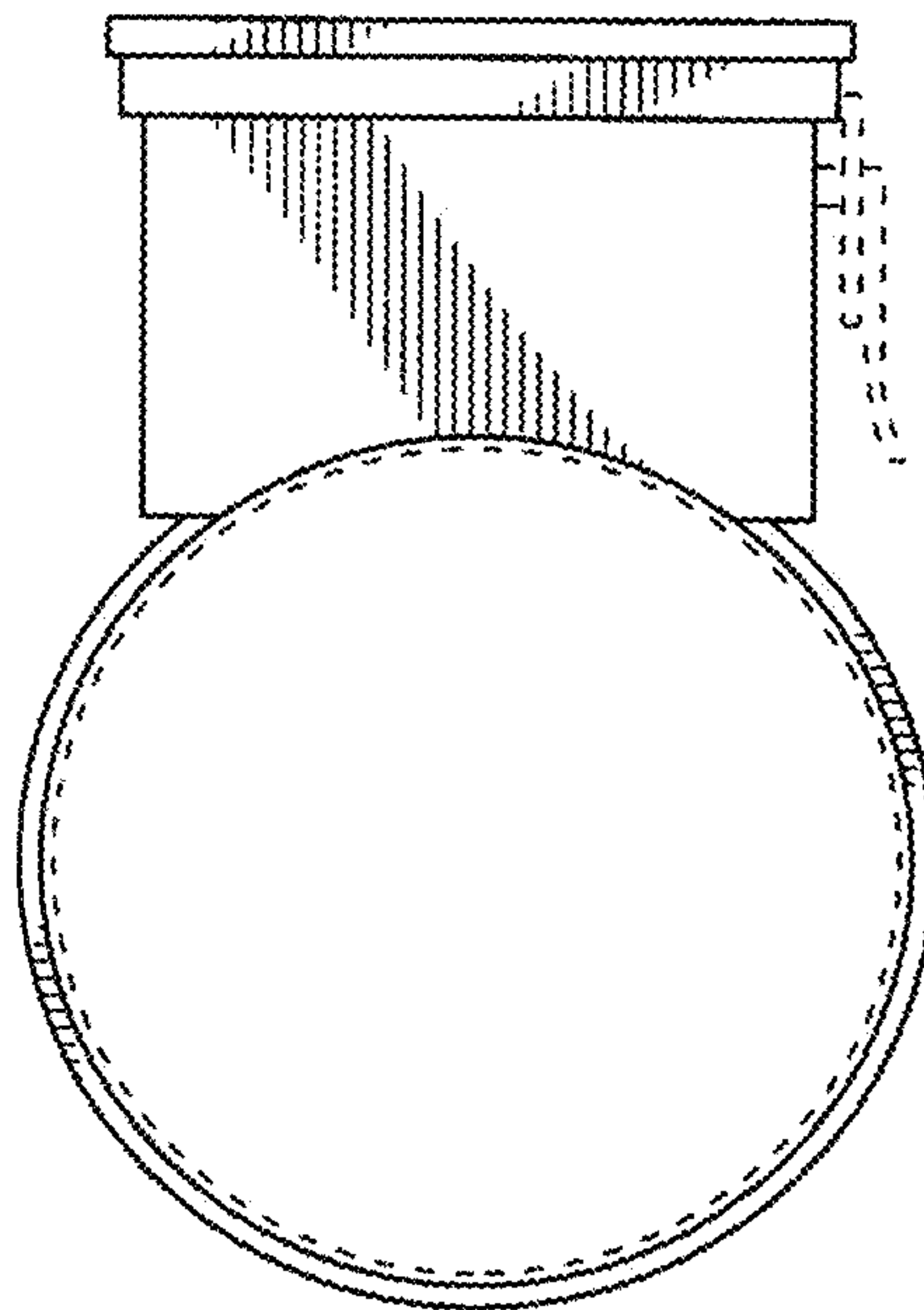
**FIG. 4**



**FIG. 5**



**FIG. 6**



**FIG. 7**