



US00D944307S

(12) **United States Design Patent**
Xu

(10) **Patent No.:** **US D944,307 S**

(45) **Date of Patent:** **** Feb. 22, 2022**

(54) **CAMERA**

(71) Applicant: **Shenzhen Shamolang Technology Co., Ltd.**, Shenzhen (CN)

(72) Inventor: **Tao Xu**, Shenzhen (CN)

(**) Term: **15 Years**

(21) Appl. No.: **29/735,579**

(22) Filed: **May 22, 2020**

(51) **LOC (13) Cl.** **16-01**

(52) **U.S. Cl.**
USPC **D16/202**

(58) **Field of Classification Search**
USPC D16/202, 200, 206, 208, 217, 218, 219
CPC G03B 15/03; G03B 17/02; G03B 13/02;
G03B 2219/02; H04N 5/2251; H04N
5/2252; H04N 5/2253; H04N 5/2254;
H04N 5/22525; H04N 5/23216; H04N
5/232939; H04N 2101/00

See application file for complete search history.

(56) **References Cited**

U.S. PATENT DOCUMENTS

D487,103 S	*	2/2004	Chin	D16/202
D755,874 S	*	5/2016	Yang	D16/202
D904,482 S	*	12/2020	Hoffman	D16/202
D910,105 S	*	2/2021	Lin	D16/202

OTHER PUBLICATIONS

“Kids Camera Toddler Boys Girls—PROGRACE Selfie 12M Front and Rear Dual Cameras Kids Video Camera”, Amazon.com, first retrieved on Nov. 12, 2021 retrieved from the internet: [https://www.amazon.com/PROGRACE-Toddler-Handheld-Consoles-Children/dp/B088LN5BWC?th=1] (Year: 2021).*

* cited by examiner

Primary Examiner — Rosemary K Tarcza
Assistant Examiner — Lacey Chey Bowman

(57) **CLAIM**

The ornamental design for a camera, as shown and described.

DESCRIPTION

FIG. 1 is a first perspective view of a camera showing my new design;
FIG. 2 is a second perspective view thereof;
FIG. 3 is a front view thereof;
FIG. 4 is a back view thereof;
FIG. 5 is a left side view thereof;
FIG. 6 is a right side view thereof;
FIG. 7 is a top view thereof; and,
FIG. 8 is a bottom view thereof.

The broken lines shown in the drawings depict portions of the camera in which the design is embodied that form no part of the claimed design.

1 Claim, 8 Drawing Sheets

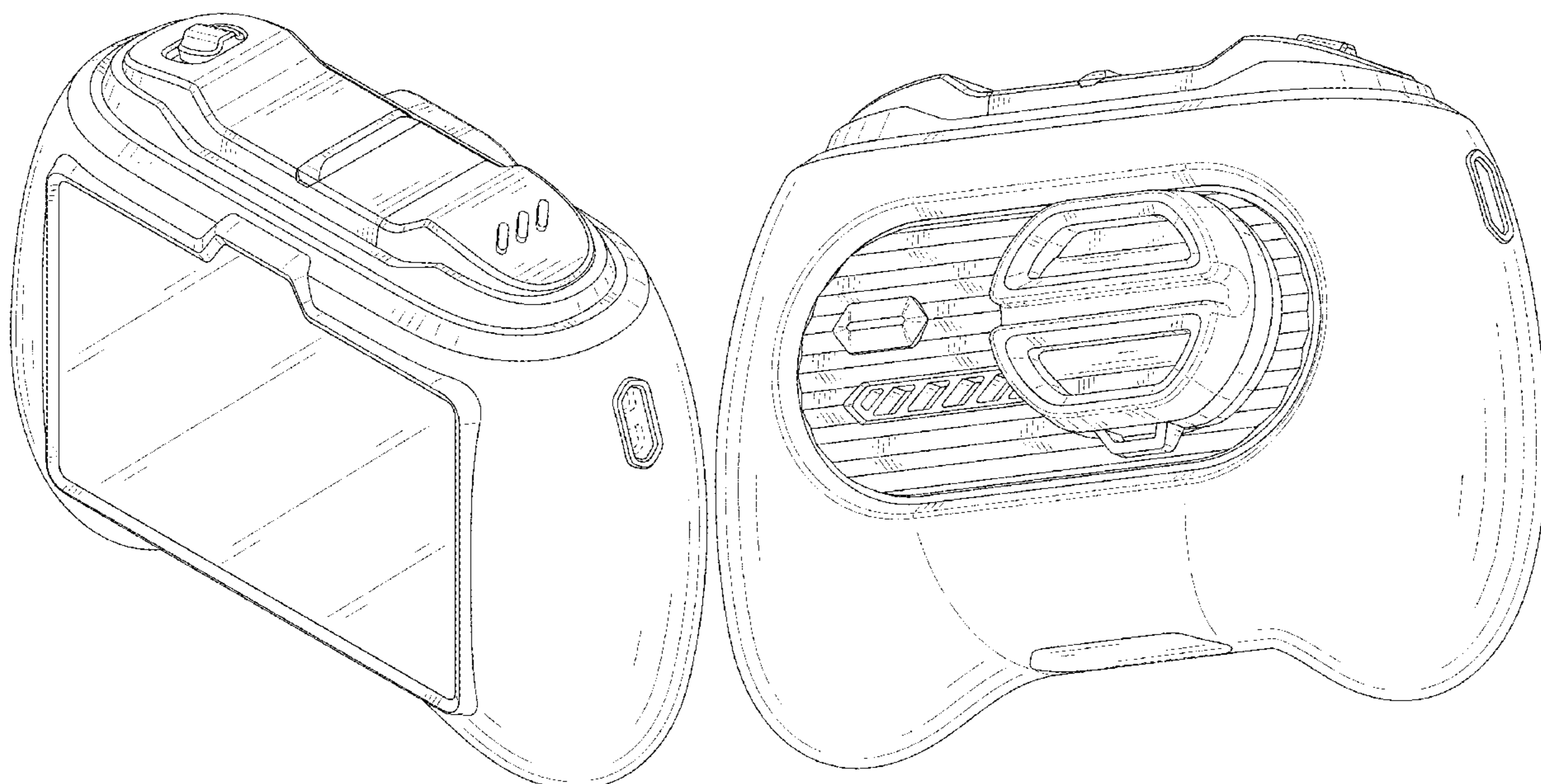




FIG. 1

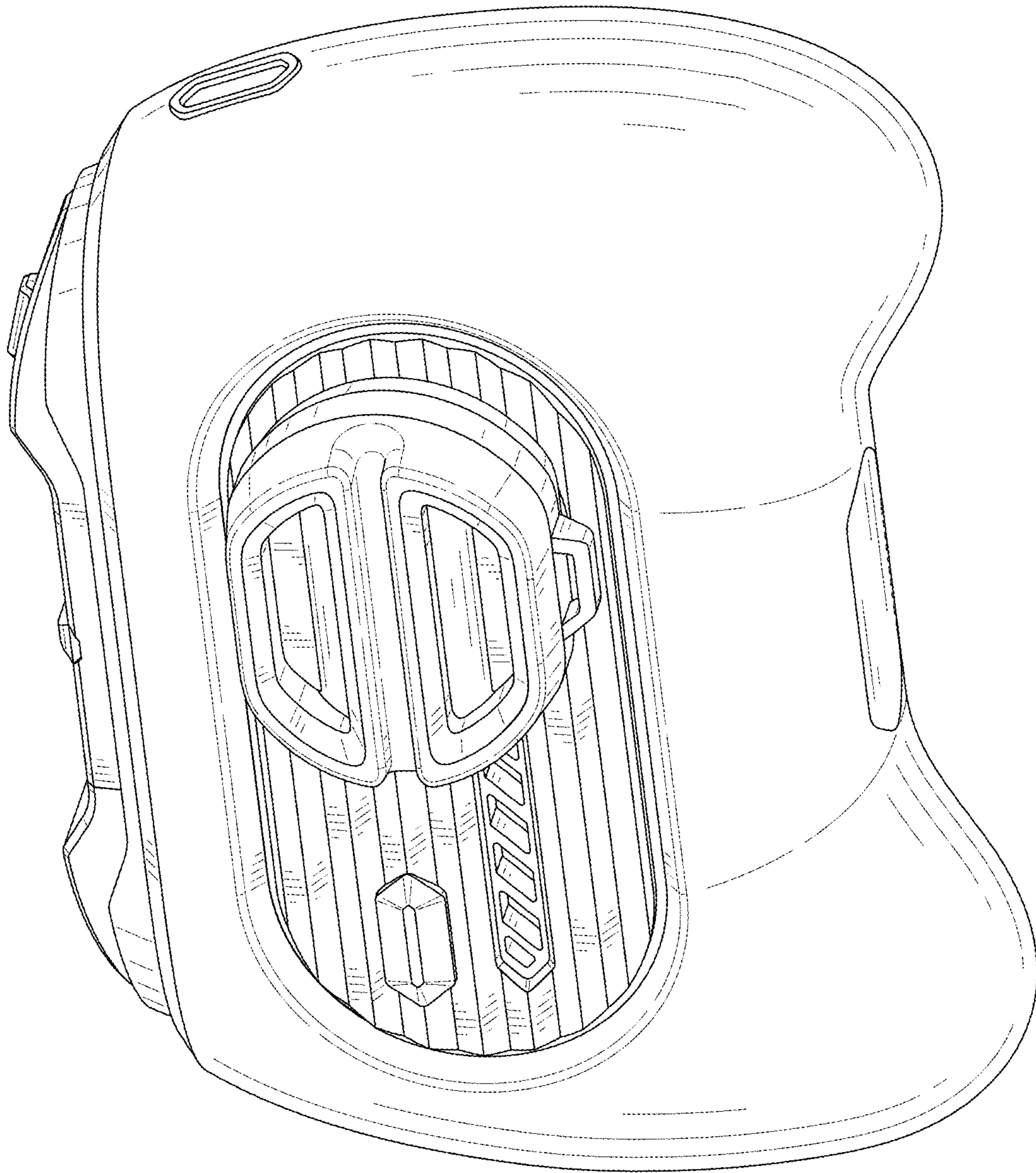


FIG. 2

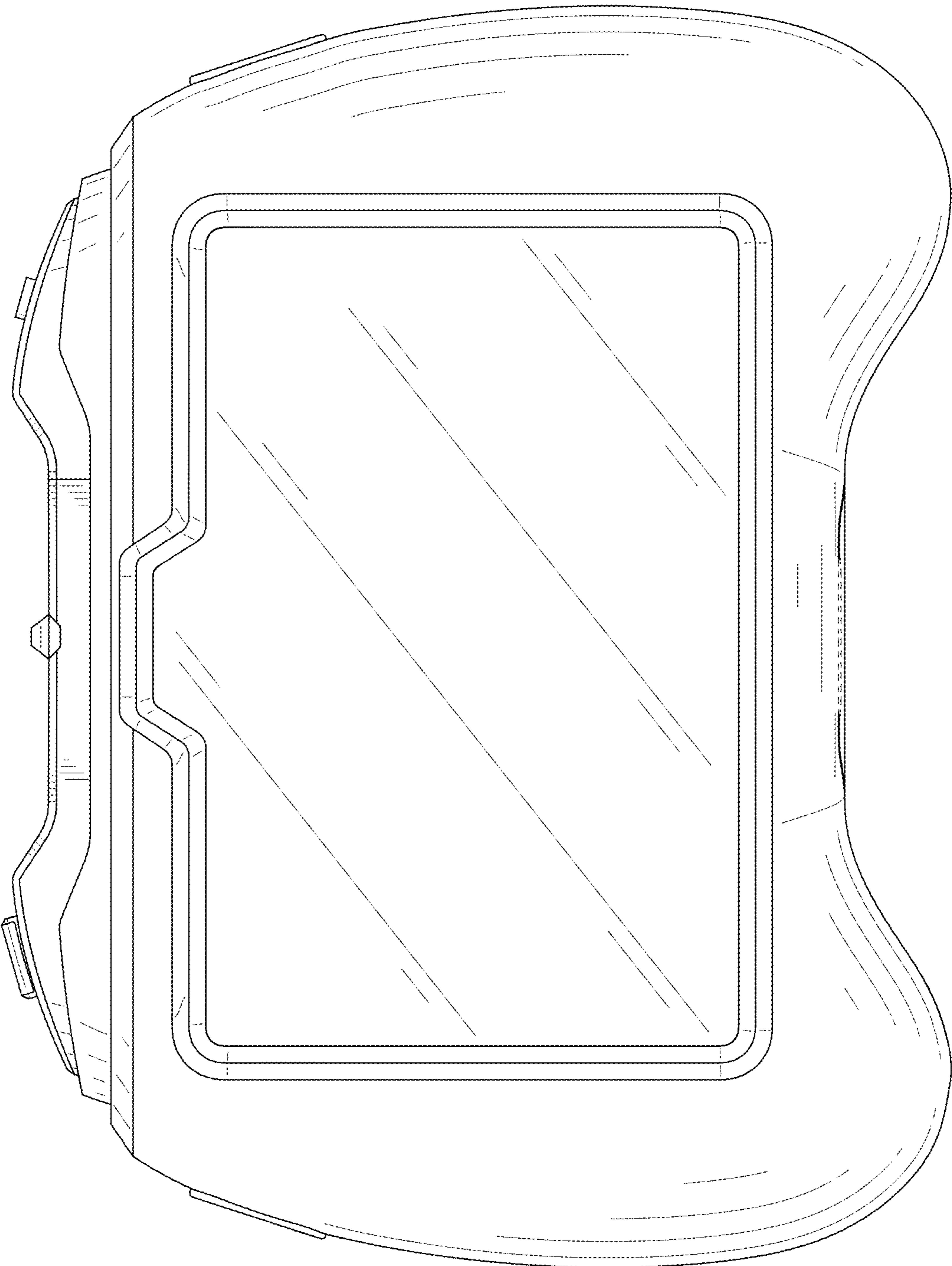


FIG. 3

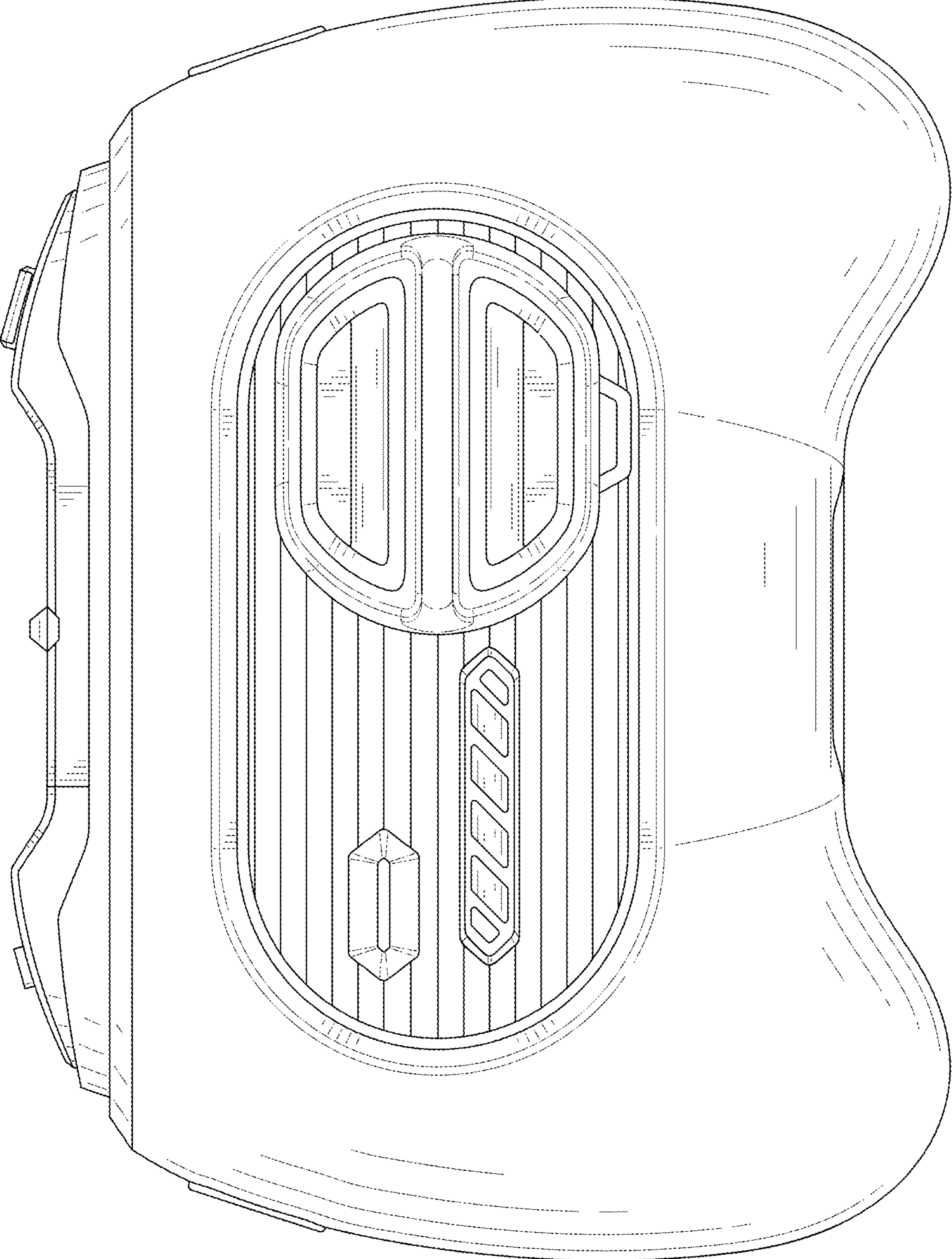


FIG. 4

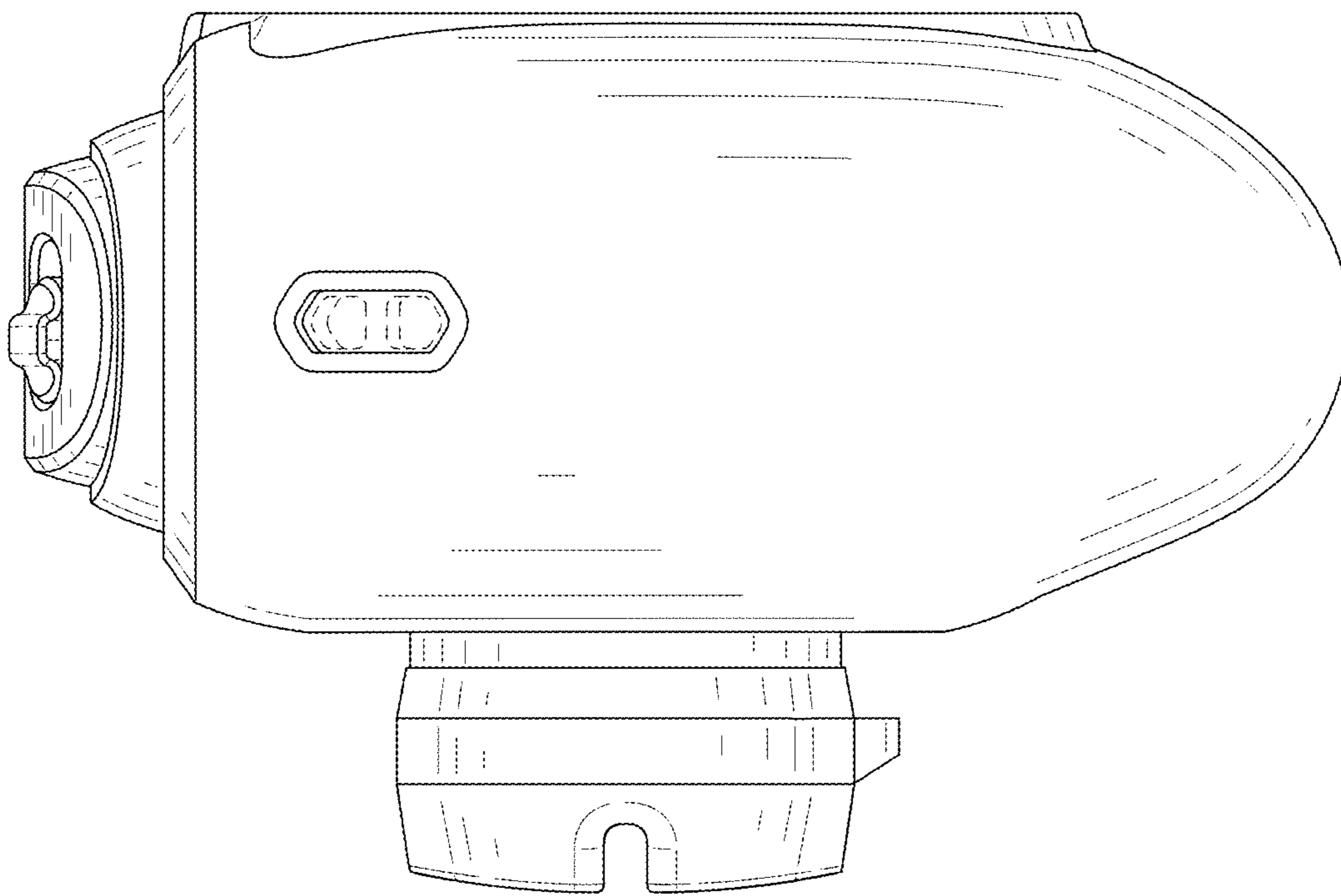


FIG. 5

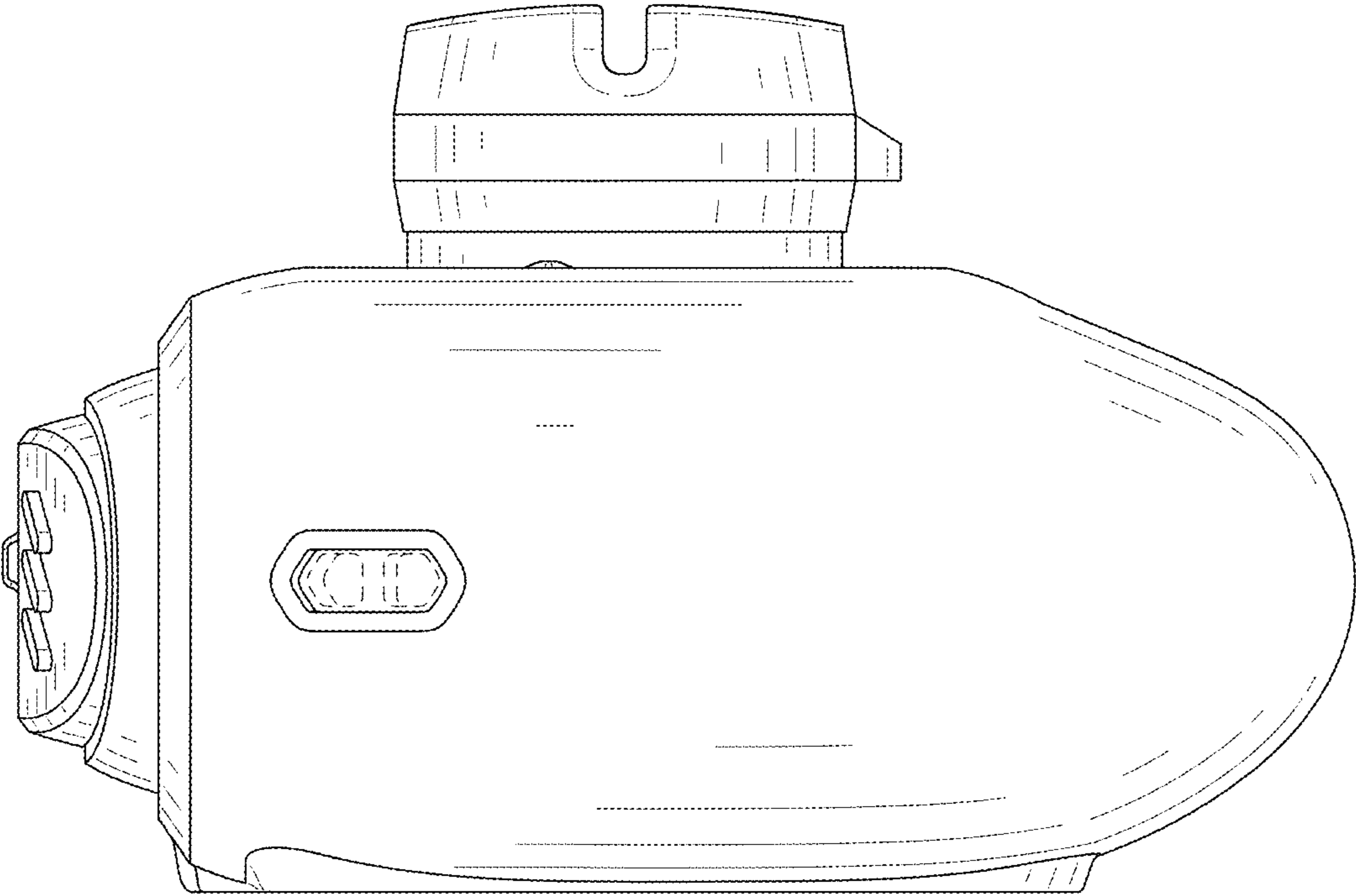


FIG. 6

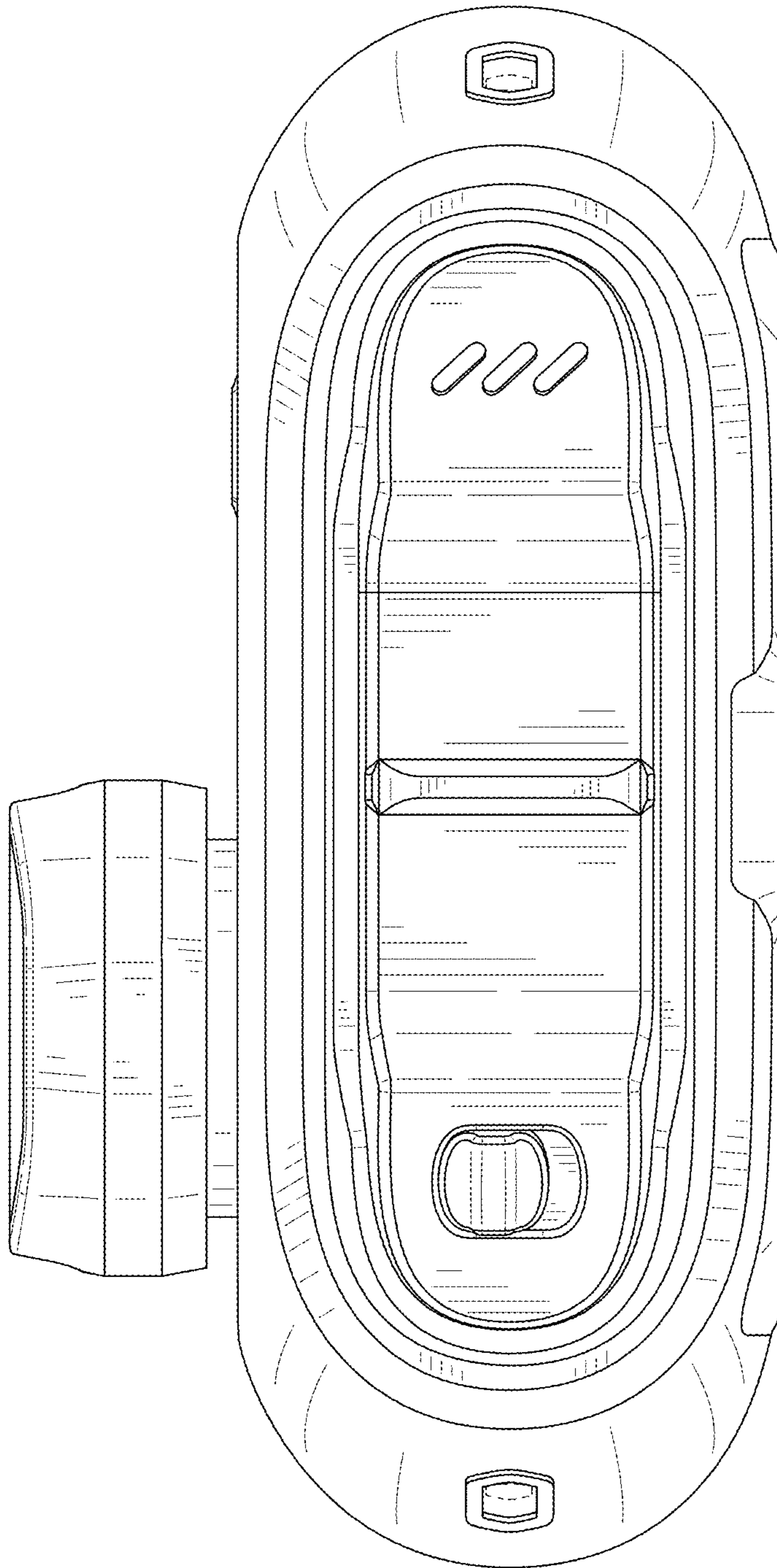


FIG. 7

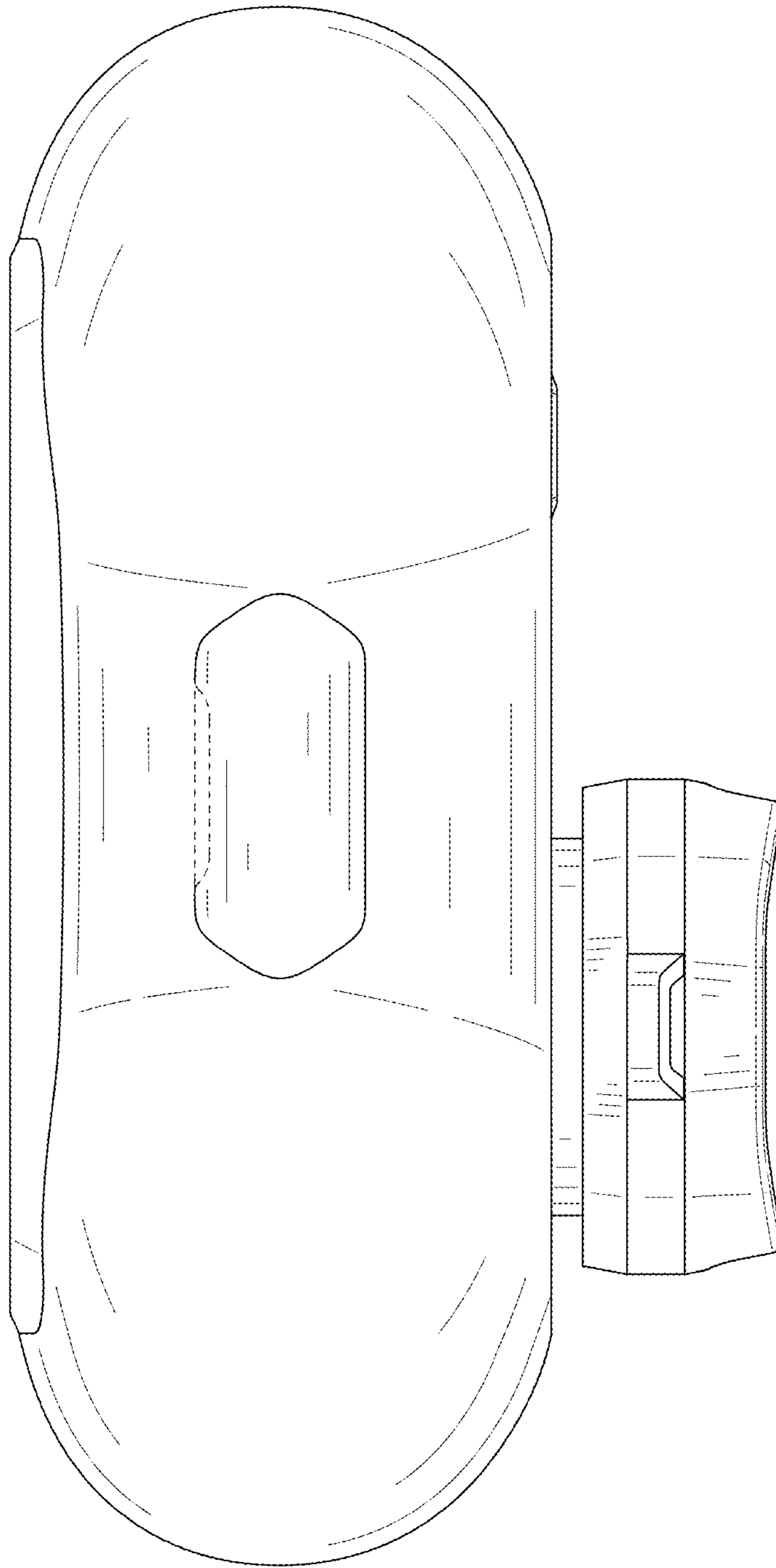


FIG. 8