



US00D944306S

(12) **United States Design Patent**
Wang

(10) **Patent No.:** **US D944,306 S**

(45) **Date of Patent:** **** Feb. 22, 2022**

(54) **SCREEN MAGNIFIER FOR SMARTPHONE**

(71) Applicant: **Shunna Wang**, Shantou (CN)

(72) Inventor: **Shunna Wang**, Shantou (CN)

(**) Term: **15 Years**

(21) Appl. No.: **29/715,221**

(22) Filed: **Nov. 29, 2019**

(51) **LOC (13) Cl.** **16-06**

(52) **U.S. Cl.**
USPC **D16/135**

(58) **Field of Classification Search**
USPC D10/70, 109.1, 109.2; D16/134, 130,
D16/131, 132, 135, 136, 202-208, 245,
D16/219; D24/120, 113, 118, 119, 121,
D24/122, 124, 125, 128

CPC ... G01C 3/00; G01C 3/02; G01C 3/04; G01C
3/06; G01C 3/08; G01C 3/085; G01C
3/10; G01C 3/12; G01C 3/16; G01C
3/18; G01C 3/20; G01C 3/22; G01C
3/24; G01C 3/26; G01C 3/28; G01C
3/30; G01C 3/32; B60Q 1/04; B60Q
1/26; F21S 8/026; F21S 8/04; F21V
29/004; F21V 21/02; F21V 21/04; F21V
29/2212; F21Y 2101/02; G02B 27/026;
G02B 23/16; G02B 2003/0093; G02B
3/04; H04J 11/00; H04J 13/00; E06B
9/24; G03B 17/02; C03B 2215/46

See application file for complete search history.

(56) **References Cited**

U.S. PATENT DOCUMENTS

D502,199 S * 2/2005 Imai D16/200
D613,782 S * 4/2010 Lager D16/135
D629,433 S * 12/2010 Holland D16/135
D633,541 S * 3/2011 Khubani D16/135

D658,697 S * 5/2012 Jim D16/135
D668,700 S * 10/2012 Jim D16/135
D776,736 S * 1/2017 Aquino D16/135
D820,987 S * 6/2018 Tam D24/163
D884,045 S * 5/2020 Lin D16/135
D887,470 S * 6/2020 Gelesz D16/130
D894,989 S * 9/2020 Hong D16/135
D901,568 S * 11/2020 Huang D16/135
2014/0247600 A1* 9/2014 Tanahashi H01L 51/524
362/307

* cited by examiner

Primary Examiner — Nathaniel D. Buckner

Assistant Examiner — Benjamin M Weeks

(74) *Attorney, Agent, or Firm* — W&KIP

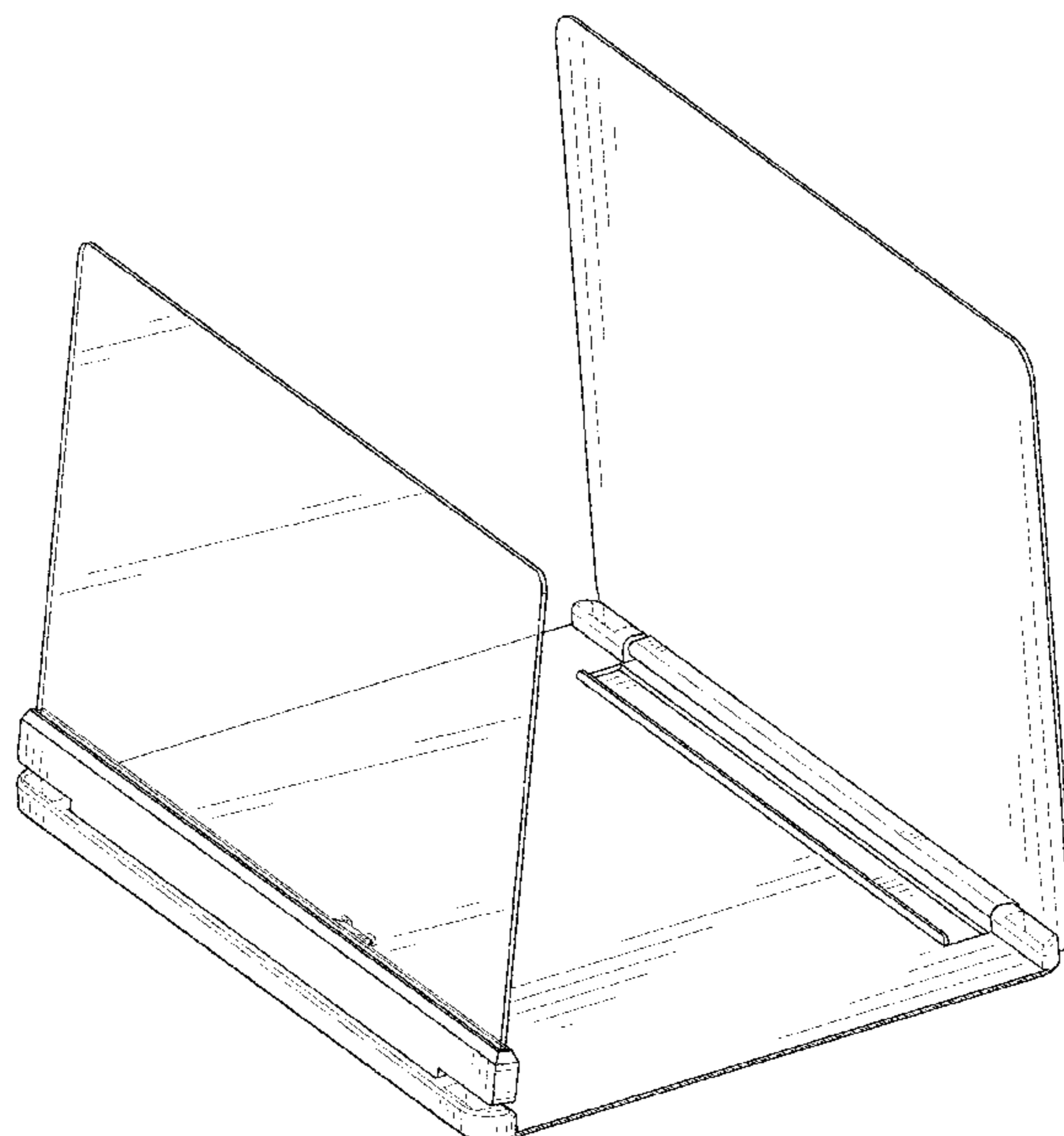
(57) **CLAIM**

The ornamental design for a screen magnifier for smart-
phone, as shown and described.

DESCRIPTION

FIG. 1 is a front and top perspective view of a screen magnifier for smartphone, showing my new design;
FIG. 2 is a rear and top perspective view thereof;
FIG. 3 is a front elevational view thereof;
FIG. 4 is a rear elevational view thereof;
FIG. 5 is a left side elevational view thereof;
FIG. 6 is a right side elevational view thereof;
FIG. 7 is a top plan view thereof;
FIG. 8 is a bottom plan view thereof;
FIG. 9 is a perspective view of the screen magnifier for smartphone in a folded position;
FIG. 10 is a perspective view of a screen magnifier for a smartphone; and,
FIG. 11 is an enlarged view of a portion indicated in FIG. 2.
The broken lines in the figures depict portions of the screen magnifier for smartphone and environmental subject matter that form no part of the claimed design.

1 Claim, 11 Drawing Sheets



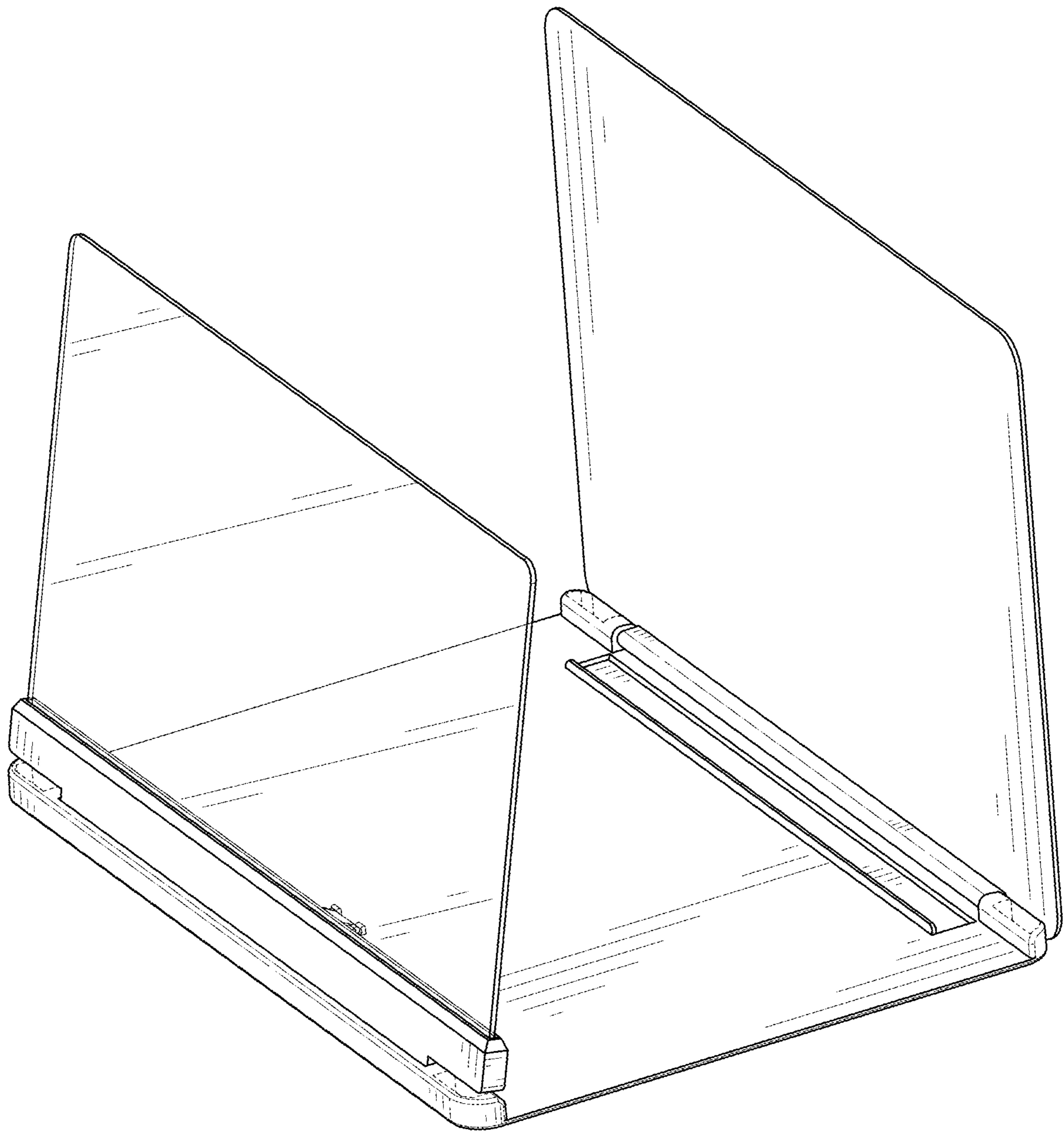


FIG. 1

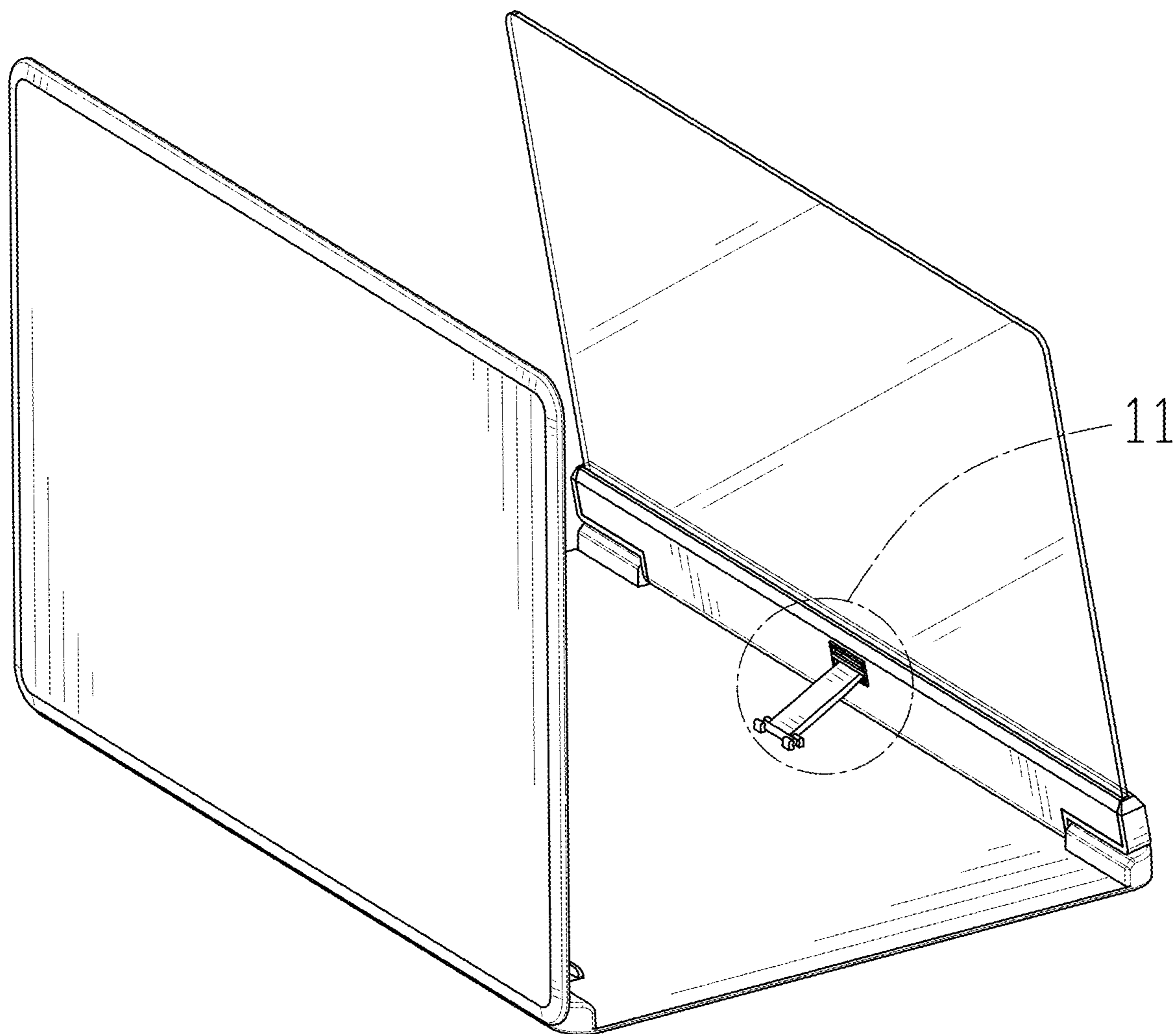


FIG. 2

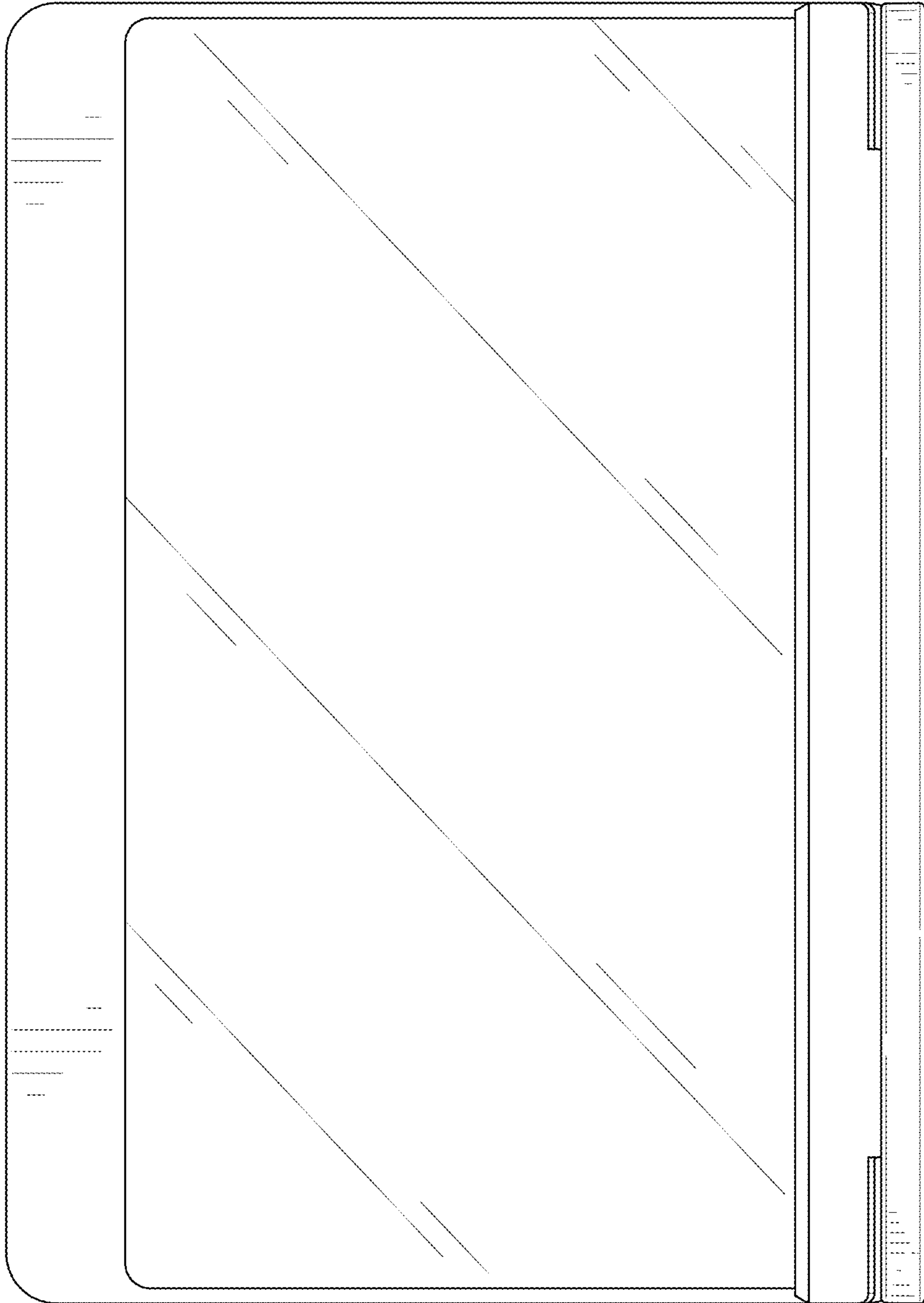


FIG. 3

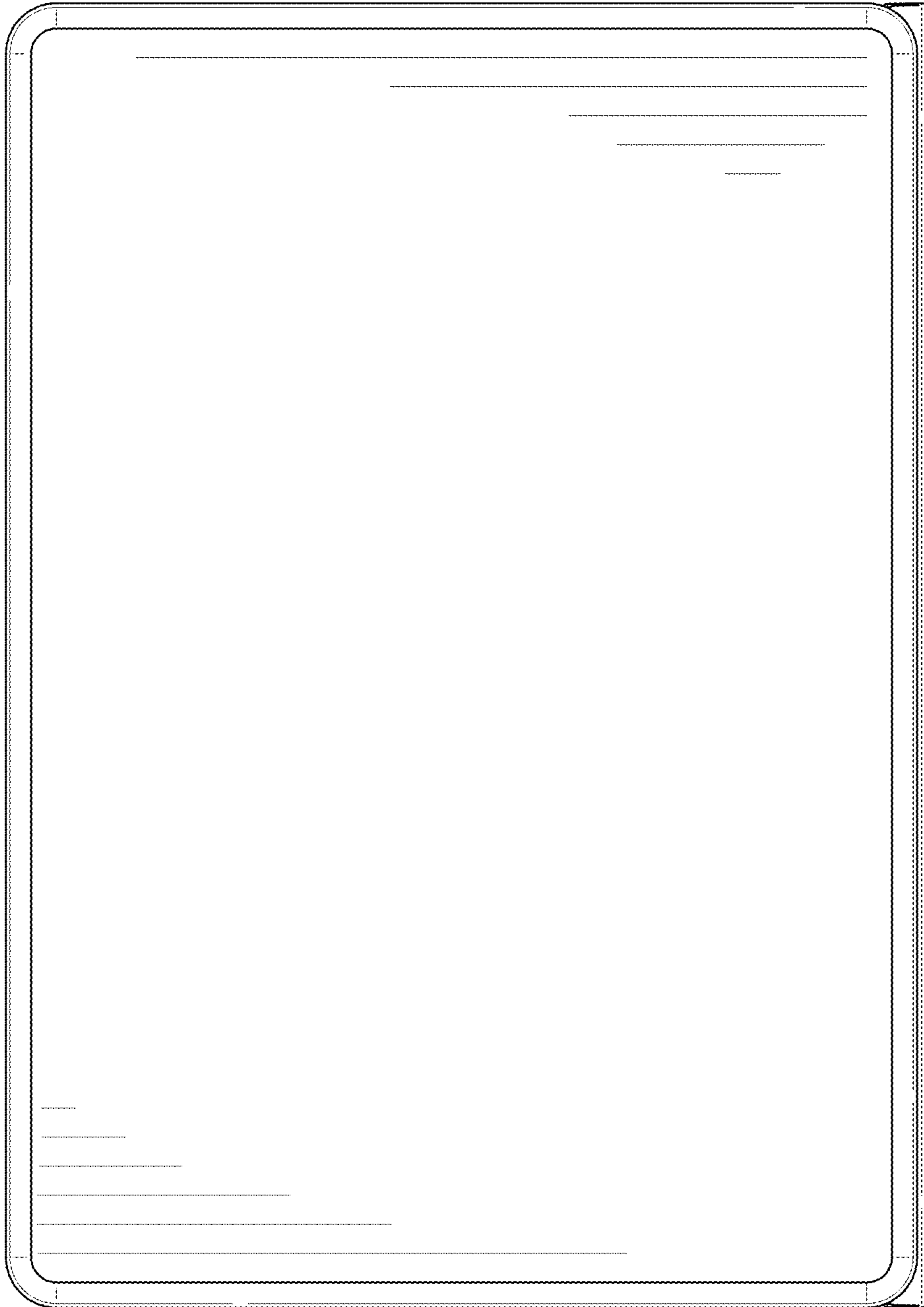


FIG. 4

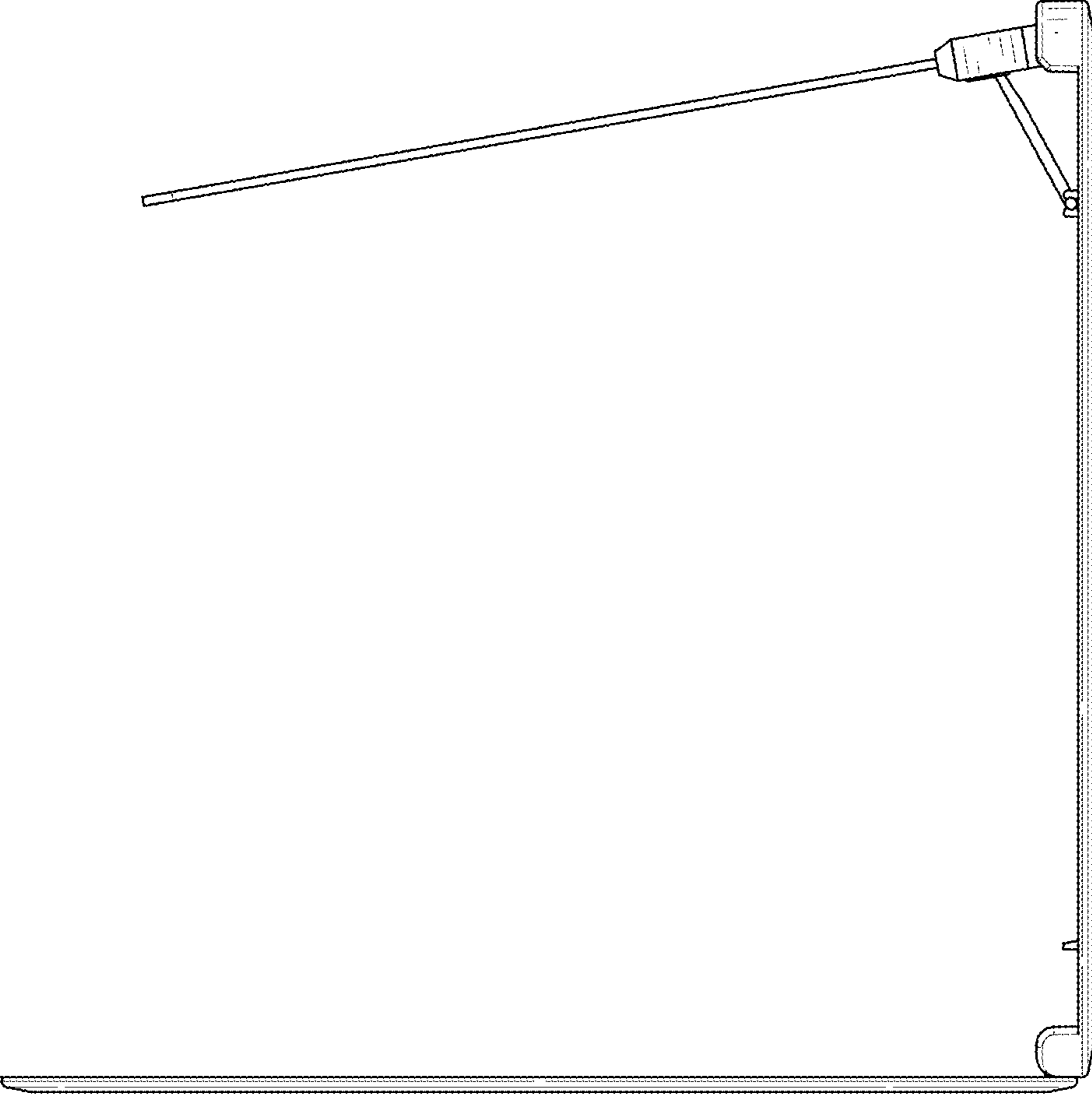


FIG. 5

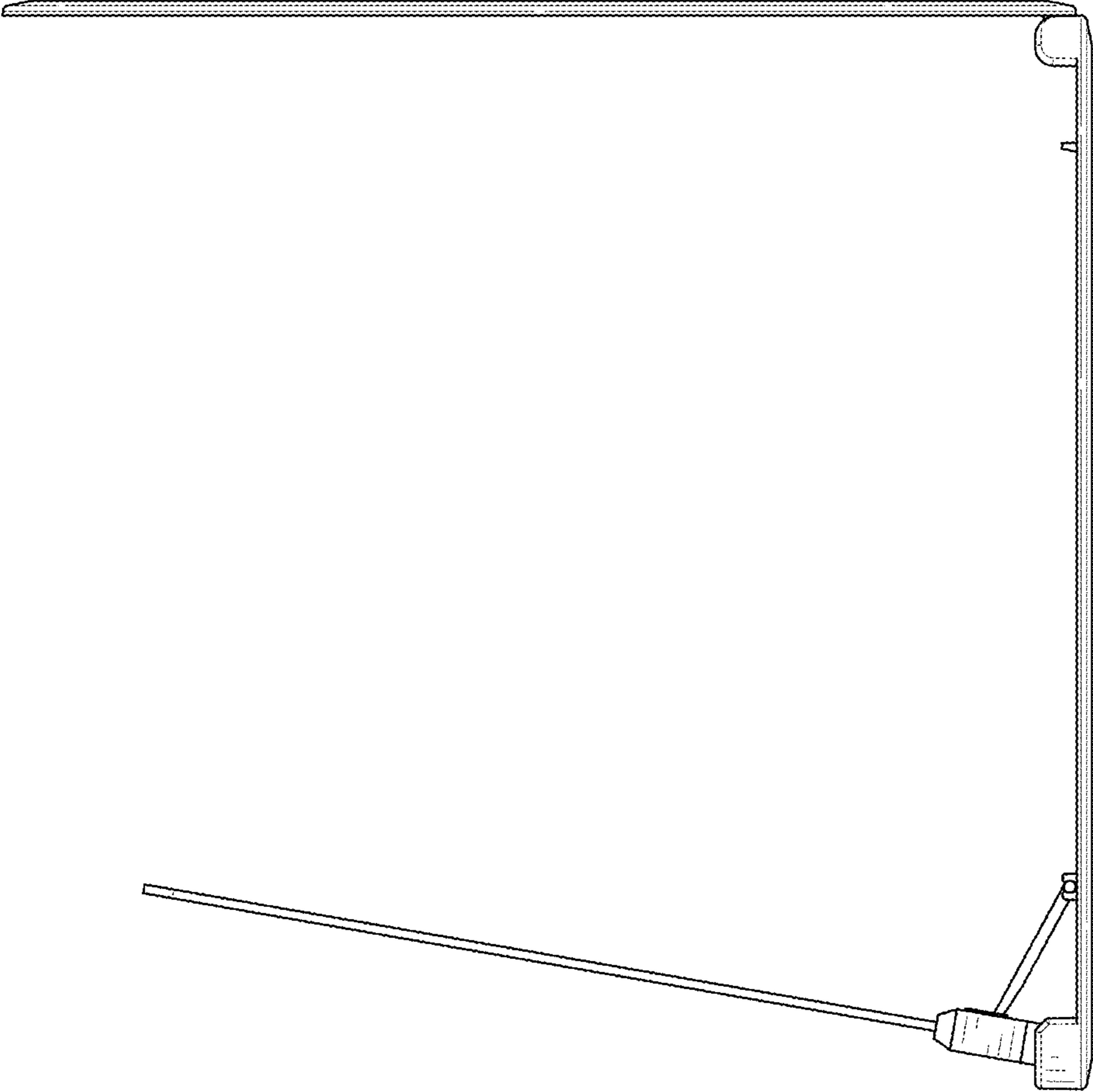


FIG. 6

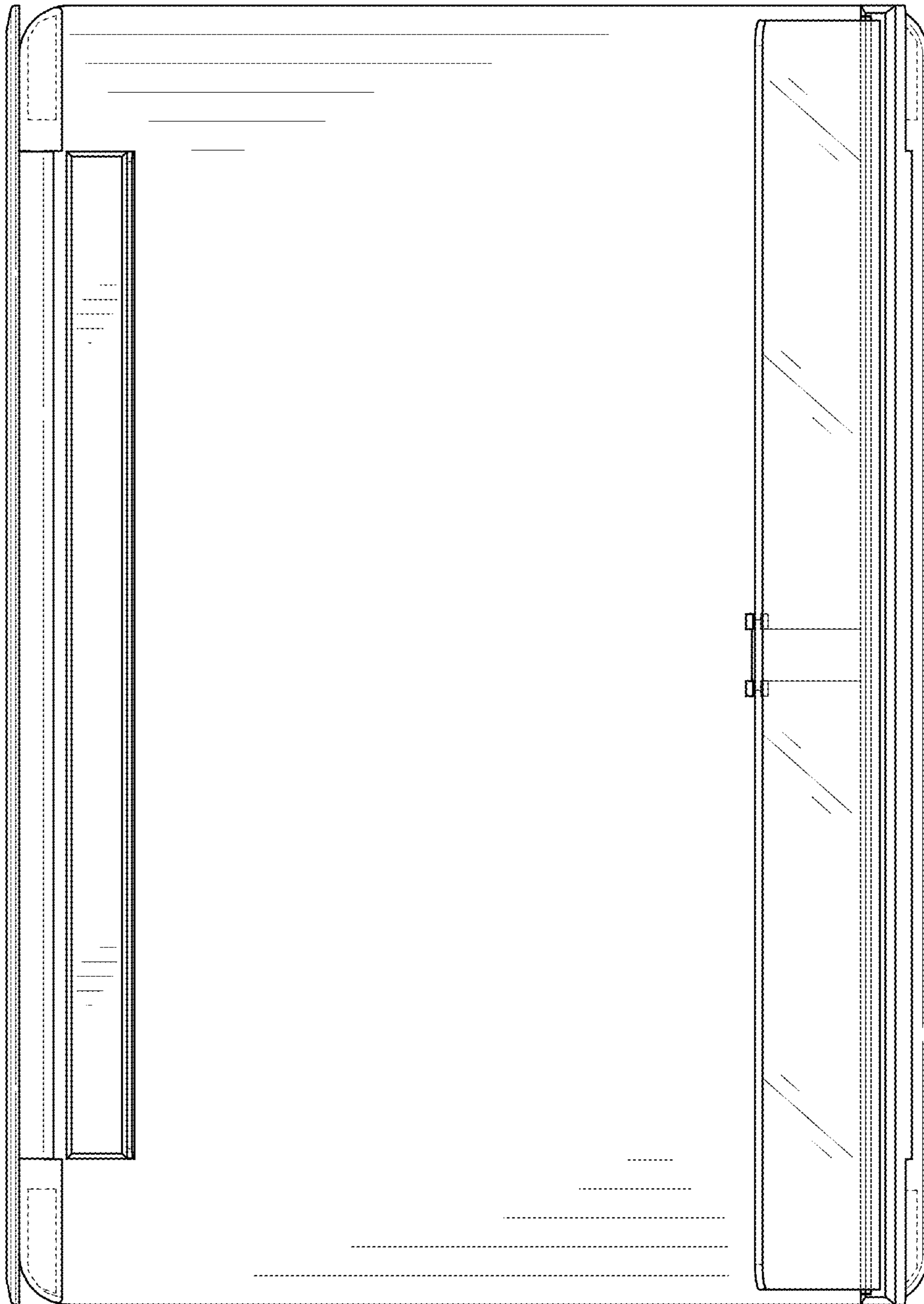


FIG. 7

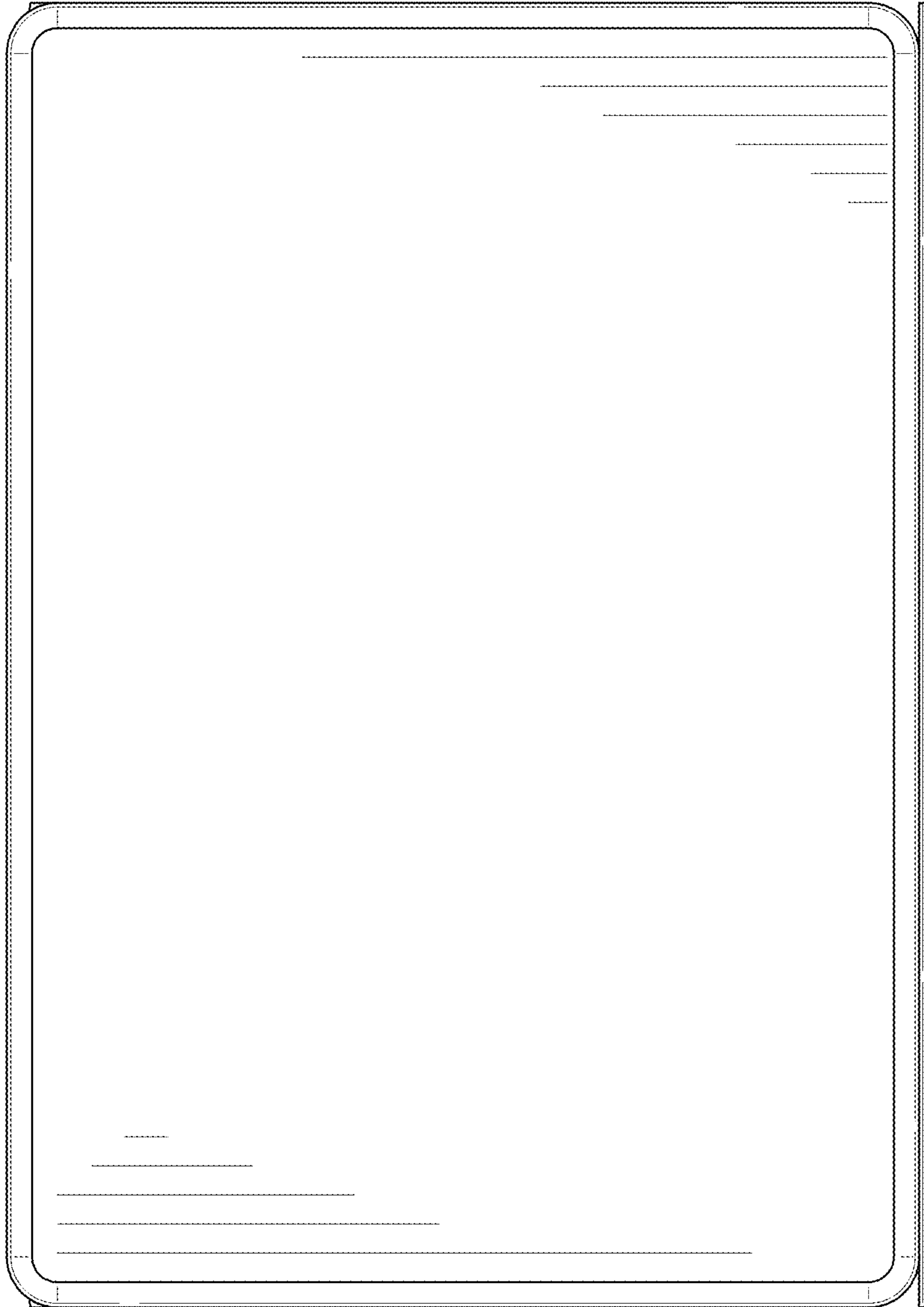


FIG. 8

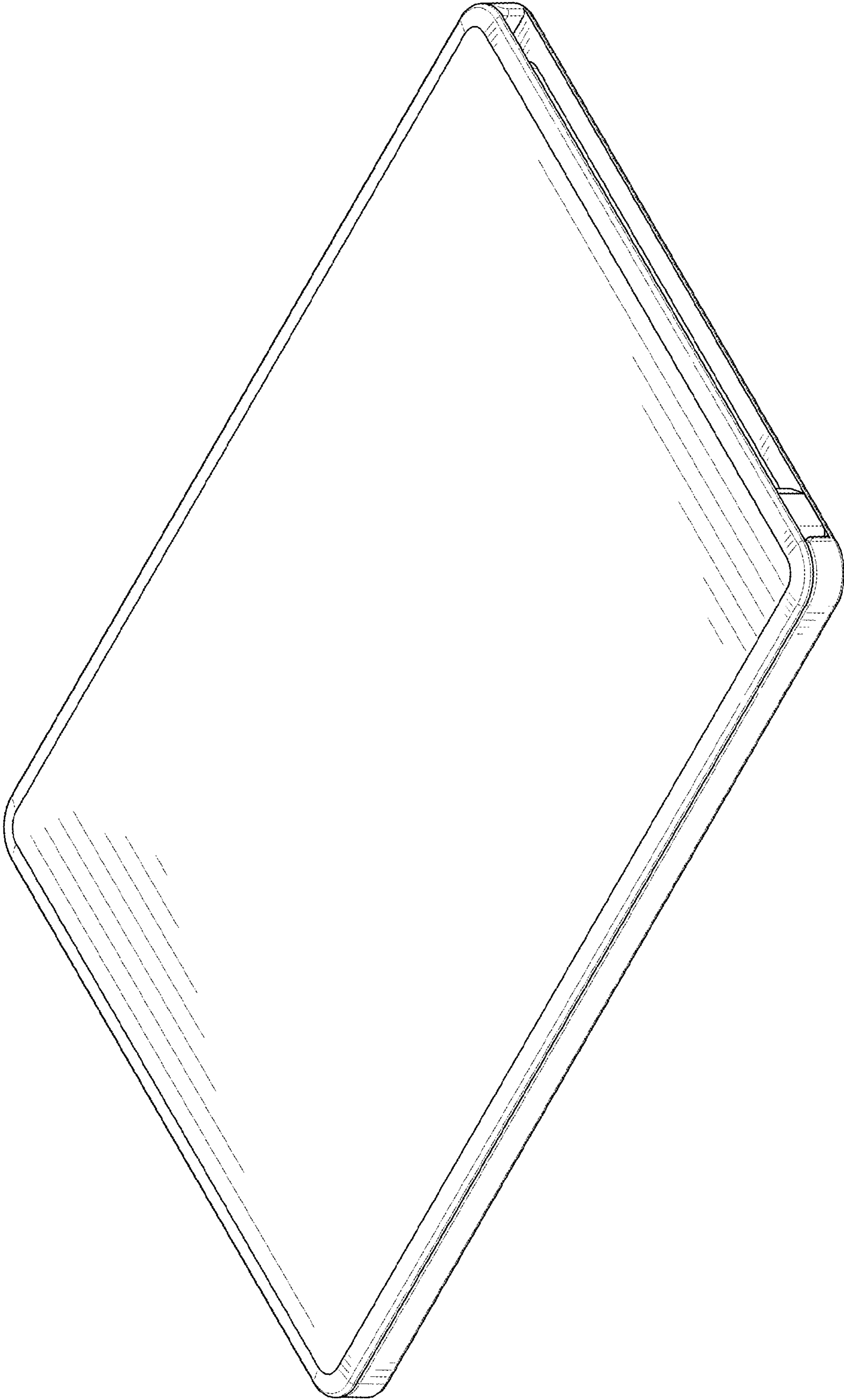


FIG. 9

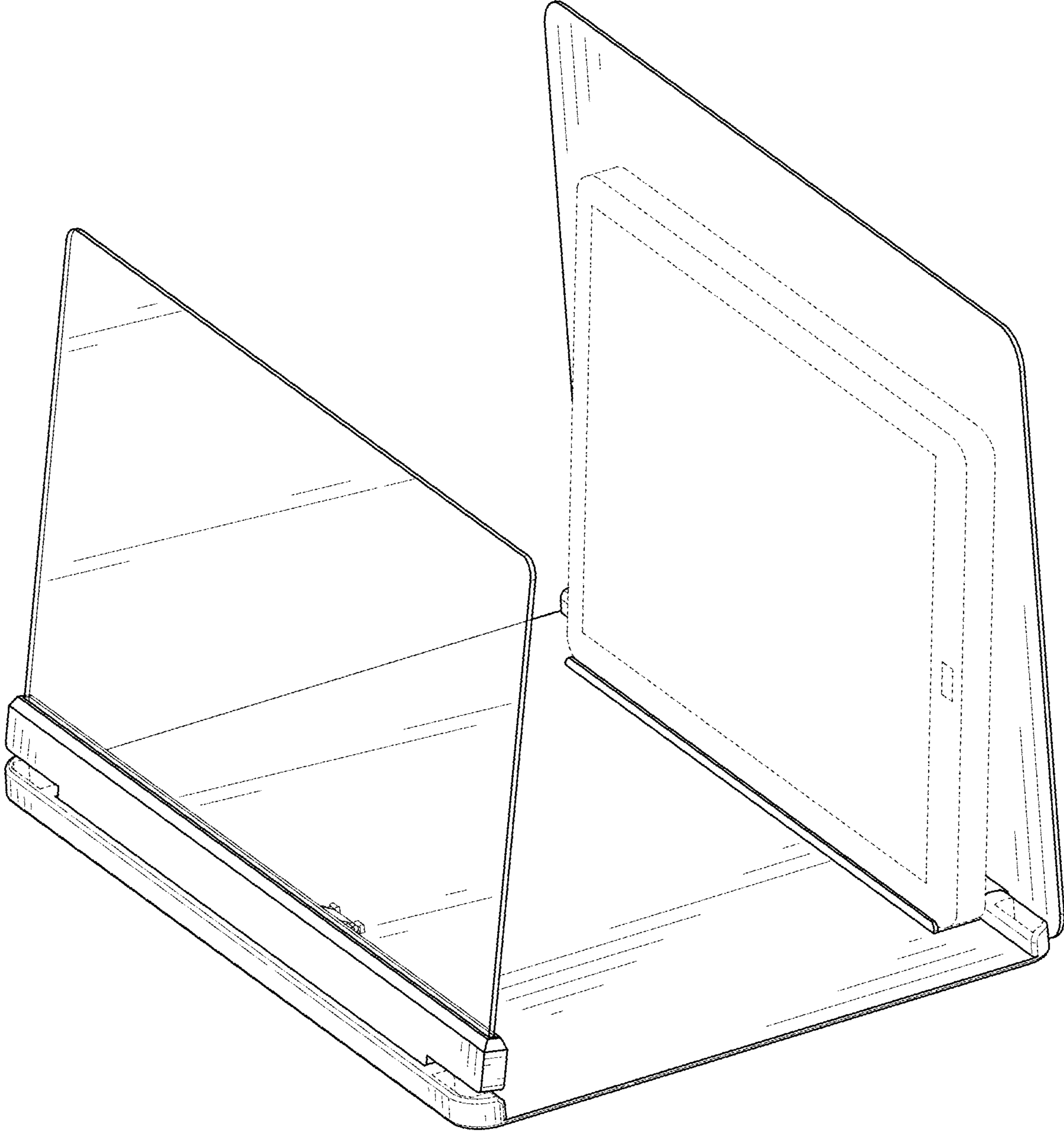


FIG. 10

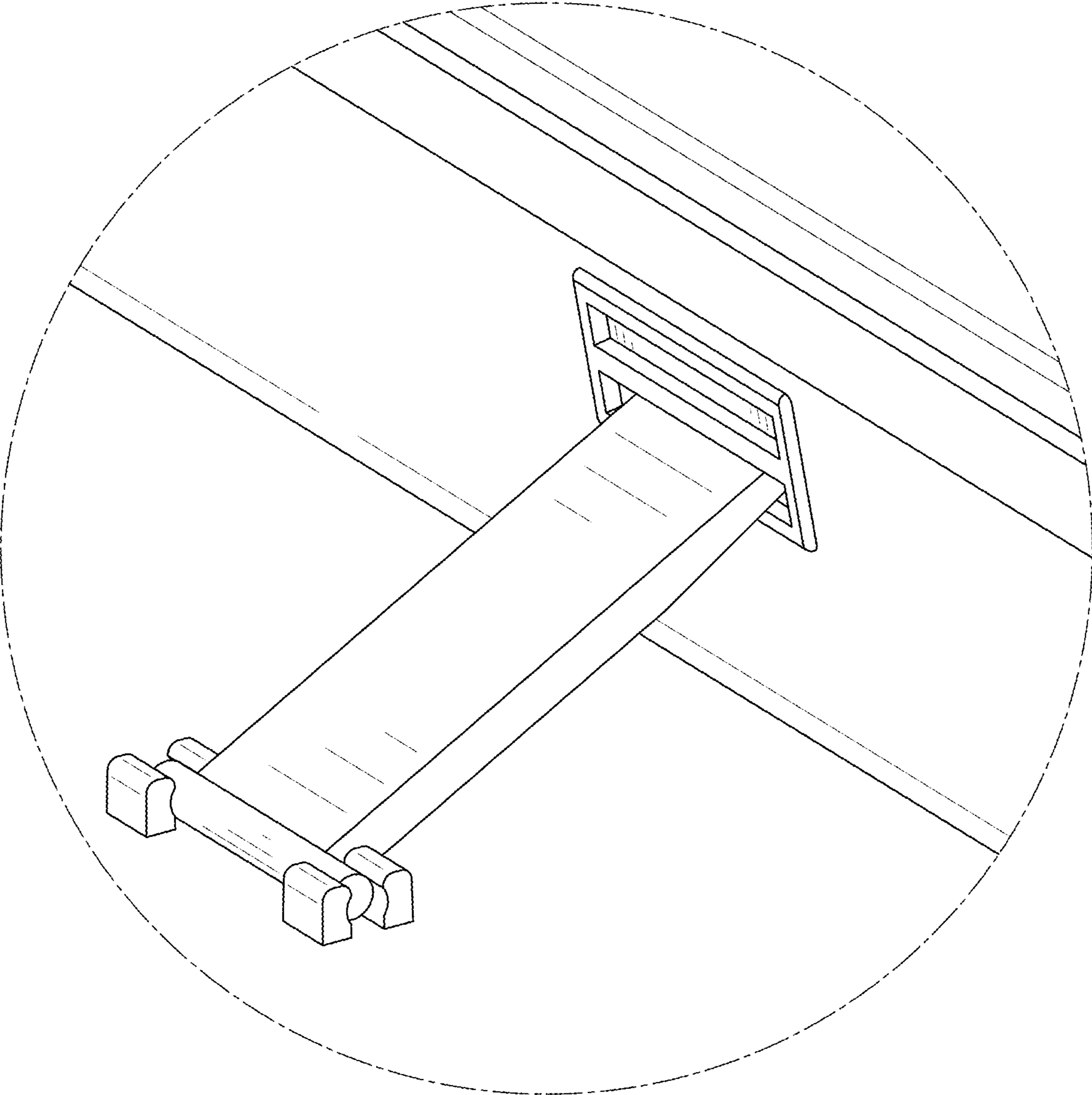


FIG. 11