



US00D944305S

(12) **United States Design Patent**
Liu et al.

(10) **Patent No.:** **US D944,305 S**

(45) **Date of Patent:** **** Feb. 22, 2022**

(54) **DELIVERY ROBOT**

Primary Examiner — Mojtaba Tehrani

(71) Applicant: **Ninebot (Beijing) Tech Co., Ltd.**,
Beijing (CN)

(57) **CLAIM**

The ornamental design for a delivery robot, as shown and described.

(72) Inventors: **Chaozong Liu**, Beijing (CN); **Yue Yang**, Beijing (CN); **Chunyang Sun**, Beijing (CN)

DESCRIPTION

(**) Term: **15 Years**

6.-10. Delivery robot

(21) Appl. No.: **35/511,055**

6.1 : Front

(22) Filed: **Jun. 30, 2020**

6.2 : Back

(80) **Hague Agreement Data**

Int. Filing Date: **Jun. 30, 2020**

Int. Reg. No.: **DM/210549**

Int. Reg. Date: **Jun. 30, 2020**

Int. Reg. Pub. Date: **Jan. 1, 2021**

6.3 : Left

6.4 : Right

6.5 : Top

6.6 : Perspective

6.7 : Perspective

7.1 : Front

7.2 : Back

7.3 : Left

7.4 : Right

7.5 : Top

7.6 : Perspective

7.7 : Perspective

(30) **Foreign Application Priority Data**

Dec. 31, 2019 (CN) 201930748623.0

Dec. 31, 2019 (CN) 201930749971.X

(51) **LOC (13) Cl.** **15-99**

(52) **U.S. Cl.**

USPC **D15/199**

(58) **Field of Classification Search**

USPC D15/199; D21/578-583; D32/21;
D34/34

CPC B65G 1/04; B23Q 7/1442; B66F 9/063;
G06Q 10/0832

See application file for complete search history.

8.1 : Front

8.2 : Back

8.3 : Perspective

8.4 : Perspective

9.1 : Front

9.2 : Back

9.3 : Left

9.4 : Right

9.5 : Top

9.6 : Perspective

9.7 : Perspective

(56) **References Cited**

U.S. PATENT DOCUMENTS

D644,256 S * 8/2011 Kitano D15/199

D701,256 S * 3/2014 Song D15/199

D869,533 S * 12/2019 Kim D15/199

D870,787 S * 12/2019 Kim D15/199

D870,788 S * 12/2019 Kim D15/199

10.1 : Front

10.2 : Back

10.3 : Left

10.4 : Right

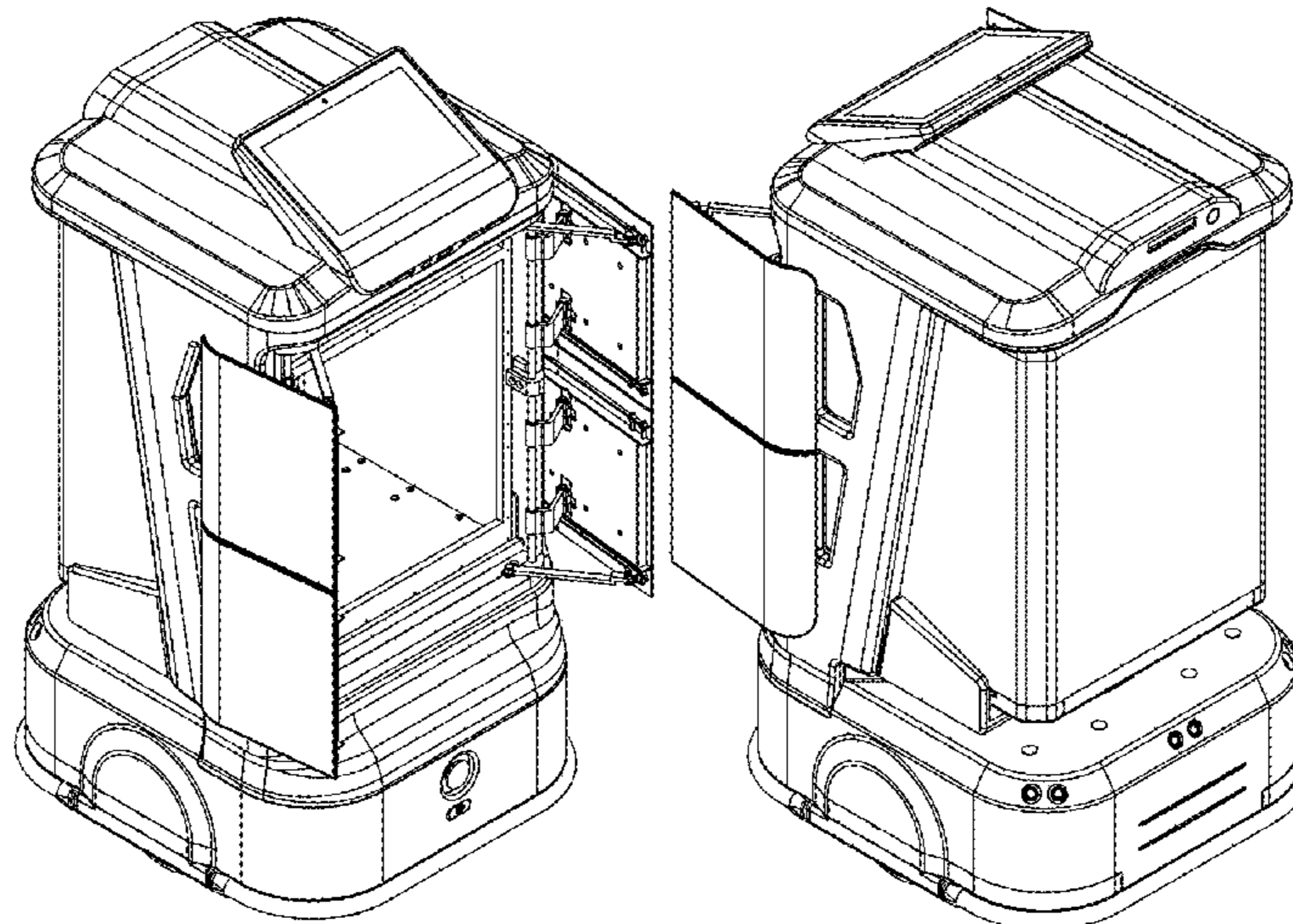
10.5 : Top

10.6 : Perspective

10.7 : Perspective

(Continued)

1 Claim, 32 Drawing Sheets



(56)

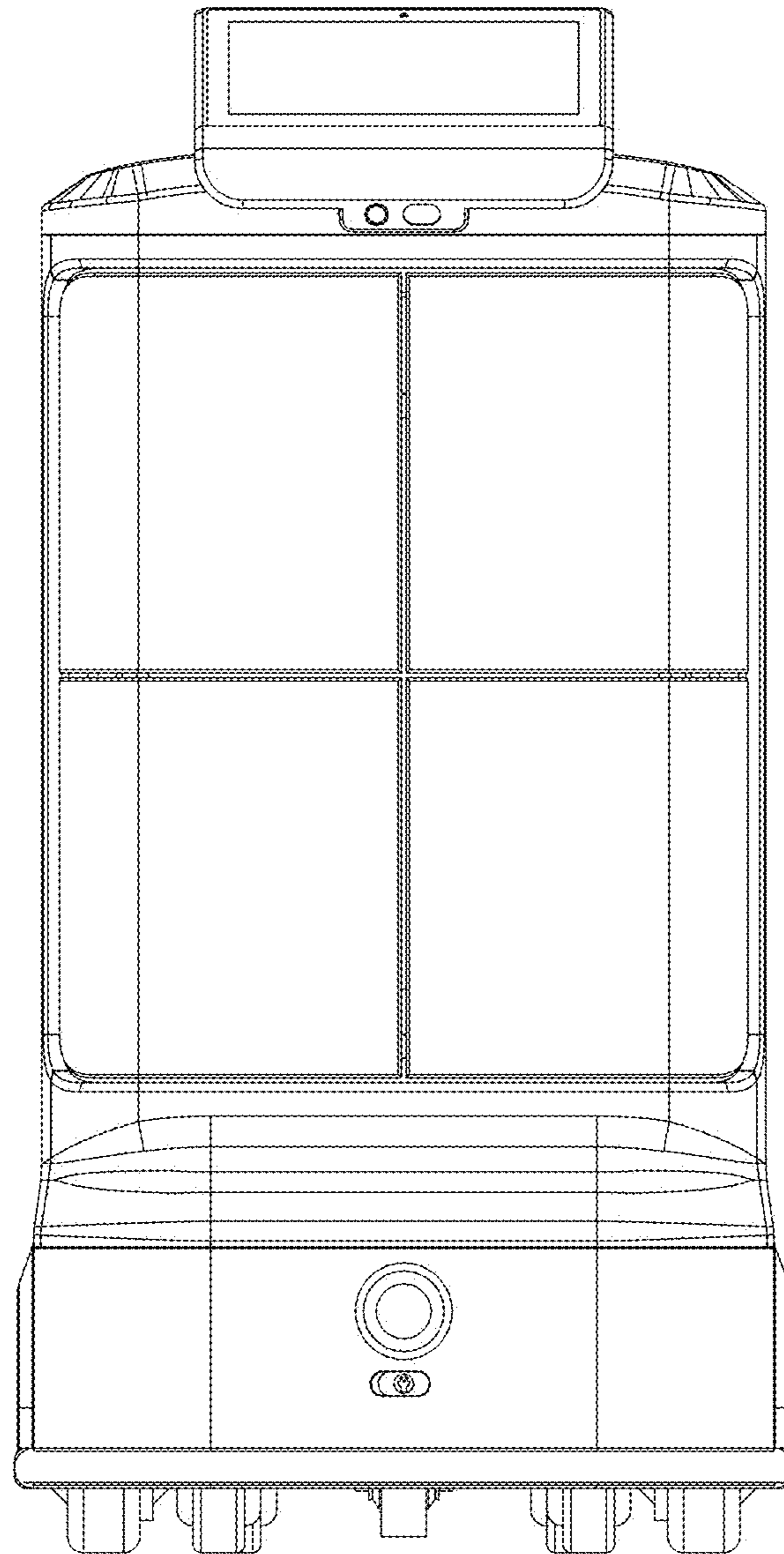
References Cited

U.S. PATENT DOCUMENTS

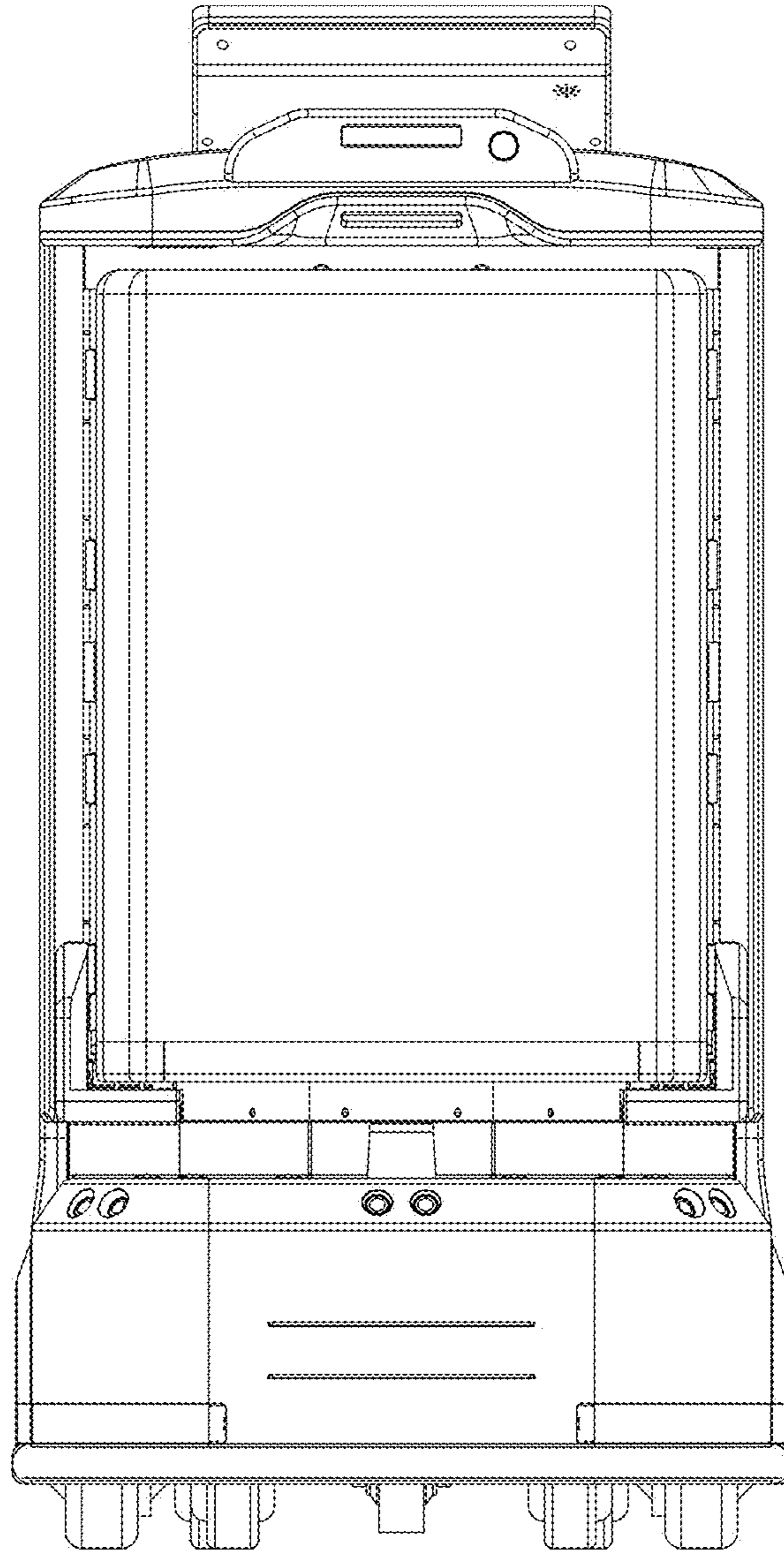
D871,474 S	*	12/2019	Kolb	D15/199
D881,961 S	*	4/2020	Bergeron	D15/199
D883,353 S	*	5/2020	Zhang	D15/199
D888,790 S	*	6/2020	Yao	D15/199
D892,188 S	*	8/2020	Galluzzo	D15/199
D908,152 S	*	1/2021	Cacioppo	D15/199
D908,153 S	*	1/2021	Cacioppo	D15/199
D909,441 S	*	2/2021	Zhao	D15/199
D909,442 S	*	2/2021	Zhao	D15/199
D918,978 S	*	5/2021	Li	D15/199
D919,687 S	*	5/2021	Song	D15/199
D919,717 S	*	5/2021	Paul	D21/578
D921,080 S	*	6/2021	Chen	D15/199
D921,081 S	*	6/2021	LaPlante	D15/199
D934,933 S	*	11/2021	Cho	D15/199

* cited by examiner

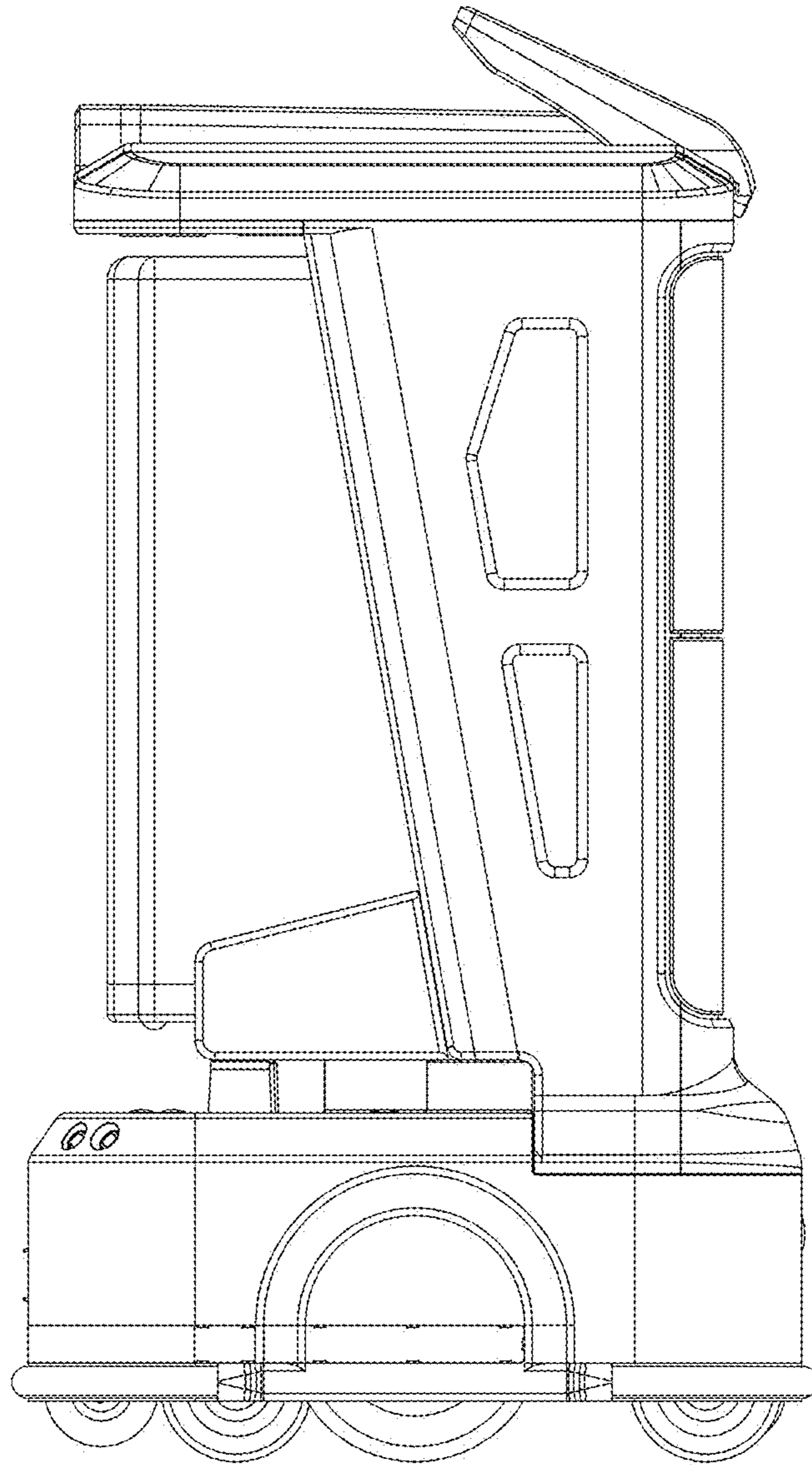
6.1



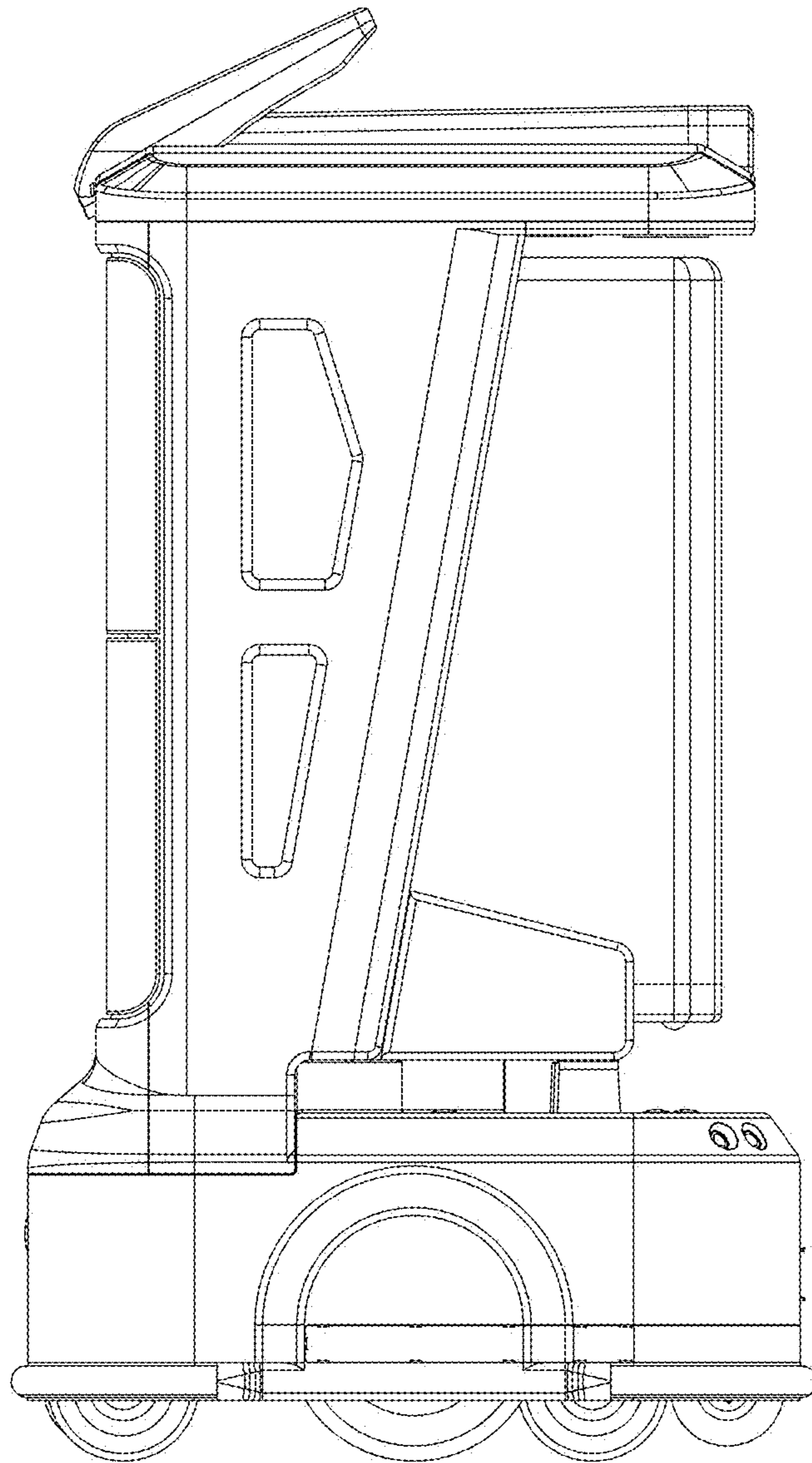
6.2



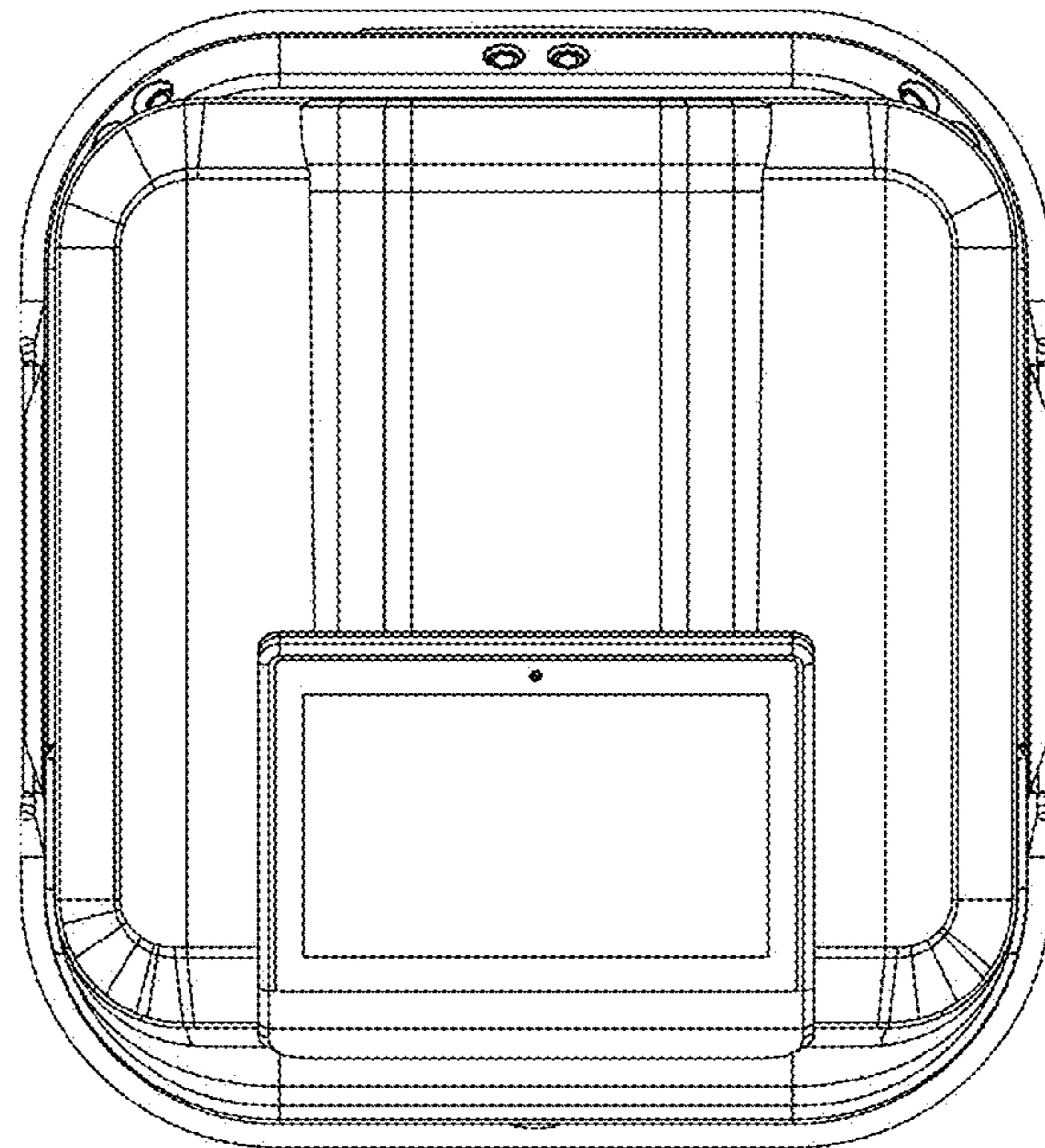
6.3



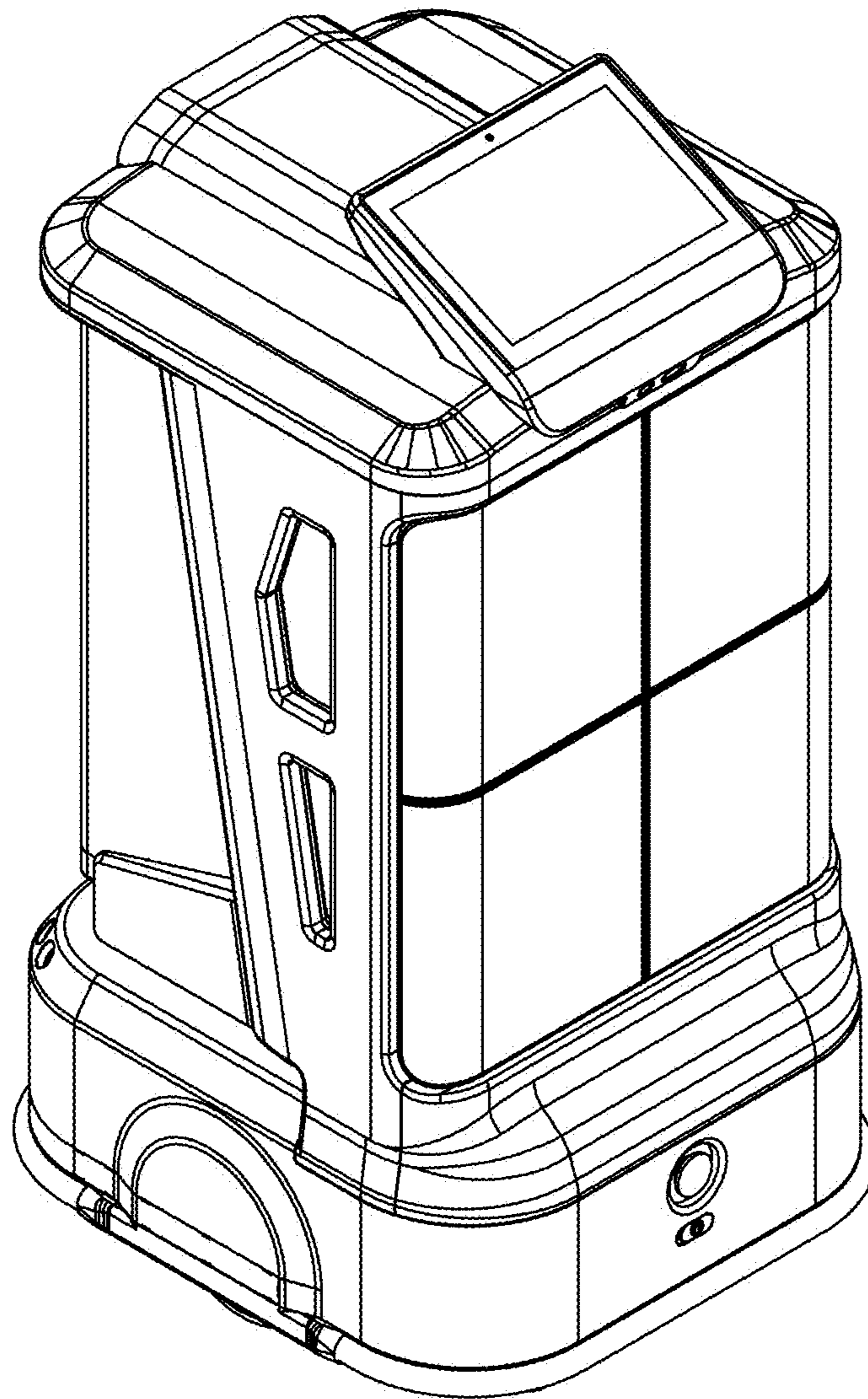
6.4



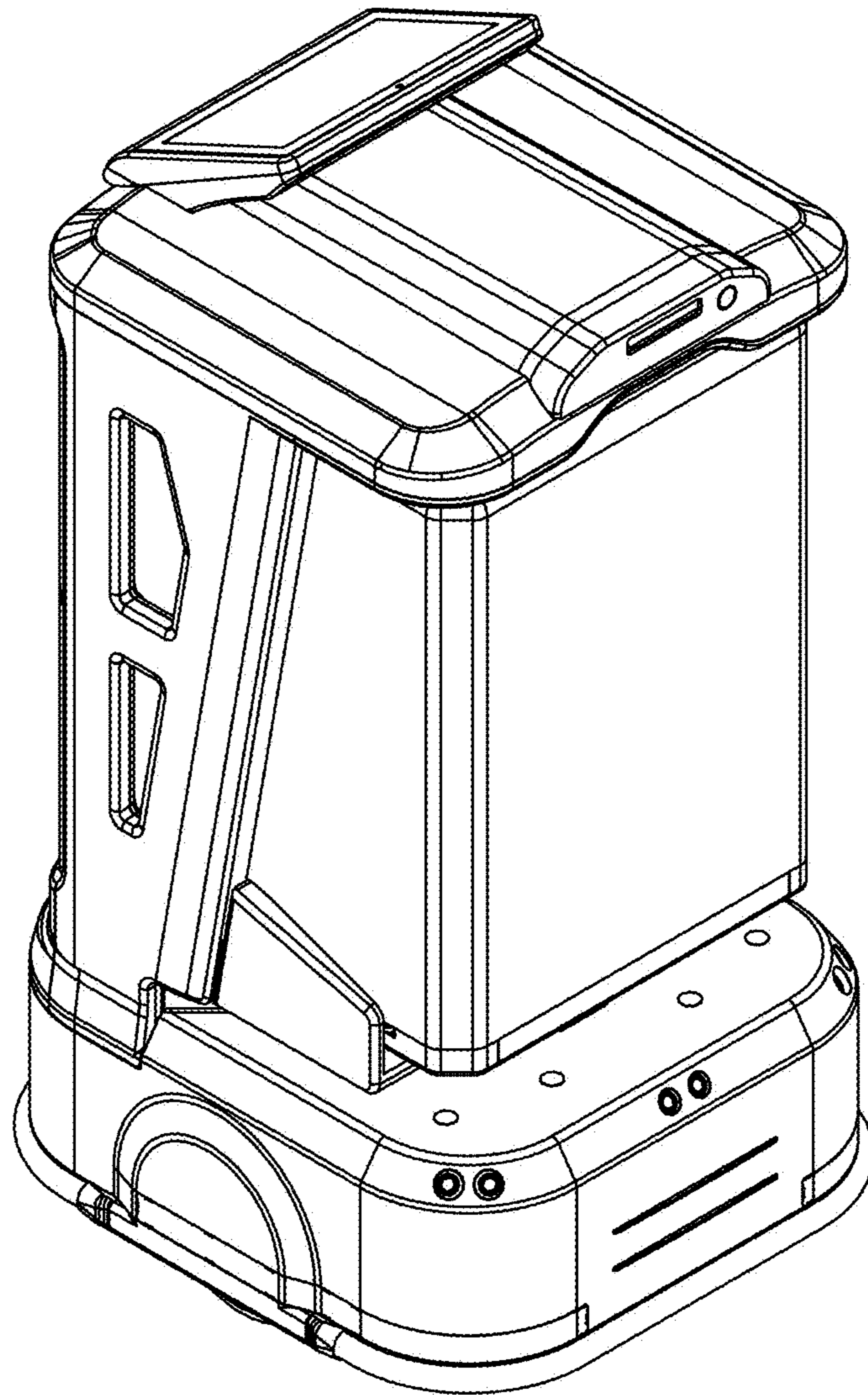
6.5



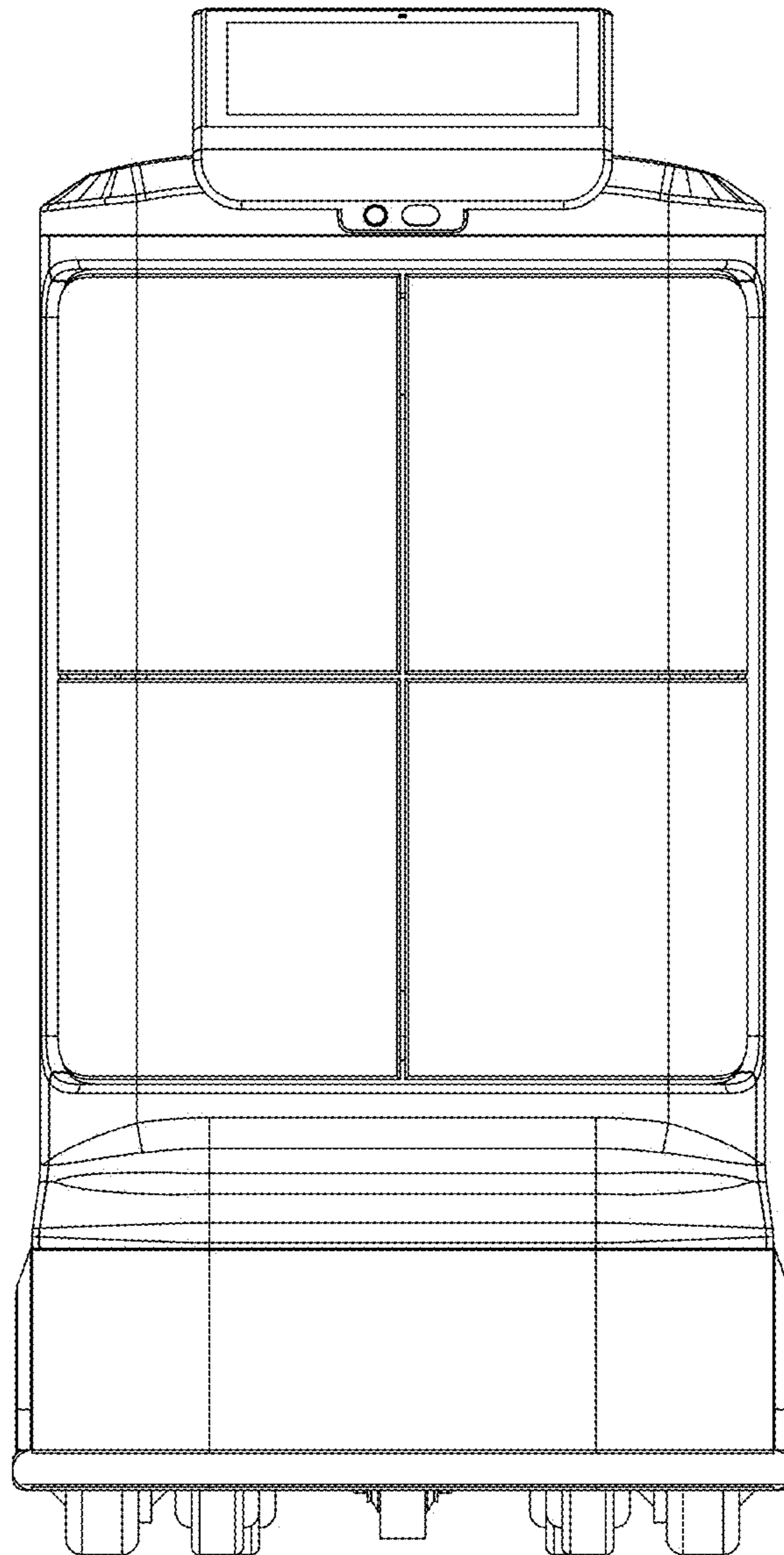
6.6



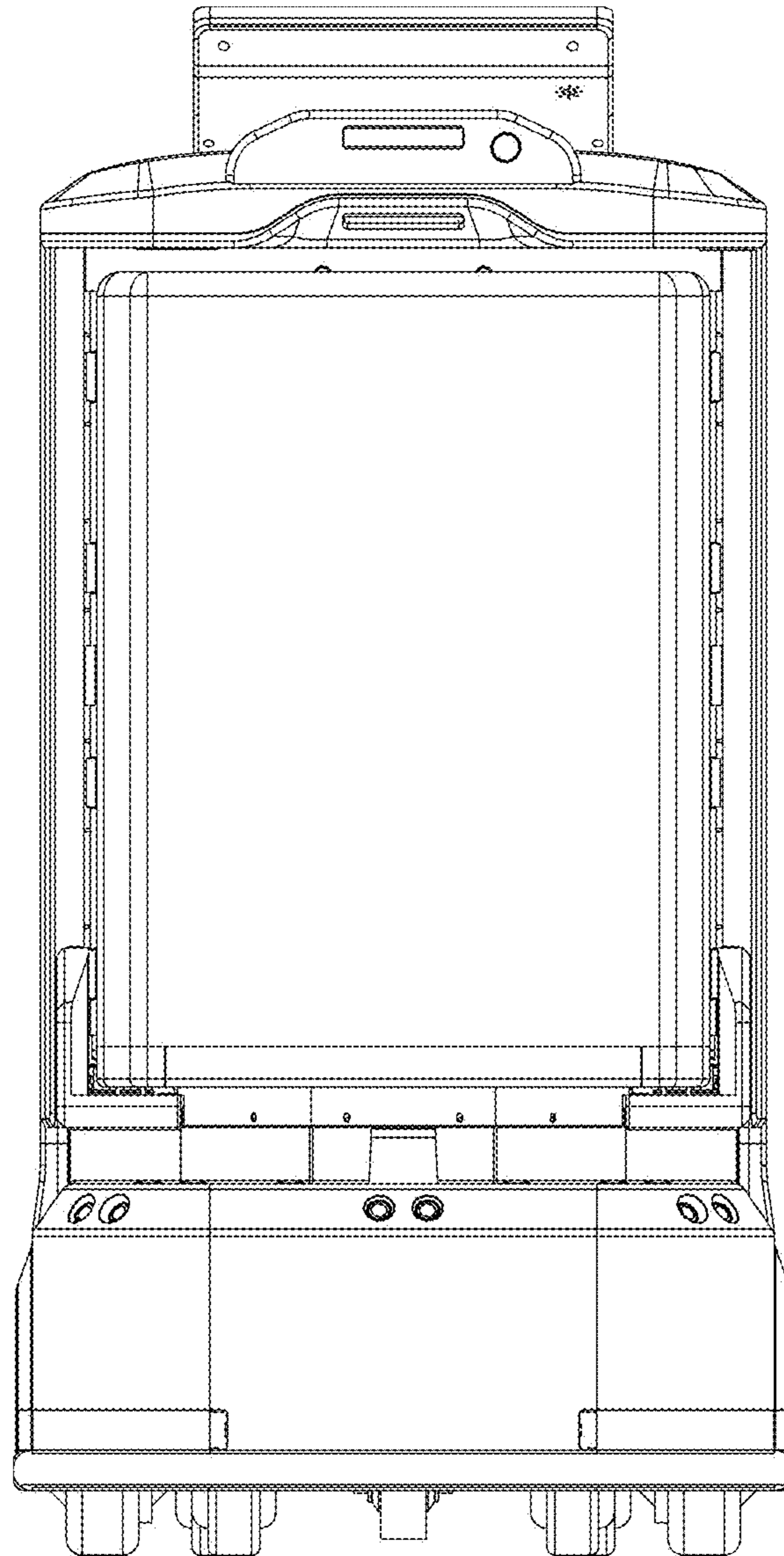
6.7



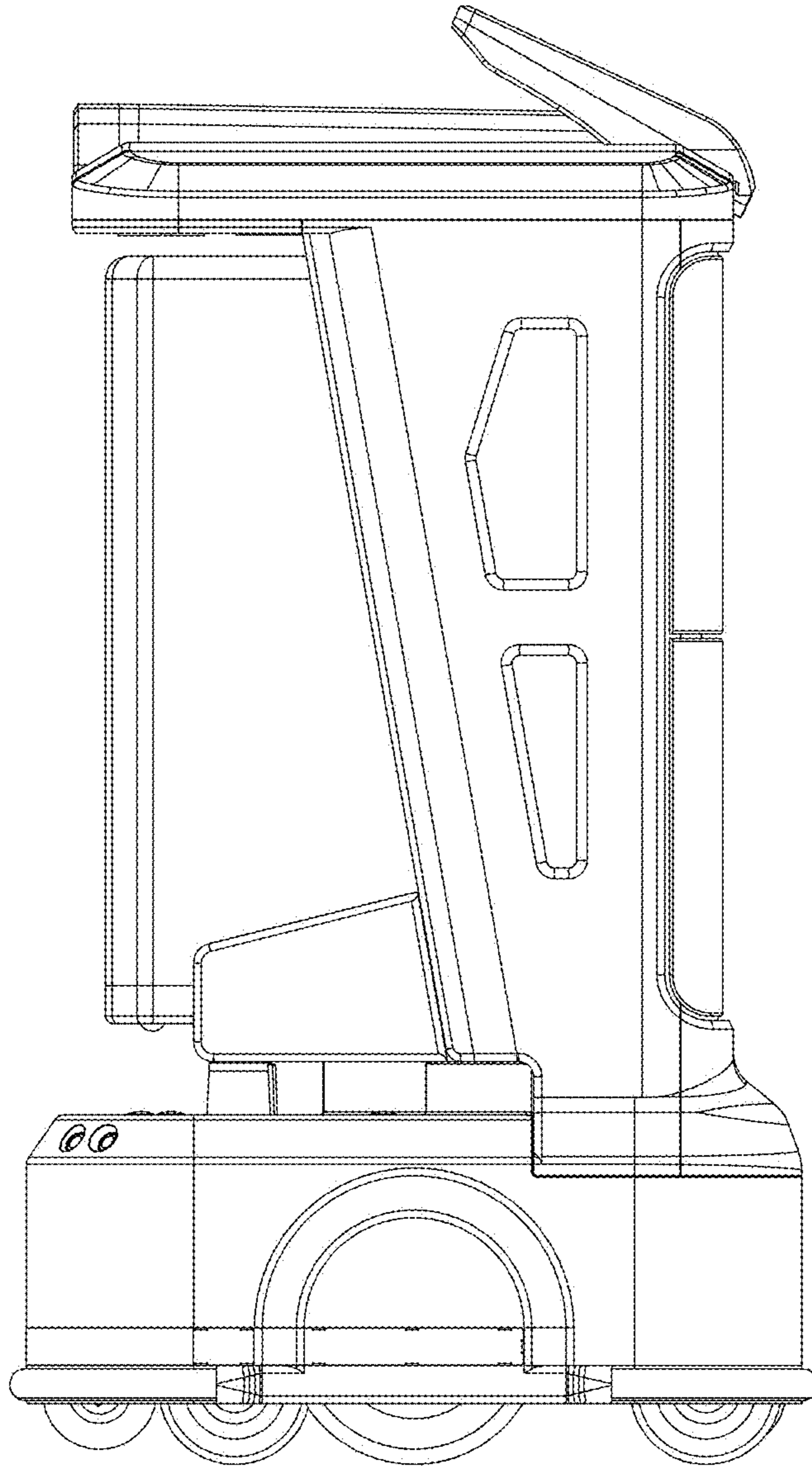
7.1



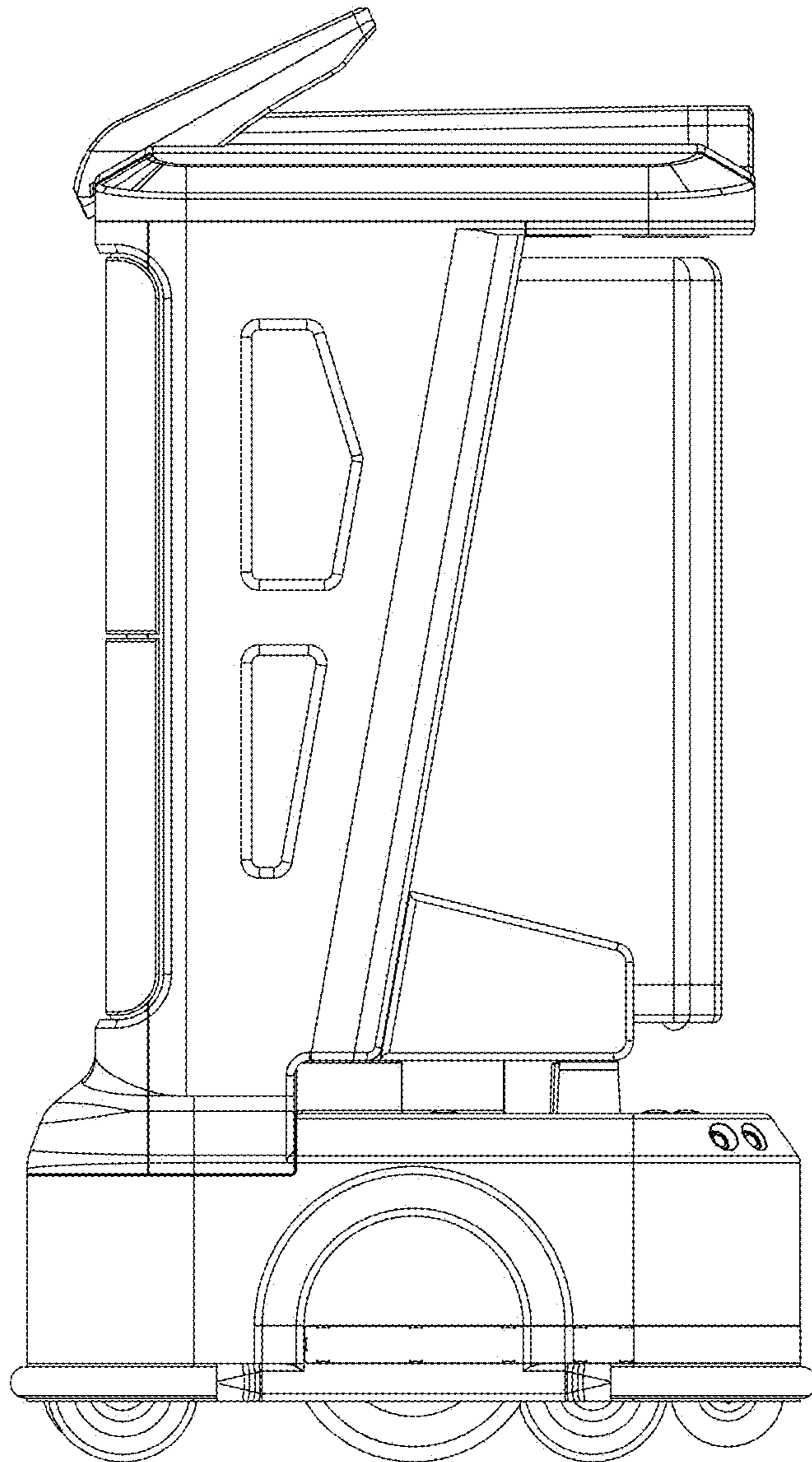
7.2



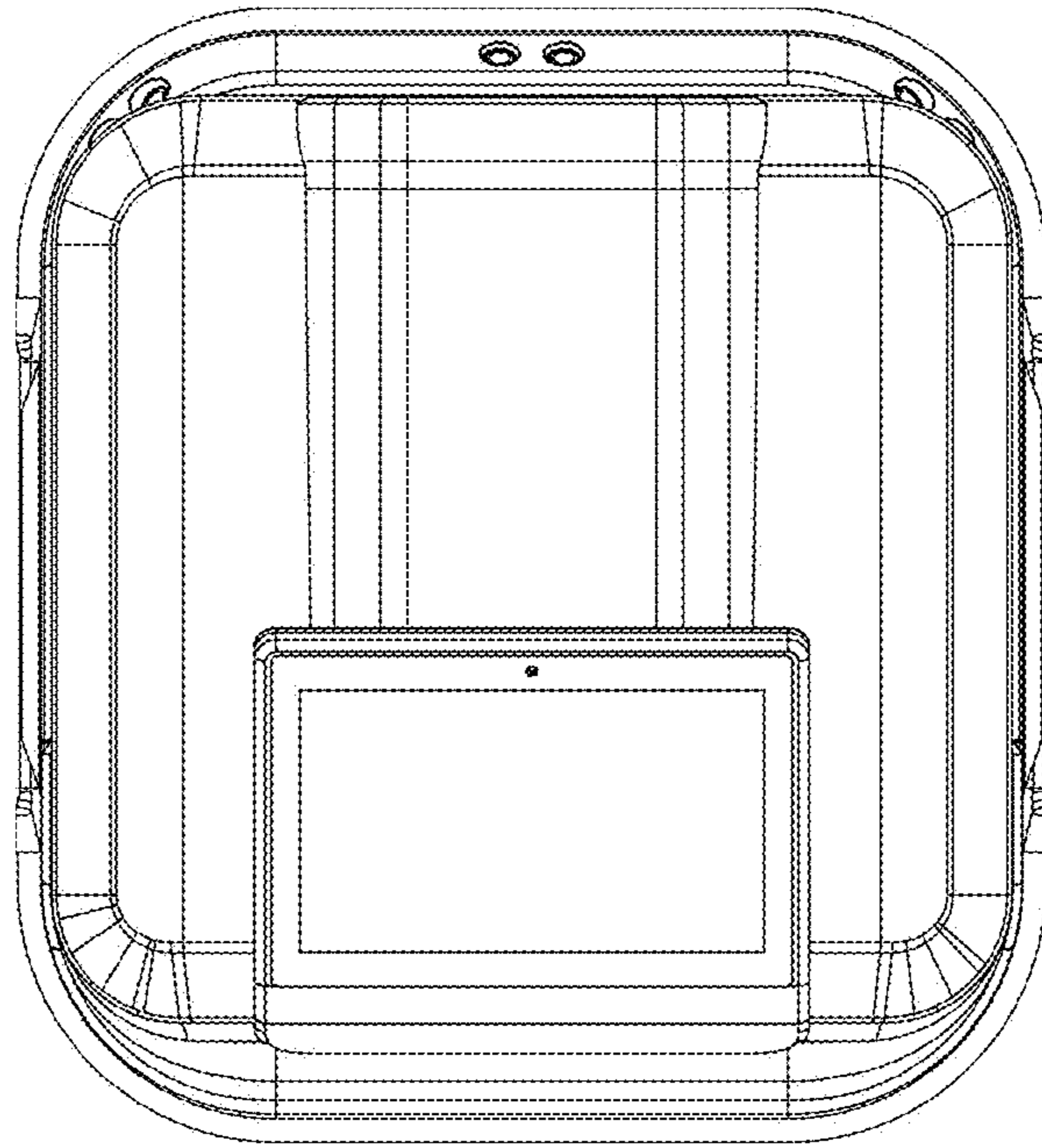
7.3



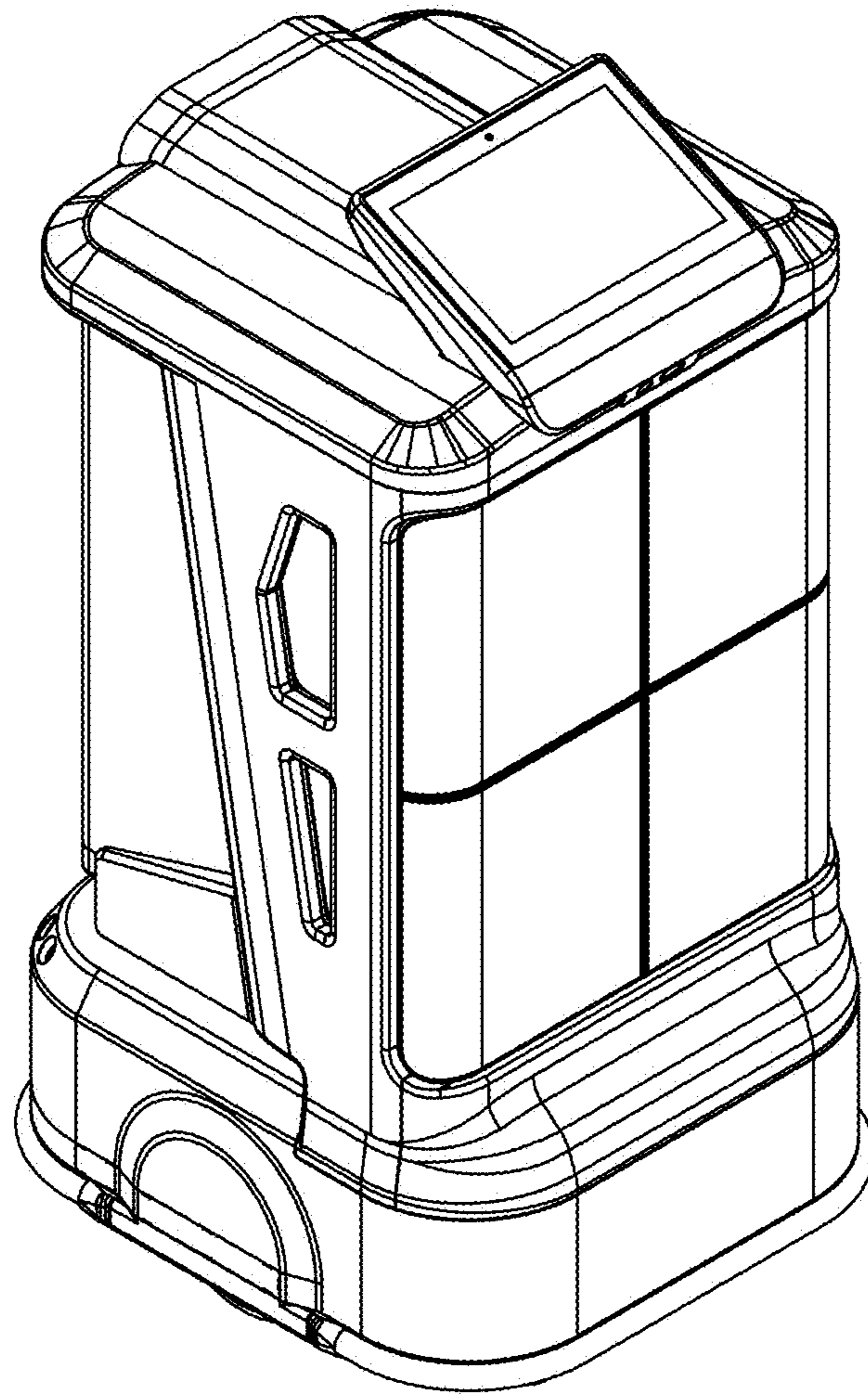
7.4



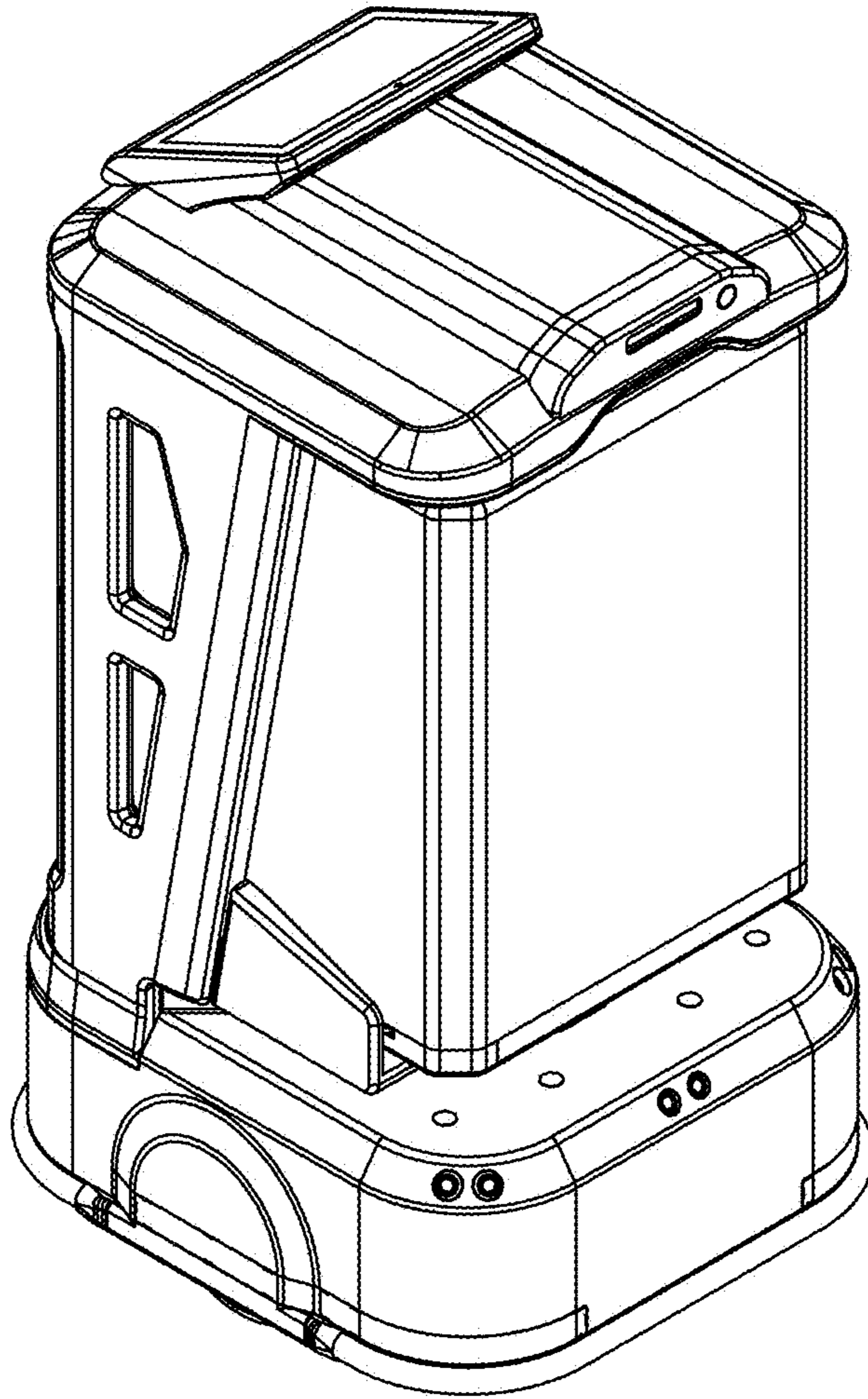
7.5



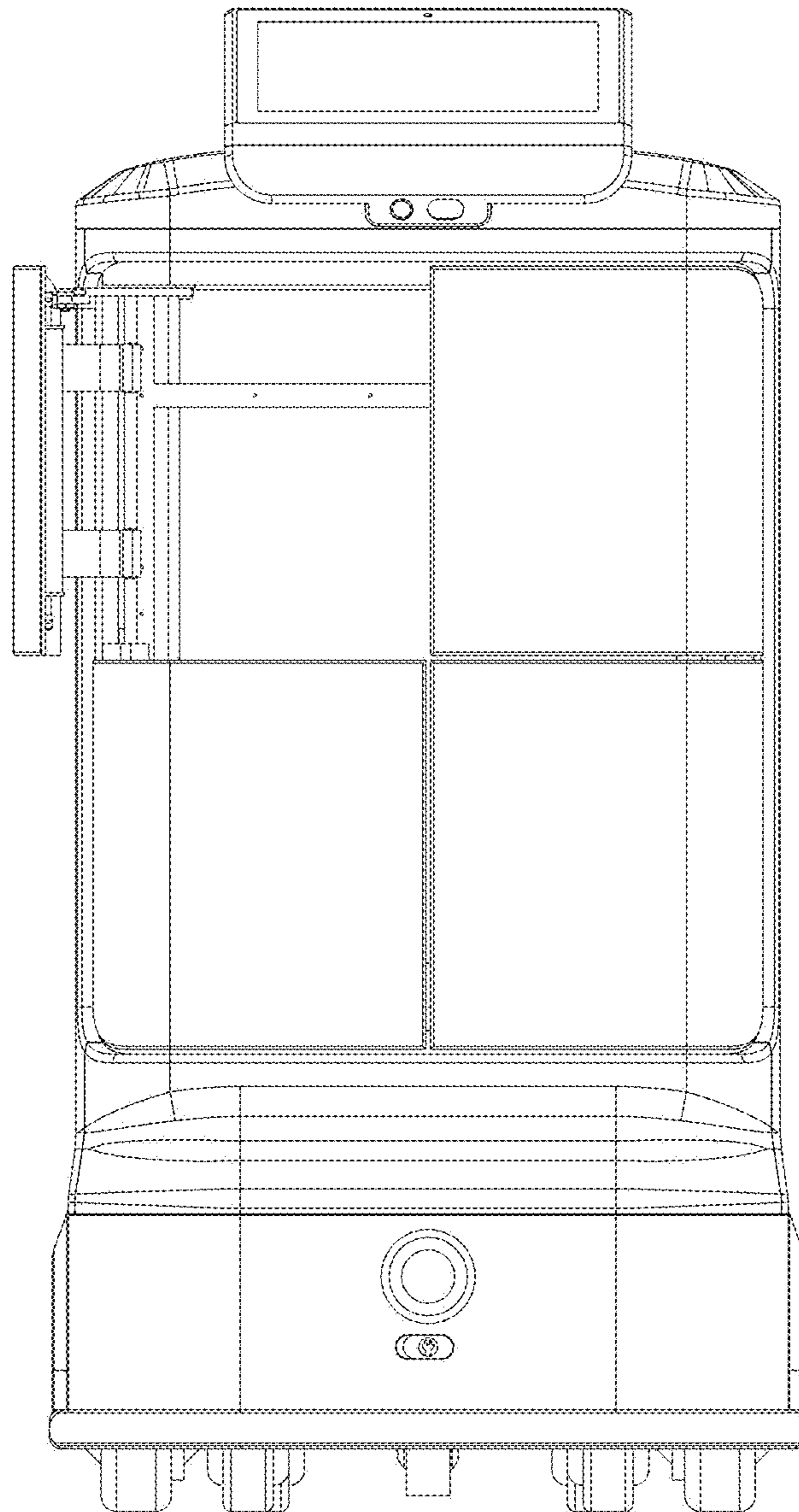
7.6



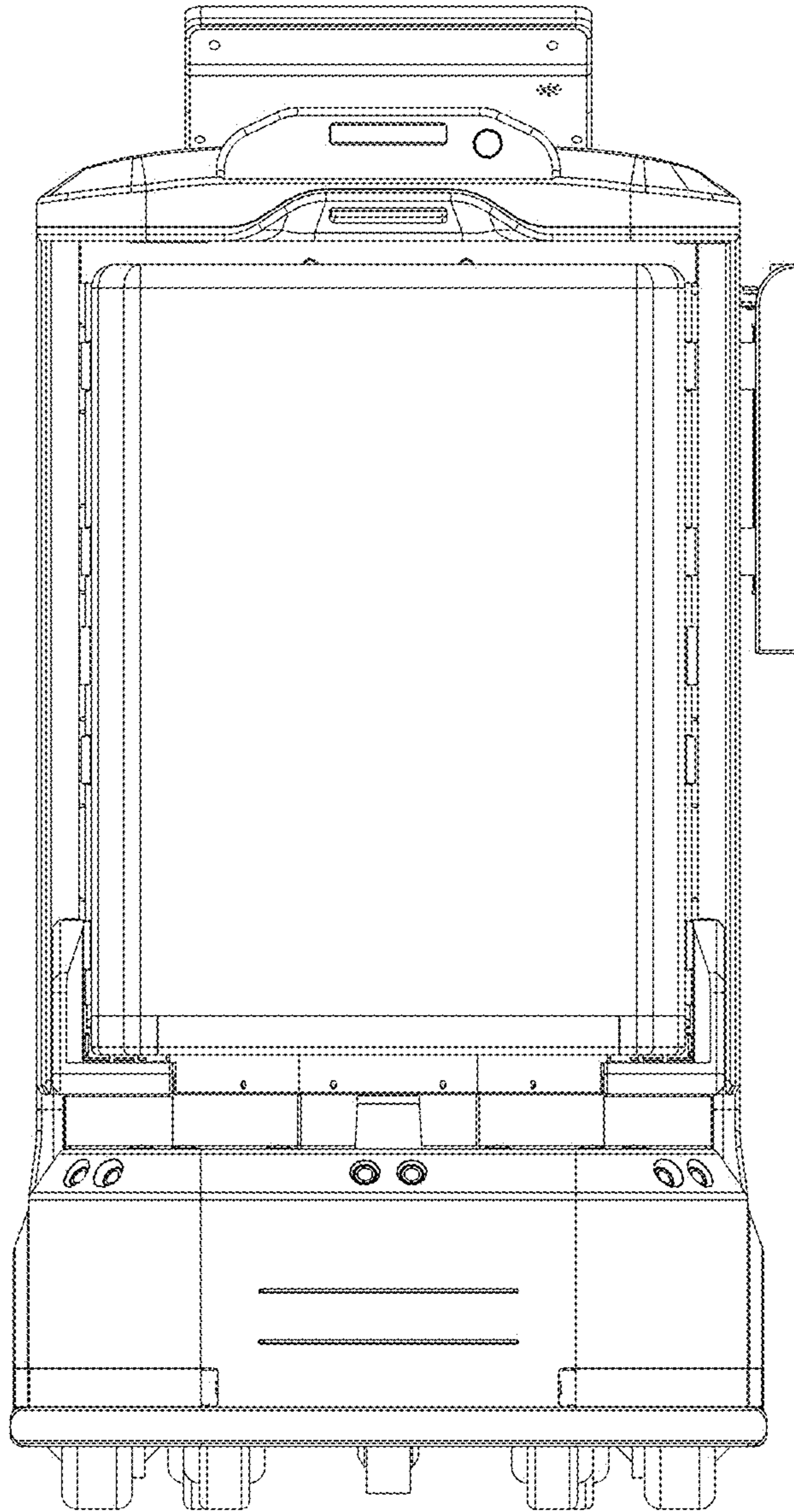
7.7



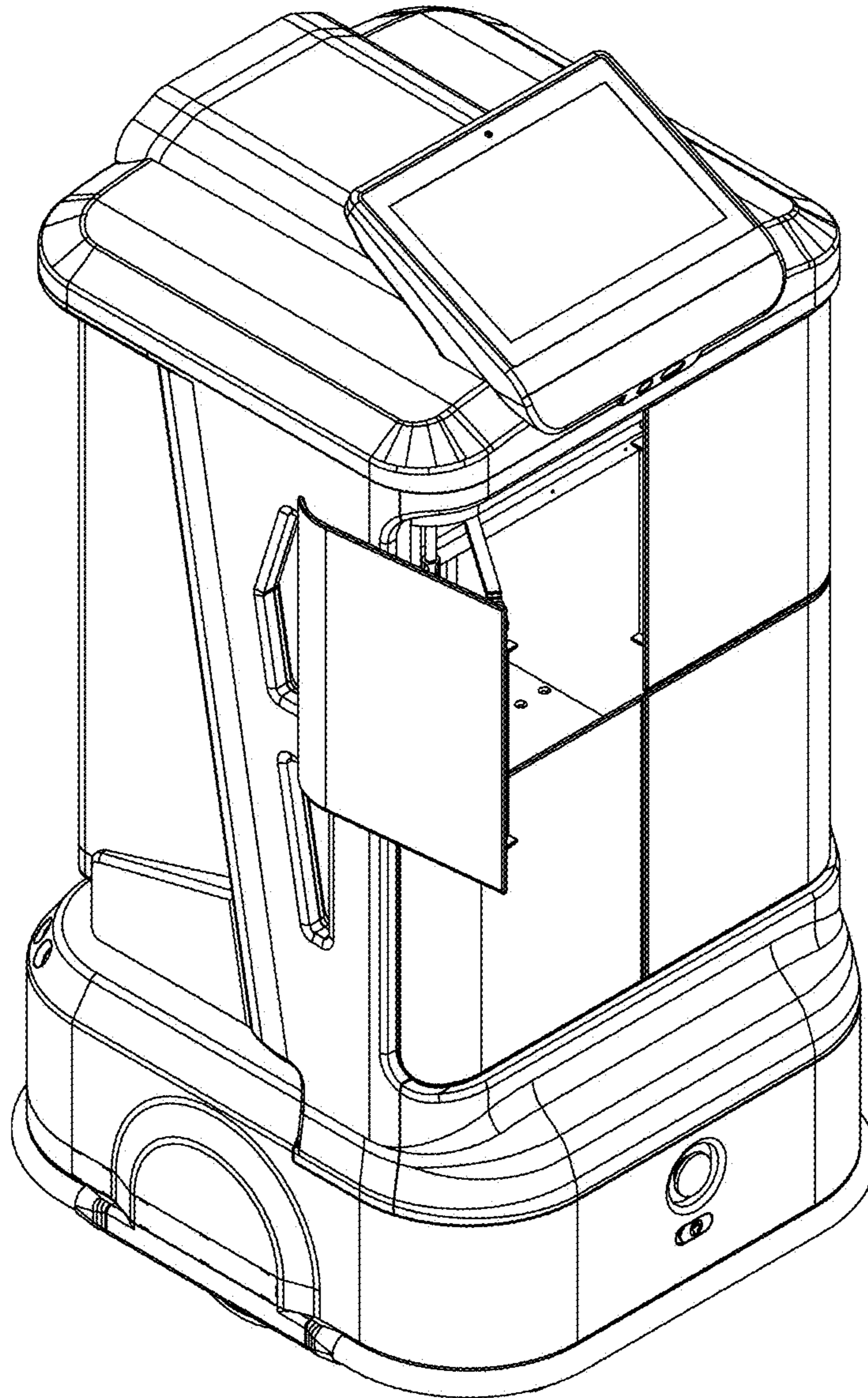
8.1



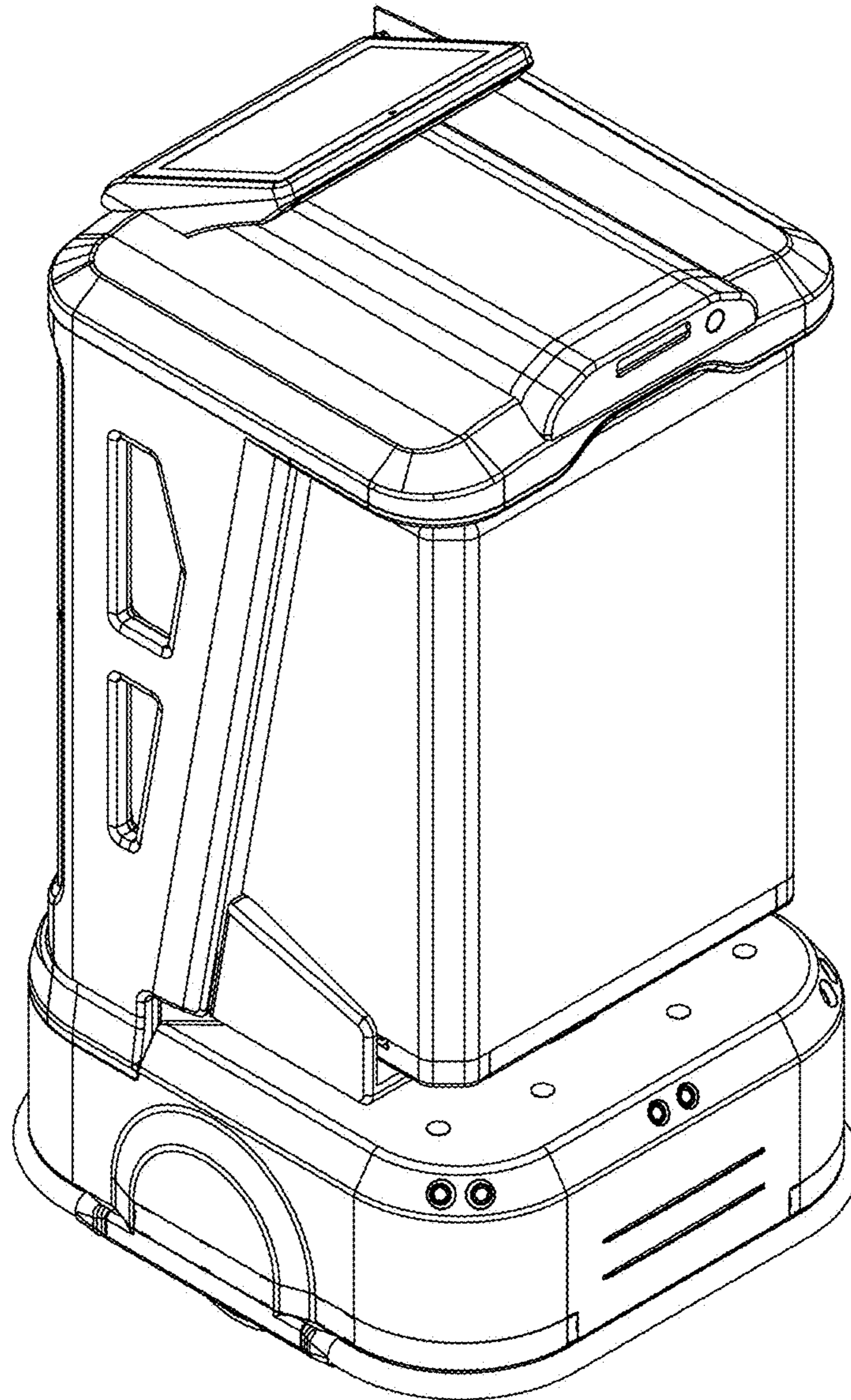
8.2



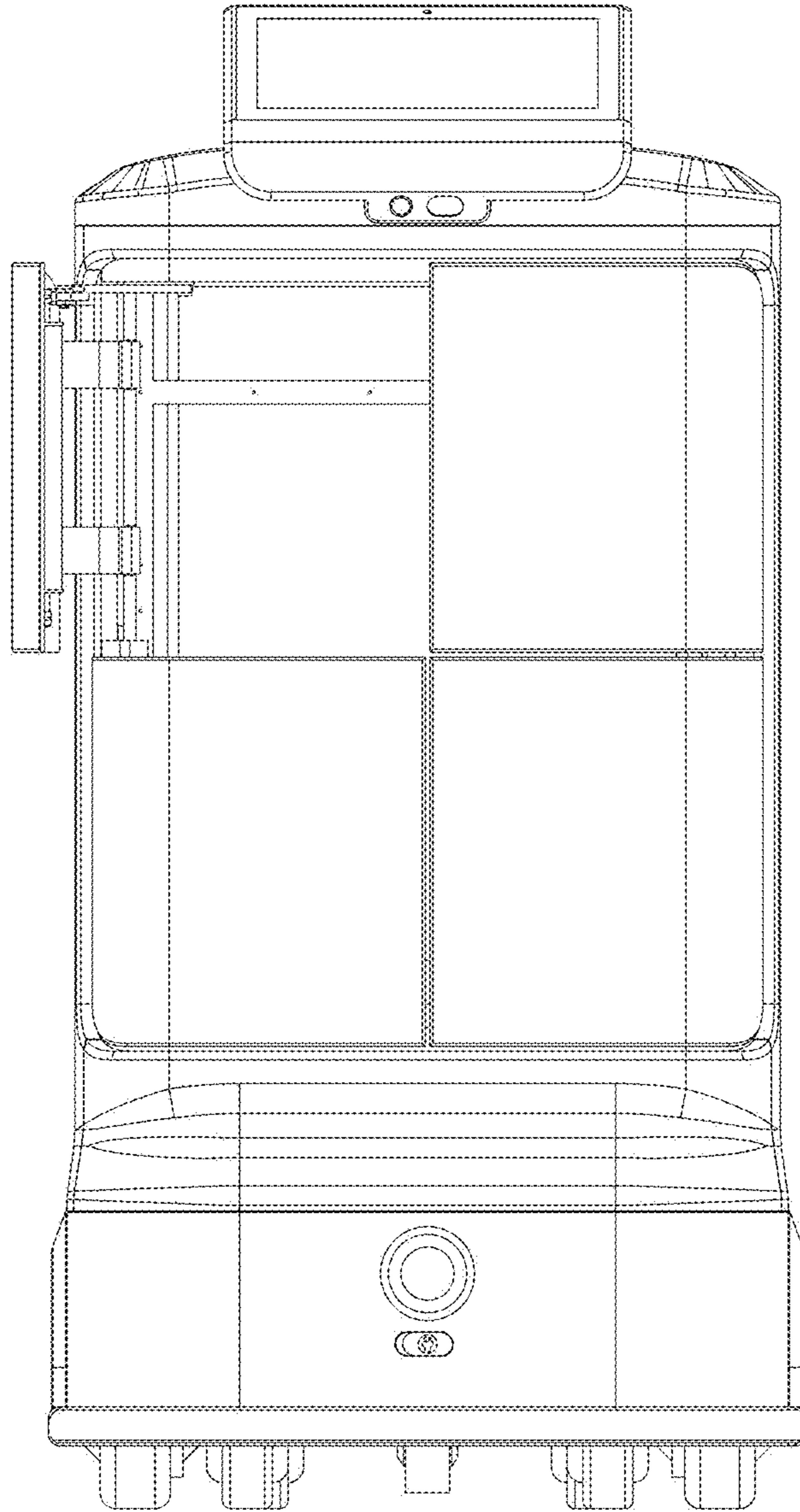
8.3



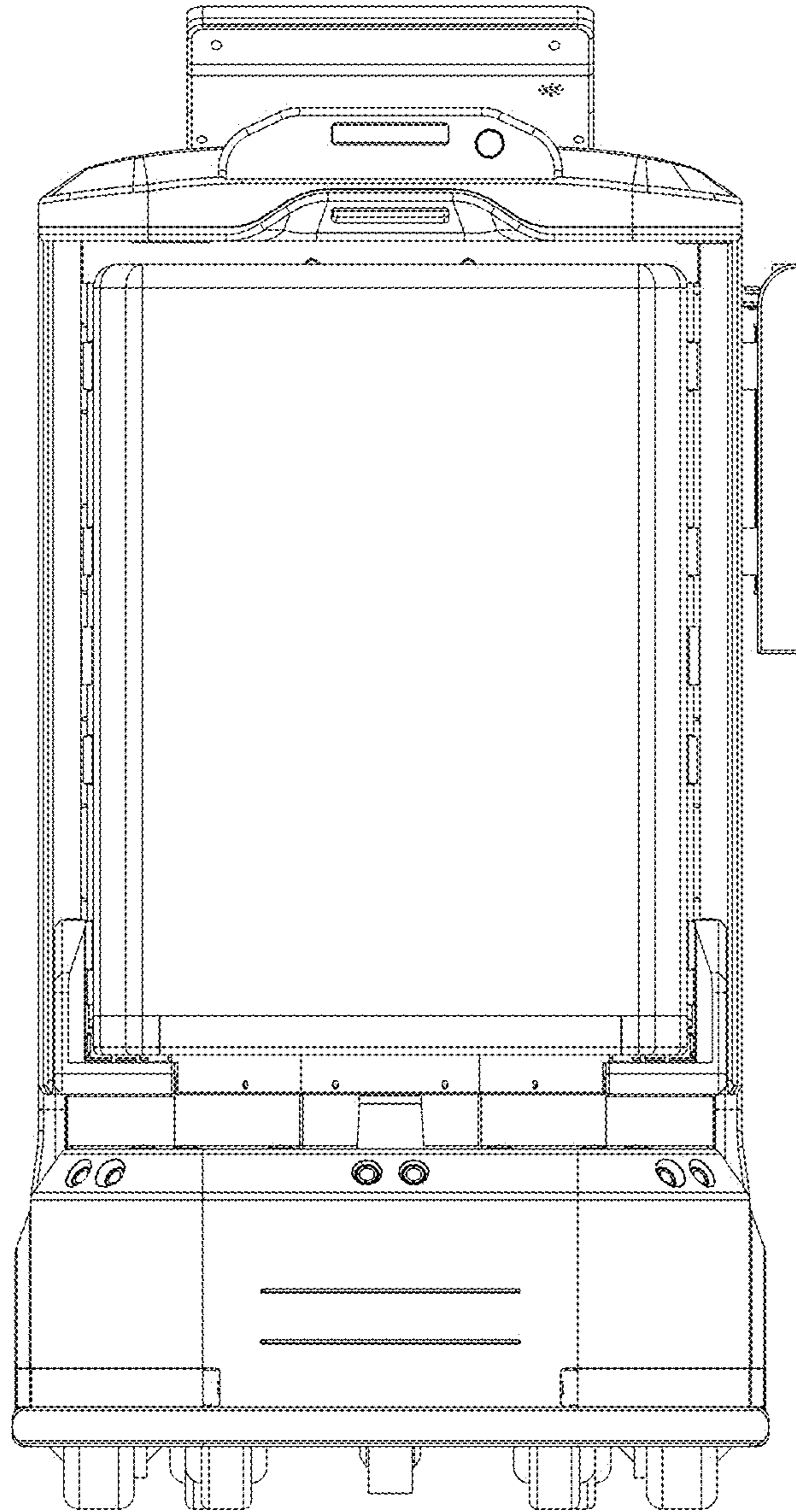
8.4



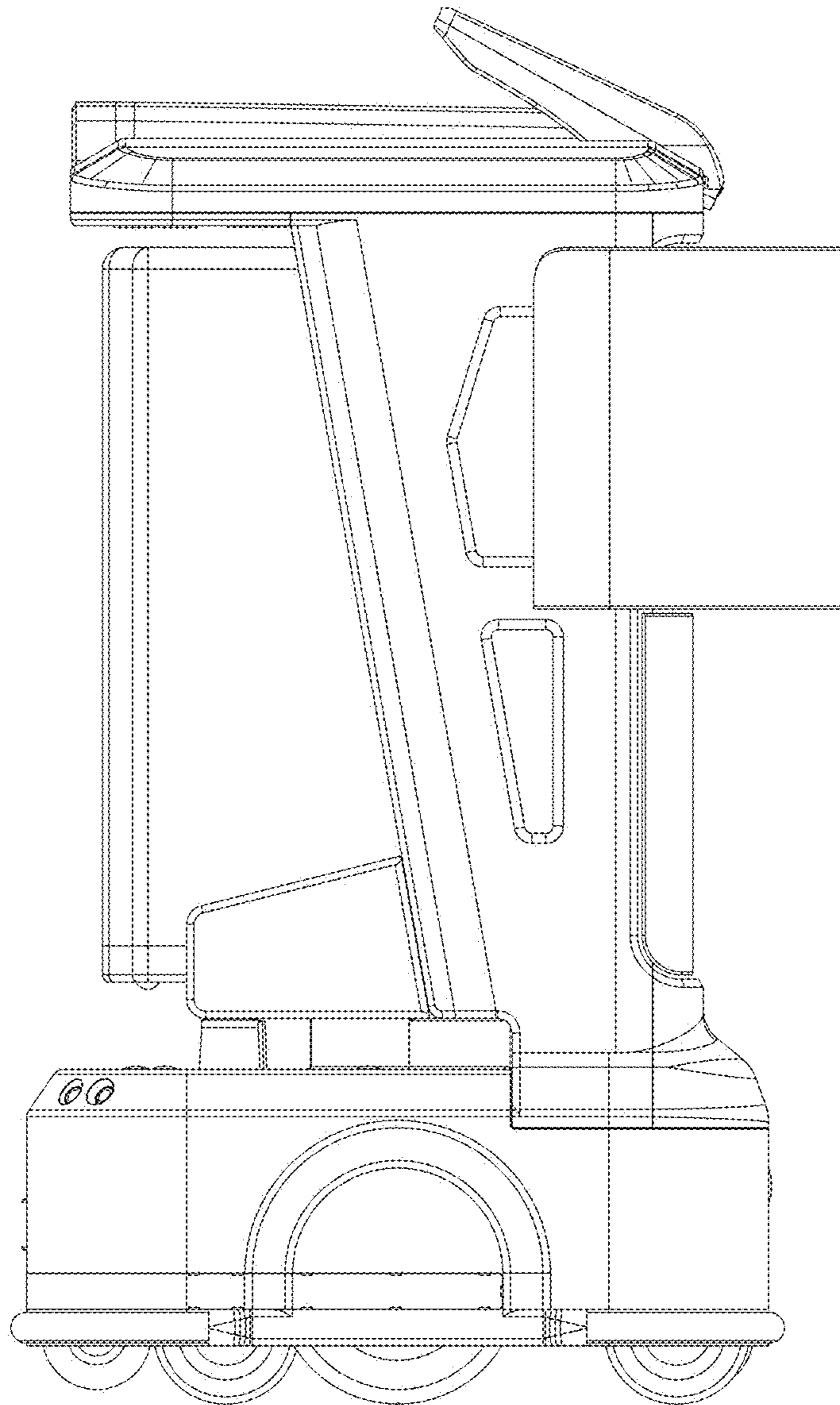
9.1



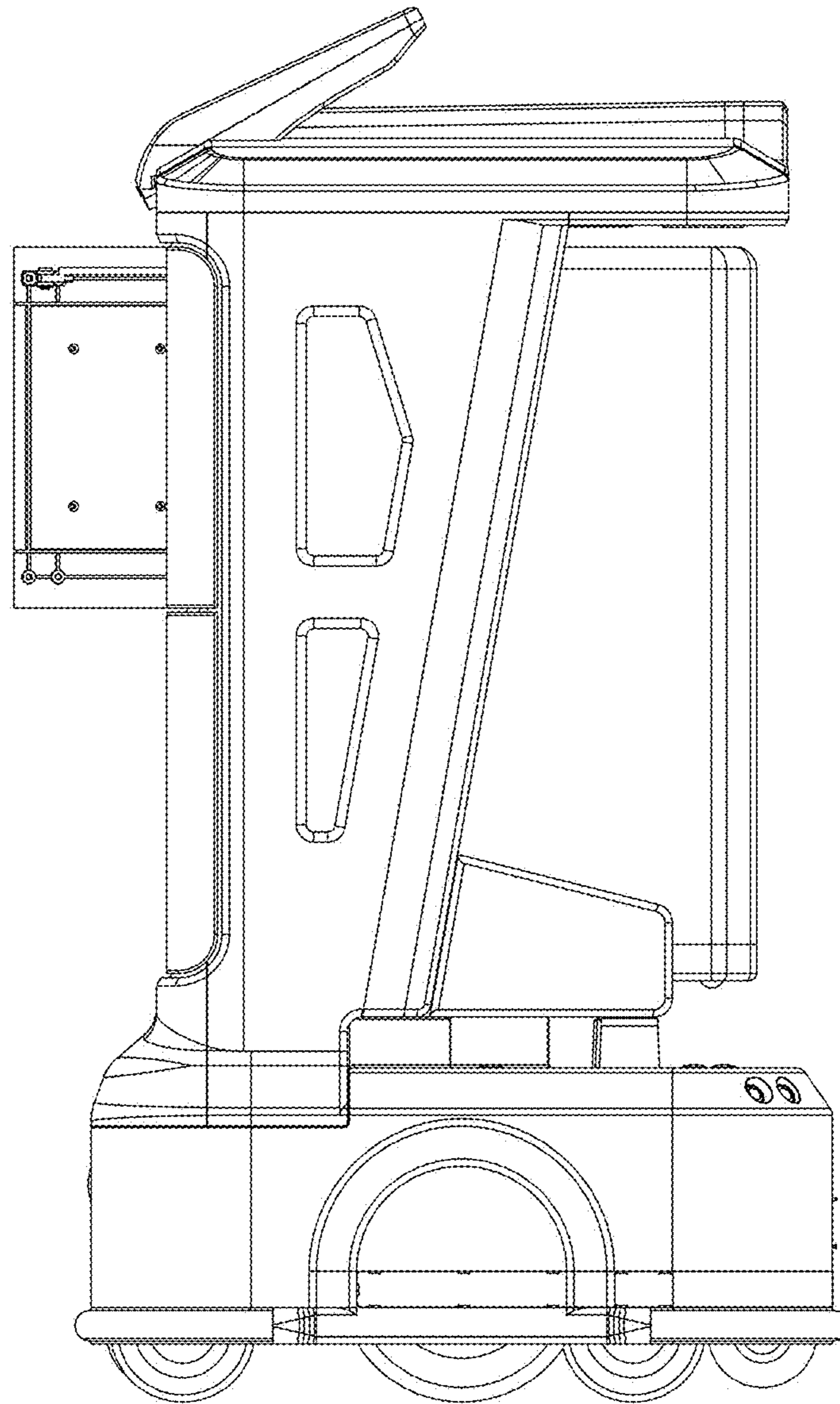
9.2



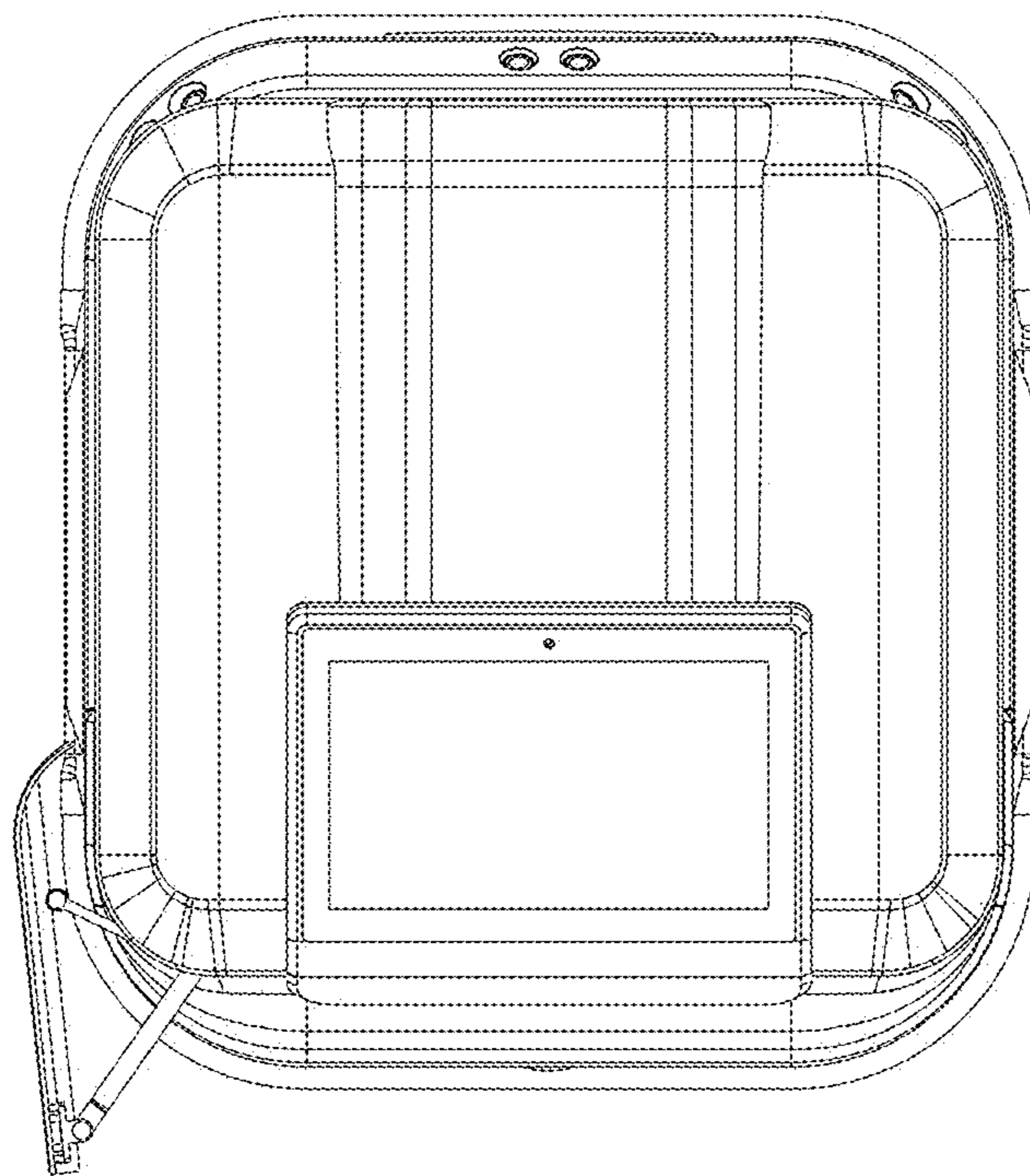
9.3



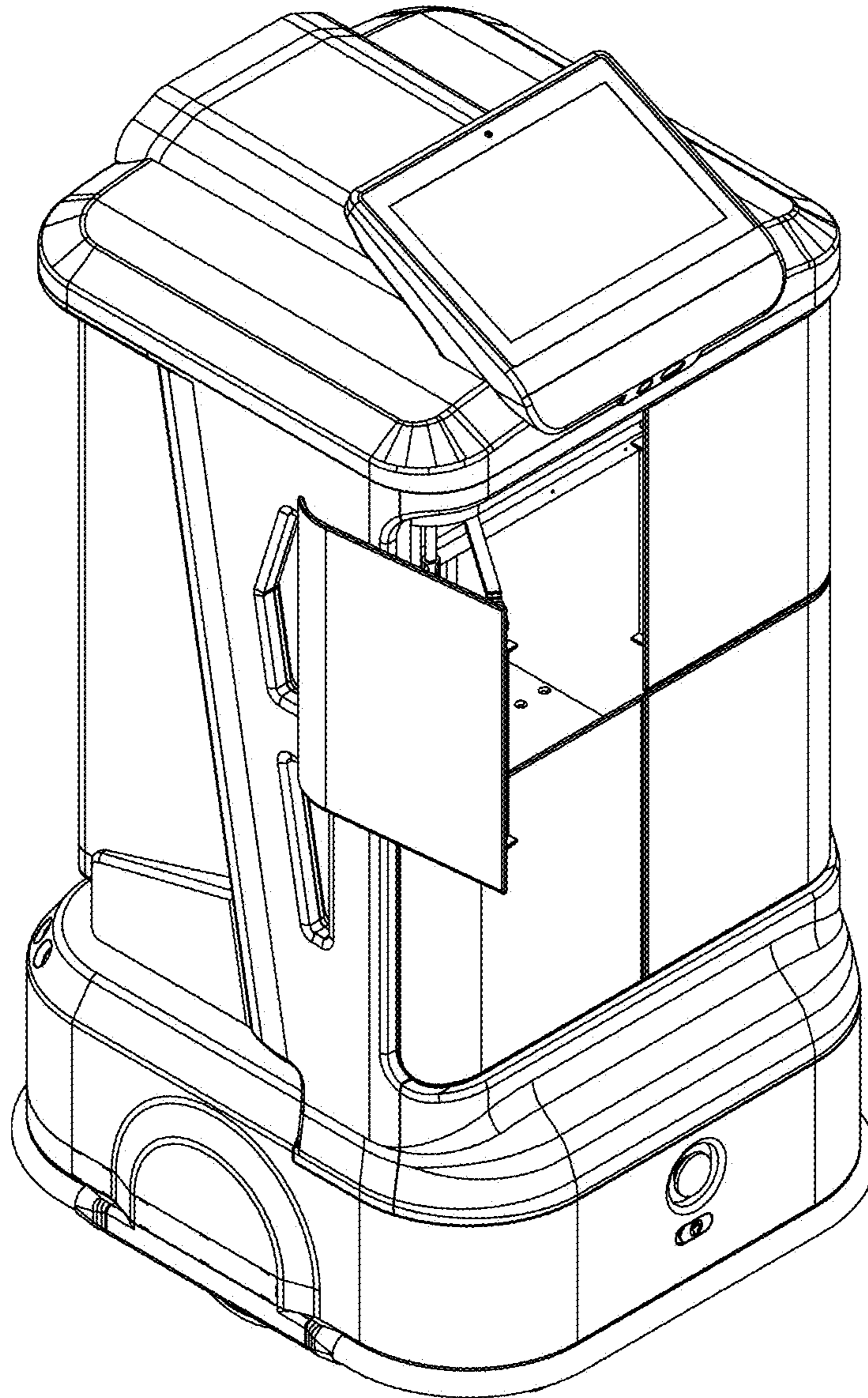
9.4



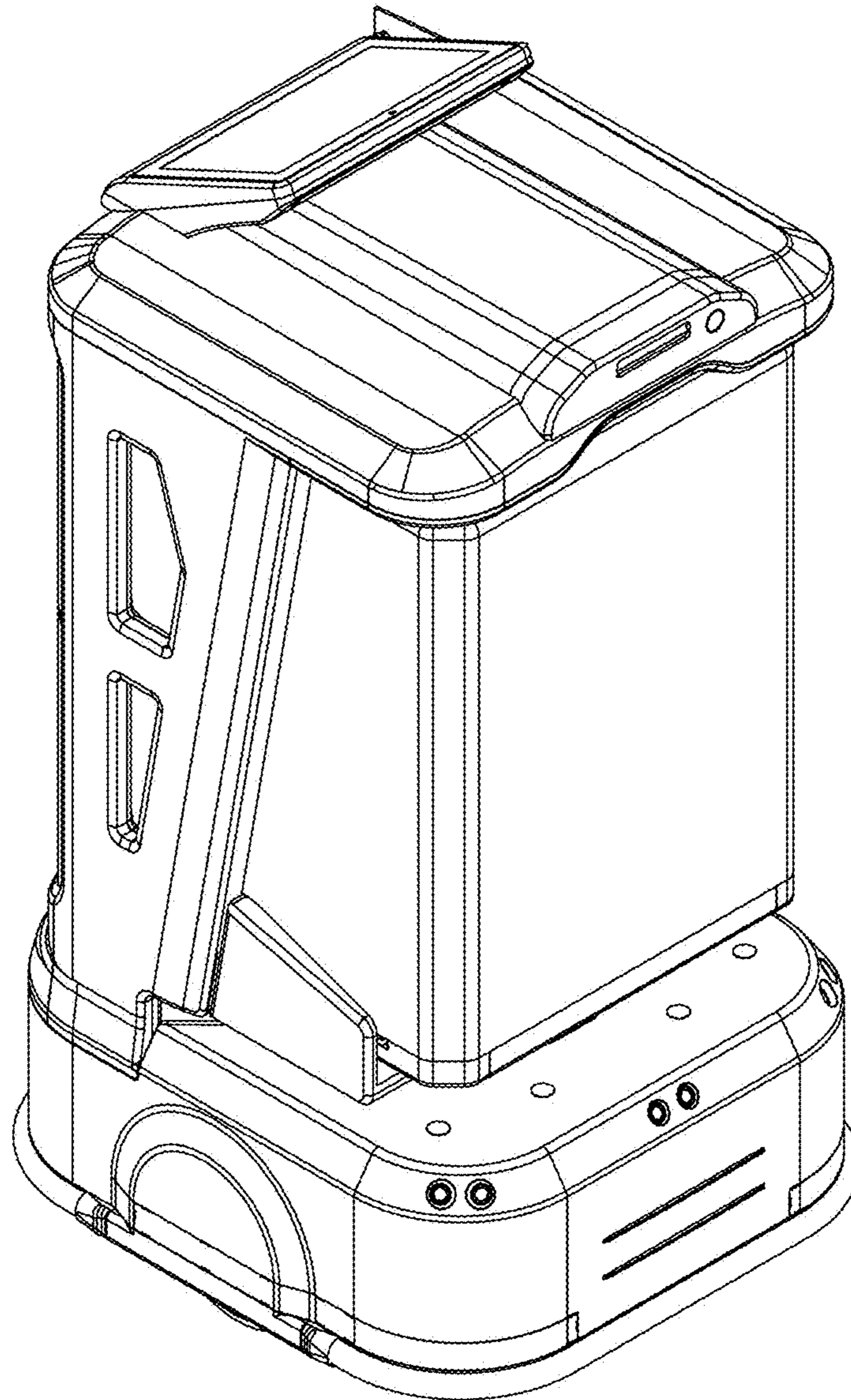
9.5



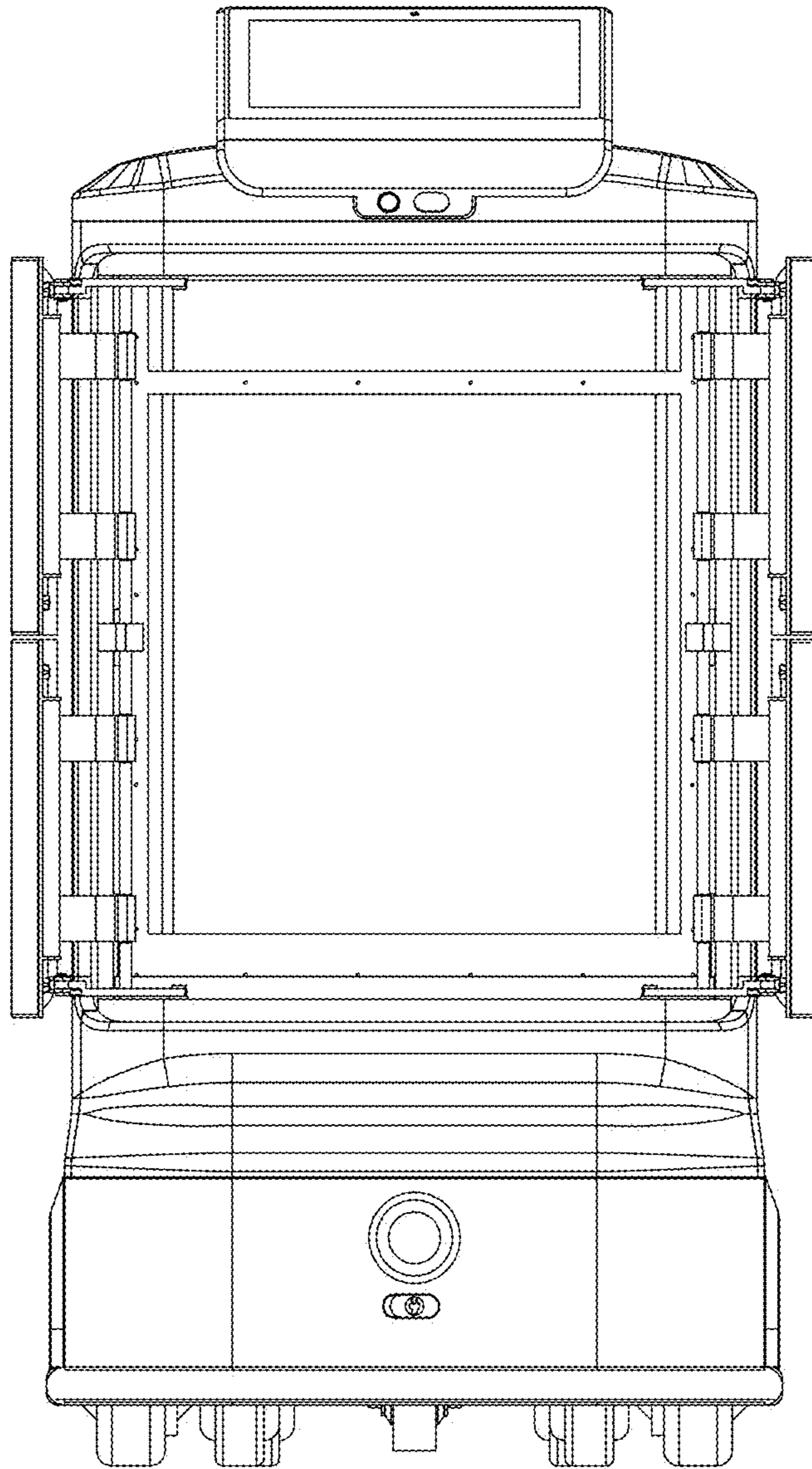
9.6



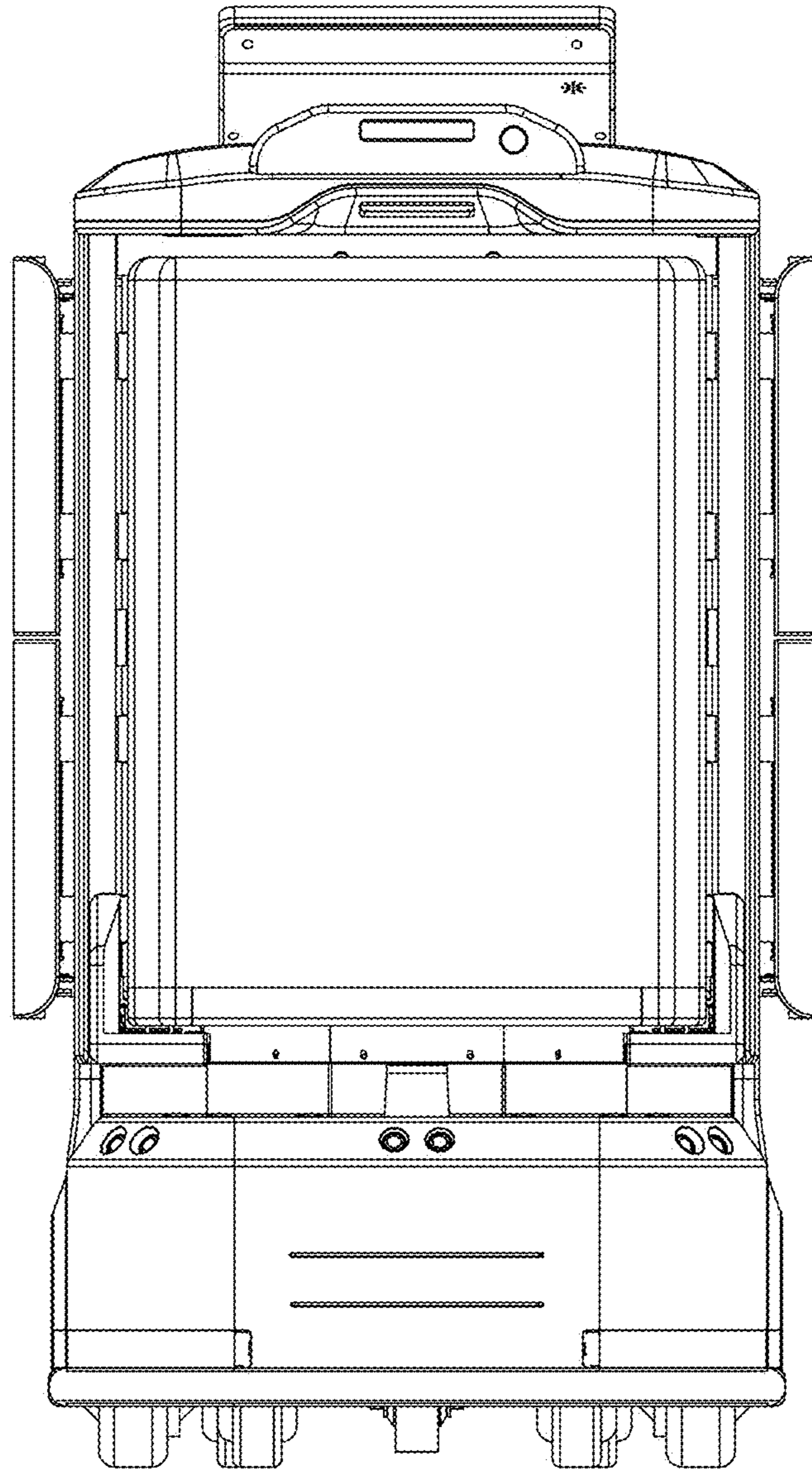
9.7



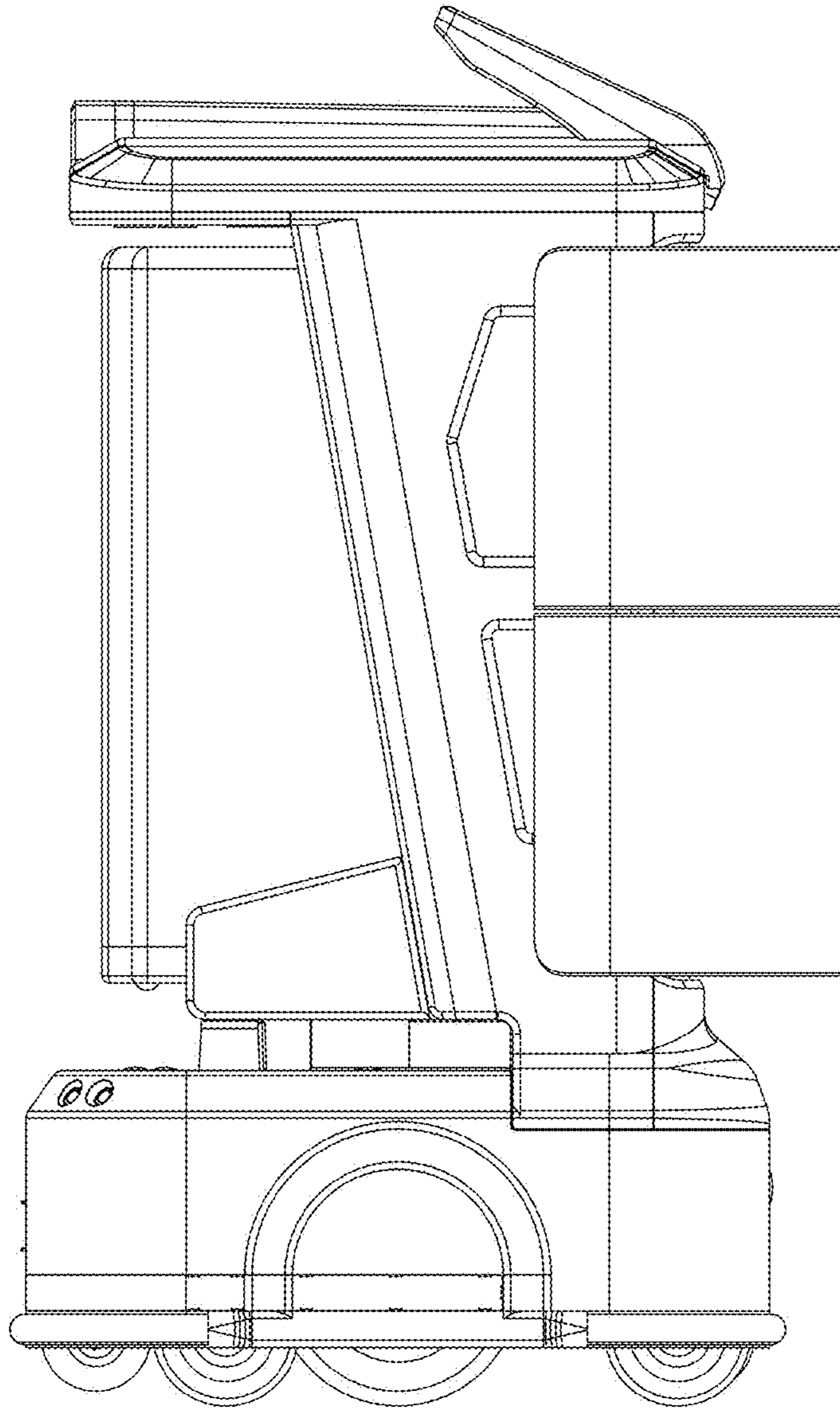
10.1



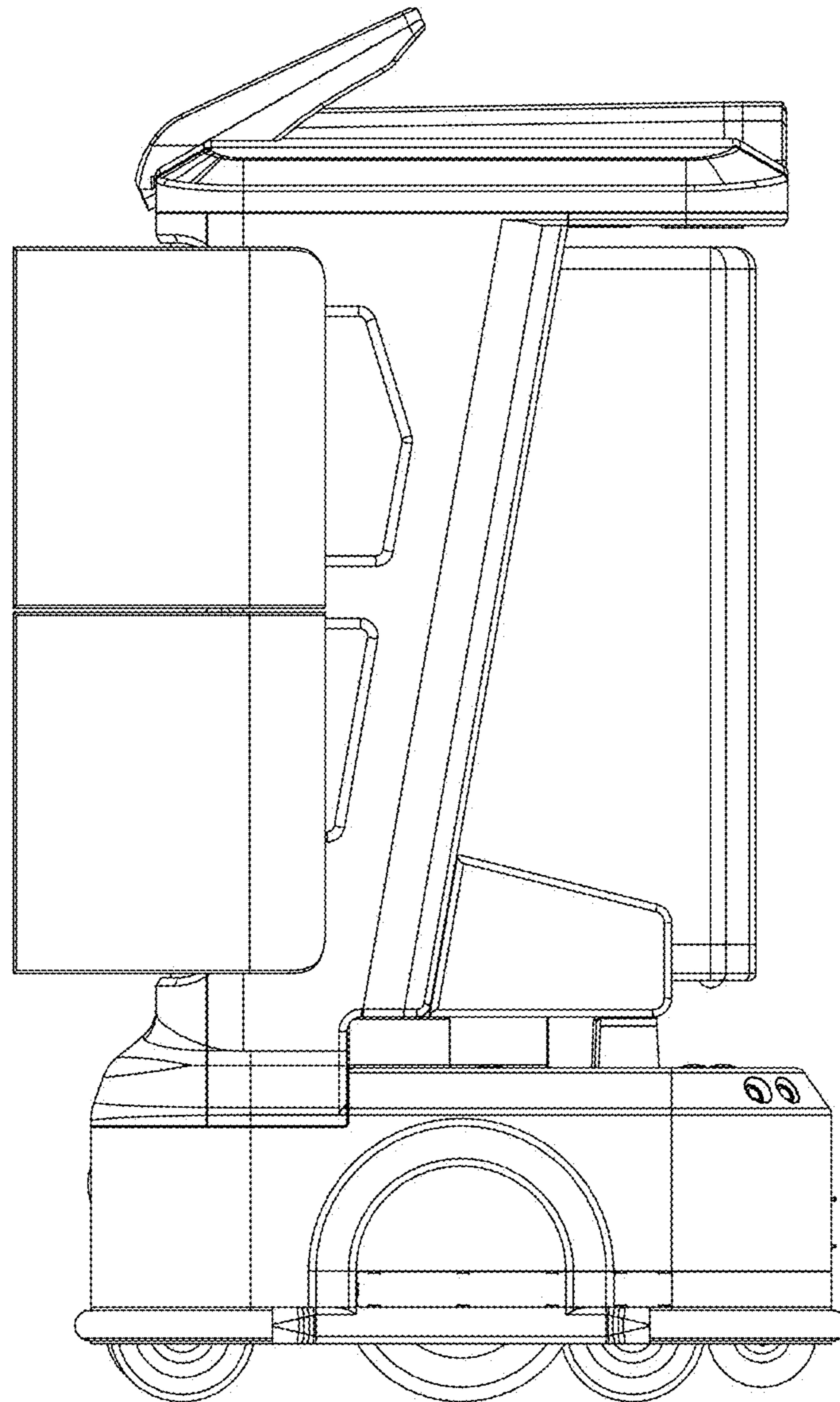
10.2



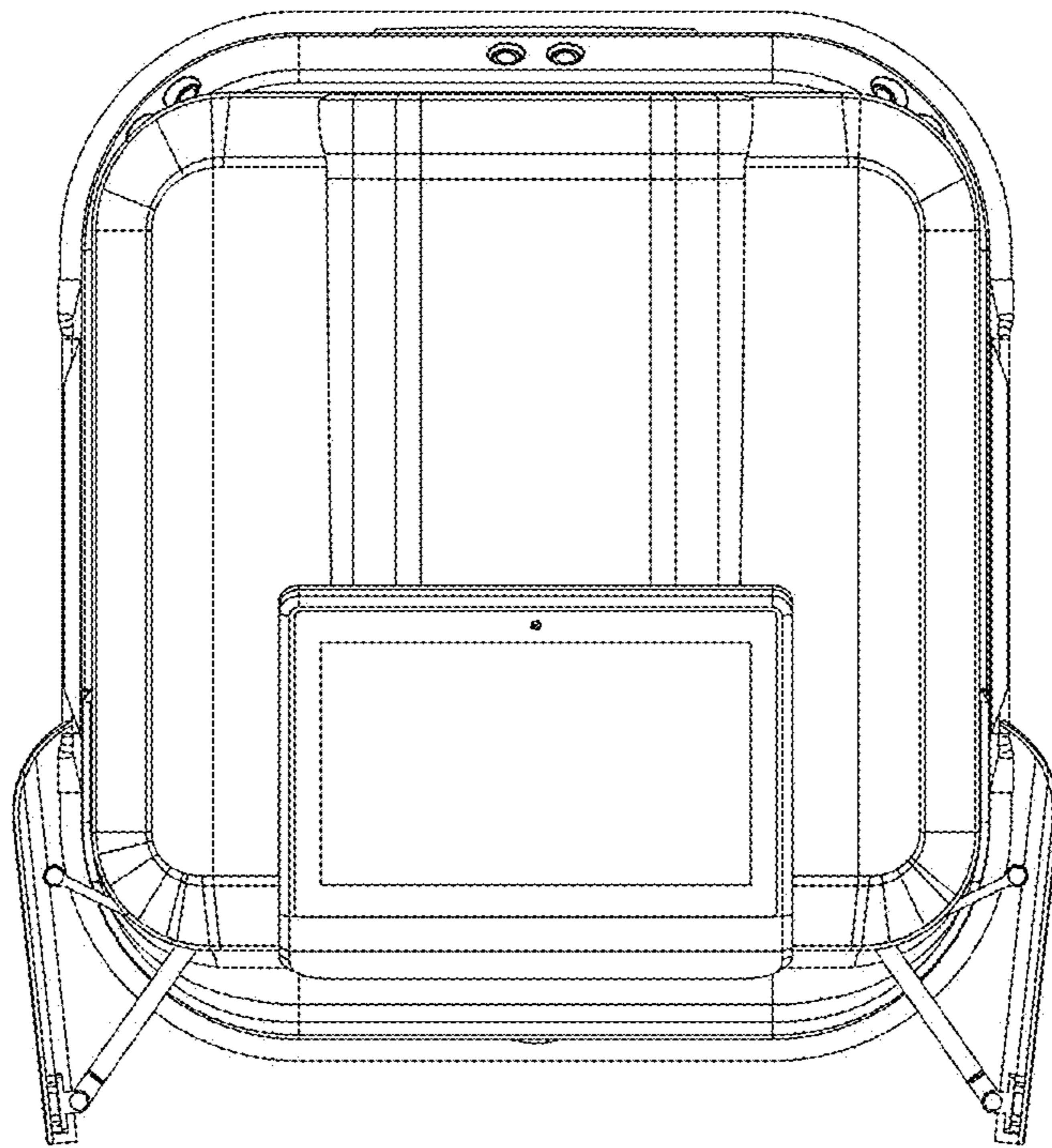
10.3



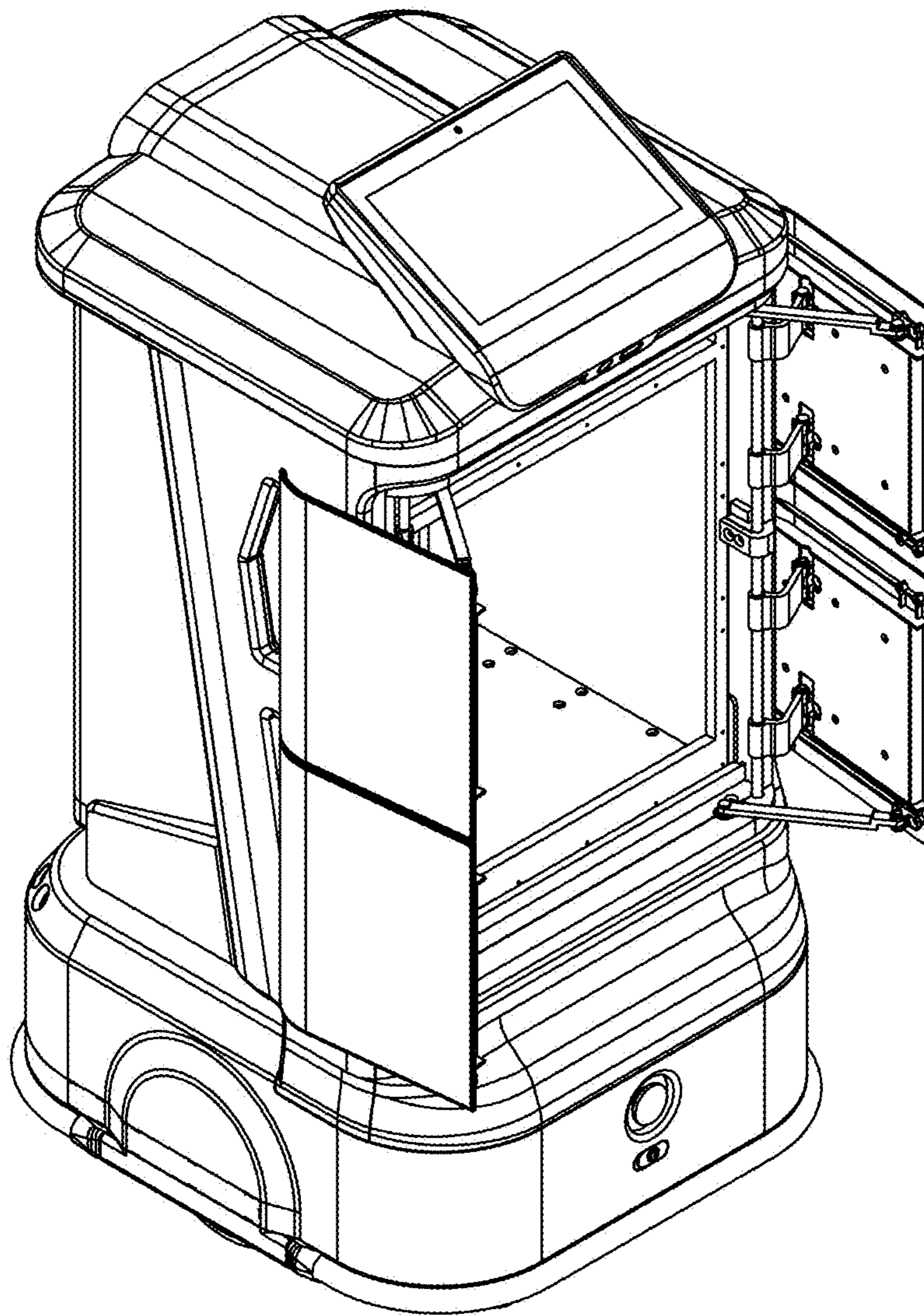
10.4



10.5



10.6



10.7

