



US00D944304S

(12) **United States Design Patent** (10) **Patent No.:** **US D944,304 S**
Ishizu (45) **Date of Patent:** **** Feb. 22, 2022**

- (54) **ROBOT**
- (71) Applicant: **SONY CORPORATION**, Tokyo (JP)
- (72) Inventor: **Yuto Ishizu**, Tokyo (JP)
- (73) Assignee: **SONY CORPORATION**, Tokyo (JP)
- (**) Term: **15 Years**
- (21) Appl. No.: **29/694,341**
- (22) Filed: **Jun. 10, 2019**
- (30) **Foreign Application Priority Data**
Feb. 15, 2019 (JP) D2019-003039
- (51) **LOC (13) Cl.** **15-99**
- (52) **U.S. Cl.**
USPC **D15/199; D23/364**
- (58) **Field of Classification Search**
USPC D15/122, 199; D21/578-583; D23/355,
D23/364, 365; D34/34, 35
CPC B01D 46/2414; B25J 5/007; B25J 11/00;
B25J 11/008; C04B 38/0009; F24F 11/30;
B62D 57/024; G06N 3/008; Y10S 901/01
See application file for complete search history.

- (56) **References Cited**
U.S. PATENT DOCUMENTS
D201,054 S * 5/1965 Roach D9/432
D274,396 S * 6/1984 Kikuchi D7/605
D291,484 S * 8/1987 Stutzer D23/364
D296,129 S * 6/1988 Goodrich D23/355
D344,791 S * 3/1994 Cuning D23/364
D570,464 S * 6/2008 Normark D23/364
D728,089 S * 4/2015 Crisa' D23/366
D732,587 S * 6/2015 Hsu D15/122
D741,465 S * 10/2015 Satou D23/364
D743,647 S * 11/2015 Heck D32/21
D748,235 S * 1/2016 Yamashita D23/364

- D749,202 S * 2/2016 Satou D23/364
- D750,209 S * 2/2016 Satou D23/364
- D766,998 S * 9/2016 Kao D15/122
- D771,164 S * 11/2016 Noorazar D15/122
- D783,793 S * 4/2017 Satou D23/364
- D788,843 S * 6/2017 Lee D18/55
- D806,843 S * 1/2018 McDonnell D23/355
- D812,663 S * 3/2018 Waters D15/199
- D822,812 S * 7/2018 Hu D23/356
- D824,368 S * 7/2018 Kacin D14/218
- D855,168 S * 7/2019 Hyon D23/356
- D862,673 S * 10/2019 Tang D23/364
- D869,626 S * 12/2019 Reisenberger D23/364
- D878,532 S * 3/2020 Shin D23/364
- D886,173 S * 6/2020 Sokuza D15/199
- D888,918 S * 6/2020 Seo D23/356
- D914,075 S * 3/2021 Sokuza D15/199
- D919,685 S * 5/2021 Fan D15/199
- D922,554 S * 6/2021 Qin D23/356
- D927,666 S * 8/2021 Shin D23/364

* cited by examiner

Primary Examiner — Patricia A Palasik
(74) *Attorney, Agent, or Firm* — Michael Best and Friedrich LLP

(57) **CLAIM**

The ornamental design for a robot, as shown and described.

DESCRIPTION

FIG. 1 is a perspective view of a robot showing my new design;
FIG. 2 is a front elevational view;
FIG. 3 is a rear elevational view thereof;
FIG. 4 is a left side elevational view thereof;
FIG. 5 is a right side elevational view thereof;
FIG. 6 is a top plan view thereof; and
FIG. 7 is a bottom plan view thereof; and,
FIG. 8 is a partially enlarged perspective view thereof along the lines 8-8 and 8'-8' of FIG. 1.

1 Claim, 5 Drawing Sheets

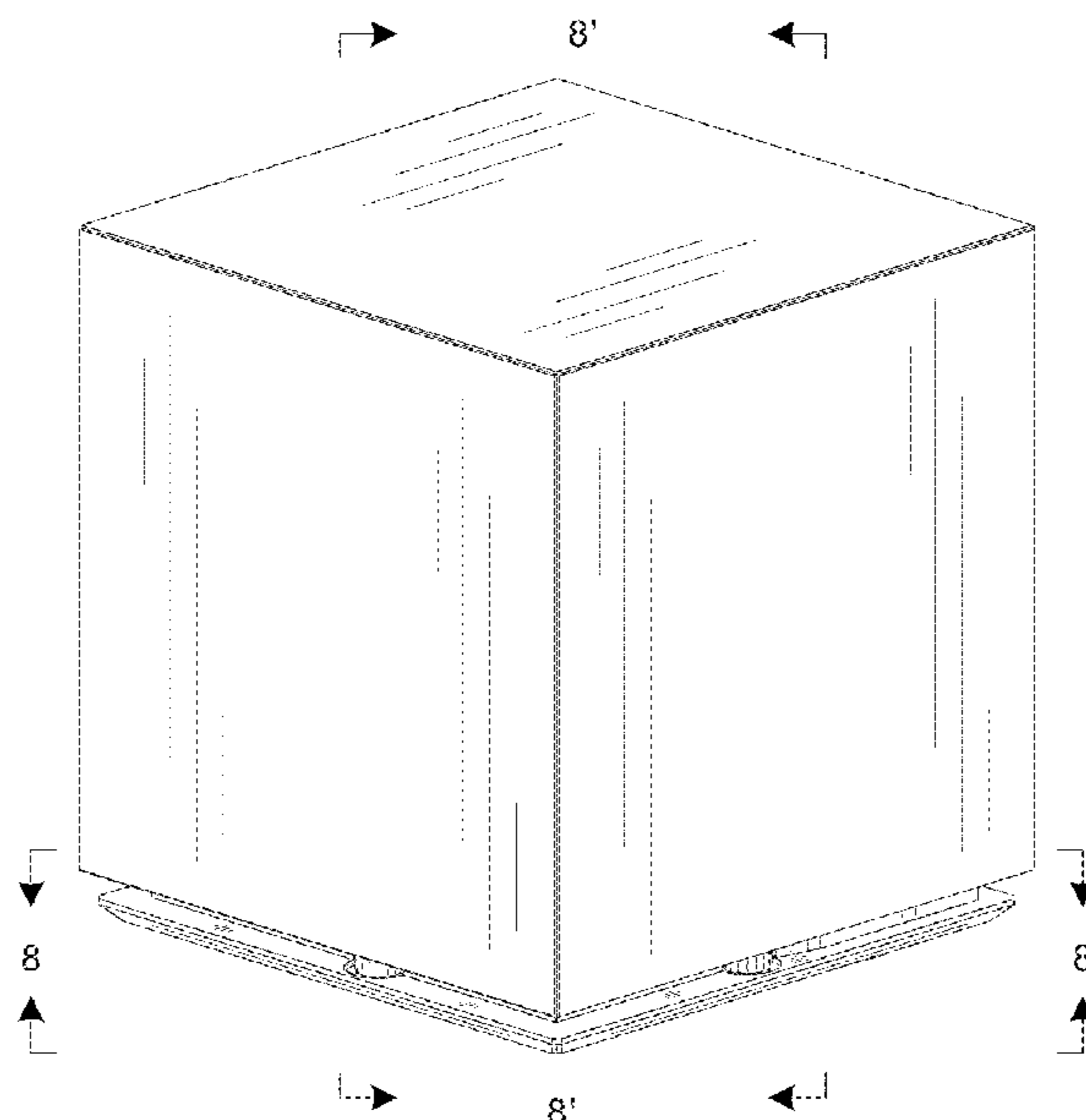


Fig. 1

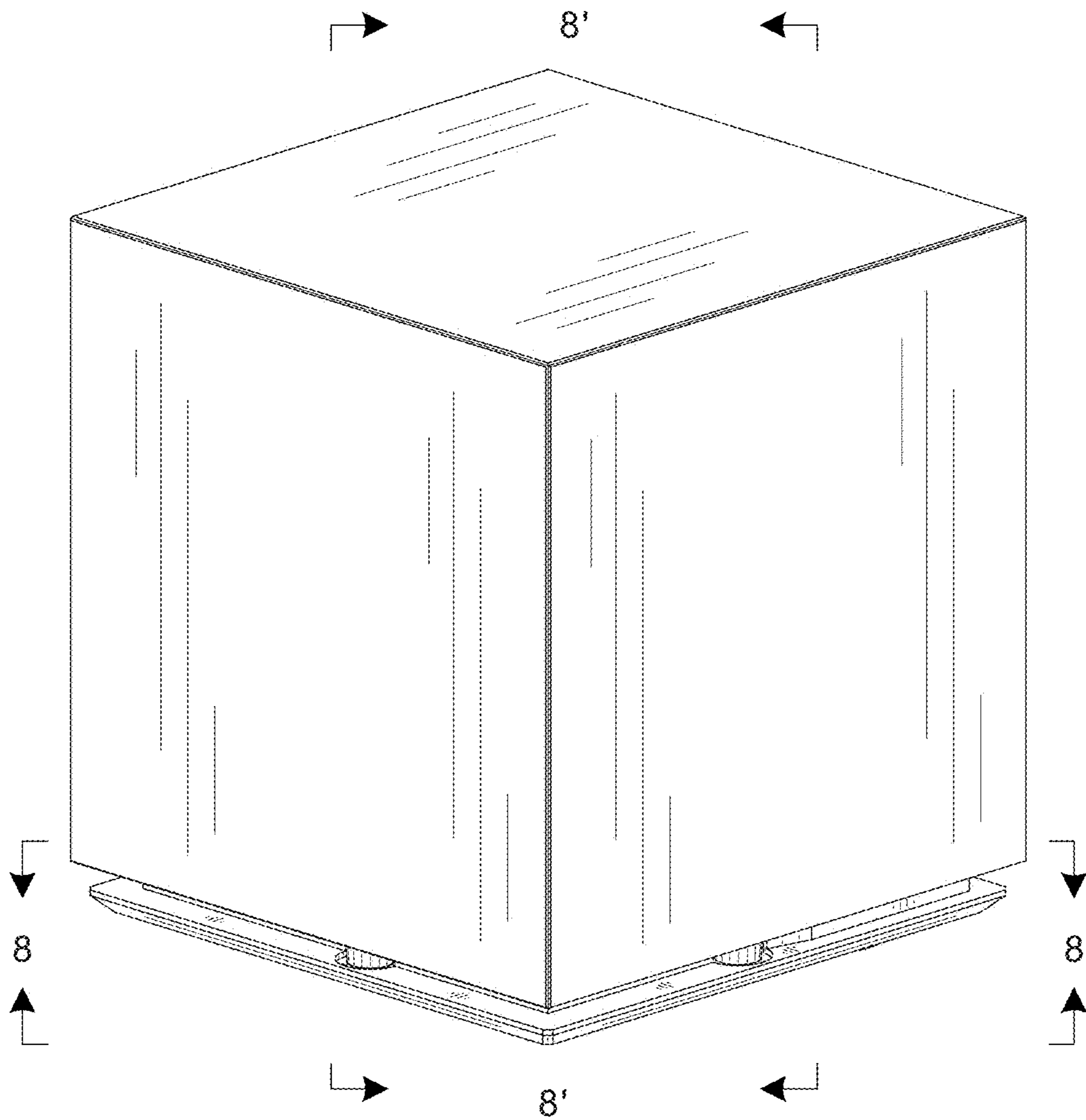


Fig.2

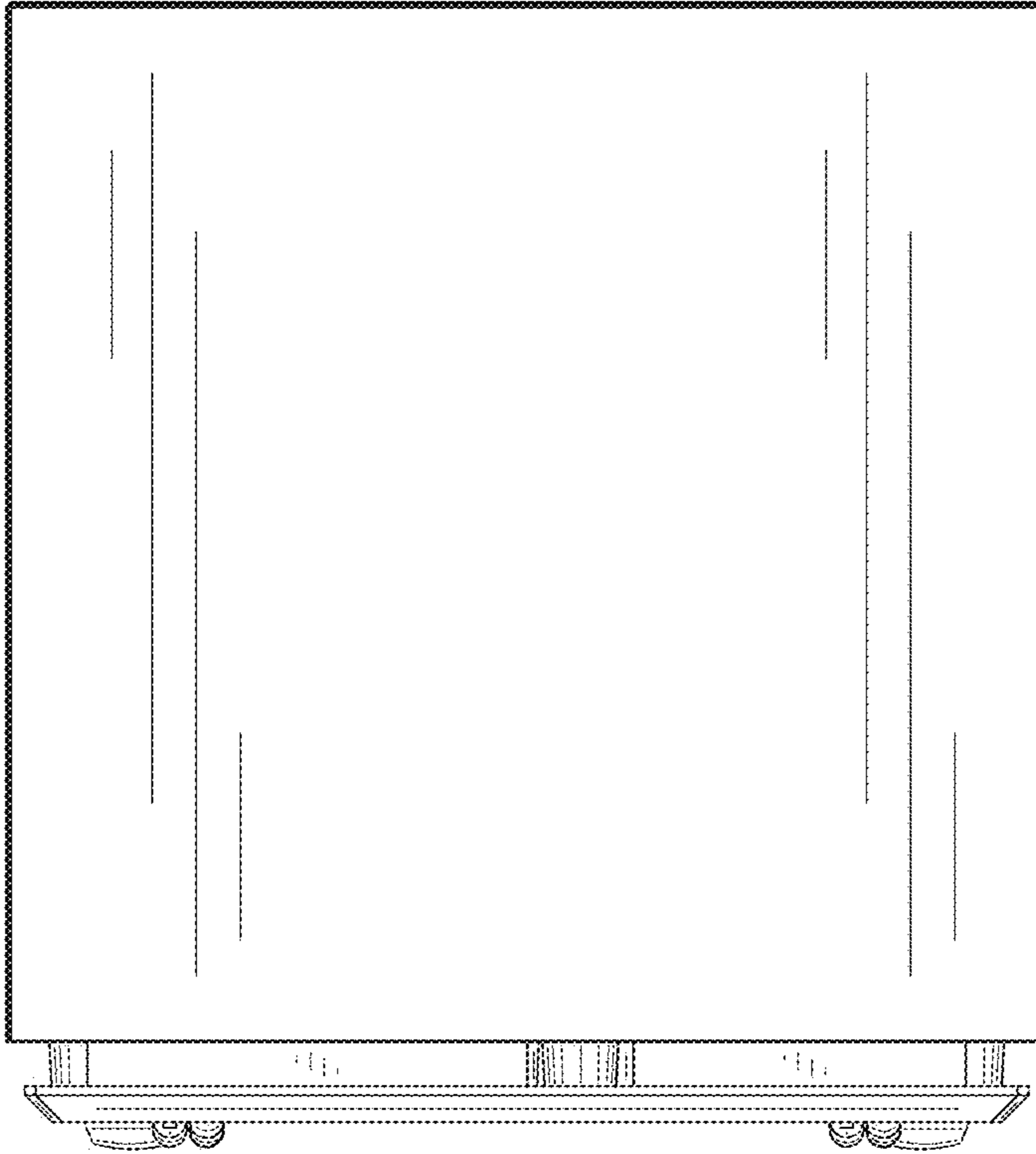


Fig.3

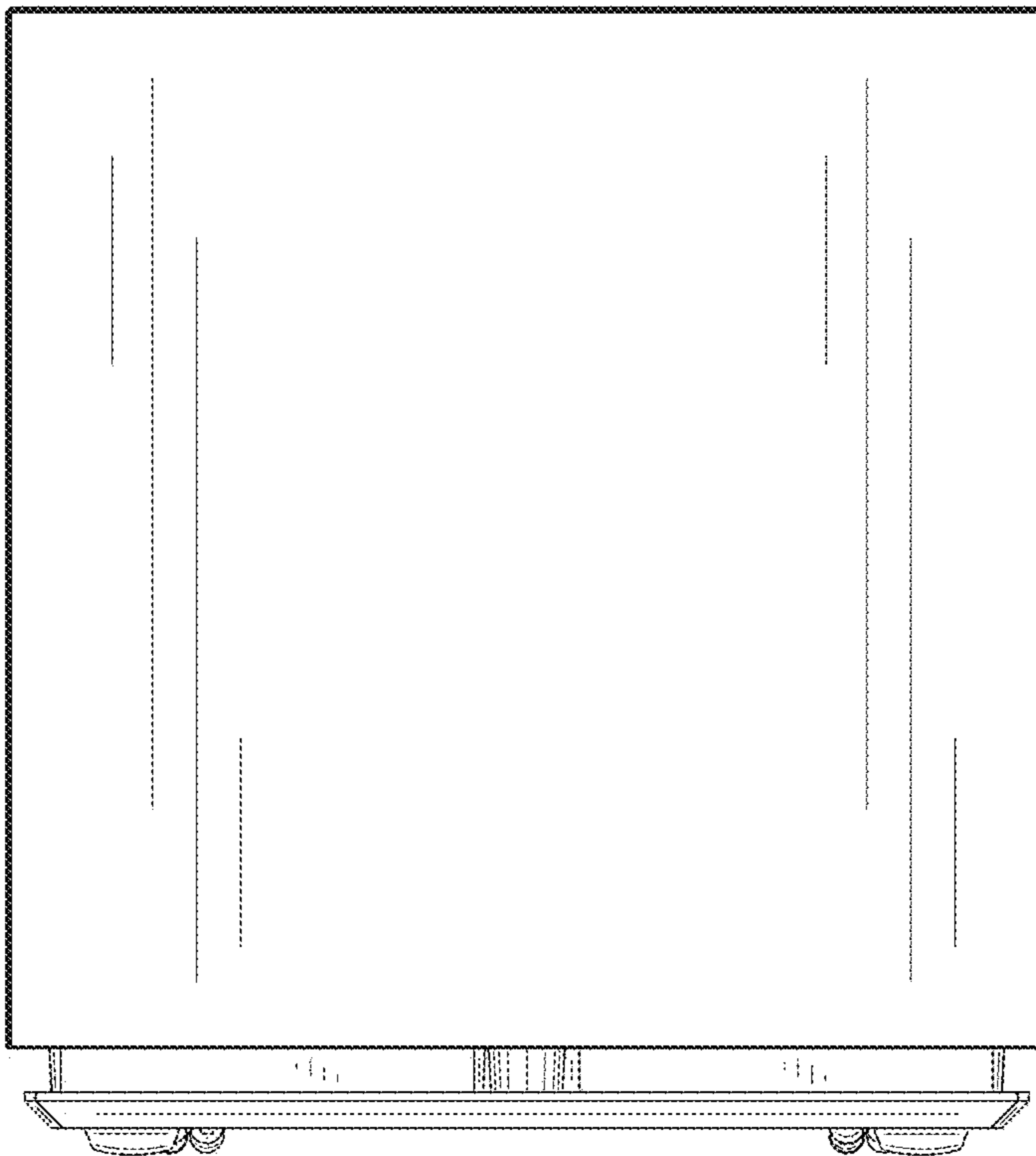


Fig.4

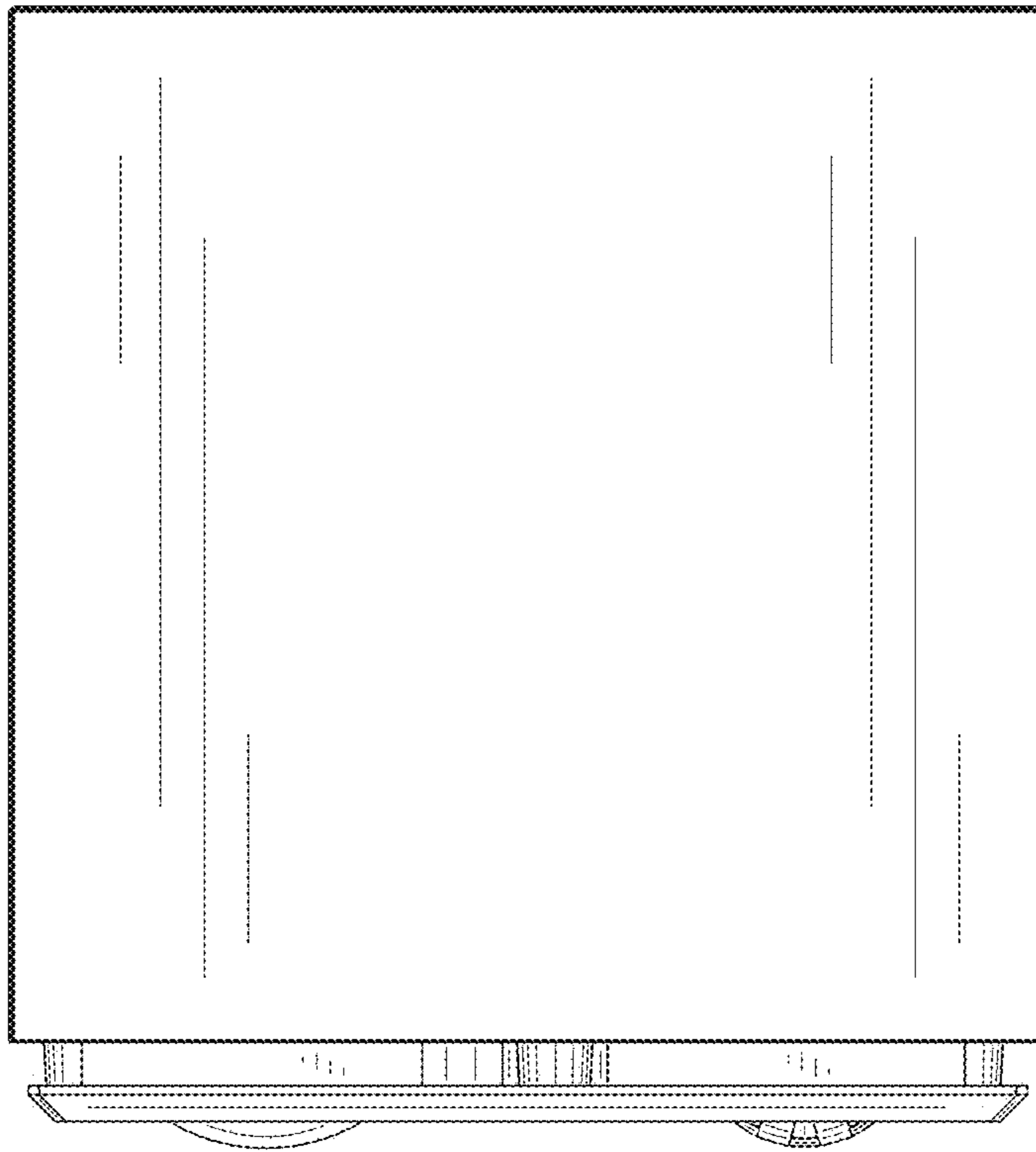


Fig.5

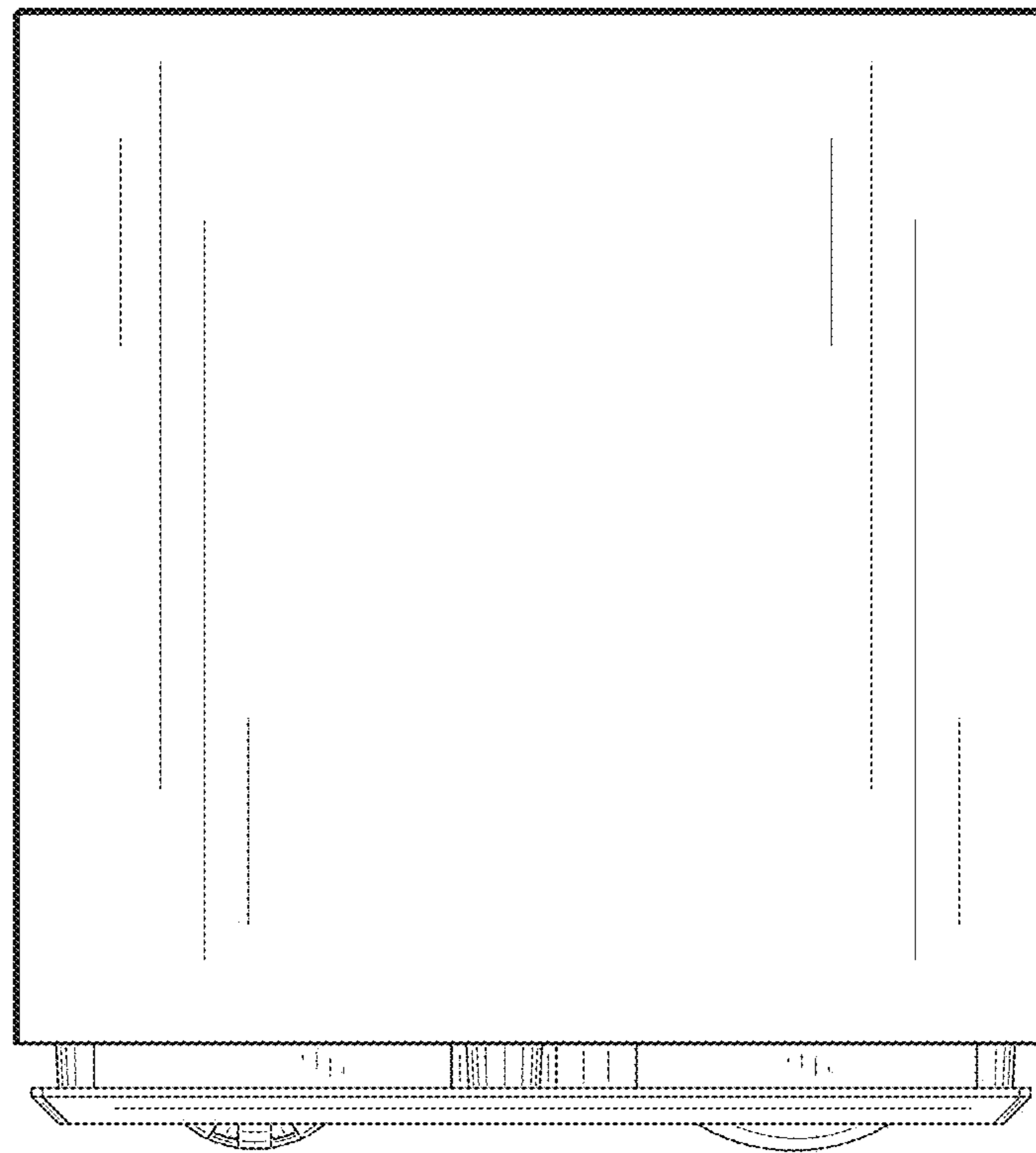


Fig.6

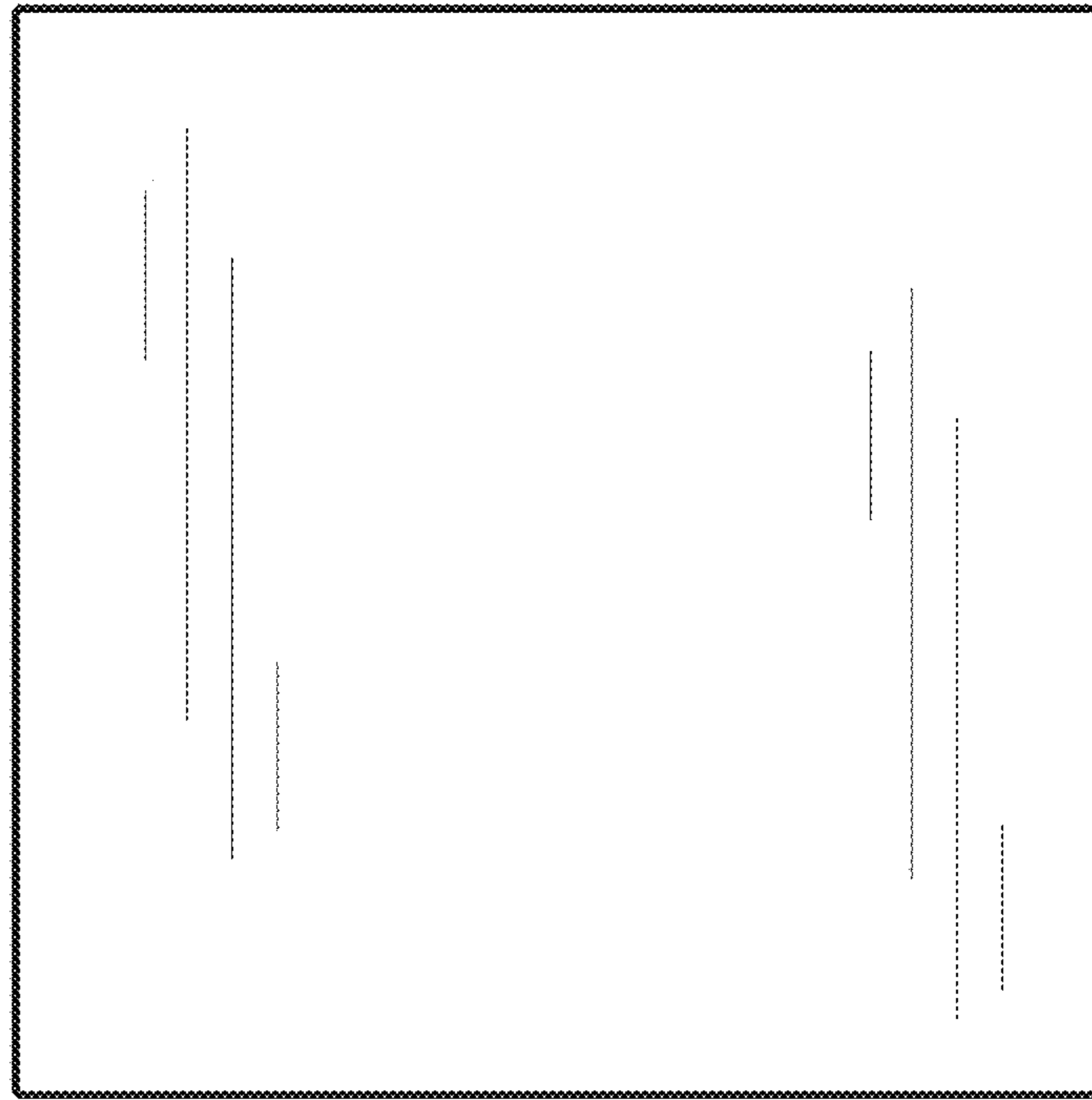


Fig.7

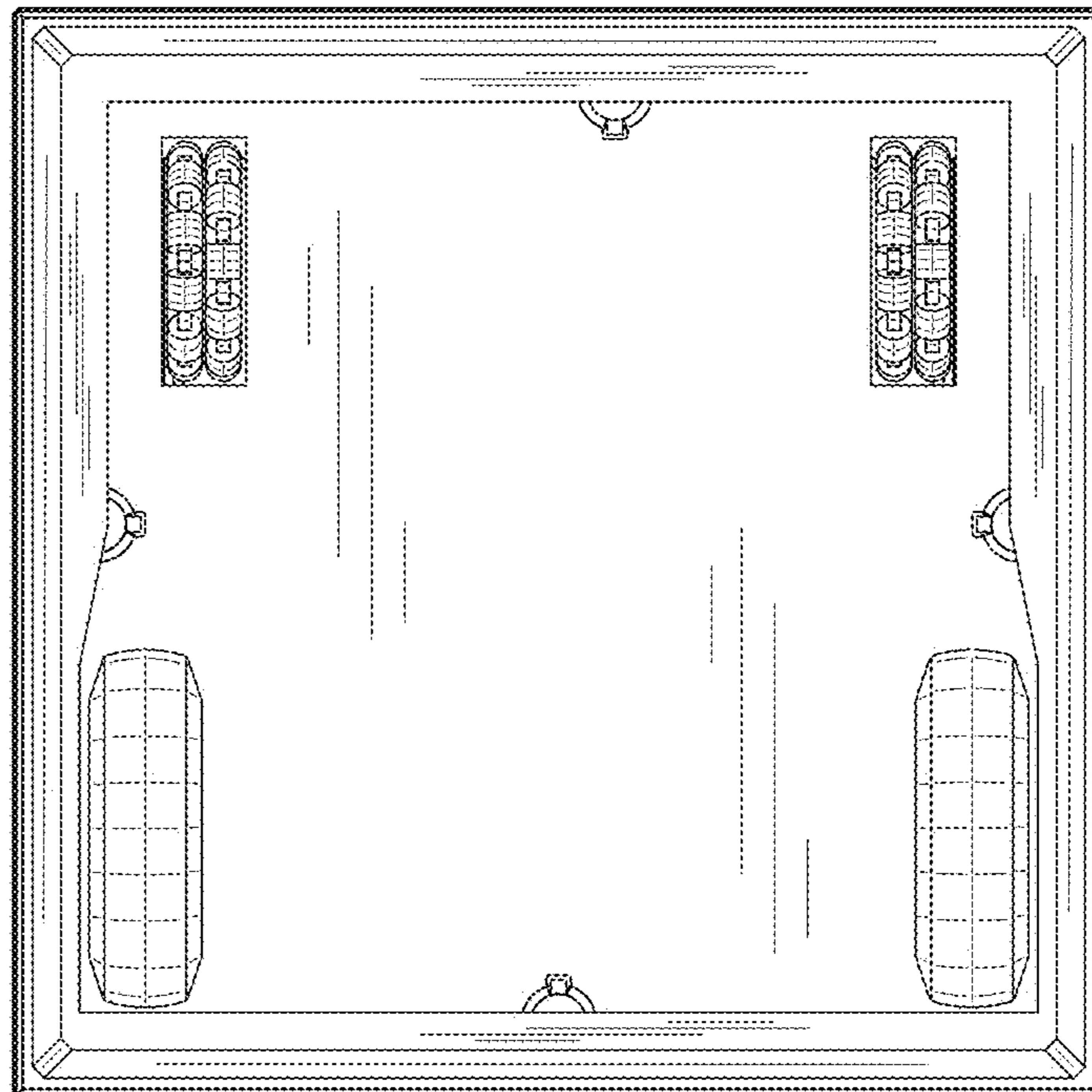


Fig.8

