



US00D944302S

(12) **United States Design Patent**
Zhou

(10) **Patent No.:** **US D944,302 S**

(45) **Date of Patent:** **** Feb. 22, 2022**

(54) **LINEAR ACTUATOR**

(71) Applicant: **LINAK A/S**, Nordborg (DK)

(72) Inventor: **King Zhou**, Shenzhen (CN)

(73) Assignee: **Linak A/S**, Nordborg (DK)

(**) Term: **15 Years**

(21) Appl. No.: **29/759,144**

(22) Filed: **Nov. 20, 2020**

(30) **Foreign Application Priority Data**

May 21, 2020 (DK) DA 2020 00052

(51) **LOC (13) Cl.** **15-99**

(52) **U.S. Cl.**
USPC **D15/148**

(58) **Field of Classification Search**
USPC D13/158, 160; D15/143, 148, 199
CPC F15B 15/00; F15B 15/12; F15B 15/065;
H02K 7/00; H02K 19/06; H02K 26/00;
H02K 33/00; H02K 33/16
See application file for complete search history.

(56) **References Cited**

U.S. PATENT DOCUMENTS

| | | | | |
|----------------|---------|------------|-------|----------------------|
| D458,284 S * | 6/2002 | Landerholm | | D15/143 |
| D577,753 S * | 9/2008 | Lund | | D15/143 |
| D595,752 S * | 7/2009 | Lin | | D15/143 |
| D595,753 S * | 7/2009 | Tseng | | D15/143 |
| D646,310 S * | 10/2011 | Lan | | D15/143 |
| D654,524 S * | 2/2012 | Iversen | | D15/199 |
| D656,975 S * | 4/2012 | Tseng | | D15/143 |
| 8,725,438 B2 * | 5/2014 | Jensen | | F16H 25/20 702/60 |
| D765,748 S * | 9/2016 | Bogelund | | D15/143 |
| D776,728 S * | 1/2017 | Wu | | D15/143 |
| D785,061 S * | 4/2017 | Gong | | D15/148 |
| D785,062 S * | 4/2017 | Gong | | D15/148 |

| | | | | |
|-----------------|---------|----------|-------|------------|
| D792,490 S * | 7/2017 | Lin | | D15/143 |
| D792,492 S * | 7/2017 | Lin | | D15/143 |
| D800,195 S * | 10/2017 | Lin | | D15/148 |
| D806,153 S * | 12/2017 | Skov | | D15/148 |
| D819,100 S * | 5/2018 | Lin | | D15/148 |
| D821,471 S * | 6/2018 | Zhuang | | D15/148 |
| 10,153,678 B2 * | 12/2018 | Sorensen | | H02K 7/081 |
| D851,147 S * | 6/2019 | Knudsen | | D15/148 |
| D852,248 S * | 6/2019 | Zhuang | | D15/148 |
| D861,052 S * | 9/2019 | Zhuang | | D15/143 |
| D865,018 S * | 10/2019 | Zhou | | D15/148 |
| D865,019 S * | 10/2019 | Zhou | | D15/148 |
| 10,432,062 B2 * | 10/2019 | Sorensen | | H02K 7/06 |

(Continued)

OTHER PUBLICATIONS

User Manual for LINAK Actuator LA18 system (2 pgs.), with date of Nov. 2015.

(Continued)

Primary Examiner — Michael C Stout
Assistant Examiner — Fritzgerald L Butac
(74) *Attorney, Agent, or Firm* — Dykema Gossett PLLC

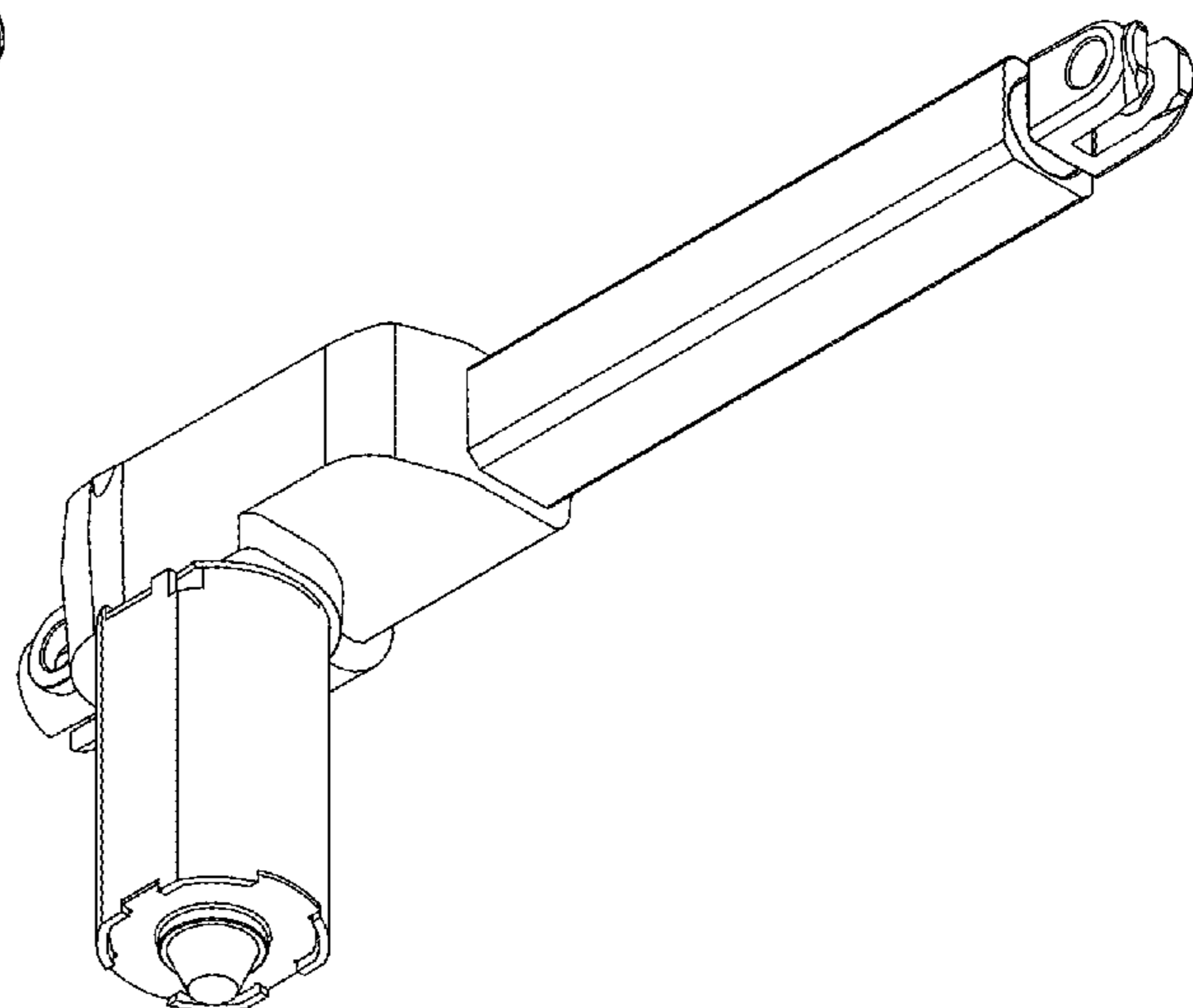
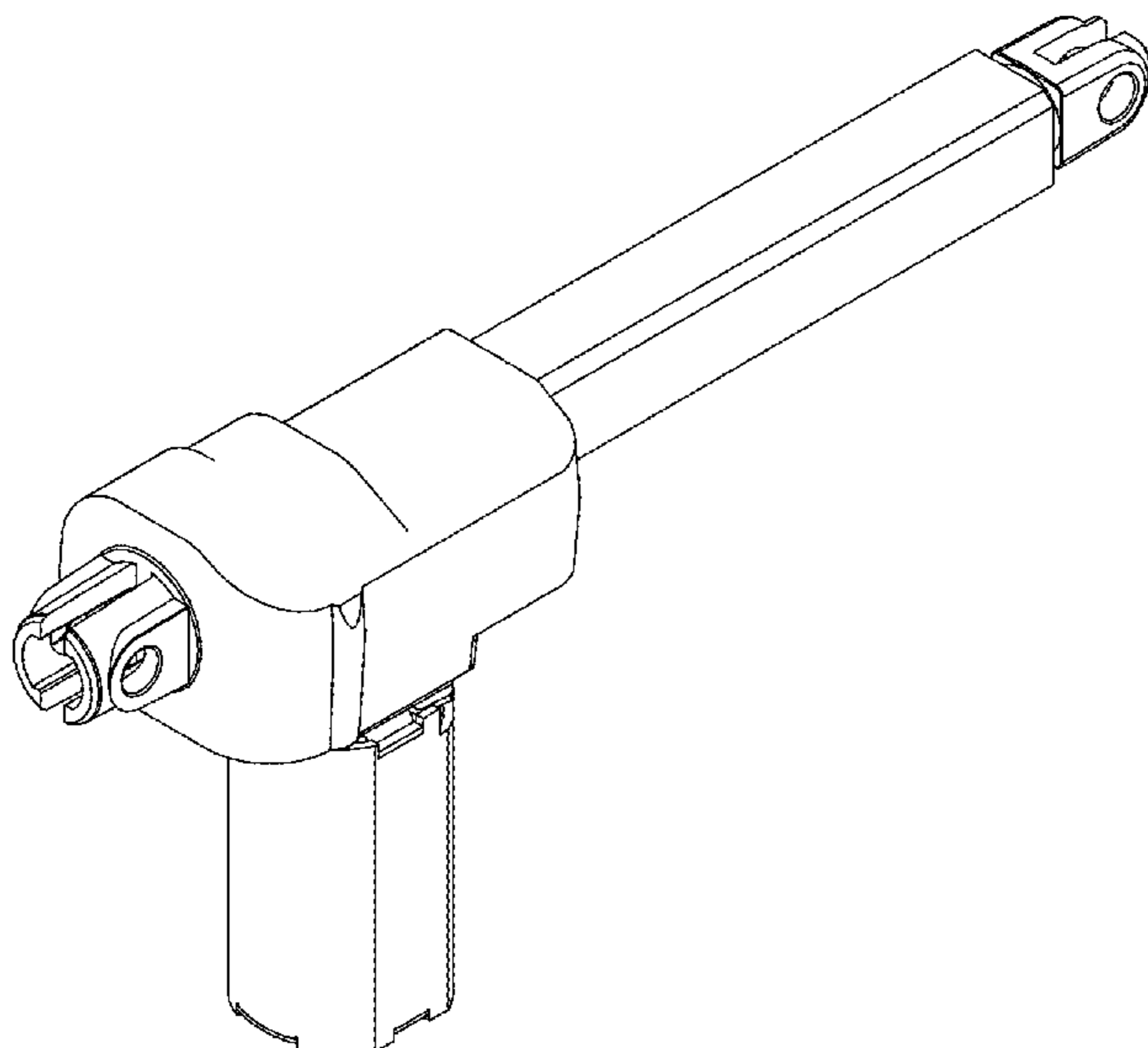
(57) **CLAIM**

The ornamental design for a linear actuator, as shown and described.

DESCRIPTION

FIG. 1 is a top, rear, and left side perspective view a linear actuator showing my new design;
FIG. 2 is a bottom, front, and left side perspective view thereof;
FIG. 3 is a left side elevational view thereof;
FIG. 4 is a right side elevational view thereof;
FIG. 5 is a top view thereof;
FIG. 6 is a bottom view thereof;
FIG. 7 is a front end elevational view thereof; and,
FIG. 8 is a rear end elevational view thereof.

1 Claim, 8 Drawing Sheets



(56)

References Cited

U.S. PATENT DOCUMENTS

10,436,301 B2 * 10/2019 Sorensen H02K 7/102
10,516,318 B2 * 12/2019 Iversen H02K 11/21
D919,683 S * 5/2021 Zhuang D15/148
D923,068 S * 6/2021 Chen D15/143
D923,677 S * 6/2021 Zhuang D15/143
11,035,446 B2 * 6/2021 Mengel A61G 7/018
D925,631 S * 7/2021 Knudsen D15/148
D925,632 S * 7/2021 Knudsen D15/148
11,060,592 B2 * 7/2021 Schewe F16H 25/20

OTHER PUBLICATIONS

Product Brochure for TiMotion TA4 Series Linear Actuator (2 pgs.),
with date of Nov. 6, 2014.
Installation Instructions for DewertOkin MICRODRIVE 3 (5 pgs.),
with date of Jun. 13, 2019.

* cited by examiner

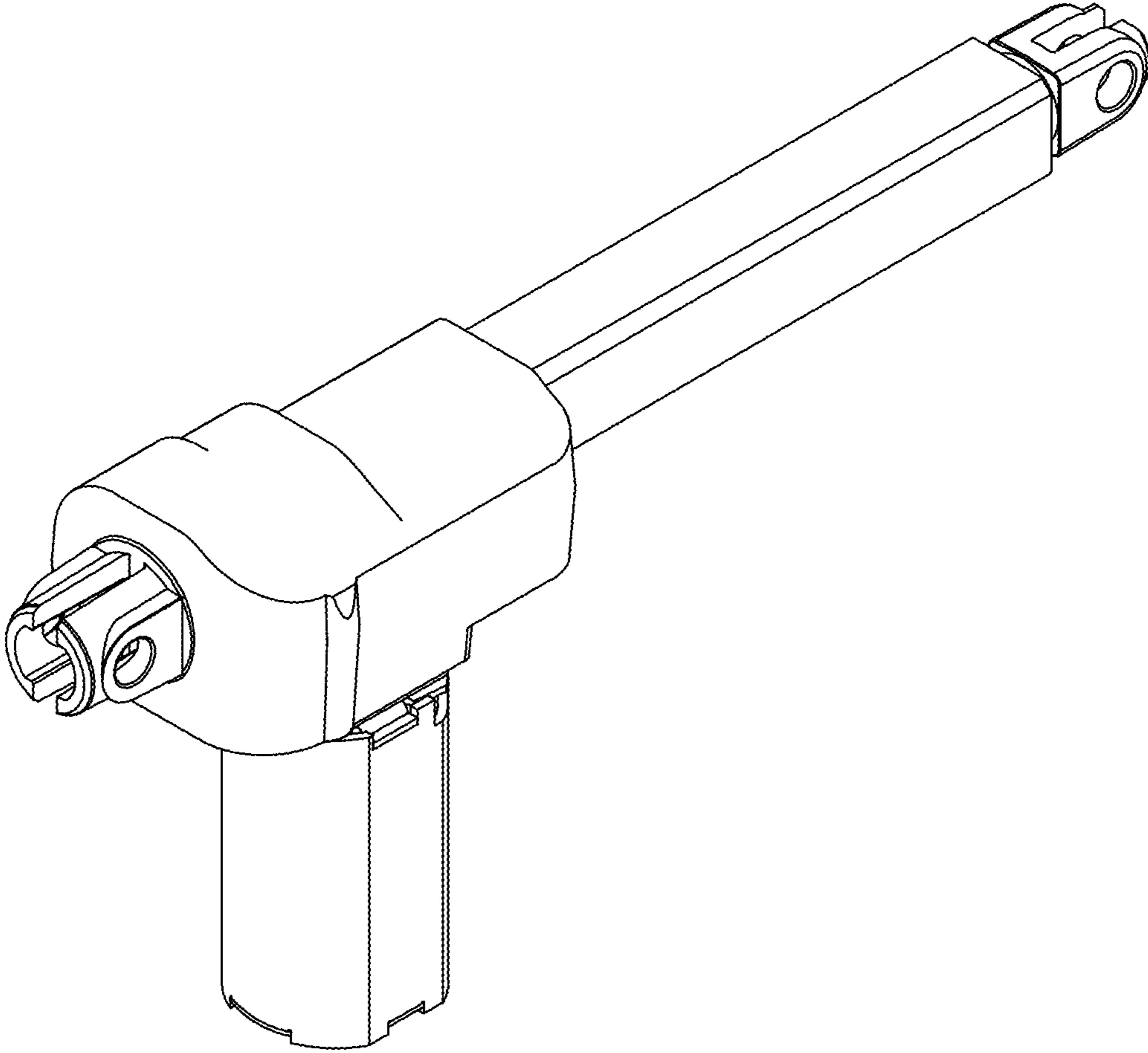


FIG. 1

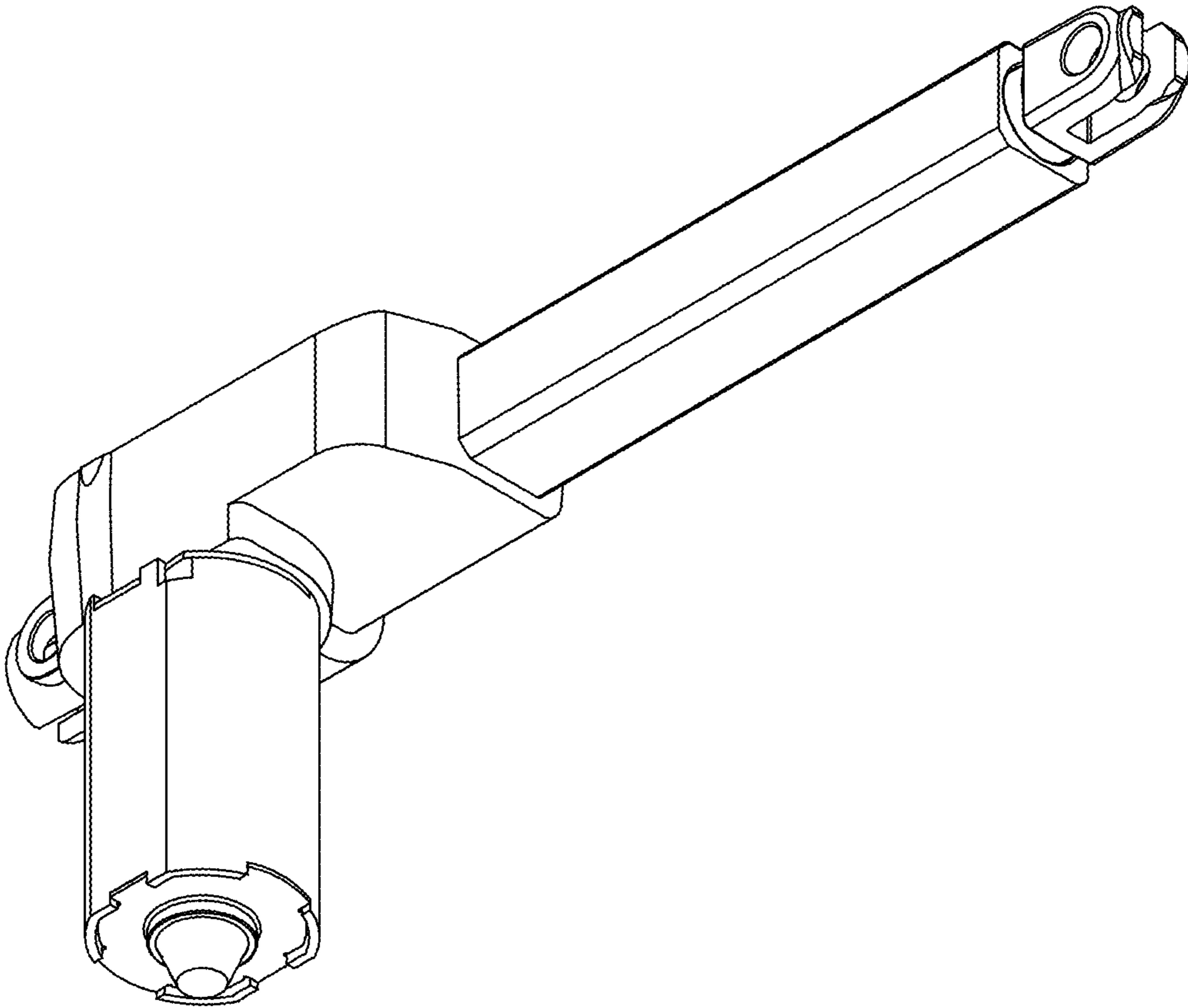


FIG. 2

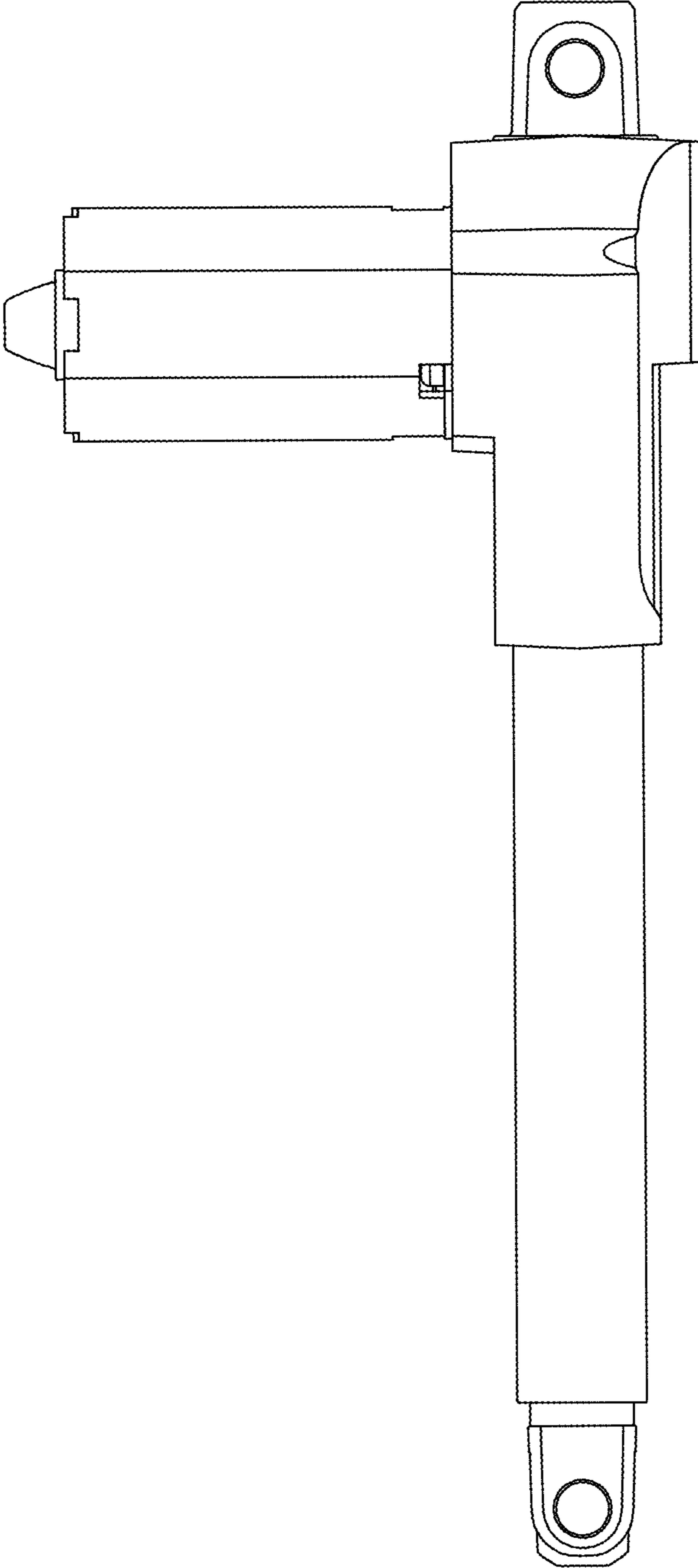


FIG. 3

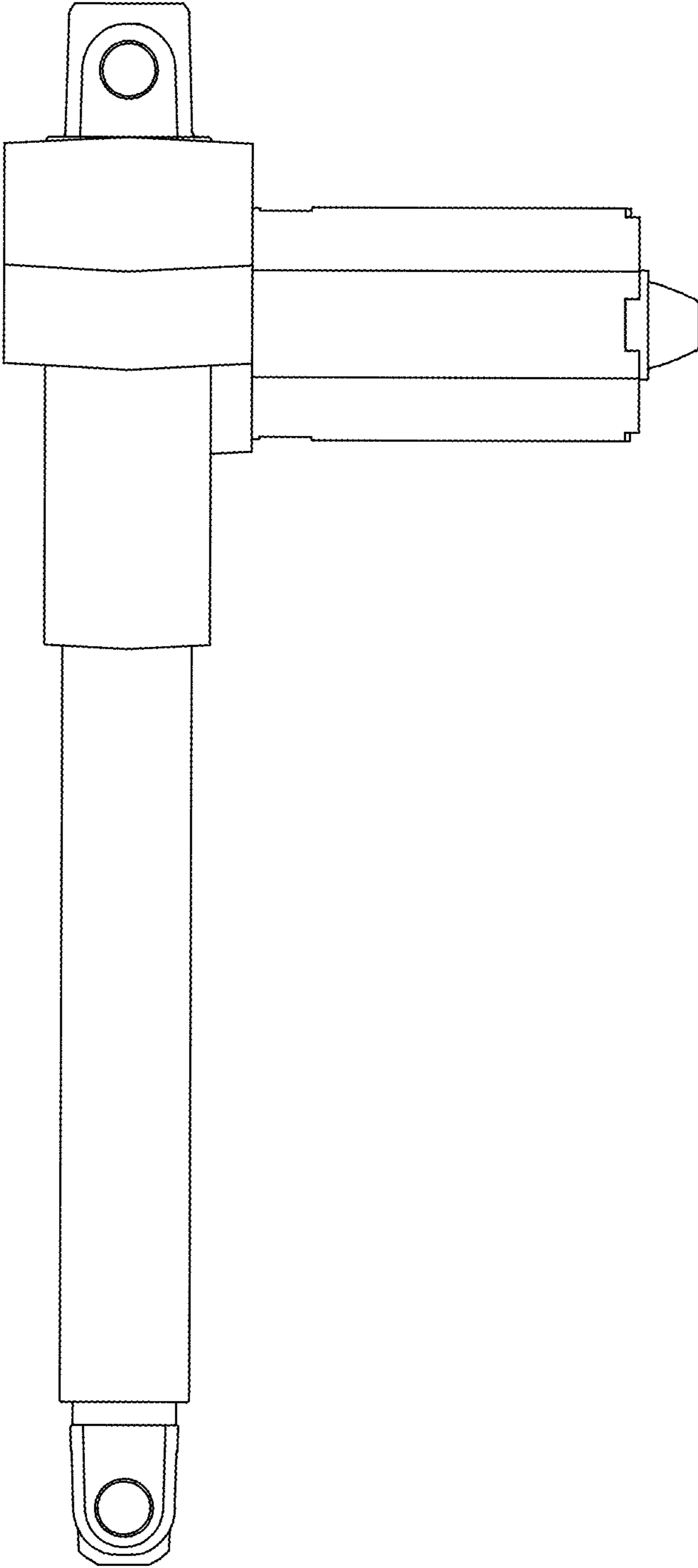


FIG. 4

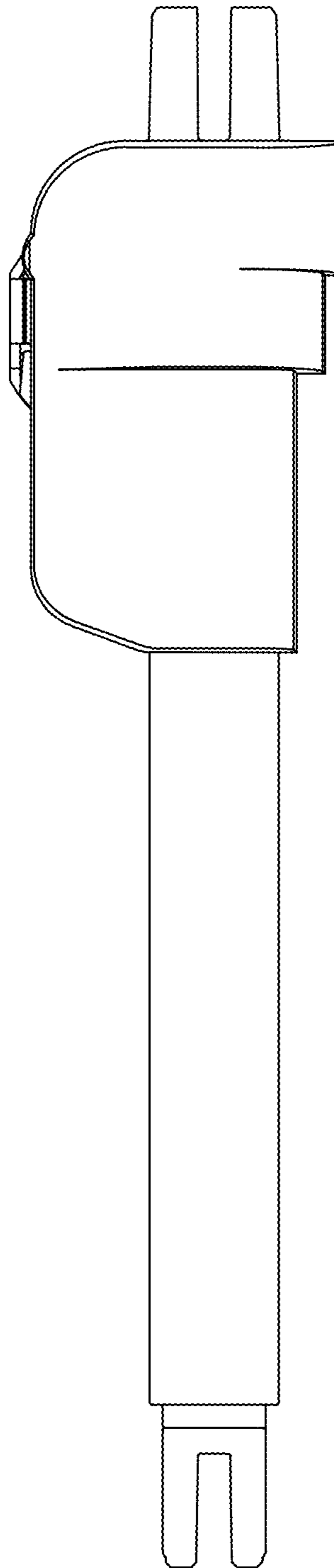


FIG. 5

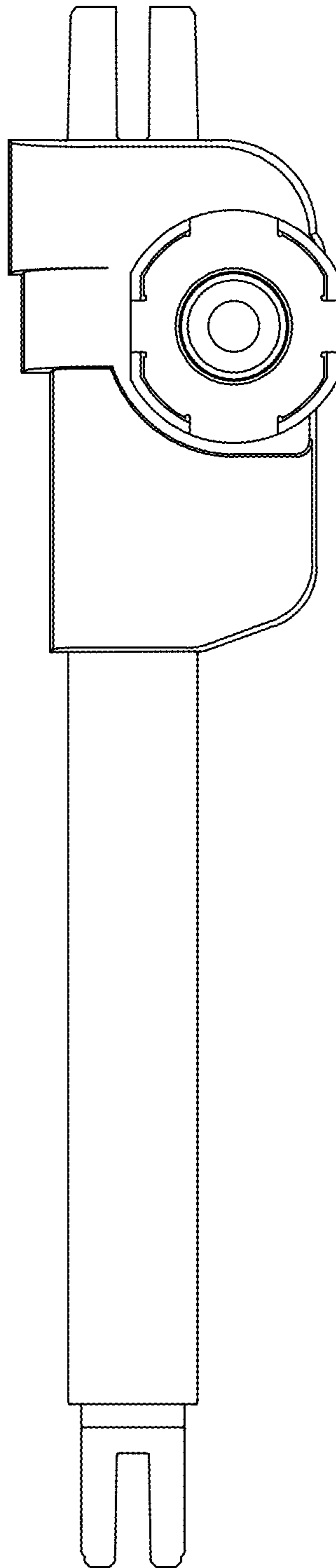


FIG. 6

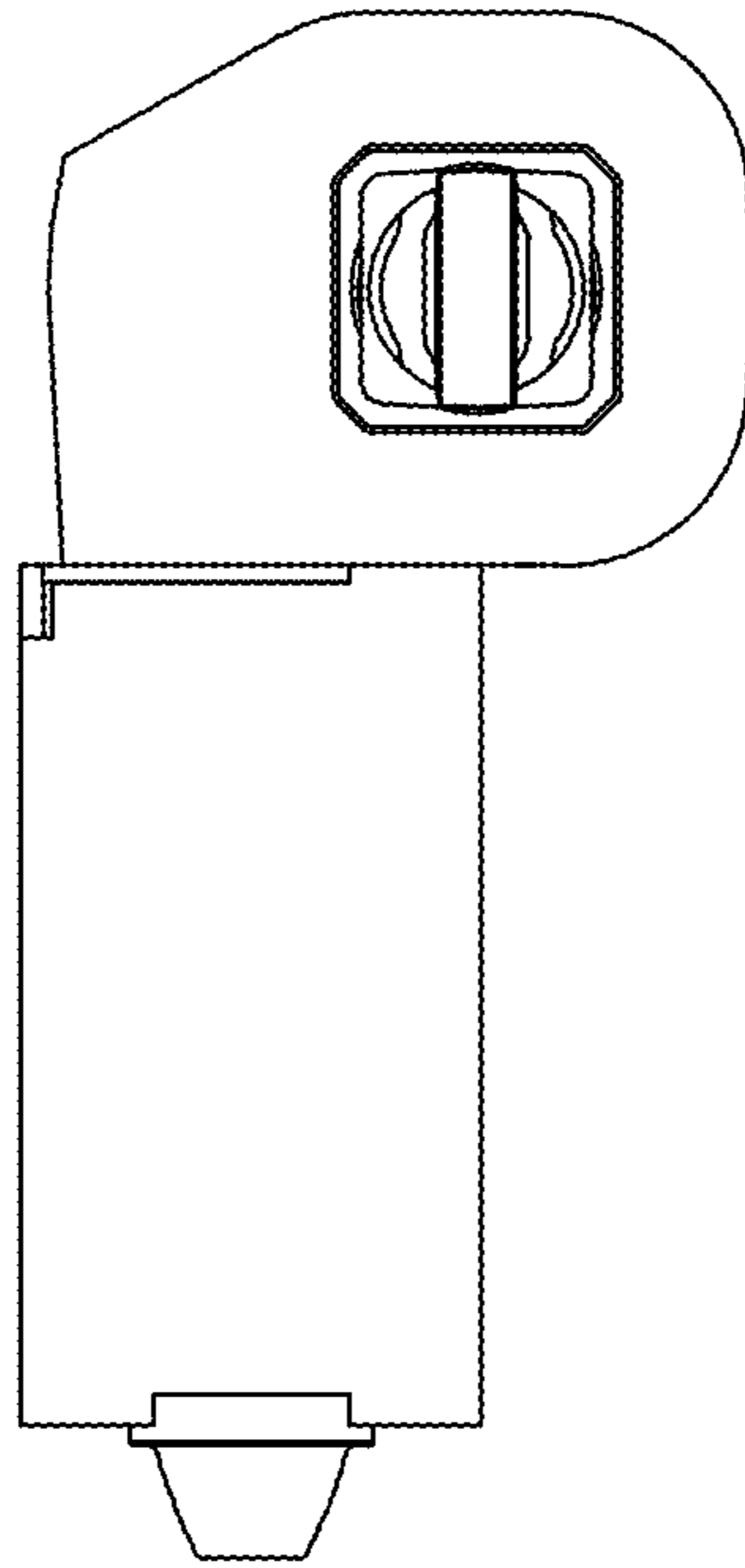


FIG. 7

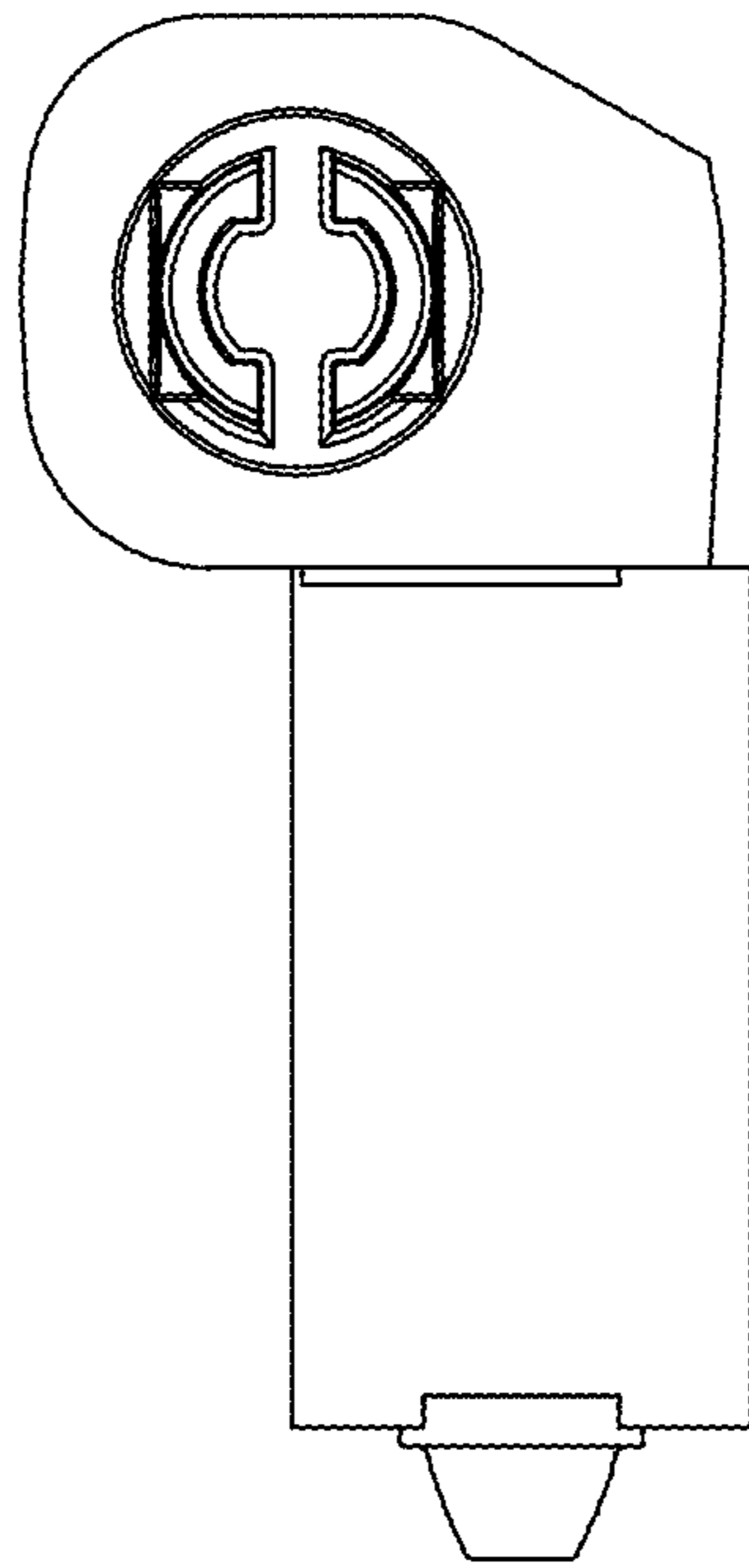


FIG. 8