

US00D944299S

(12) **United States Design Patent** (10) **Patent No.:** **US D944,299 S**  
**Astle et al.** (45) **Date of Patent:** **\*\* Feb. 22, 2022**

(54) **COOLER**

(71) Applicant: **LIFETIME PRODUCTS, INC.**,  
Clearfield, UT (US)

(72) Inventors: **Robert Astle**, Clearfield, UT (US);  
**Carl Stanford**, Clearfield, UT (US);  
**Allen Keetch**, Clearfield, UT (US)

(73) Assignee: **LIFETIME PRODUCTS, INC.**,  
Clearfield, UT (US)

(\*\*) Term: **15 Years**

(21) Appl. No.: **29/688,014**

(22) Filed: **Apr. 17, 2019**

(51) **LOC (13) Cl.** ..... **15-07**

(52) **U.S. Cl.**  
USPC ..... **D15/79**

(58) **Field of Classification Search**  
USPC ..... D15/79-91; D7/603-608; D3/272-274  
CPC ..... F25D 17/02; F25D 11/003; F25D 19/003;  
F25D 19/02; F25D 21/04; F25D 2201/14;  
F25D 2331/803; F25D 2331/805; F25D  
23/006; F25D 23/028; F25D 23/065;  
F25D 23/066; F25D 23/085; F25D  
2400/20; F25D 2400/28; F25D 2400/38;  
F25D 2700/16; F25D 29/00; F25D  
29/003; F25D 29/005; F25D 31/006;  
F25D 31/007

See application file for complete search history.

(56) **References Cited**

**U.S. PATENT DOCUMENTS**

D325,323 S	4/1992	Kahl	
D354,419 S	1/1995	Kahl	
D374,772 S	10/1996	Hotaling	
D429,606 S	8/2000	Israel	
D429,966 S	8/2000	Israel	
D451,765 S	12/2001	Israel	
D497,783 S	* 11/2004	Krieger	D7/605
D499,612 S	* 12/2004	Smith, Sr.	D14/168
D527,225 S	* 8/2006	Krieger	D7/605

D545,633 S	7/2007	Hussaini
D566,479 S	4/2008	Kabalin
D652,262 S	1/2012	Yang
8,356,712 B2	1/2013	Piazza, Jr.
D712,720 S	9/2014	Seiders
D712,721 S	9/2014	Seiders
D712,722 S	9/2014	Seiders
D712,723 S	9/2014	Seiders
D714,125 S	9/2014	Seiders
8,887,515 B2	11/2014	Patstone
8,910,819 B2	12/2014	Seiders
D722,474 S	2/2015	Seiders
D722,475 S	2/2015	Seiders
9,187,232 B2	11/2015	Seiders

(Continued)

**OTHER PUBLICATIONS**

U.S. Appl. No. 29/652,414, filed Aug. 10, 2020.  
U.S. Appl. No. 15/885,657, filed Jan. 31, 2018, Stanford et al.  
U.S. Appl. No. 29/644,911, filed Apr. 20, 2018, Stanford et al.  
U.S. Appl. No. 29/644,448, filed Apr. 17, 2018, Stanford et al.  
U.S. Appl. No. 29/677,028, filed Jan. 16, 2019, Astle et al.  
U.S. Appl. No. 29/677,025, filed Jan. 16, 2019, Astle et al.  
U.S. Appl. No. 29/713,735, filed Nov. 18, 2018, Astle et al.

(Continued)

*Primary Examiner* — Khawaja Anwar  
(74) *Attorney, Agent, or Firm* — Maschoff Brennan

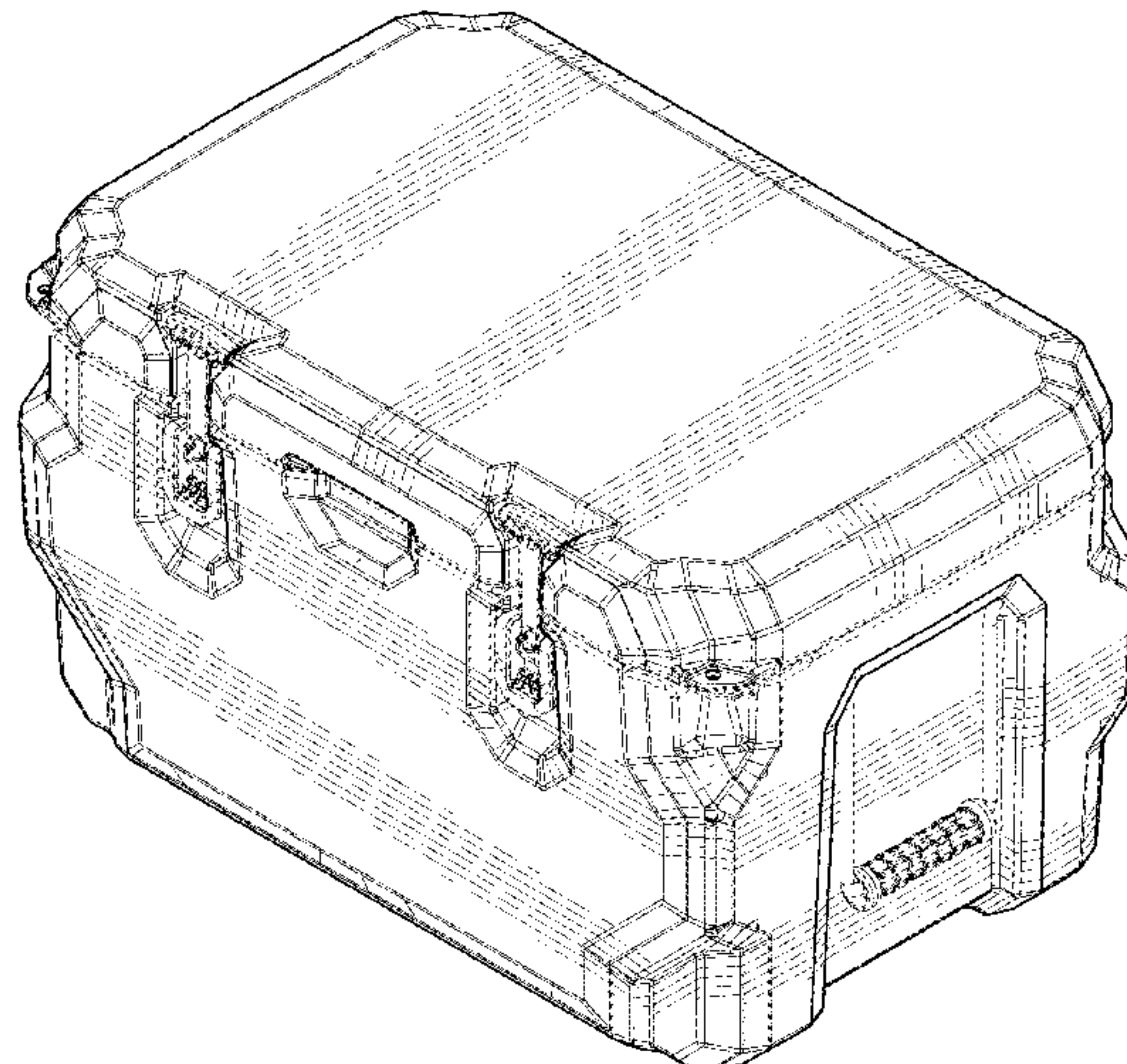
(57) **CLAIM**

The ornamental design for a cooler, as shown and described.

**DESCRIPTION**

FIG. 1 is an upper perspective view of an embodiment of a cooler;  
FIG. 2 is a lower perspective view of the cooler;  
FIG. 3 is a front view of the cooler;  
FIG. 4 is a rear view of the cooler;  
FIG. 5 is a left side view of the cooler;  
FIG. 6 is a right side view of the cooler;  
FIG. 7 is a top view of the cooler; and,  
FIG. 8 is a bottom view of the cooler.  
The broken lines form no part of the claimed design.

**1 Claim, 8 Drawing Sheets**



(56)

References Cited

OTHER PUBLICATIONS

U.S. PATENT DOCUMENTS

9,694,521	B2	7/2017	French et al.	
D806,483	S	1/2018	Stanford et al.	
D816,425	S	5/2018	Stanford et al.	
D830,429	S *	10/2018	Brown .....	D15/79
D851,462	S	6/2019	Stanford	
10,605,515	B2	3/2020	Stanford	
D891,193	S	7/2020	Stanford	
D891,194	S	7/2020	Stanford	
D892,565	S	8/2020	Astle	
D904,129	S	12/2020	Astle	
D906,377	S *	12/2020	Tang .....	D15/79
D922,454	S *	6/2021	Tang .....	D15/79
D930,440	S	9/2021	Astle et al.	
2015/0060470	A1	3/2015	Seiders	
2015/0225164	A1	8/2015	Seiders et al.	
2015/0322698	A1	11/2015	Seiders	
2015/0353263	A1	12/2015	Seiders et al.	
2016/0236849	A1	8/2016	Seiders et al.	
2016/0257479	A1	9/2016	Seiders et al.	
2020/0132356	A1 *	4/2020	Tang .....	F25D 11/00
2021/0018250	A1 *	1/2021	Tang .....	F25B 27/00

U.S. Appl. No. 29/744,331, filed Jul. 28, 2020.  
 U.S. Appl. No. 29/744,333, filed Jul. 28, 2020.  
 U.S. Appl. No. 29/730,693, filed Apr. 7, 2020.  
 U.S. Appl. No. 29/652,414, Restriction Requirement dated Feb. 2, 2021.  
 U.S. Appl. No. 29/744,333, Restriction Requirement dated Feb. 2, 2021.  
 U.S. Appl. No. 29/744,331, Restriction Requirement dated Feb. 2, 2021.  
 U.S. Appl. No. 29/585,896, filed Nov. 29, 2016, Stanford et al.  
 Notice of Allowance from U.S. Appl. No. 29/585,896, dated Oct. 18, 2017.  
 U.S. Appl. No. 29/644,909, filed Apr. 20, 2018, Stanford et al.  
 U.S. Appl. No. 29/602,023, filed Apr. 27, 2017, Stanford et al.  
 Notice of Allowance from U.S. Appl. No. 29/602,023, dated Mar. 29, 2018.  
 Notice of Allowance from U.S. Appl. No. 29/602,023, dated Mar. 1, 2018.  
 U.S. Appl. No. 29/800,630, filed Jul. 22, 2021.

\* cited by examiner



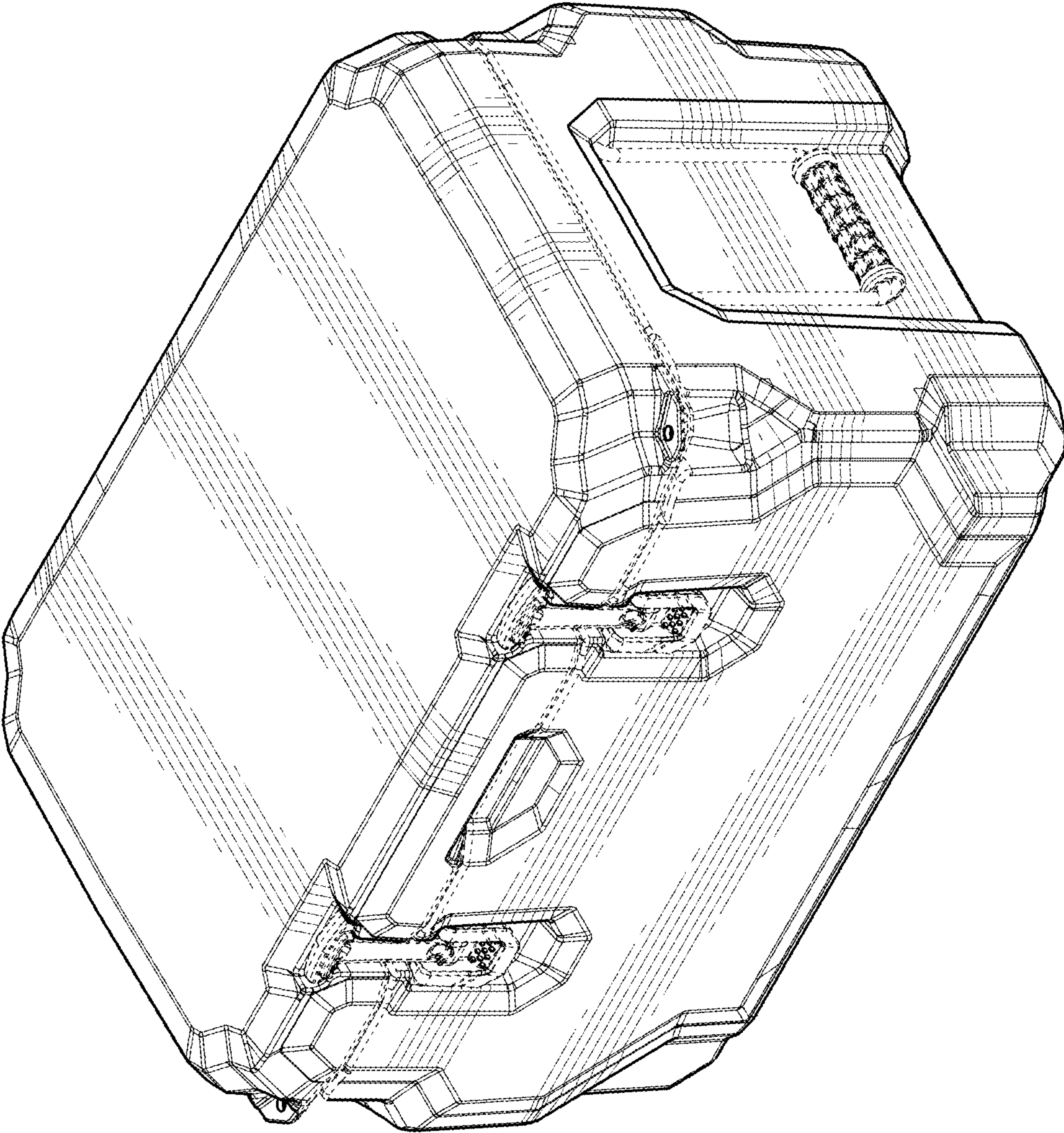


FIG. 1

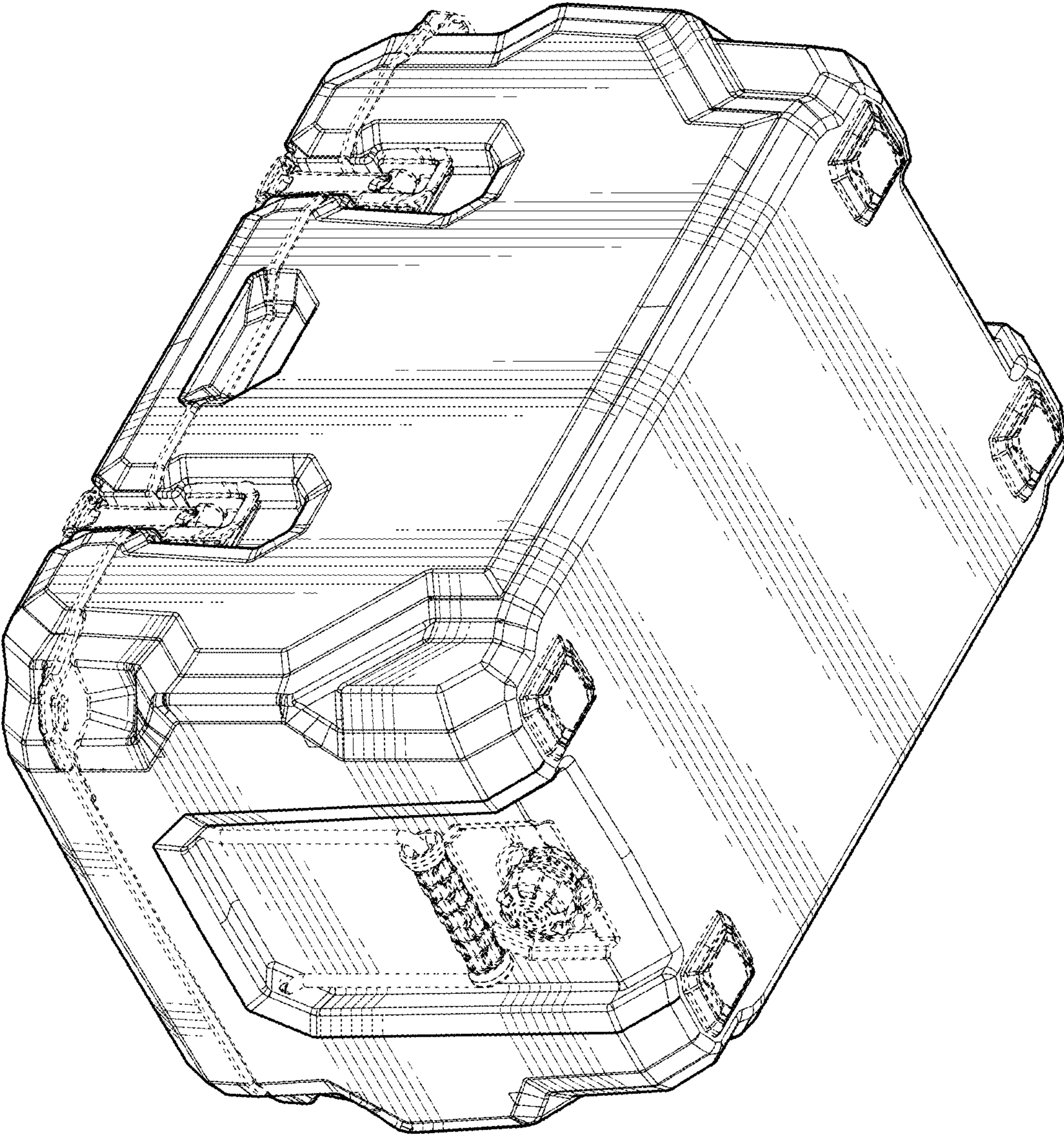


FIG. 2



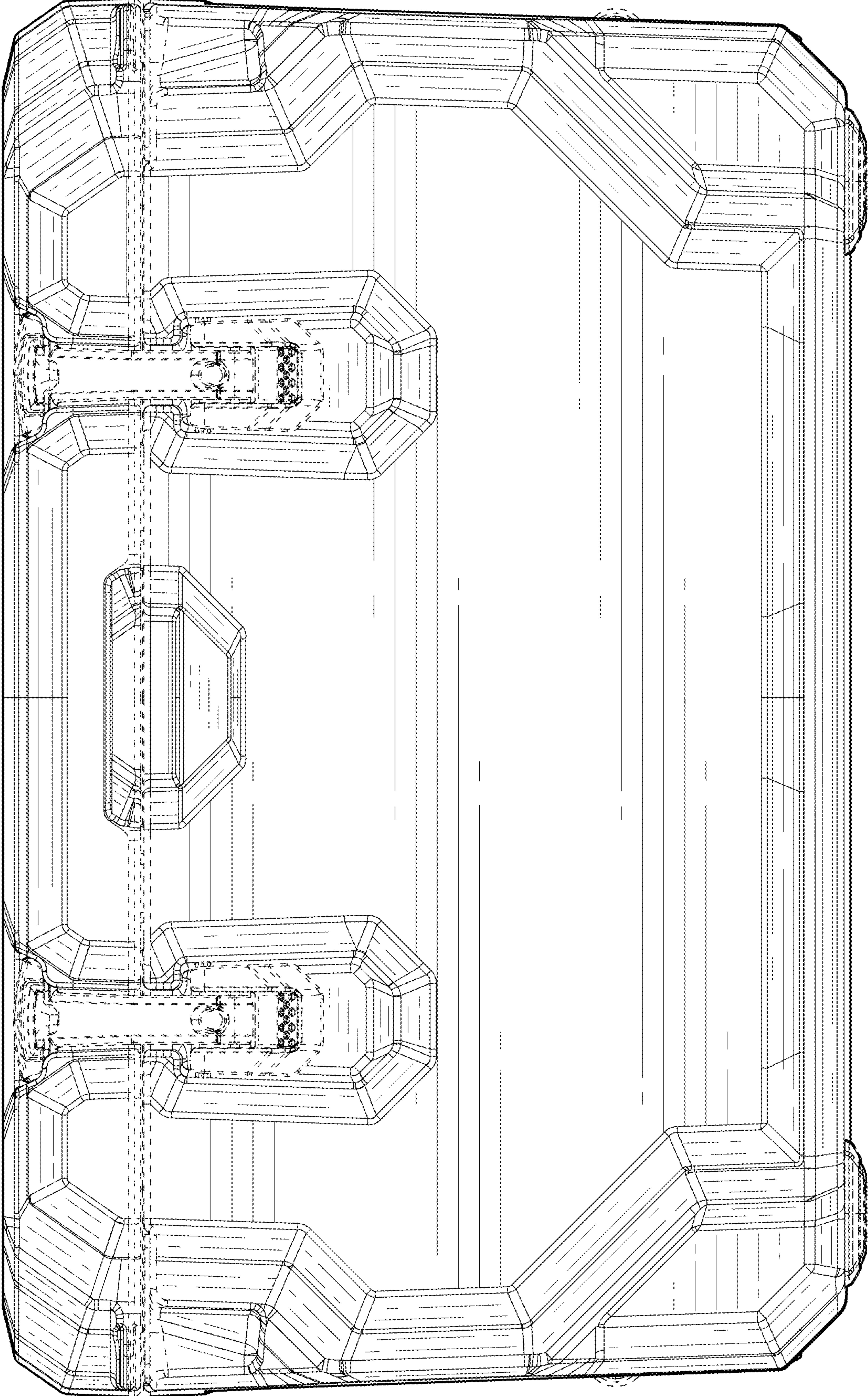


FIG. 3



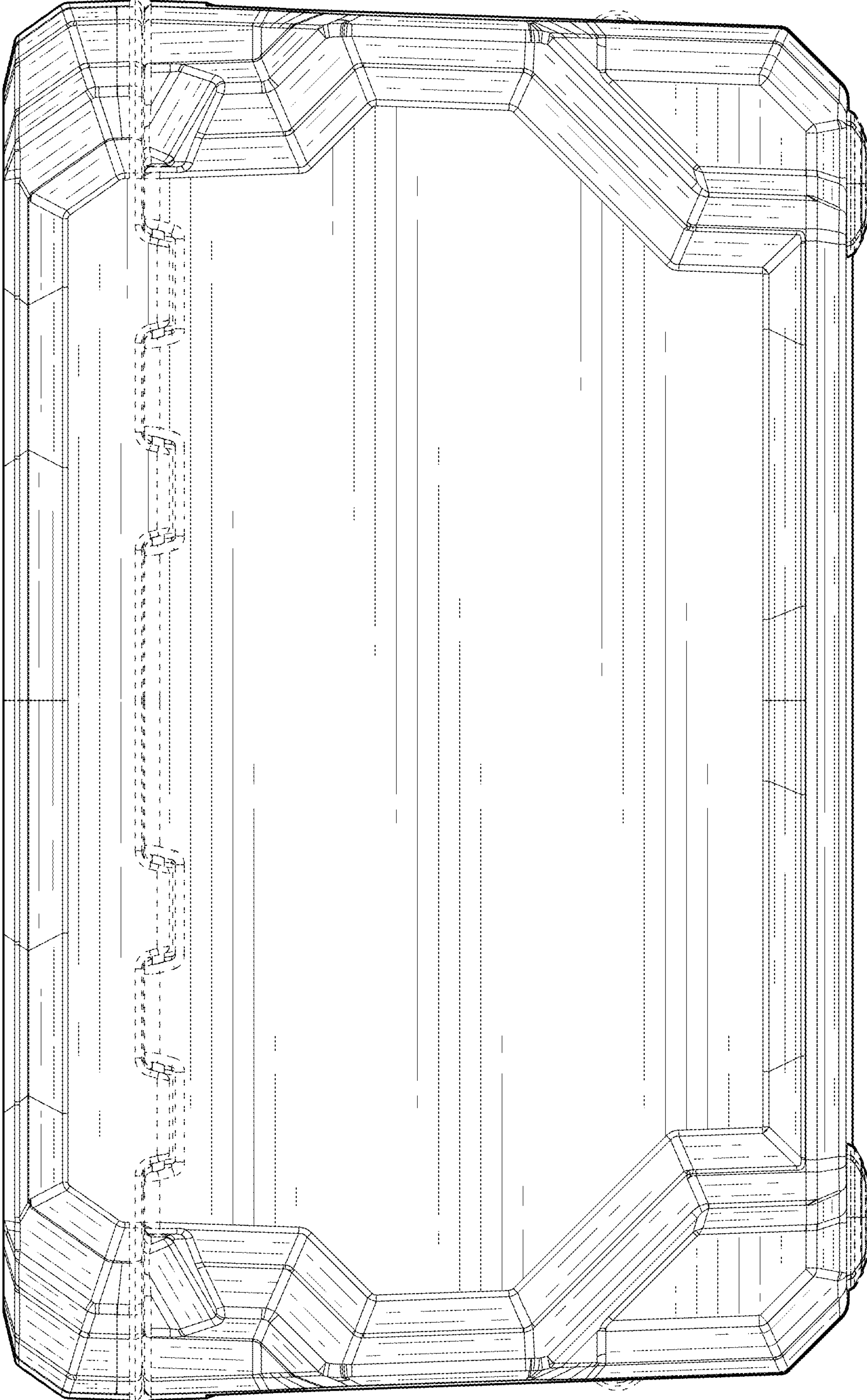


FIG. 4

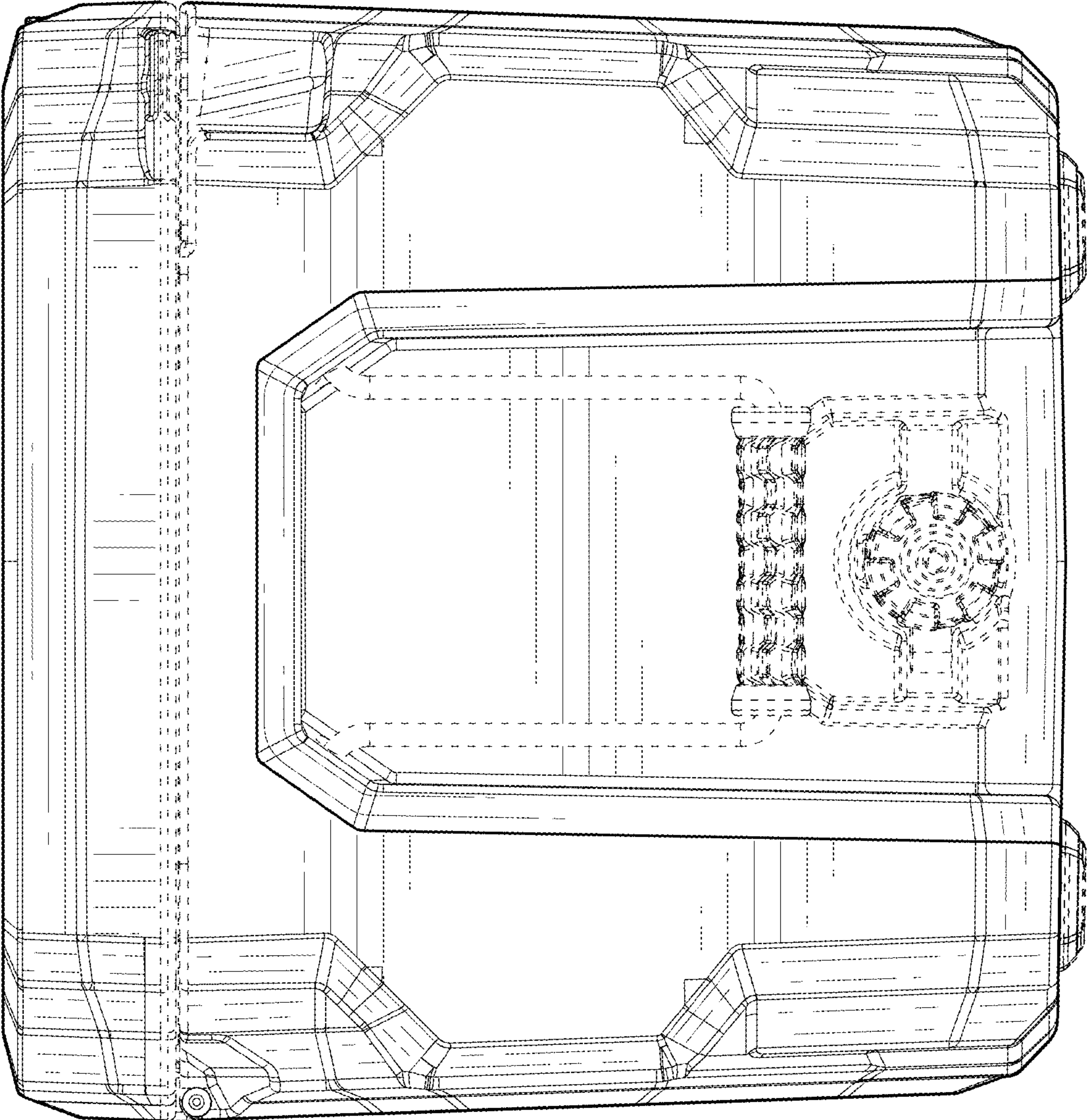


FIG. 5



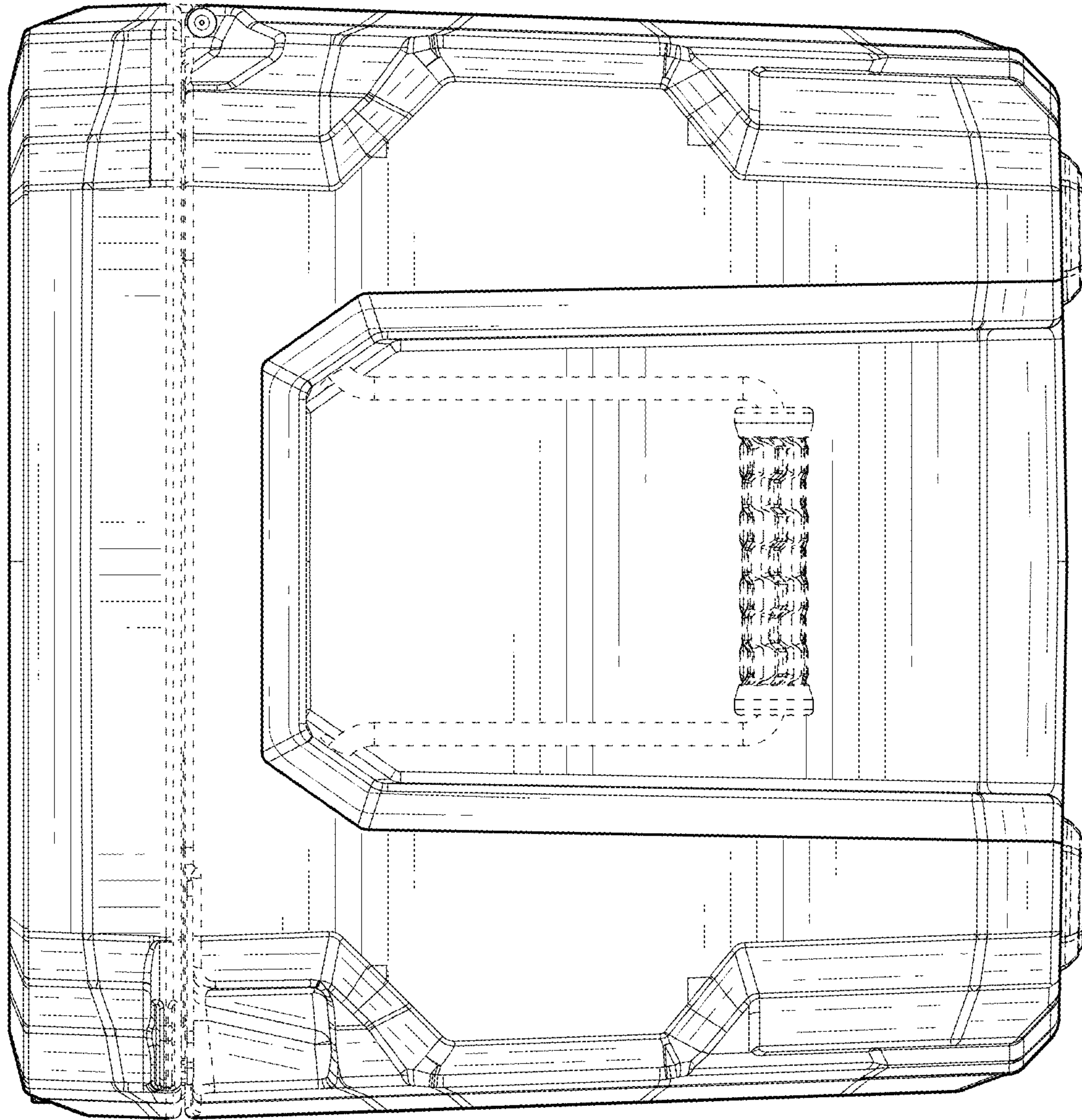


FIG. 6



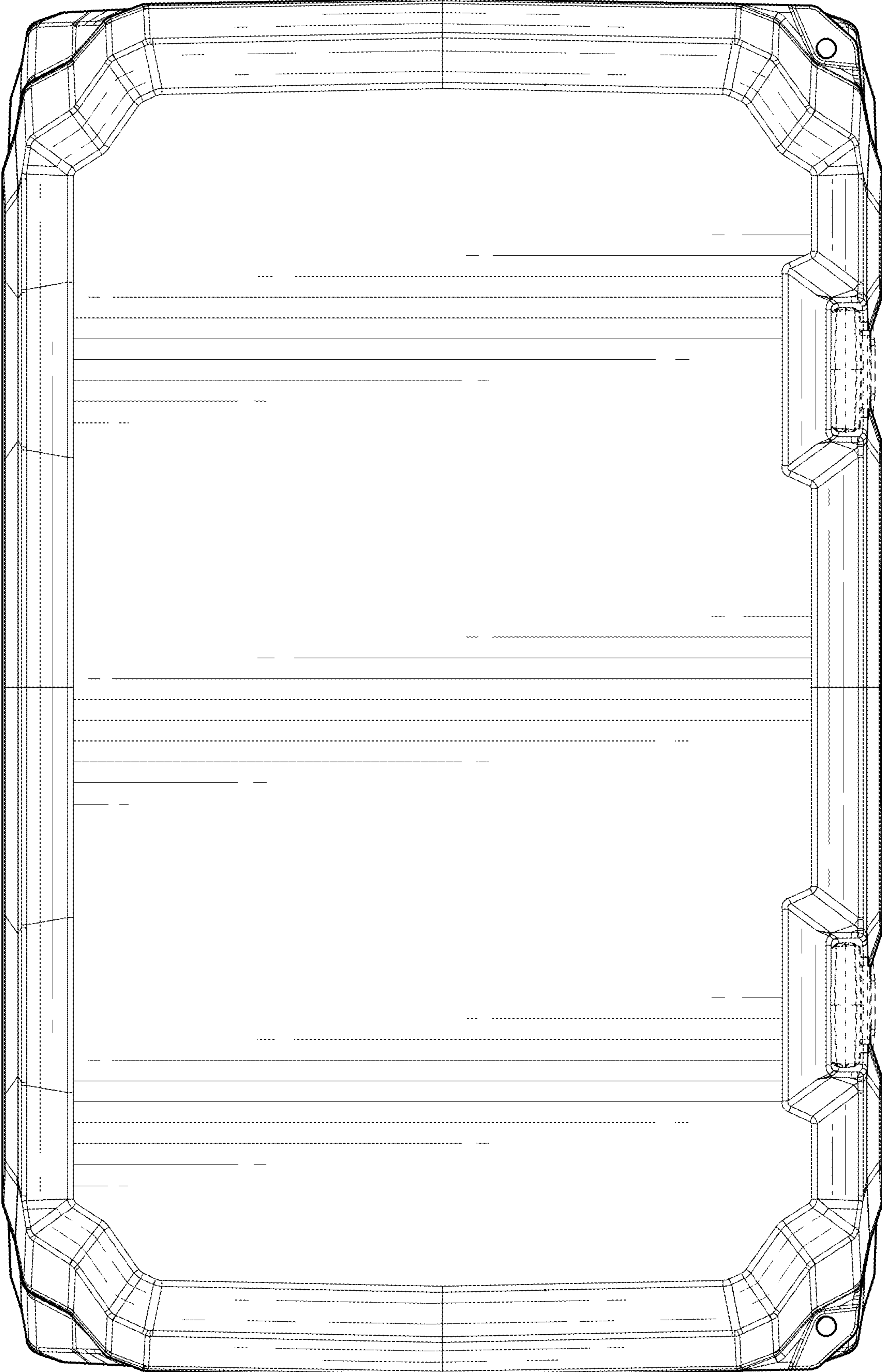


FIG. 7

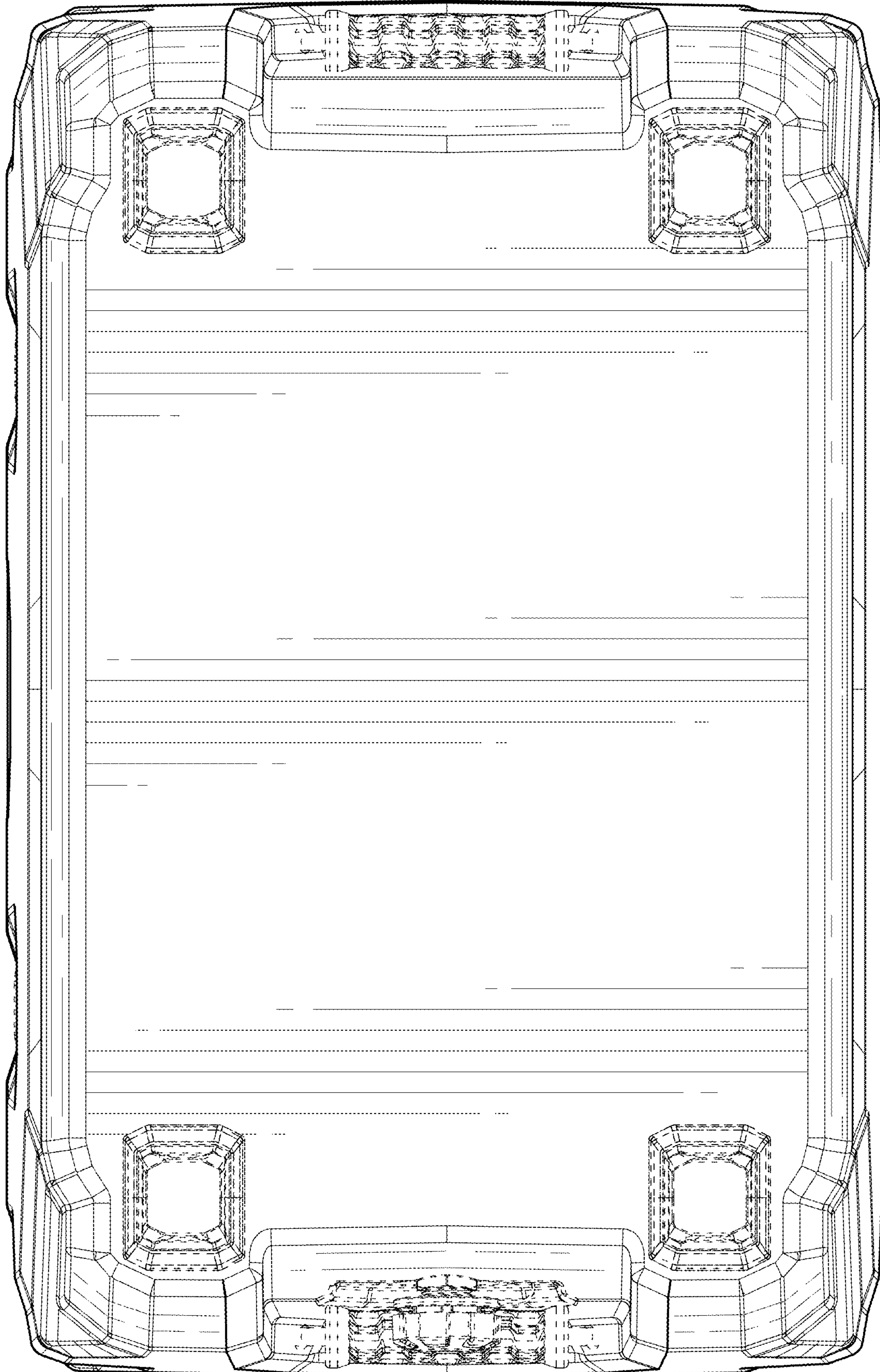


FIG. 8