



US00D944293S

(12) **United States Design Patent** (10) **Patent No.:** **US D944,293 S**
Escobedo (45) **Date of Patent:** **** Feb. 22, 2022**

(54) **PUMP ENCLOSURE**
(71) Applicant: **Frank Escobedo**, Miami, FL (US)
(72) Inventor: **Frank Escobedo**, Miami, FL (US)
(**) Term: **15 Years**
(21) Appl. No.: **29/724,600**

D836,339 S * 12/2018 Winn B65D 5/6697
D3/294
D840,684 S * 2/2019 Luburic D3/294
D849,405 S * 5/2019 Chen D3/302
D891,243 S * 7/2020 De Geyter D9/423
2005/0066908 A1* 3/2005 Park A01K 1/031
119/419
2008/0236507 A1* 10/2008 Conger A01K 1/00
119/417

(22) Filed: **Feb. 18, 2020**
(51) **LOC (13) Cl.** **15-02**
(52) **U.S. Cl.**
USPC **D15/7**
(58) **Field of Classification Search**
USPC D23/210, 365; D9/420, 423, 759, 761,
D9/762; D3/203.6, 206, 905; D15/7-9
CPC A01K 63/00; A01K 63/003; A01K 63/042;
A01K 63/047; A01K 63/045; A01K
63/04; A01K 63/10; A01K 61/00; C02F
2103/007; C02F 1/001; C02F 2303/24
See application file for complete search history.

OTHER PUBLICATIONS

Plano, 131200 Field/Ammo Box, (site visited Sep. 1, 2021), Longs
Outpost website. URL:<longsoutpost.com/30-caliber-fieldammo-
box-small> (Year: 2021).*

(Continued)

Primary Examiner — Calvin E Vansant
Assistant Examiner — Mark T. Philipps
(74) *Attorney, Agent, or Firm* — Allen, Dyer, Doppelt &
Gilchrist, P.A.

(57) **CLAIM**

The ornamental design for a pump enclosure, as shown and
described.

(56) **References Cited**

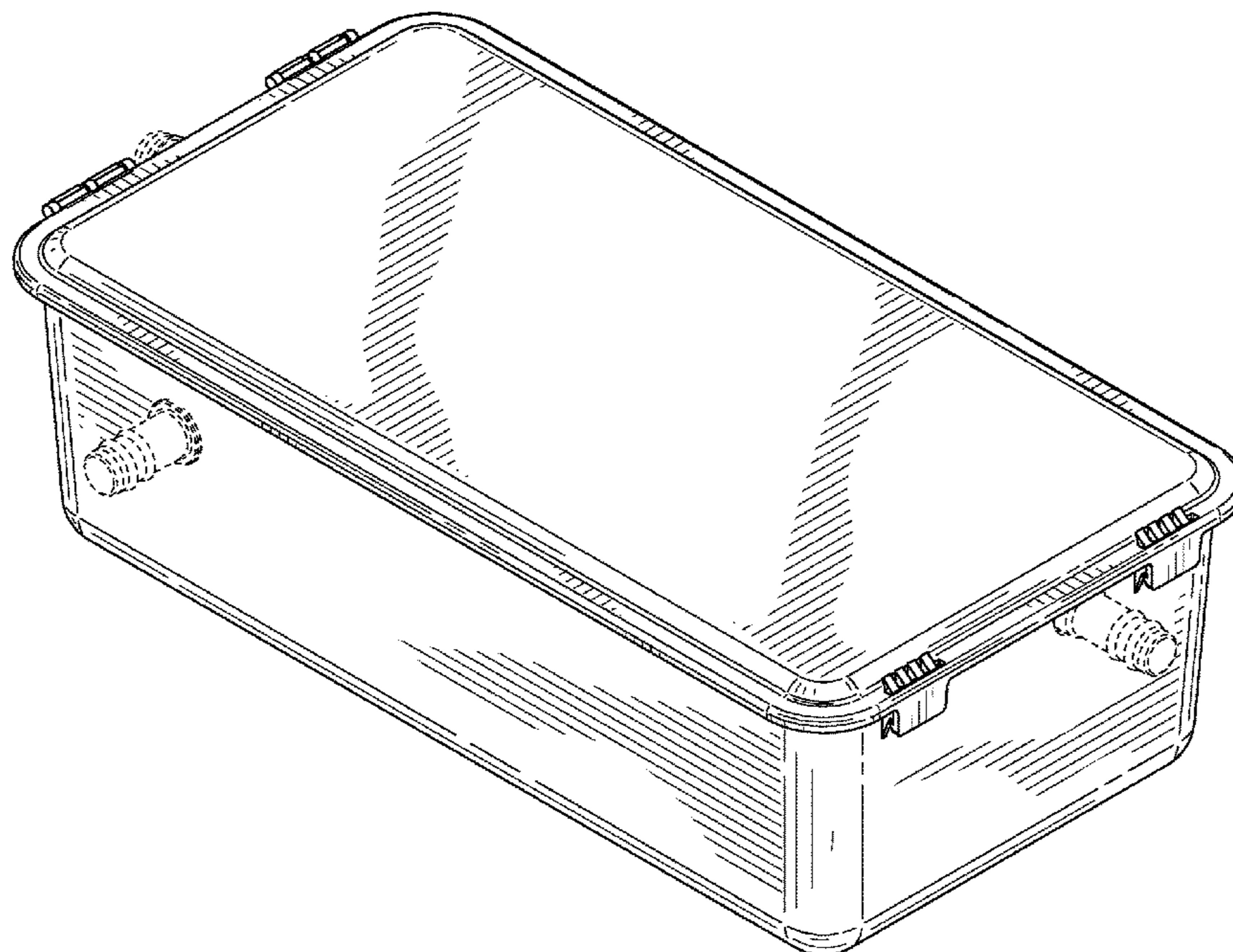
U.S. PATENT DOCUMENTS

D242,083 S	*	10/1976	Jean	D3/284
D275,653 S	*	9/1984	Crutchfield	D9/420
D326,775 S	*	6/1992	Skillius	D3/281
D384,502 S	*	10/1997	Seager	D3/294
D509,655 S	*	9/2005	Barnes	D3/260
D543,030 S	*	5/2007	Schafer	D3/272
D593,970 S	*	6/2009	Sonntag	D13/184
D606,033 S	*	12/2009	Sonntag	D13/184
D673,847 S	*	1/2013	Barbier	D9/420
D712,141 S	*	9/2014	Minneman	D3/262
D734,727 S	*	7/2015	Andresen	D13/152
D748,280 S	*	1/2016	Lui	D24/227
D758,726 S	*	6/2016	Minneman	D3/262
D814,920 S	*	4/2018	Georgiadis	D9/420

DESCRIPTION

FIG. 1 is a front, top, right side perspective view of the
design thereof;
FIG. 2 is a rear, bottom, left side perspective view of the
design of FIG. 1;
FIG. 3 is a front view of the design of FIG. 1;
FIG. 4 is a rear view of the design of FIG. 1;
FIG. 5 is a top view of the design of FIG. 1;
FIG. 6 is a bottom view of the design of FIG. 1;
FIG. 7 is a right side view of the design of FIG. 1; and,
FIG. 8 is a left side view of the design of FIG. 1.
Broken lines illustrate subject matter outside the boundaries
of the claimed invention, and form no part thereof.

1 Claim, 7 Drawing Sheets



(56)

References Cited

OTHER PUBLICATIONS

Total Pond, 871980305191 Universal Pump Filter Box, (site visited on Sep. 1, 2021), Amazon.com, URL:<<https://www.amazon.com/TotalPond-Universal-Pump-Filter-Box/dp/B004DL0Y2Q>> (Year: 2021).*

Sunsun, Sun CBF-350 Biological Pond Filter, (site visited Sep. 1, 2021), Amazon.com, URL:<<https://www.amazon.com/Sunsun-CBF-350-Biological-Pond-Filter/dp/B06XP1XDR8>> (Year: 2021).*

* cited by examiner

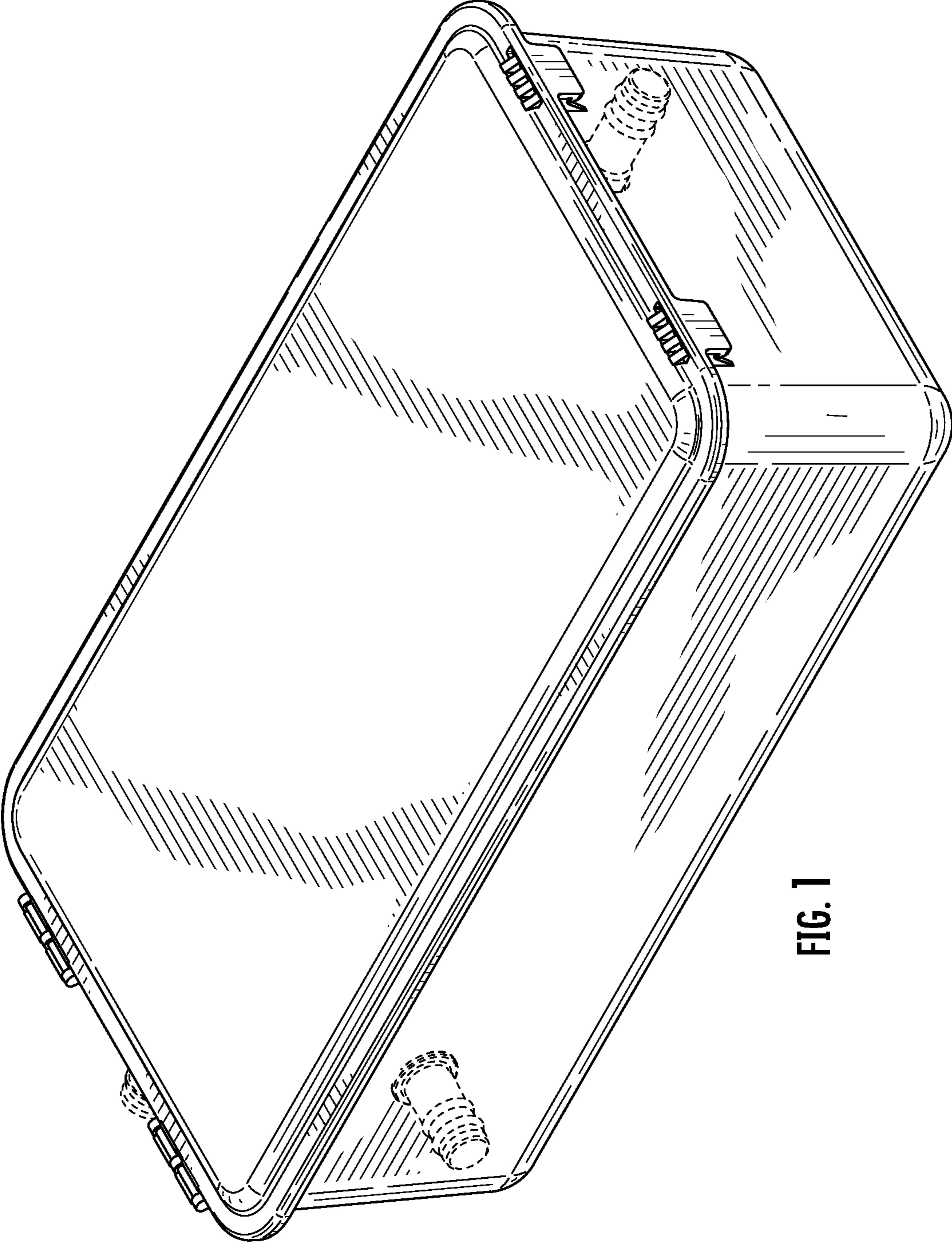


FIG. 1

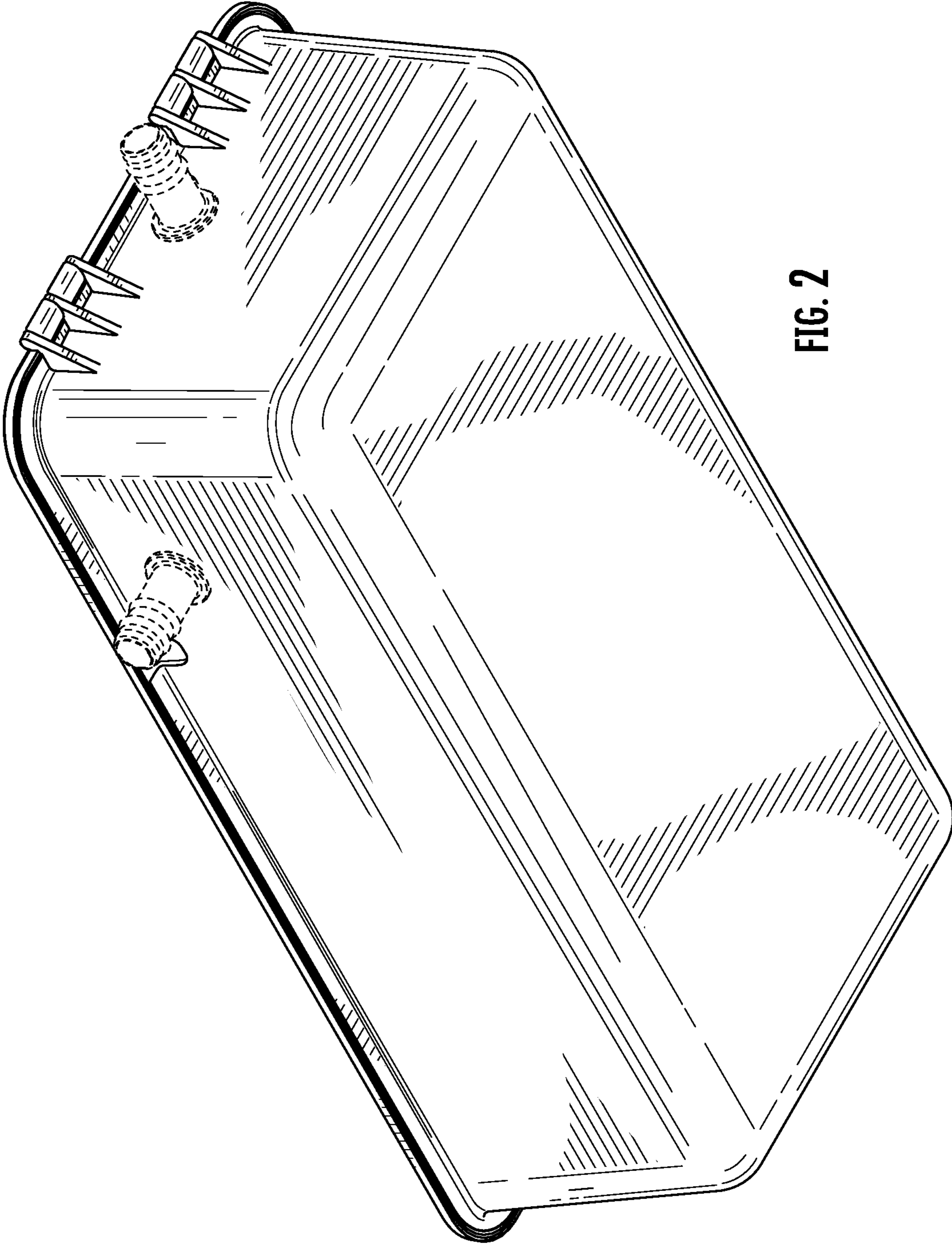


FIG. 2

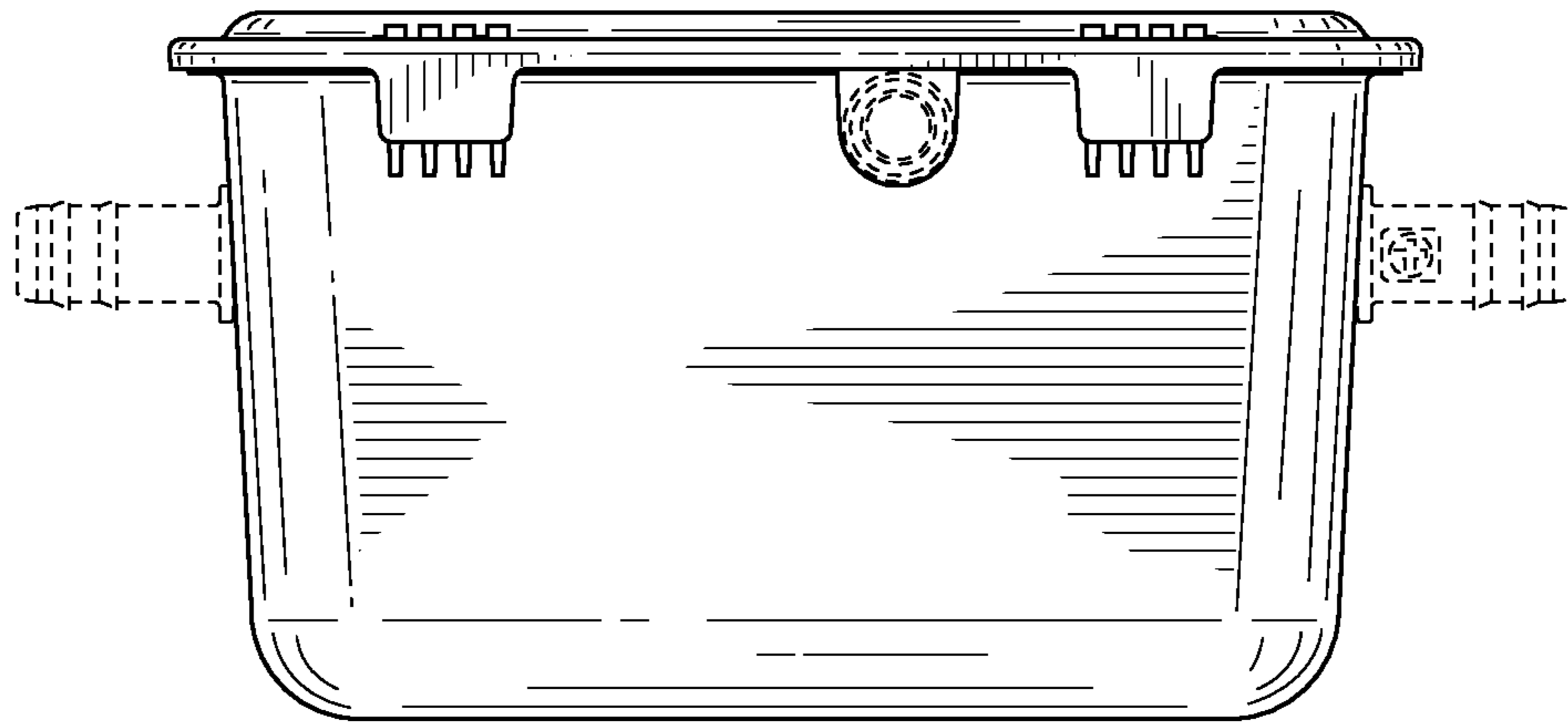


FIG. 3

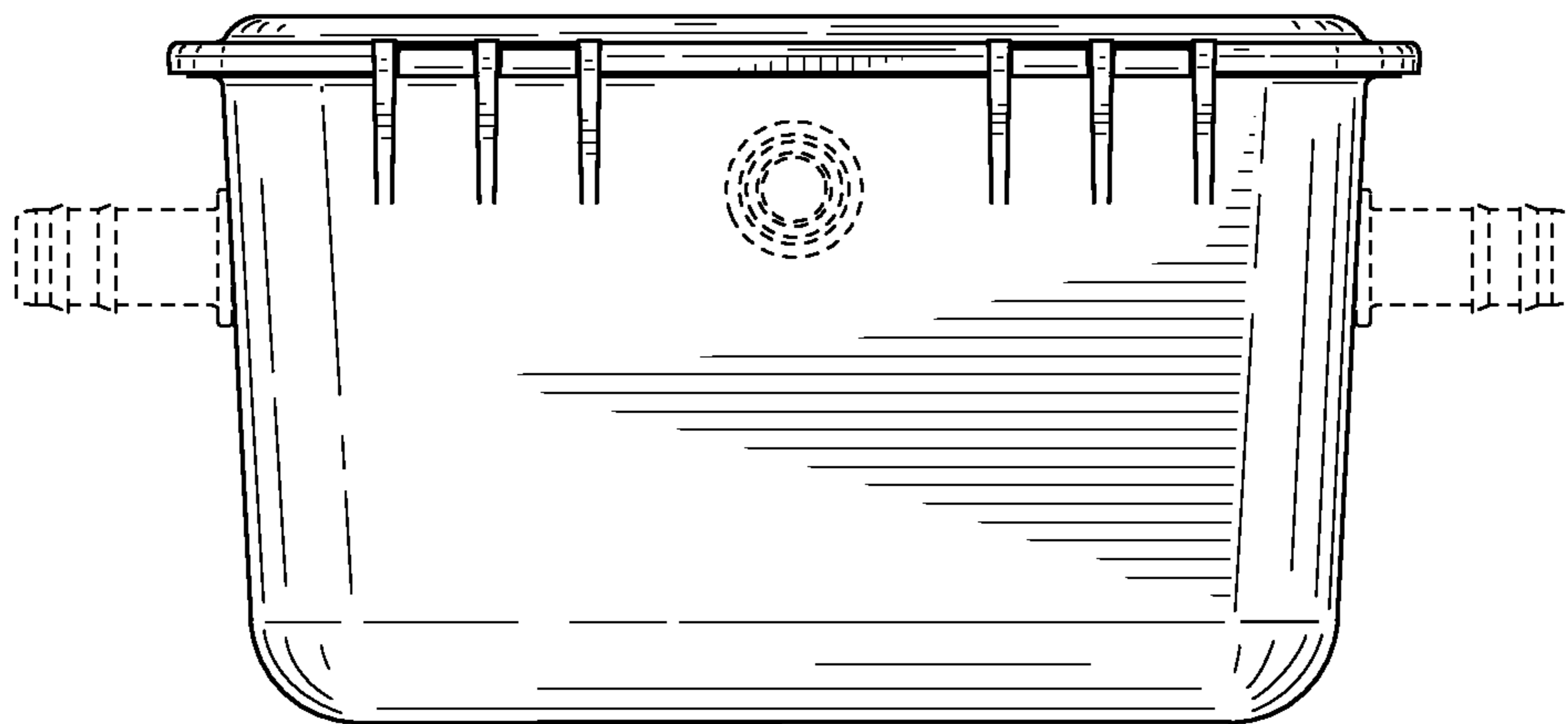


FIG. 4

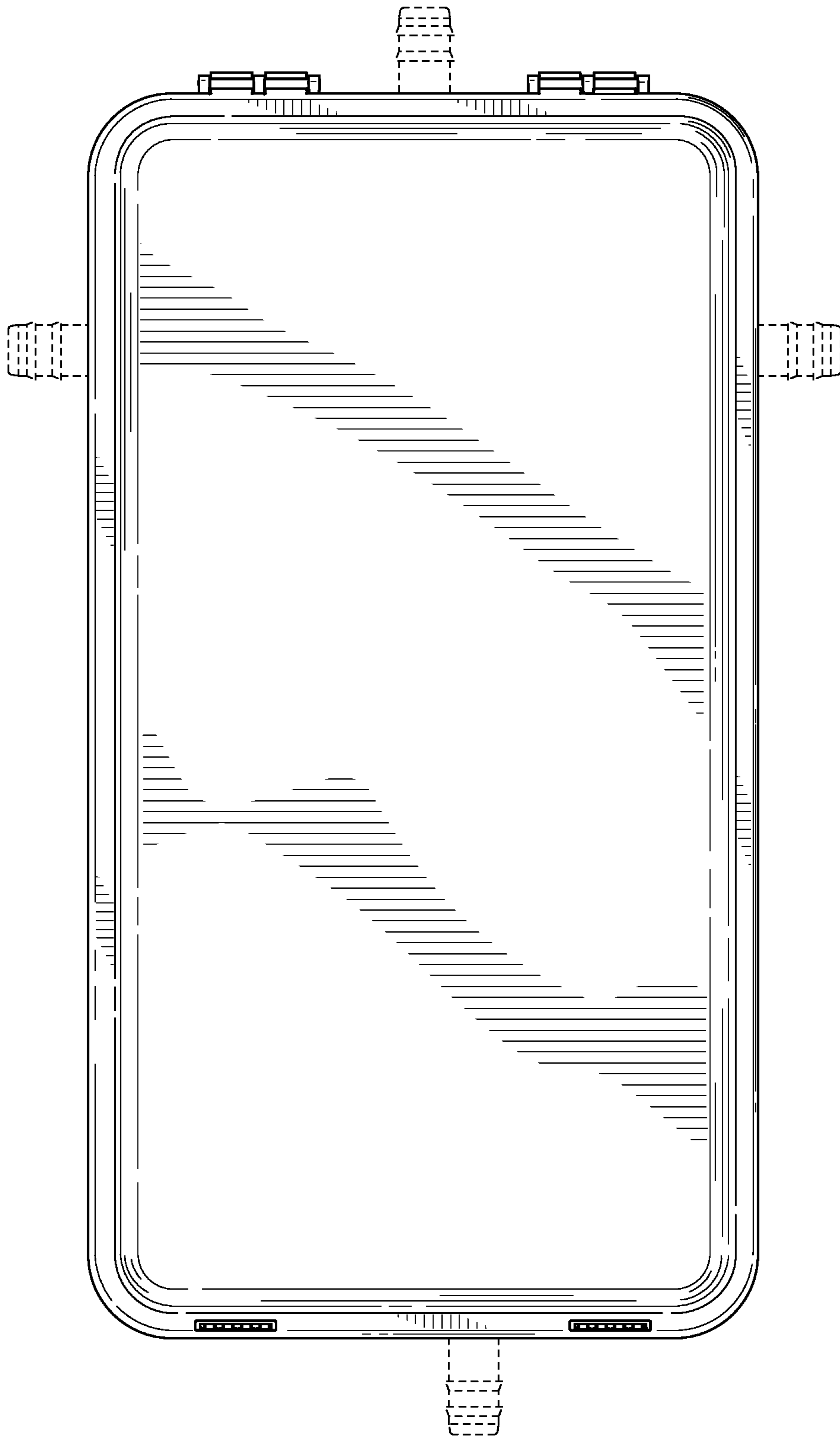


FIG. 5

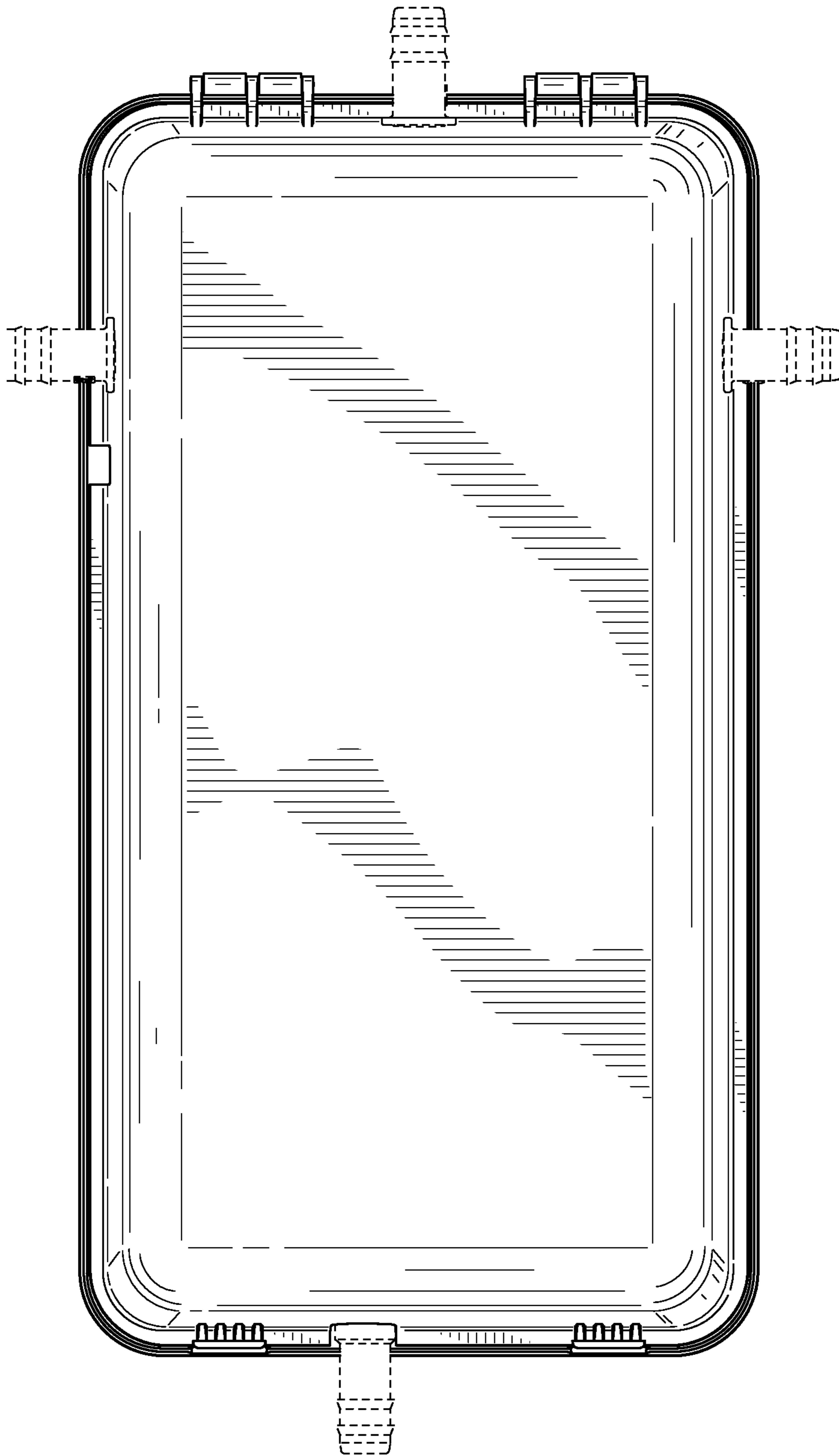


FIG. 6

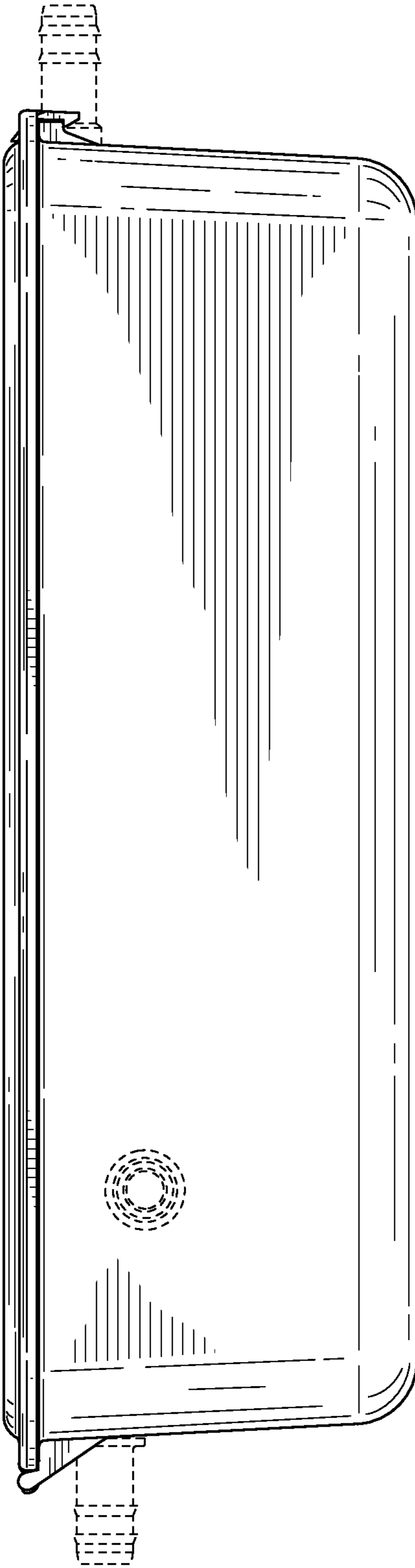


FIG. 7

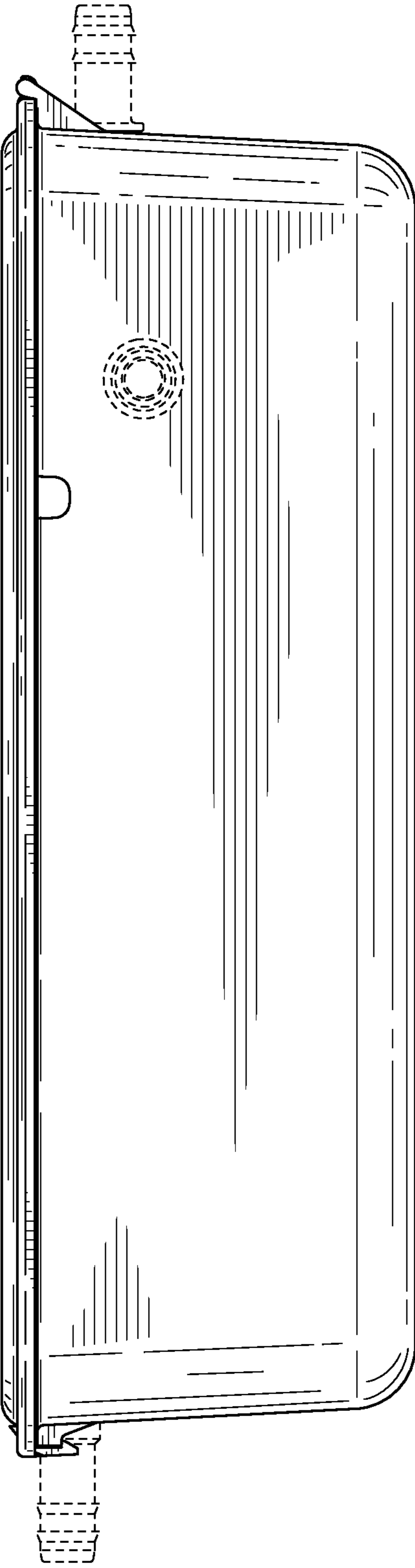


FIG. 8