



US00D944258S

(12) **United States Design Patent** (10) **Patent No.:** **US D944,258 S**
Campbell et al. (45) **Date of Patent:** **** Feb. 22, 2022**

(54) **ELECTRONIC DEVICE STAND**
(71) Applicant: **ACCO BRANDS CORPORATION**,
Lake Zurich, IL (US)
(72) Inventors: **Erik Campbell**, San Francisco, CA
(US); **Yu-Chia Huang**, New Taipei
(TW)
(73) Assignee: **ACCO Brands Corporation**, Lake
Zurich, IL (US)

Primary Examiner — Angela J Lee
(74) *Attorney, Agent, or Firm* — Michael Best &
Friedrich LLP

(**) Term: **15 Years**
(21) Appl. No.: **29/754,361**
(22) Filed: **Oct. 9, 2020**
(51) **LOC (13) Cl.** **08-07**
(52) **U.S. Cl.**
USPC **D14/447**
(58) **Field of Classification Search**
USPC D14/447, 432, 434, 439, 440, 451, 452,
D14/457, 239, 253; D8/363, 373, 380;
(Continued)

(57) **CLAIM**
We claim the ornamental design for an electronic device
stand, as shown and described.

(56) **References Cited**
U.S. PATENT DOCUMENTS
7,035,094 B2 4/2006 Huang et al.
7,352,567 B2 4/2008 Hotelling et al.
(Continued)
FOREIGN PATENT DOCUMENTS
CN 203533117 U 4/2014
CN 210072458 U 2/2020
(Continued)

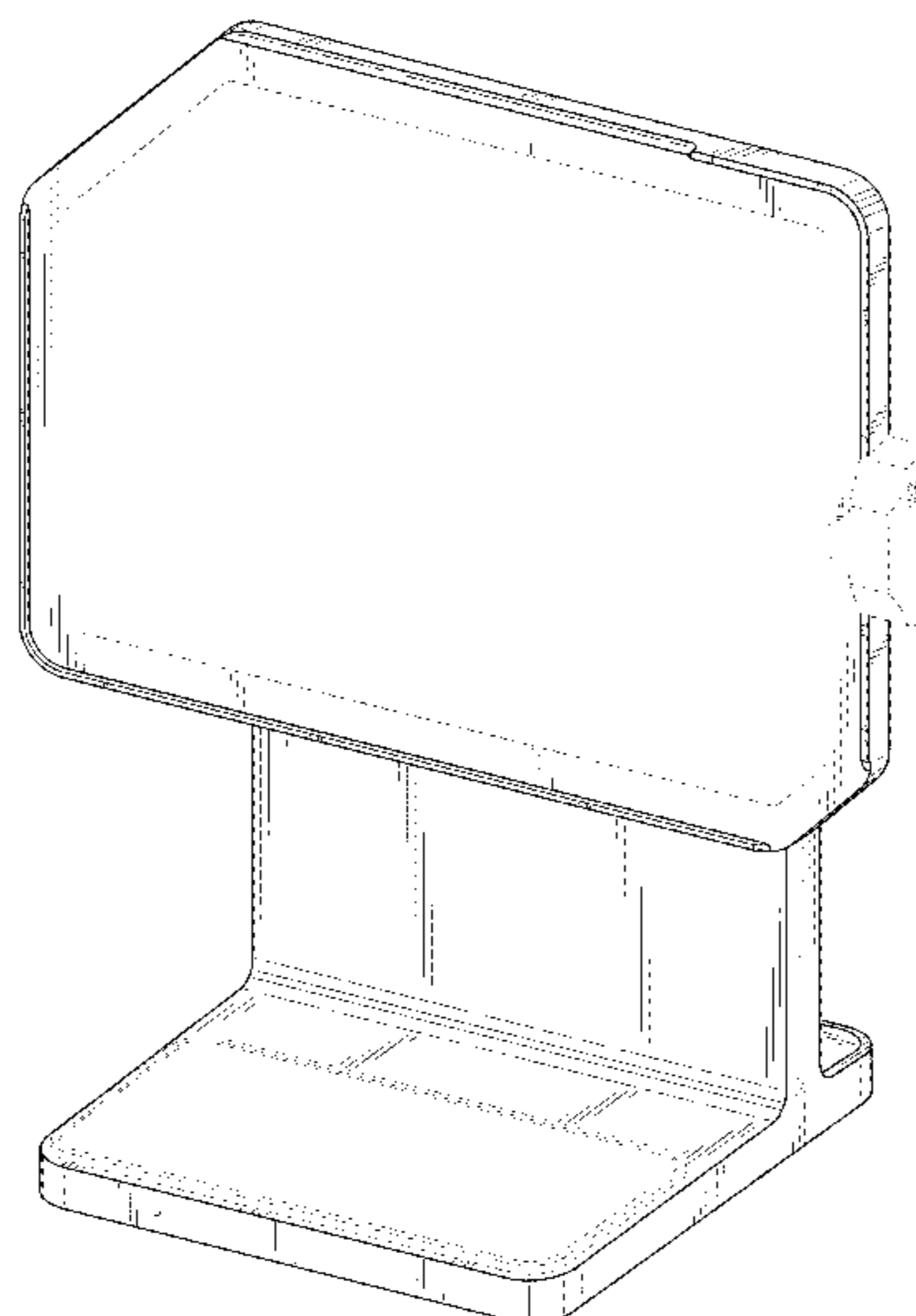
DESCRIPTION

FIG. 1 is a perspective view of an electronic device stand according to a first embodiment in a first orientation. FIG. 2 is a first side view of the electronic device stand shown in FIG. 1. FIG. 3 is a second view of the electronic device stand shown in FIG. 1. FIG. 4 is a front view of the electronic device stand shown in FIG. 1. FIG. 5 is a rear view of the electronic device stand shown in FIG. 1. FIG. 6 is a top view of the electronic device stand shown in FIG. 1. FIG. 7 is a bottom view of the electronic device stand shown in FIG. 1. FIG. 8 is a perspective view of the electronic device stand according to the first embodiment in a second orientation. FIG. 9 is a first side view of the electronic device stand shown in FIG. 8. FIG. 10 is a second view of the electronic device stand shown in FIG. 8. FIG. 11 is a front view of the electronic device stand shown in FIG. 8. FIG. 12 is a rear view of the electronic device stand shown in FIG. 8. FIG. 13 is a top view of the electronic device stand shown in FIG. 8; and, FIG. 14 is a bottom view of the electronic device stand shown in FIG. 8. The broken lines having equal segments represent portions of the article that form no part of the claimed design.

OTHER PUBLICATIONS
Kickstarter, "MagicDock," <<https://www.kickstarter.com/projects/stevewarren/magicdock>> web page last updated Jan. 14, 2020 (13 pages).

(Continued)

1 Claim, 12 Drawing Sheets



(58) **Field of Classification Search**

USPC D6/406.3, 406.4, 406.5, 406.6; D12/415;
D13/108
CPC A47B 21/04; A47B 2097/006; A47B
2097/005; A47B 2023/049; A45C
2011/002; A45C 2011/003; F16M
2200/00; F16M 13/00

See application file for complete search history.

(56) **References Cited**

U.S. PATENT DOCUMENTS

7,374,142	B2	5/2008	Carnevali	
7,431,251	B2	10/2008	Carnevali	
D677,261	S *	3/2013	Hsu	D14/447
D687,832	S *	8/2013	Edwards	D14/447
8,706,175	B2	4/2014	Cho	
D705,234	S *	5/2014	Guran	D14/447
D707,230	S *	6/2014	Castronovo	D14/447
D707,685	S *	6/2014	Johnson	D14/447
8,824,166	B2	9/2014	Rohrbach	
8,925,878	B2	1/2015	Hsu et al.	
D724,598	S *	3/2015	Gelsomini	D14/447
8,979,040	B2	3/2015	Chien et al.	
D726,733	S *	4/2015	Specht	D14/447
9,103,150	B1	8/2015	Wong	
9,163,775	B2	10/2015	Rohrbach	
9,179,567	B2	11/2015	Hung et al.	
D746,292	S *	12/2015	Heckler	D14/447
9,377,154	B2	6/2016	Hung et al.	
9,377,156	B2	6/2016	Wong	
9,429,994	B1	8/2016	Vier	
9,557,002	B2	1/2017	Wong et al.	
9,680,253	B2	6/2017	Mehandjiysky et al.	
D791,861	S *	7/2017	Battle	D18/4.5
D792,414	S *	7/2017	Floersch	D14/447
D792,415	S *	7/2017	Tsai	D14/447

D795,266	S *	8/2017	Williams	D14/447
9,774,135	B2	9/2017	Laine et al.	
9,791,097	B2	10/2017	Bowman et al.	
9,839,147	B2	12/2017	Rohrbach	
D823,847	S	7/2018	Lebovitz	
D825,548	S	8/2018	Lebovitz	
D825,549	S	8/2018	Lebovitz	
D826,918	S	8/2018	Lebovitz	
D830,369	S *	10/2018	Grundstrom	D14/447
10,100,971	B2	10/2018	Yun	
10,251,287	B2	4/2019	Rohrbach	
10,505,392	B2	12/2019	McSweyn et al.	
10,563,683	B2	2/2020	Lebovitz	
10,563,812	B2	2/2020	Chen et al.	
2007/0114344	A1	5/2007	Sage	
2012/0170212	A1	7/2012	Gallouzi et al.	
2014/0273546	A1	9/2014	Harmon	
2016/0255734	A1	9/2016	Otabachi	
2017/0035172	A1	2/2017	Kim	
2017/0086314	A1	3/2017	Simon	
2018/0080598	A1	3/2018	Ligtenberg et al.	
2019/0182972	A1	6/2019	Rohrbach	
2019/0223629	A1	7/2019	Ditges et al.	

FOREIGN PATENT DOCUMENTS

DE	202006000993	U1	3/2006
KR	101391547	B1	5/2014
KR	20180136066	A	12/2018
WO	2011026605	A1	3/2011

OTHER PUBLICATIONS

AboveTek®, “Magnet iPhone/iPad Stand (TS-118W),” <<https://abovetek.com/collections/phone-tablet-accessories/products/abovetek-magnet-iphone-ipad-desk-stand-instant-phone-tablet-mount-holder-ts-118w>>, publicly accessed on or before Feb. 26, 2020 (7 pages).

* cited by examiner

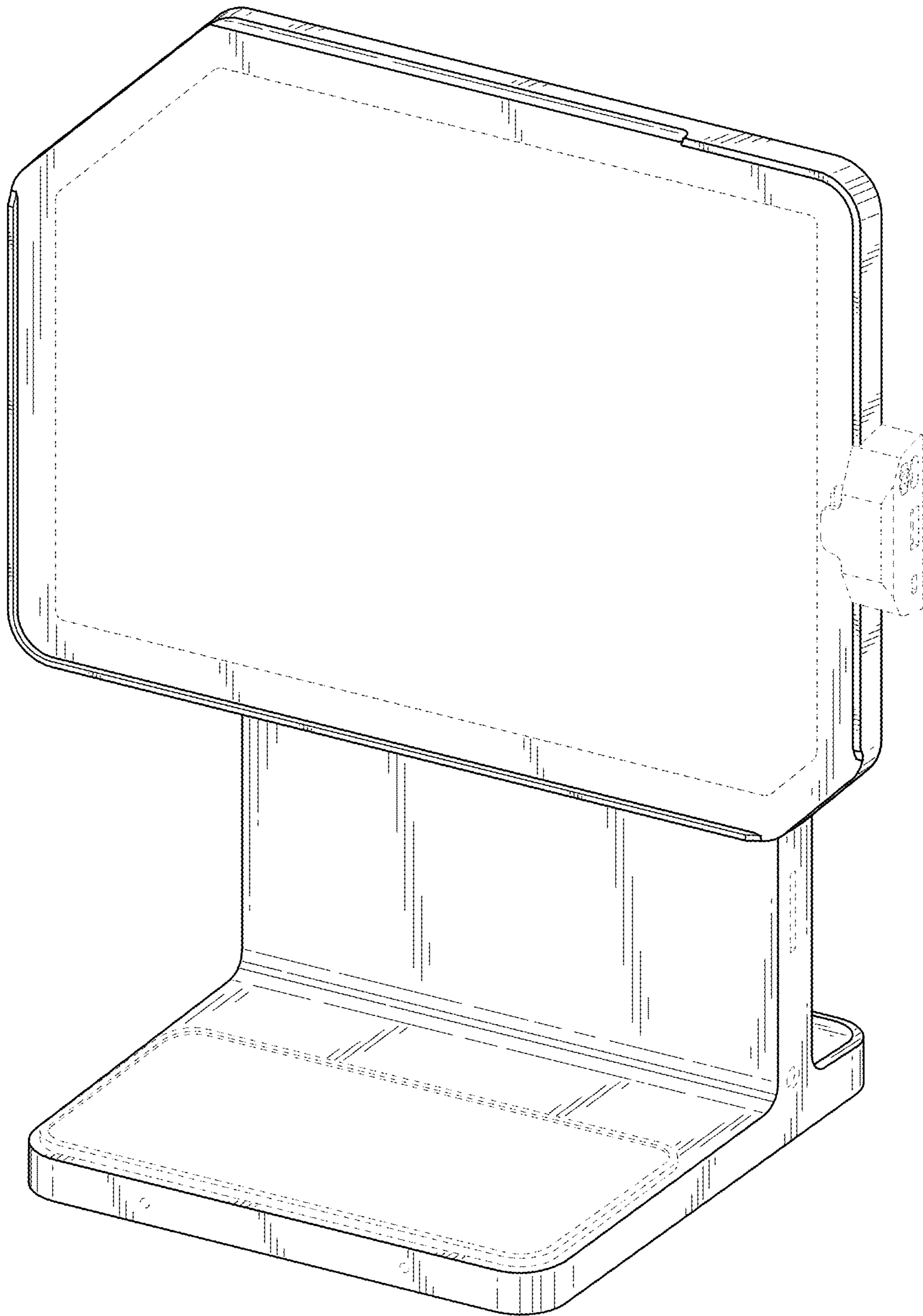


FIG. 1

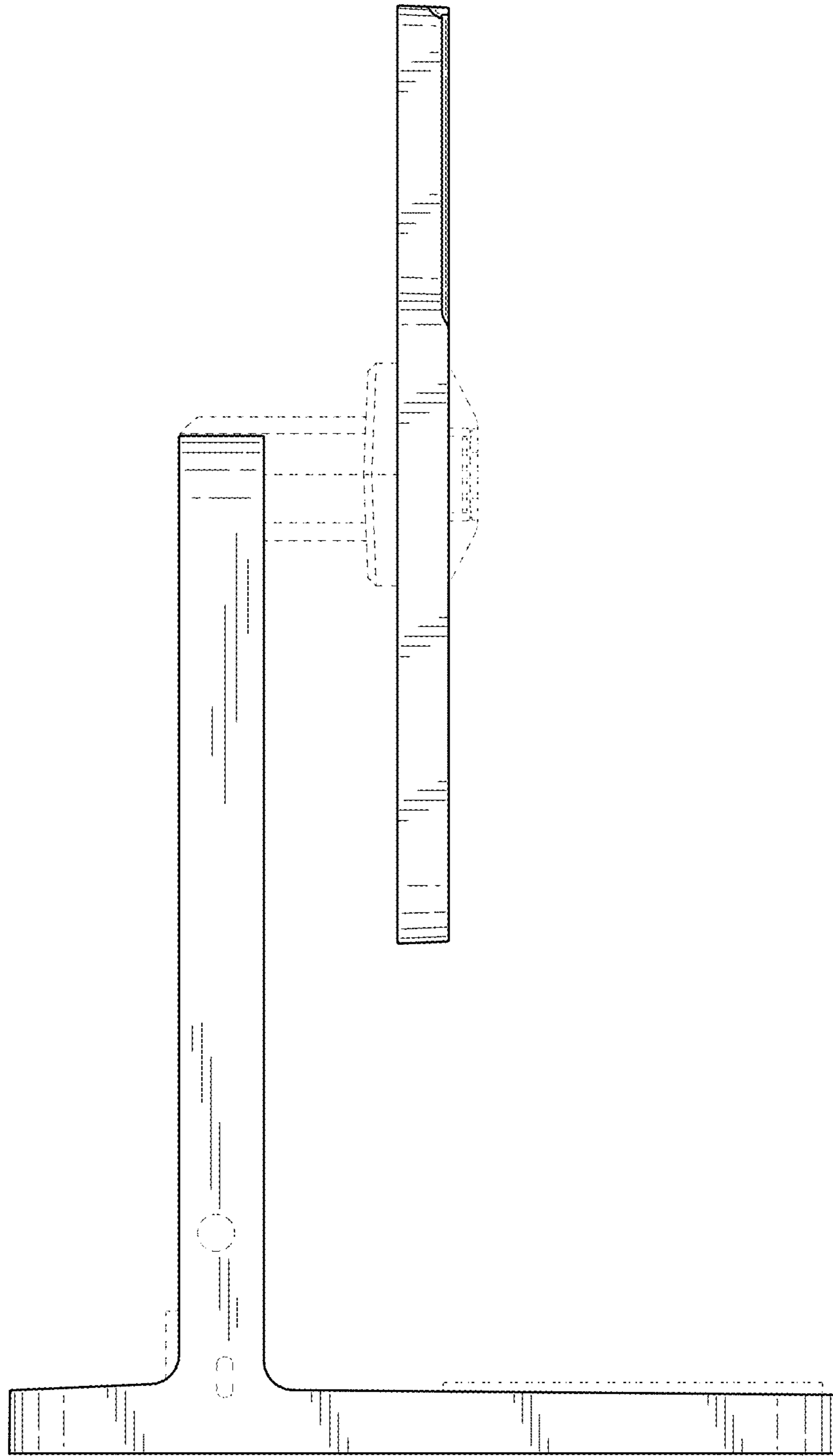


FIG. 2

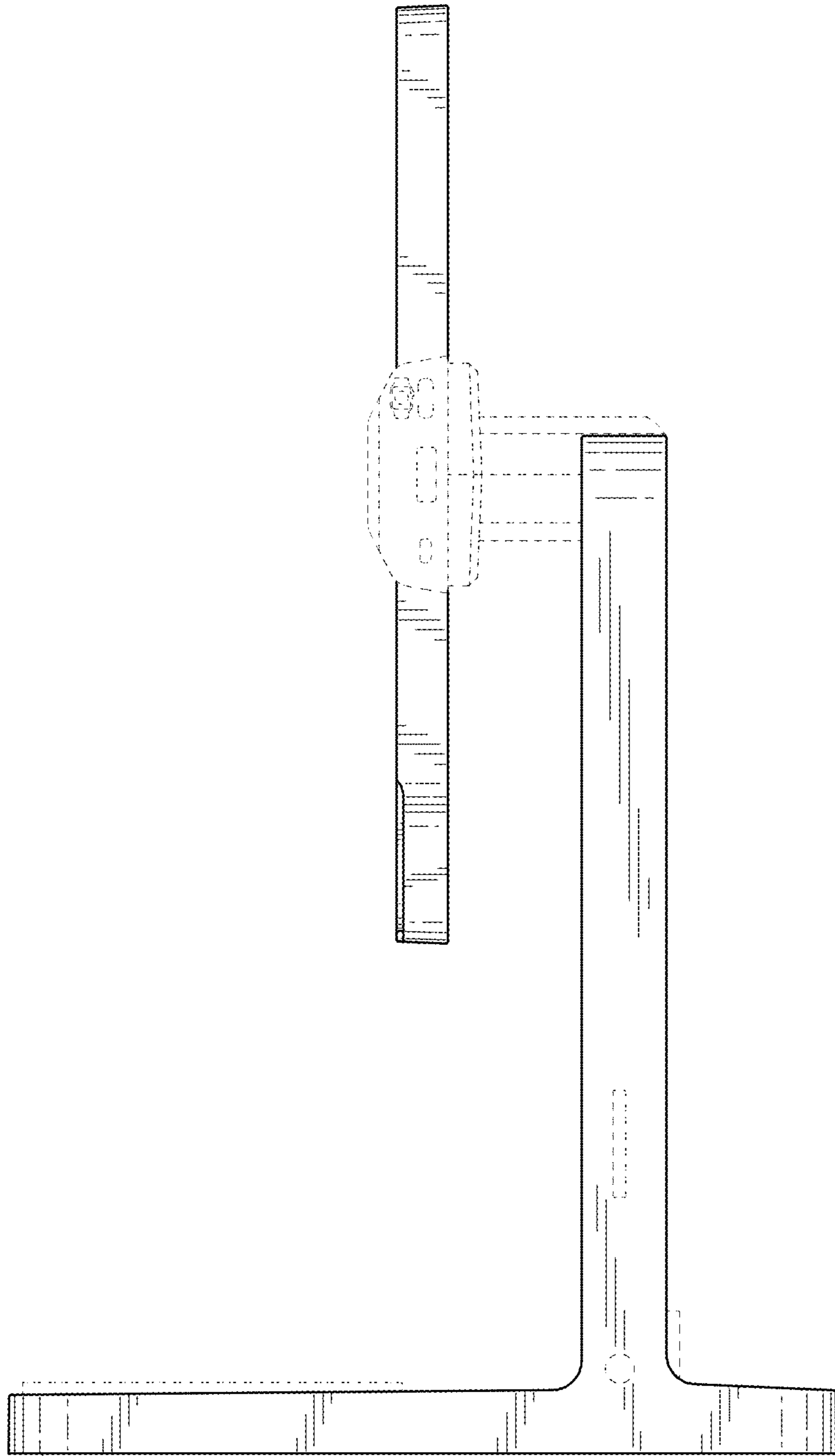


FIG. 3

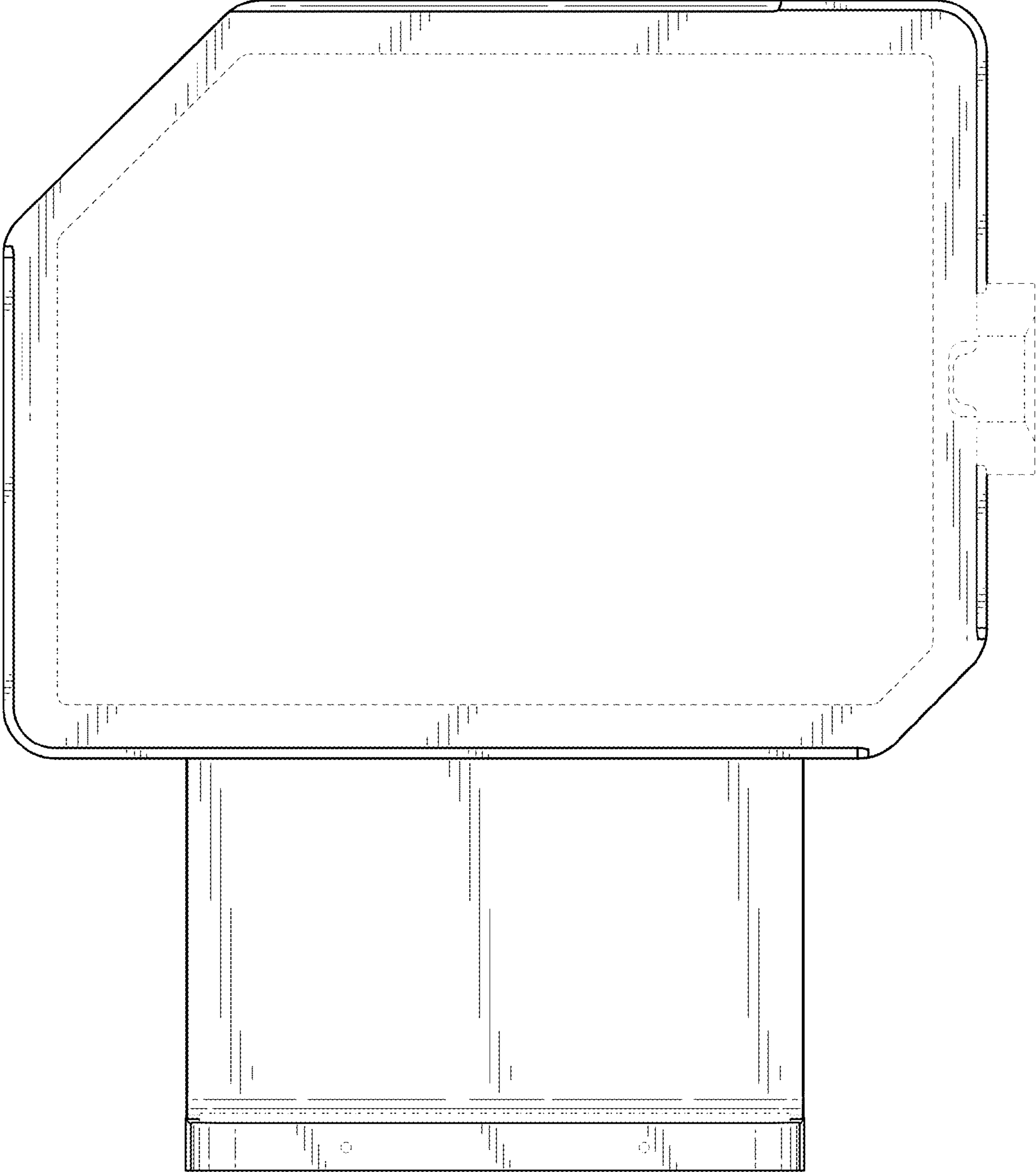


FIG. 4

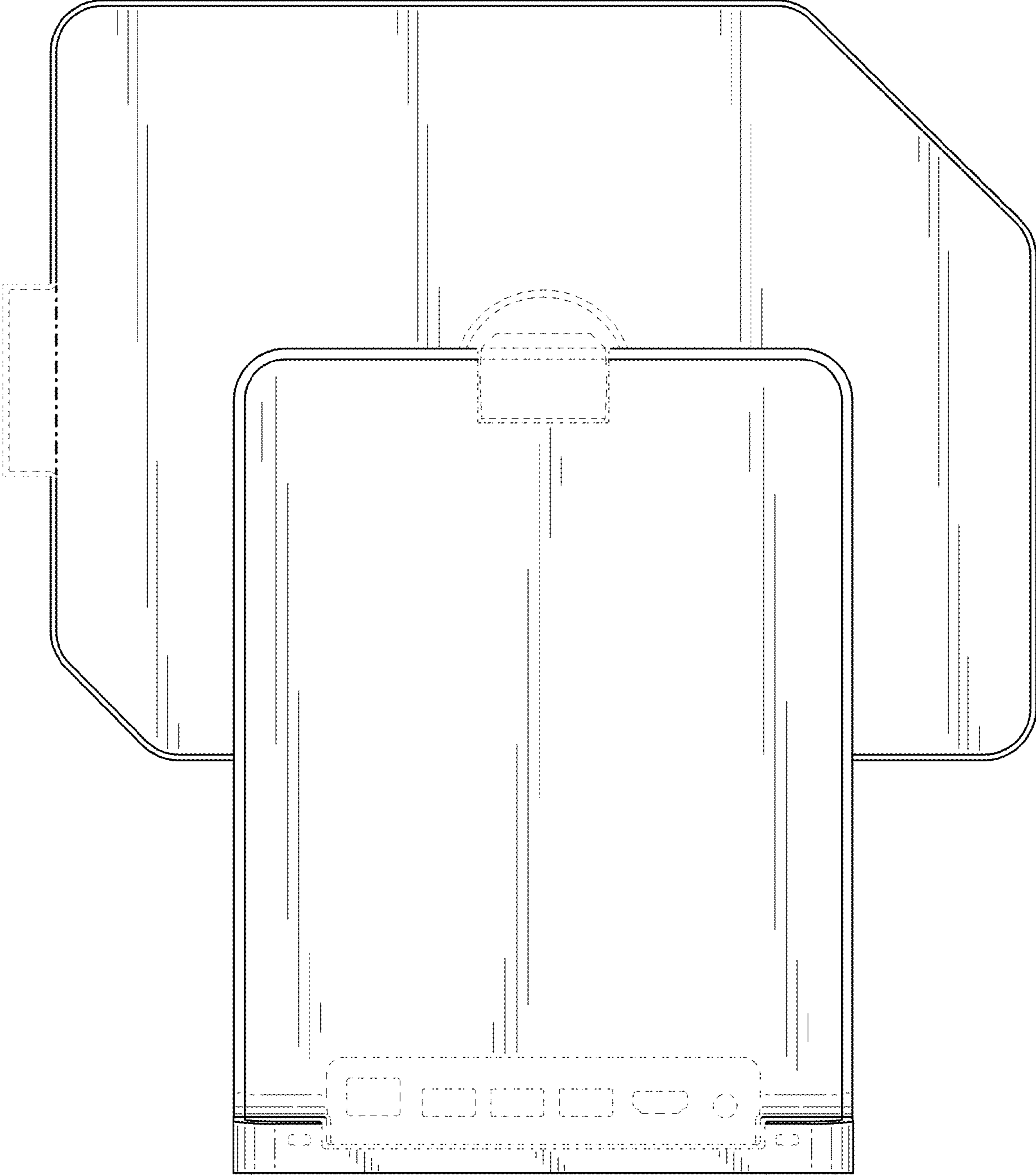


FIG. 5

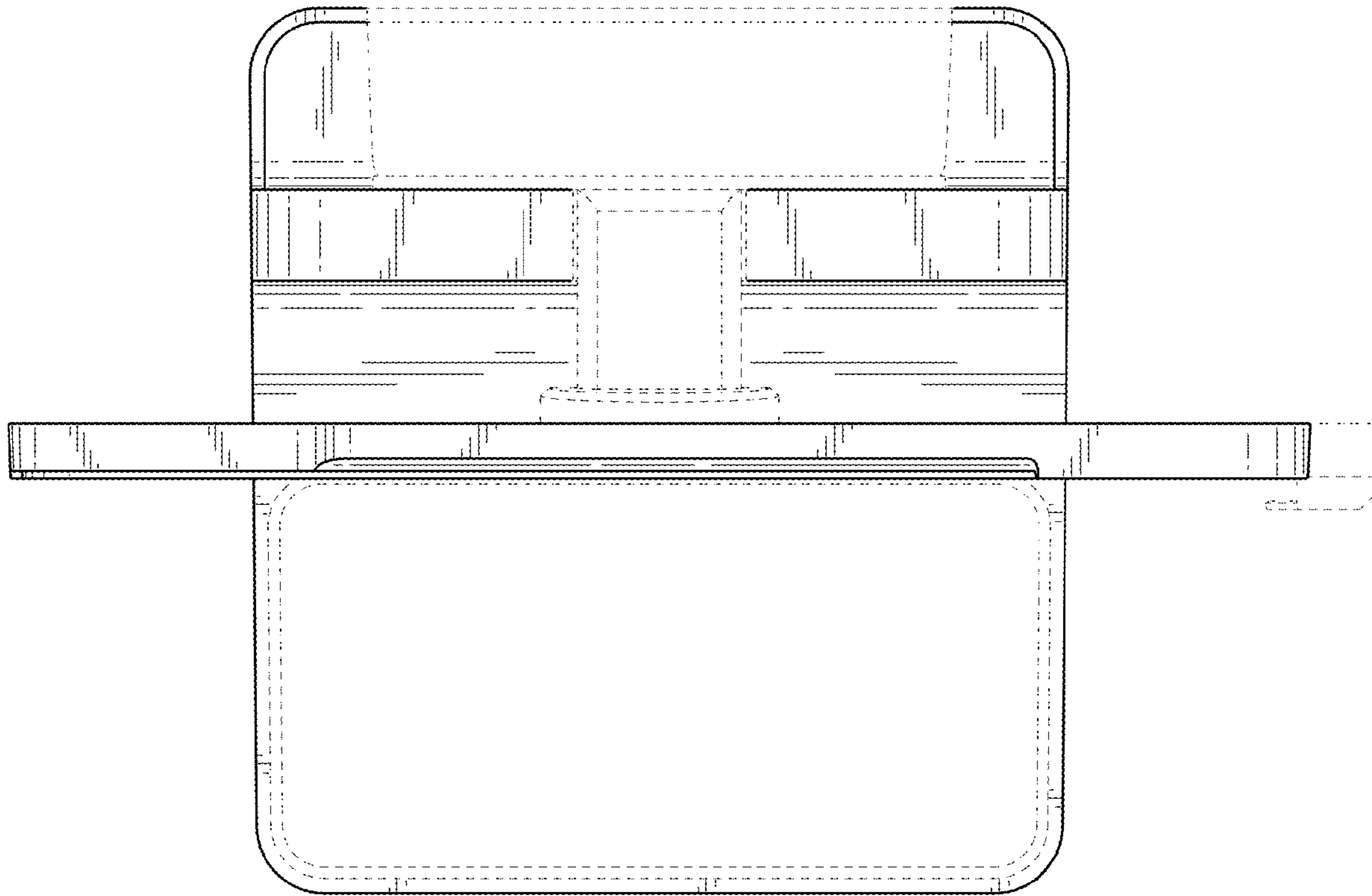


FIG. 6

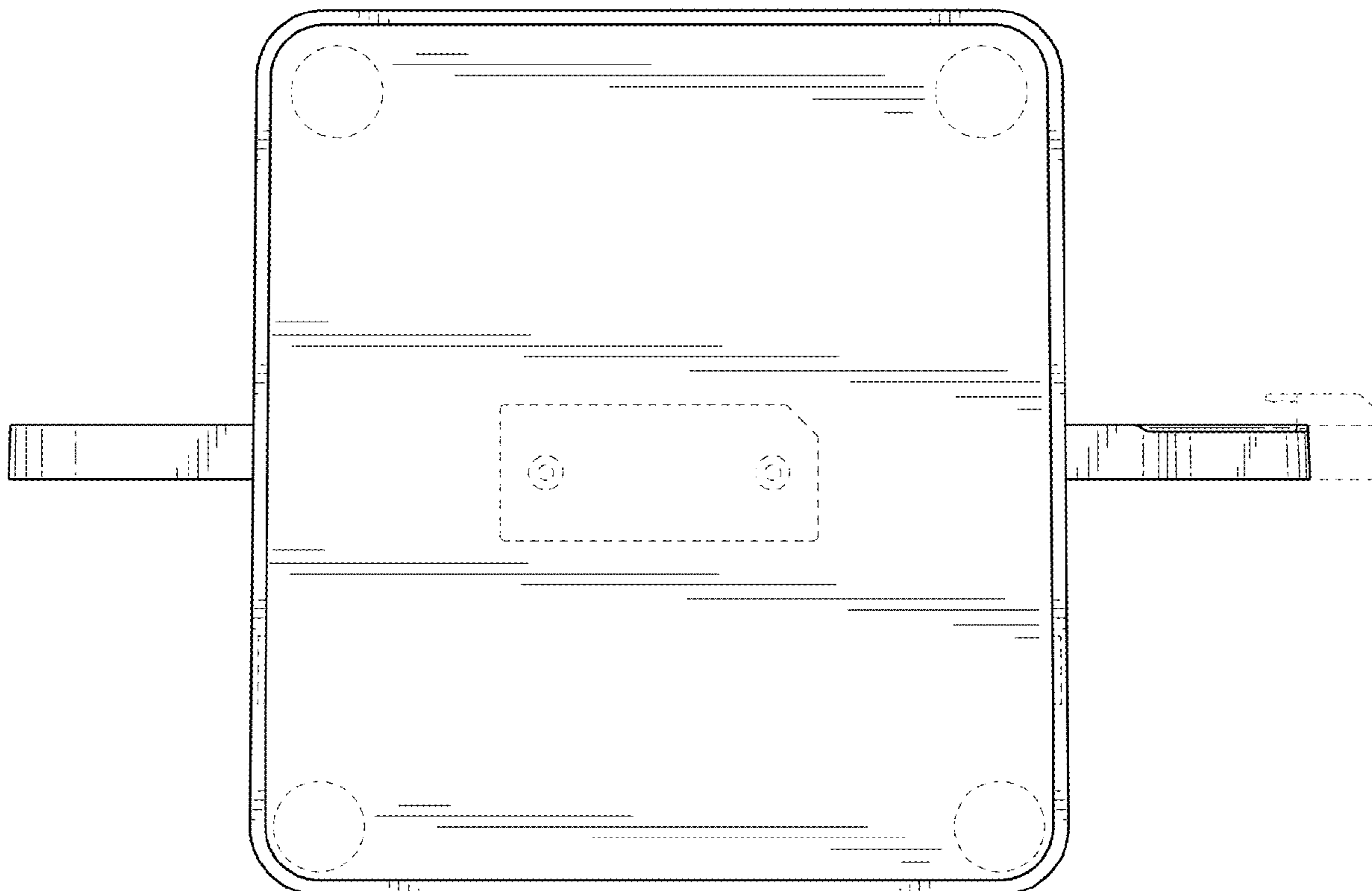


FIG. 7

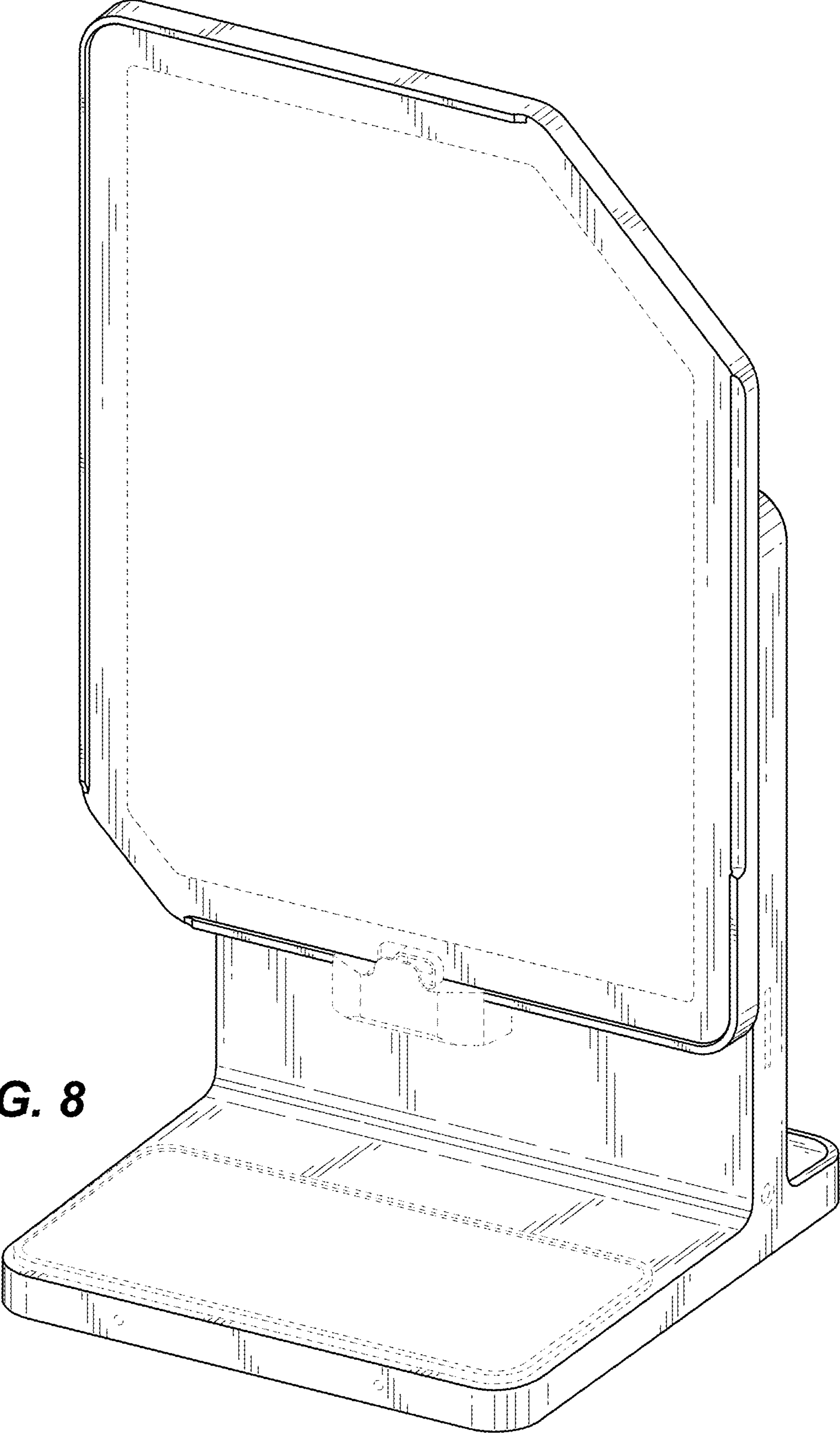


FIG. 8

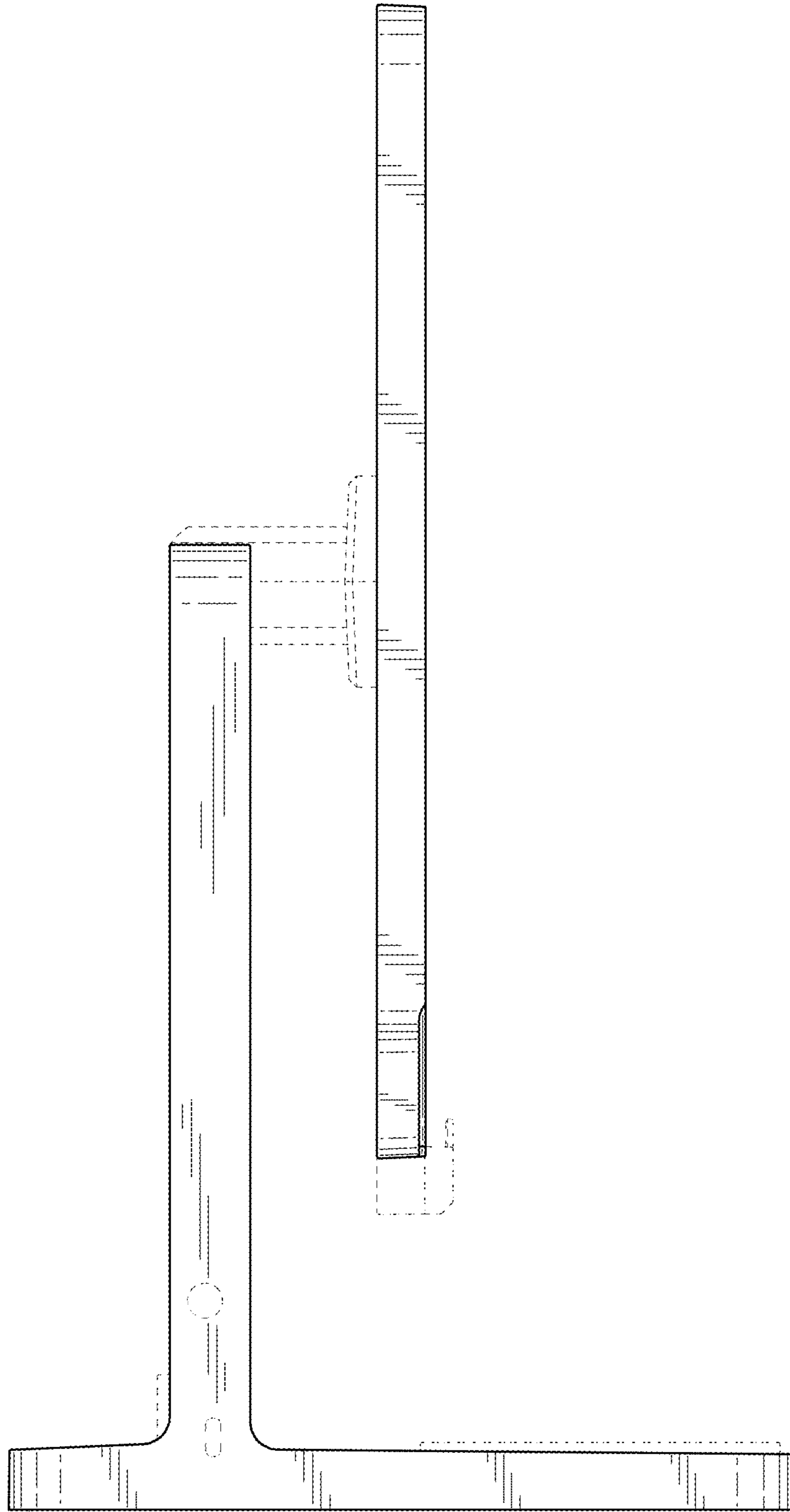


FIG. 9

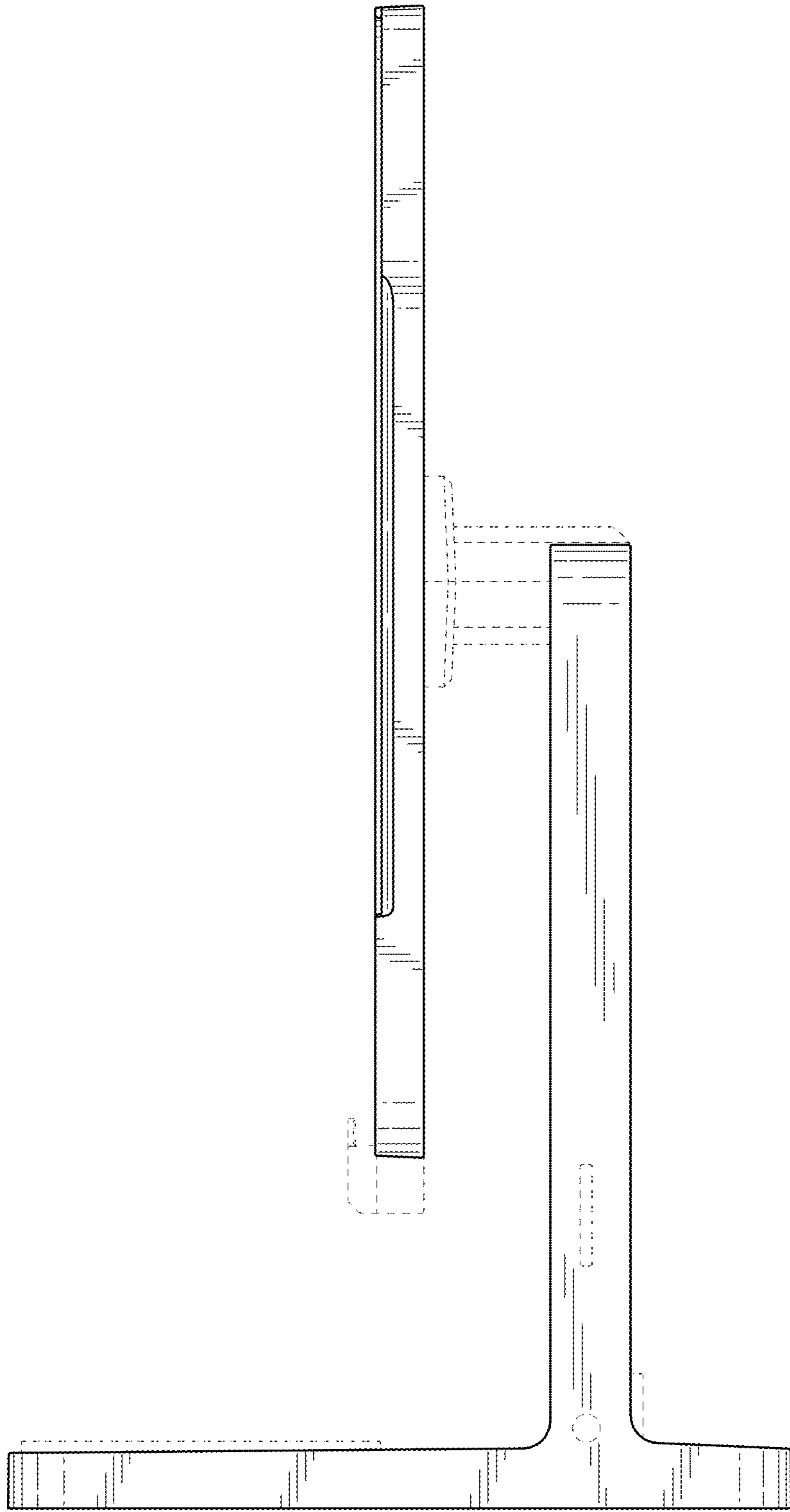


FIG. 10

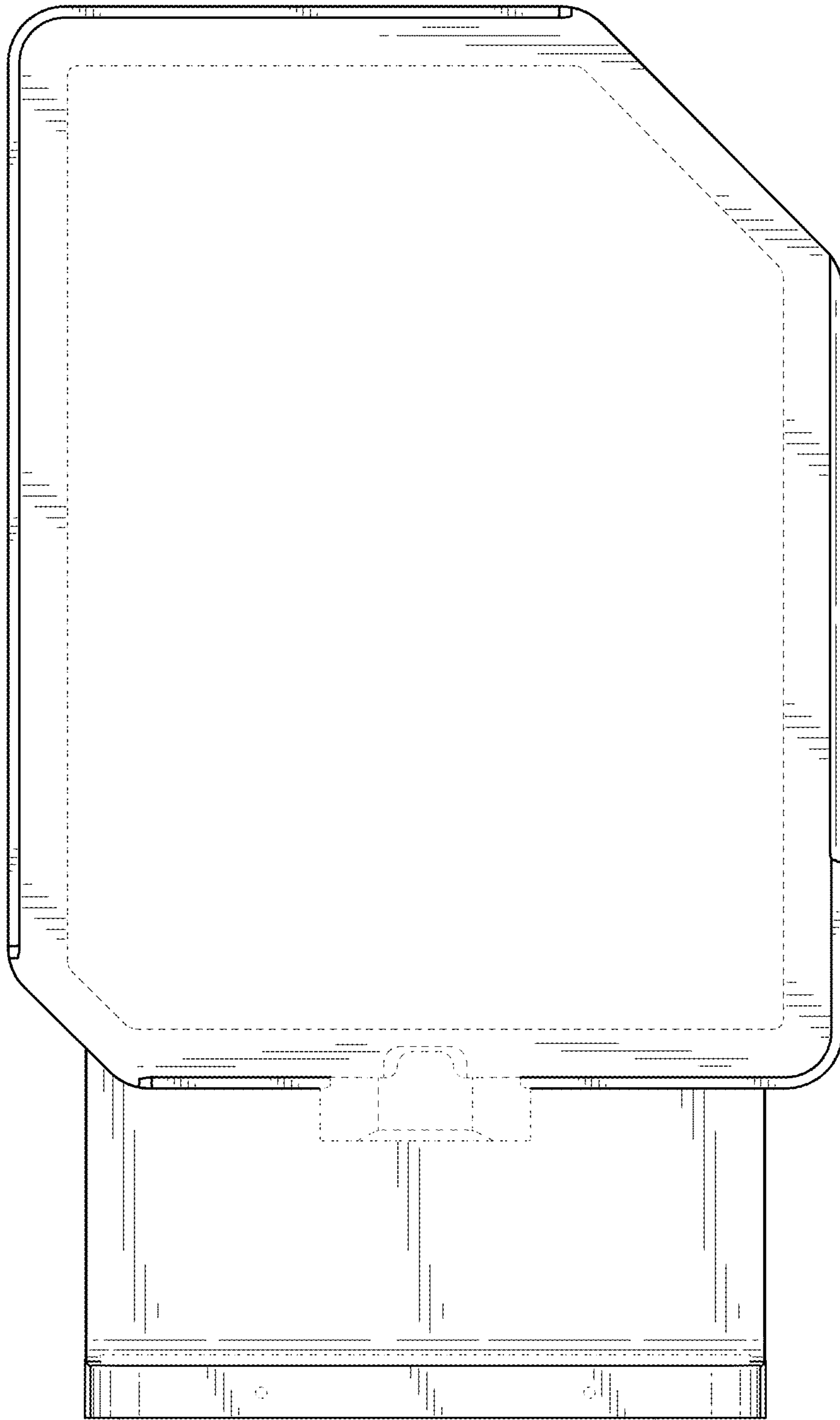


FIG. 11

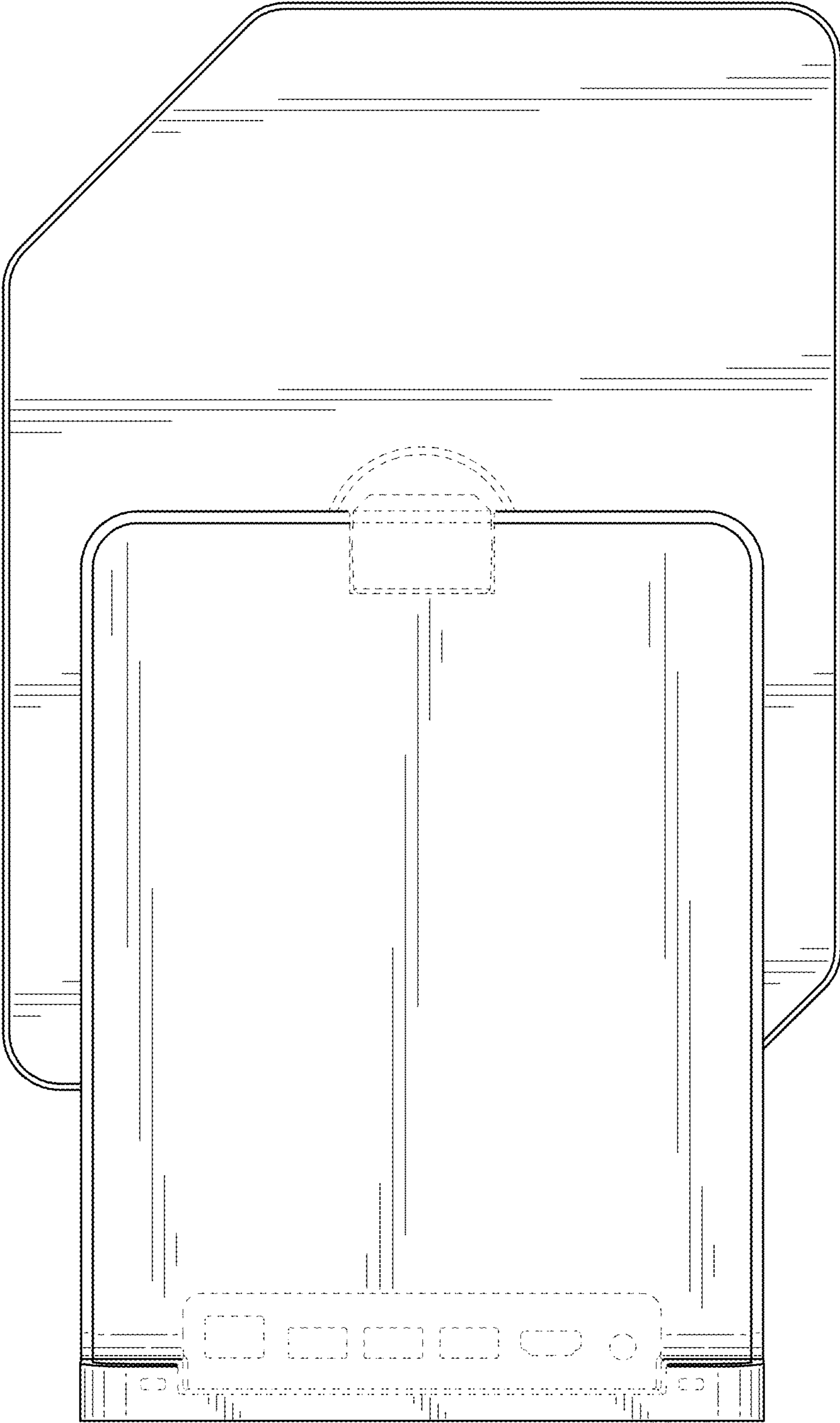


FIG. 12

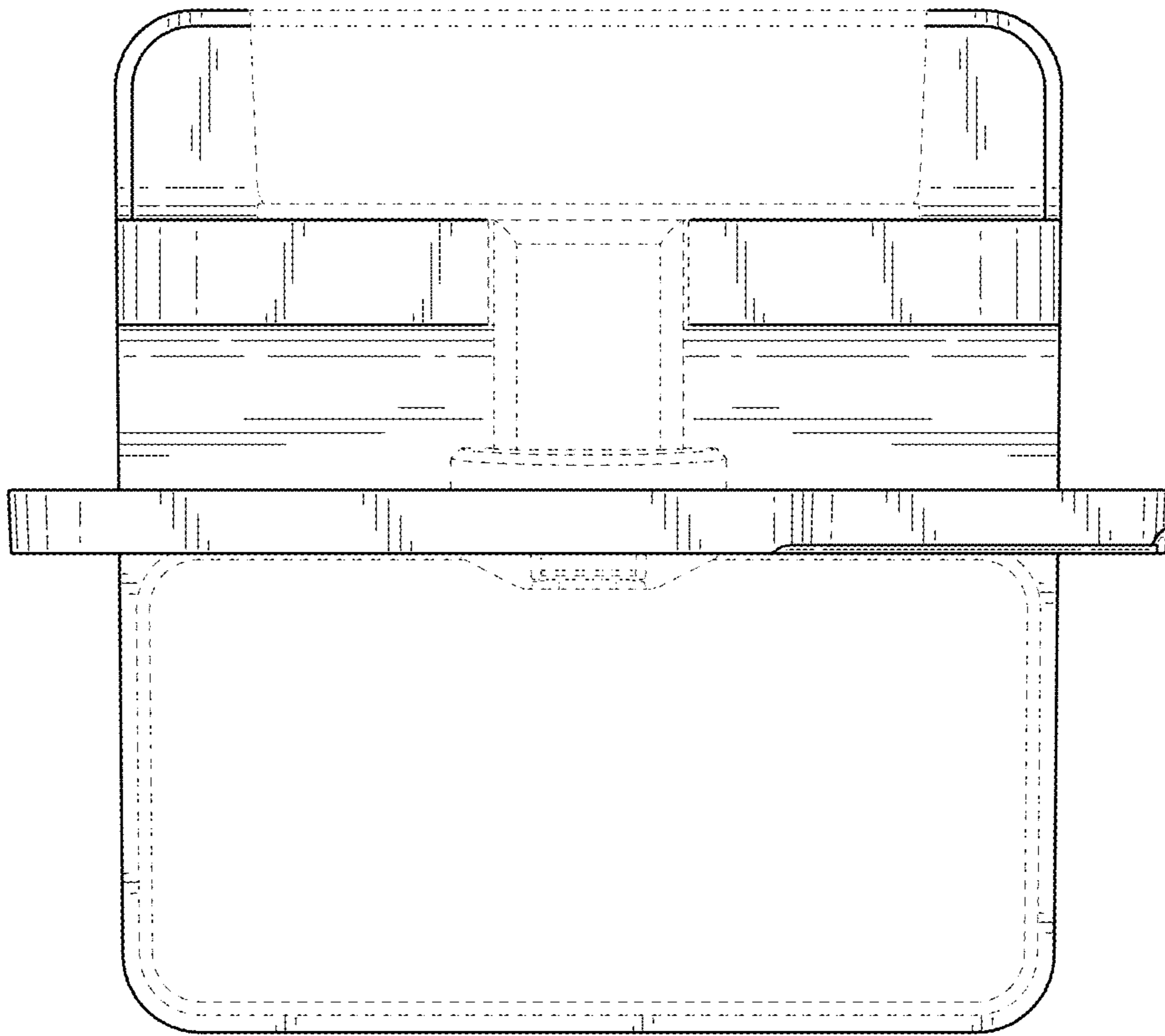


FIG. 13

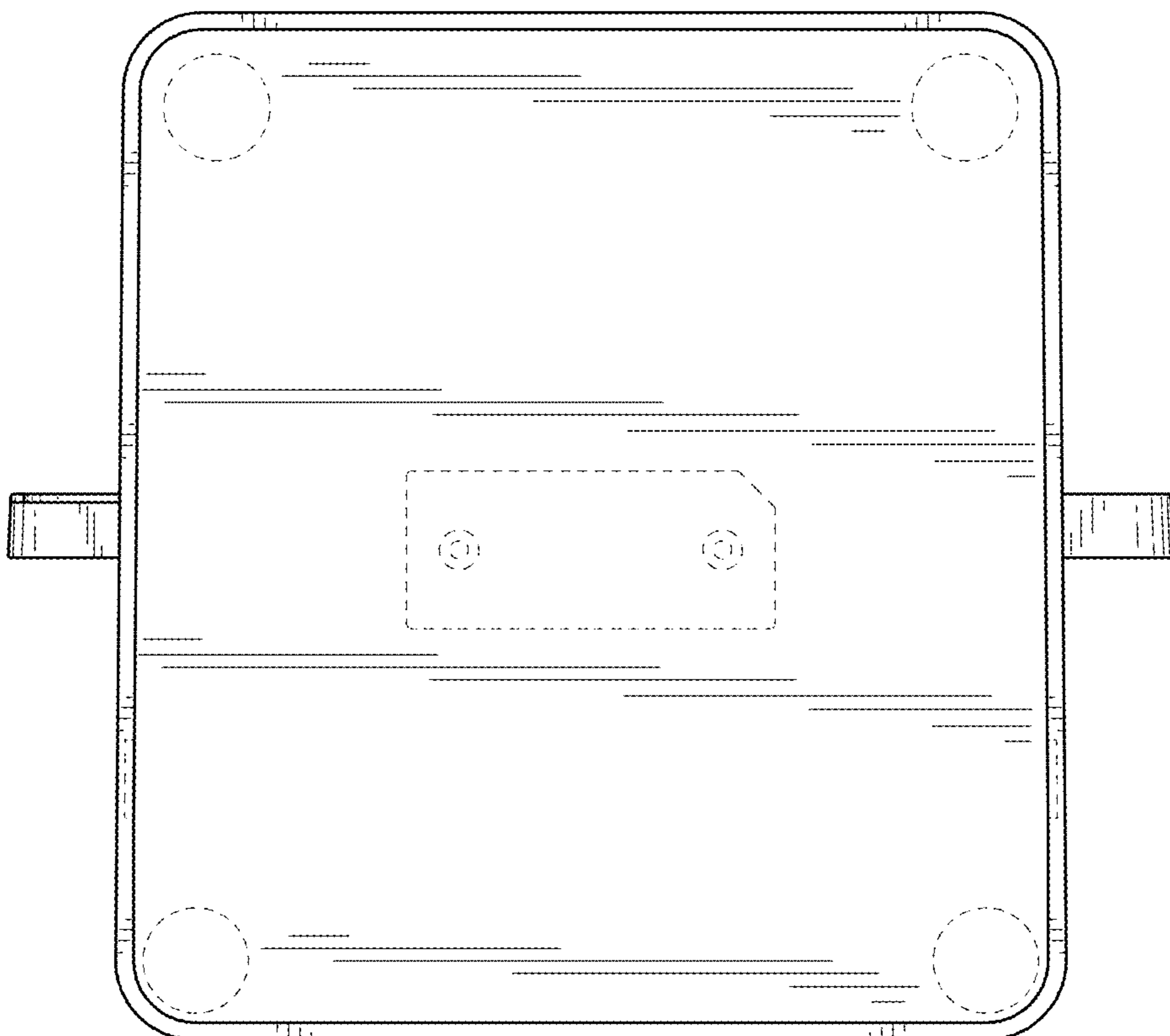


FIG. 14