



US00D944255S

(12) **United States Design Patent**
Damiani, Jr.

(10) **Patent No.:** **US D944,255 S**

(45) **Date of Patent:** **** Feb. 22, 2022**

(54) **SUPPORT HOUSING**

(71) Applicant: **Michael J. Damiani, Jr.**, Attleboro,
MA (US)

(72) Inventor: **Michael J. Damiani, Jr.**, Attleboro,
MA (US)

(73) Assignee: **Michael J. Damiani**, Attleboro, MA
(US)

(**) Term: **15 Years**

(21) Appl. No.: **29/687,134**

(22) Filed: **Apr. 10, 2019**

(51) **LOC (13) Cl.** **14-02**

(52) **U.S. Cl.**
USPC **D14/432**

(58) **Field of Classification Search**
USPC D14/300–302, 308–313, 314, 348,
D14/353–355, 432, 439–446, 240;
361/679.02, 679.31, 679.5, 690, 694,
361/679.23, 801, 802; 312/332.1, 334.1;
D13/162; D10/50

CPC B65H 1/00; B65H 1/266; B65H 2402/441;
B65H 2405/311; B65H 2405/313
See application file for complete search history.

(56) **References Cited**

U.S. PATENT DOCUMENTS

D424,962 S * 5/2000 Dawn D10/121
D662,501 S * 6/2012 Lohman D14/432
D662,937 S * 7/2012 Lohman D14/432

D735,199 S * 7/2015 Song D14/432
D735,724 S * 8/2015 Song D14/432
D743,404 S * 11/2015 Ignomirello D14/439
D830,364 S * 10/2018 Jhun D14/432
D832,257 S * 10/2018 Jhun D14/432
D864,962 S * 10/2019 Jhun D14/432
D871,414 S * 12/2019 Fidler D14/439
D888,059 S * 6/2020 Ranade D14/432
D888,716 S * 6/2020 Furujiku D14/432

* cited by examiner

Primary Examiner — Austin Murphy

(74) *Attorney, Agent, or Firm* — McInnes & McLane,
LLP

(57) **CLAIM**

The ornamental design for a support housing, as shown and described.

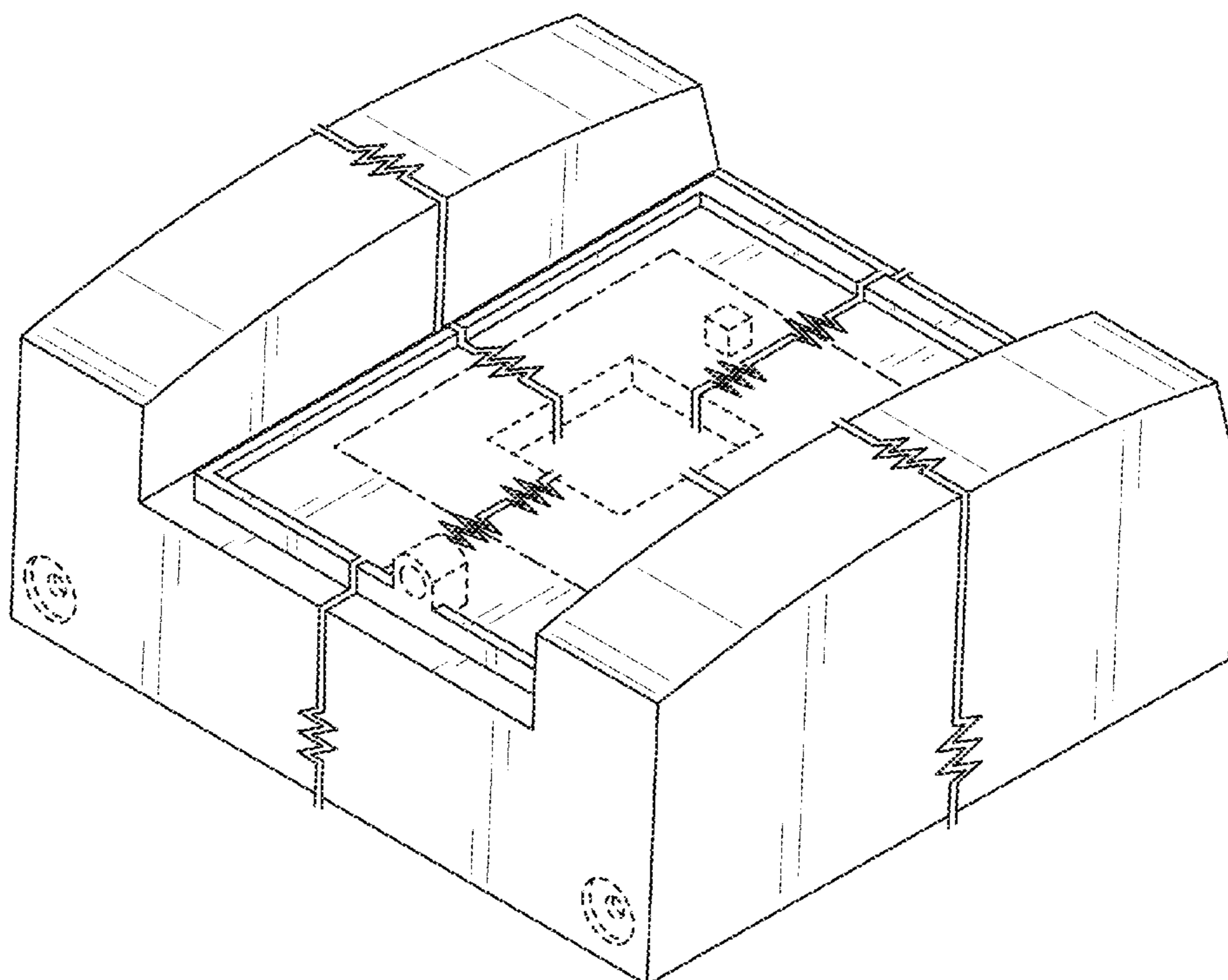
DESCRIPTION

FIG. 1 is a front, right side perspective view of a support housing showing my new design; FIG. 2 is a front elevational view thereof; FIG. 3 is a rear elevational view thereof; FIG. 4 is a left side elevational view thereof; FIG. 5 is a right side elevational view thereof; FIG. 6 is a top plan view thereof; and, FIG. 7 is a bottom plan view thereof.

The portions shown in broken lines are included for illustrative purposes only and form no part of the claimed design; the dash-dot-dash lines represent boundaries of the claimed design and form no part thereof.

The drawings include surface shading that represents contour and not surface ornamentation.

1 Claim, 5 Drawing Sheets



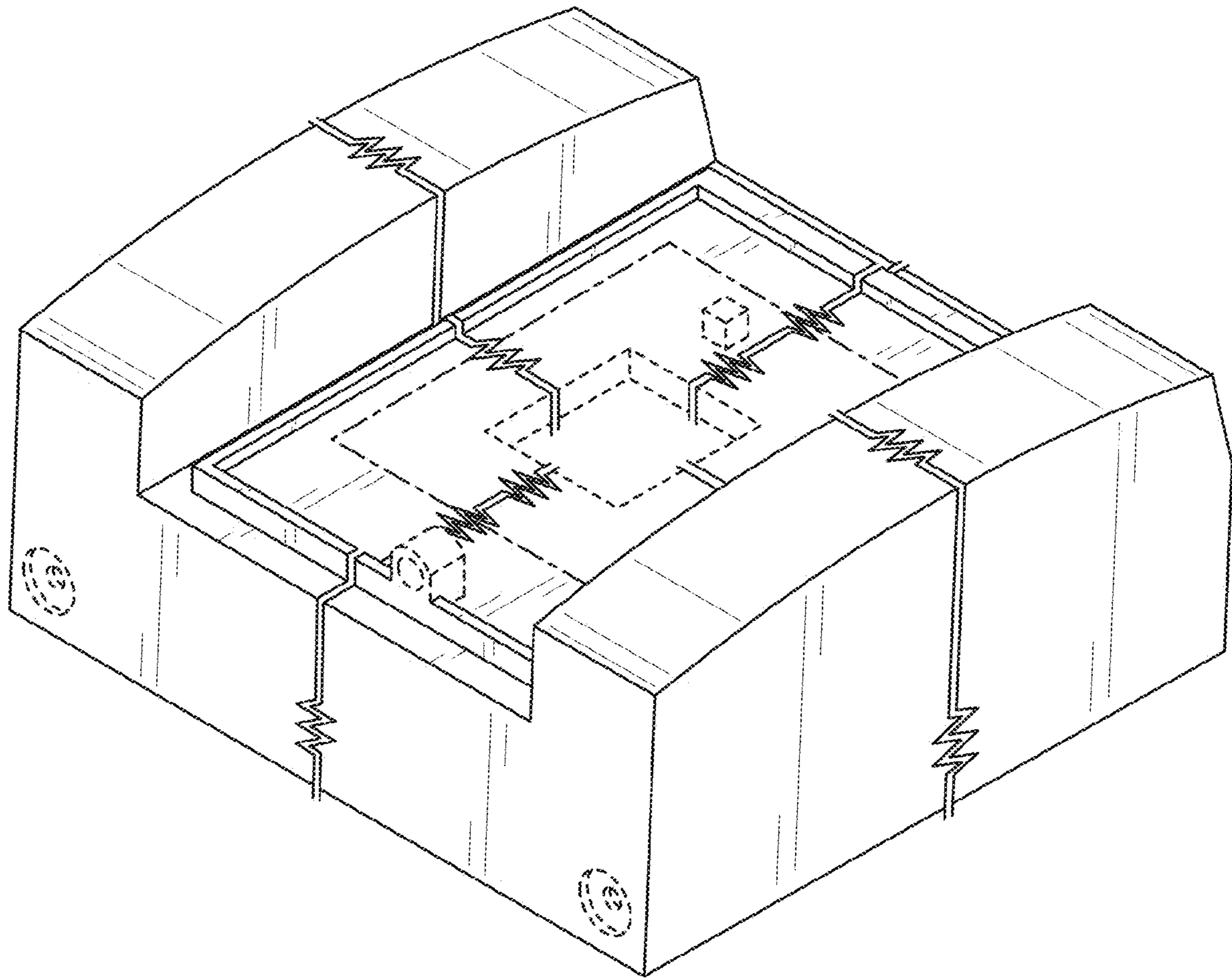


FIG. 1

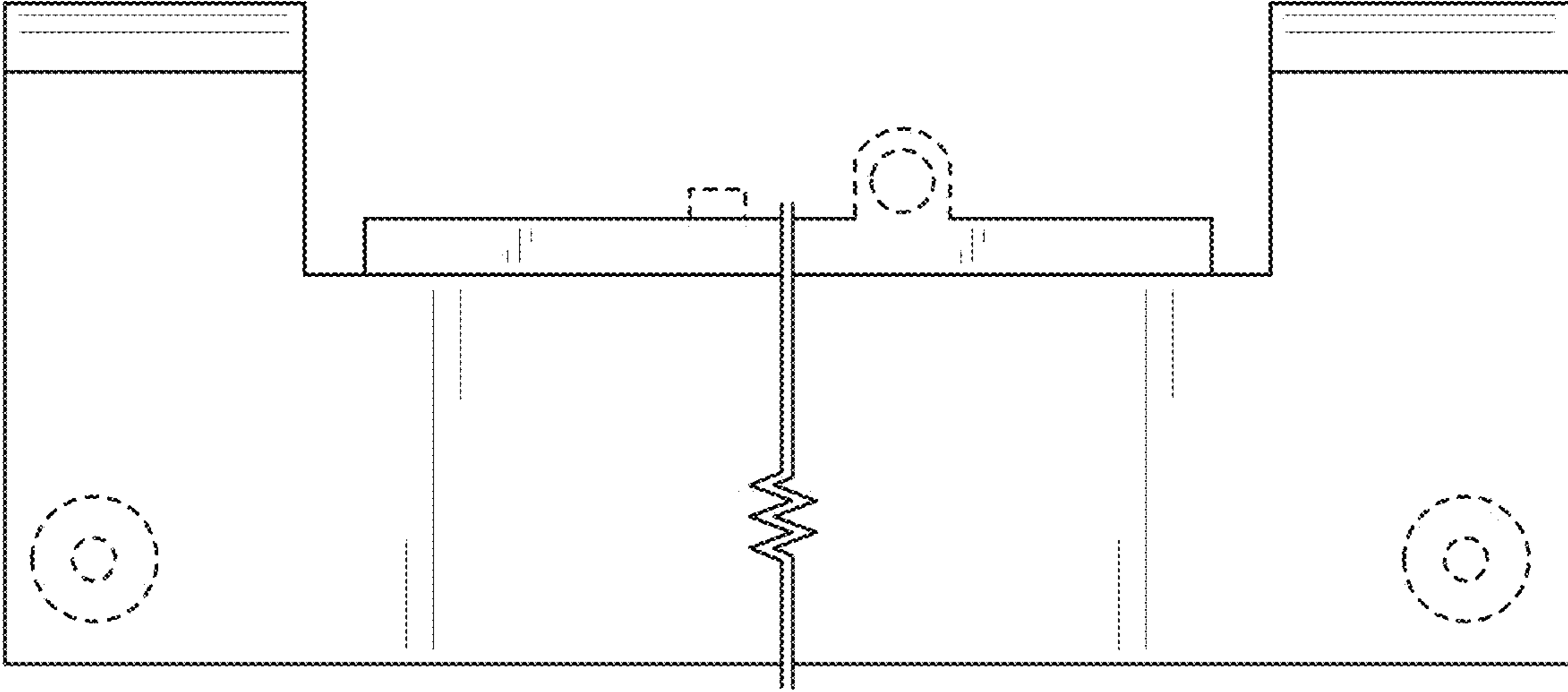


FIG. 2

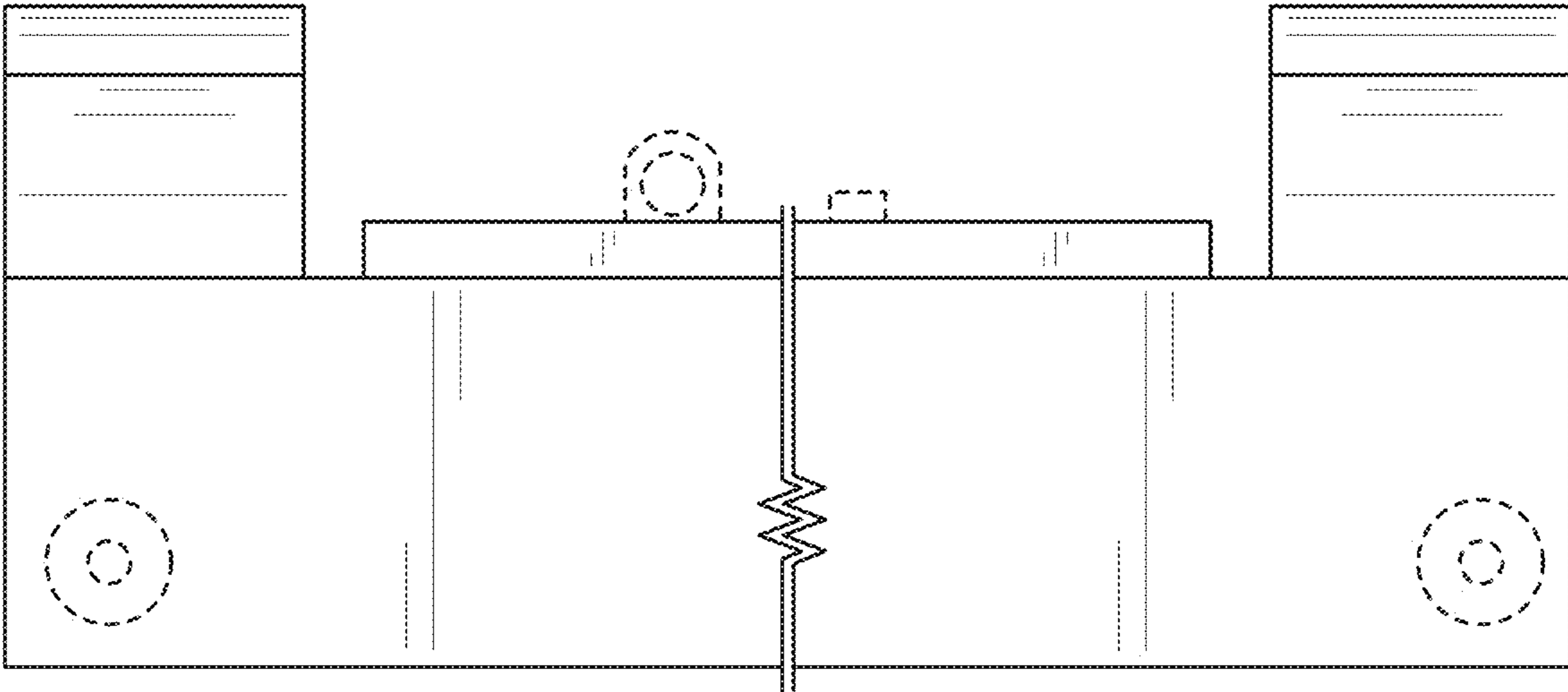


FIG. 3

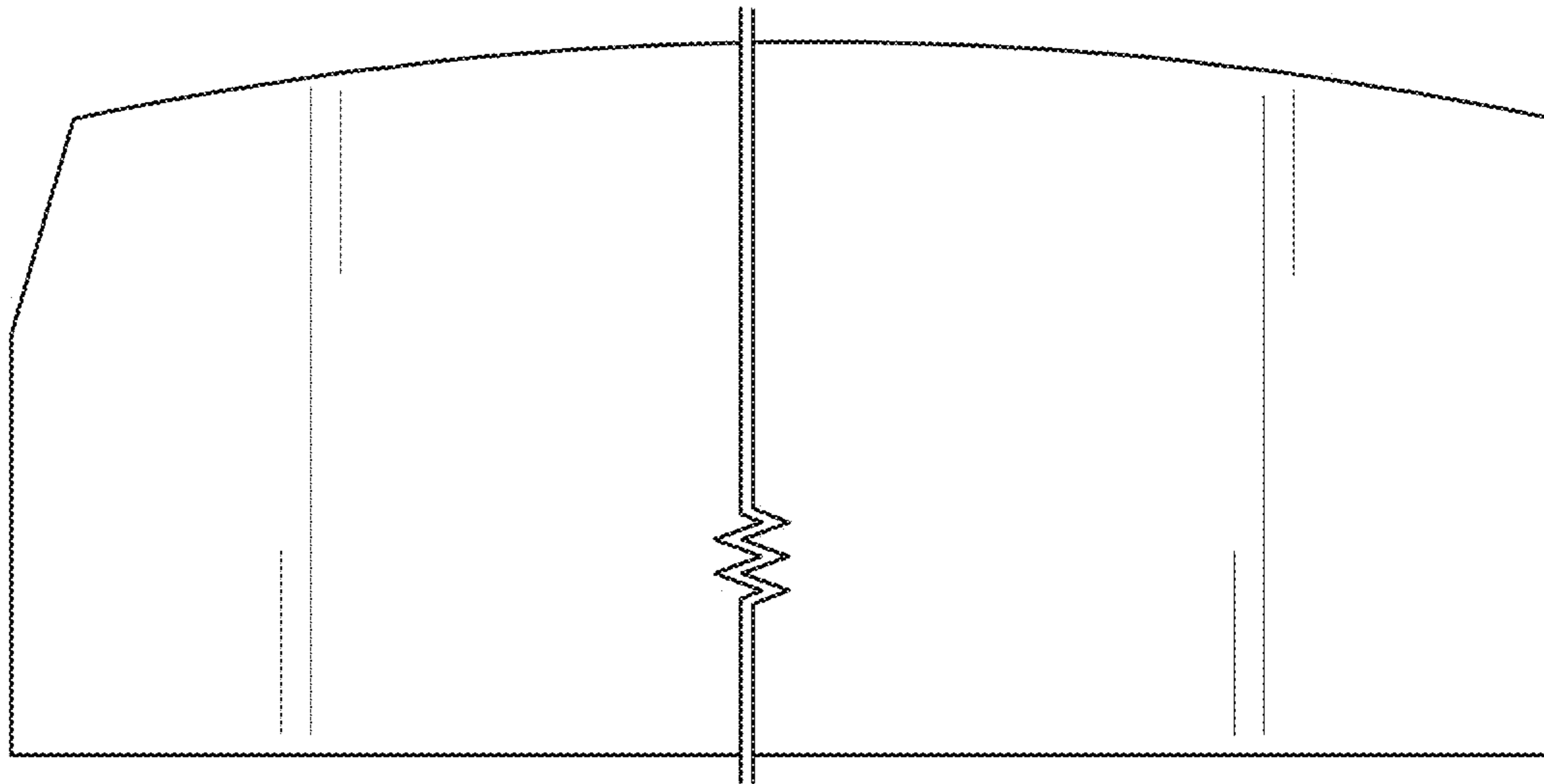


FIG. 4

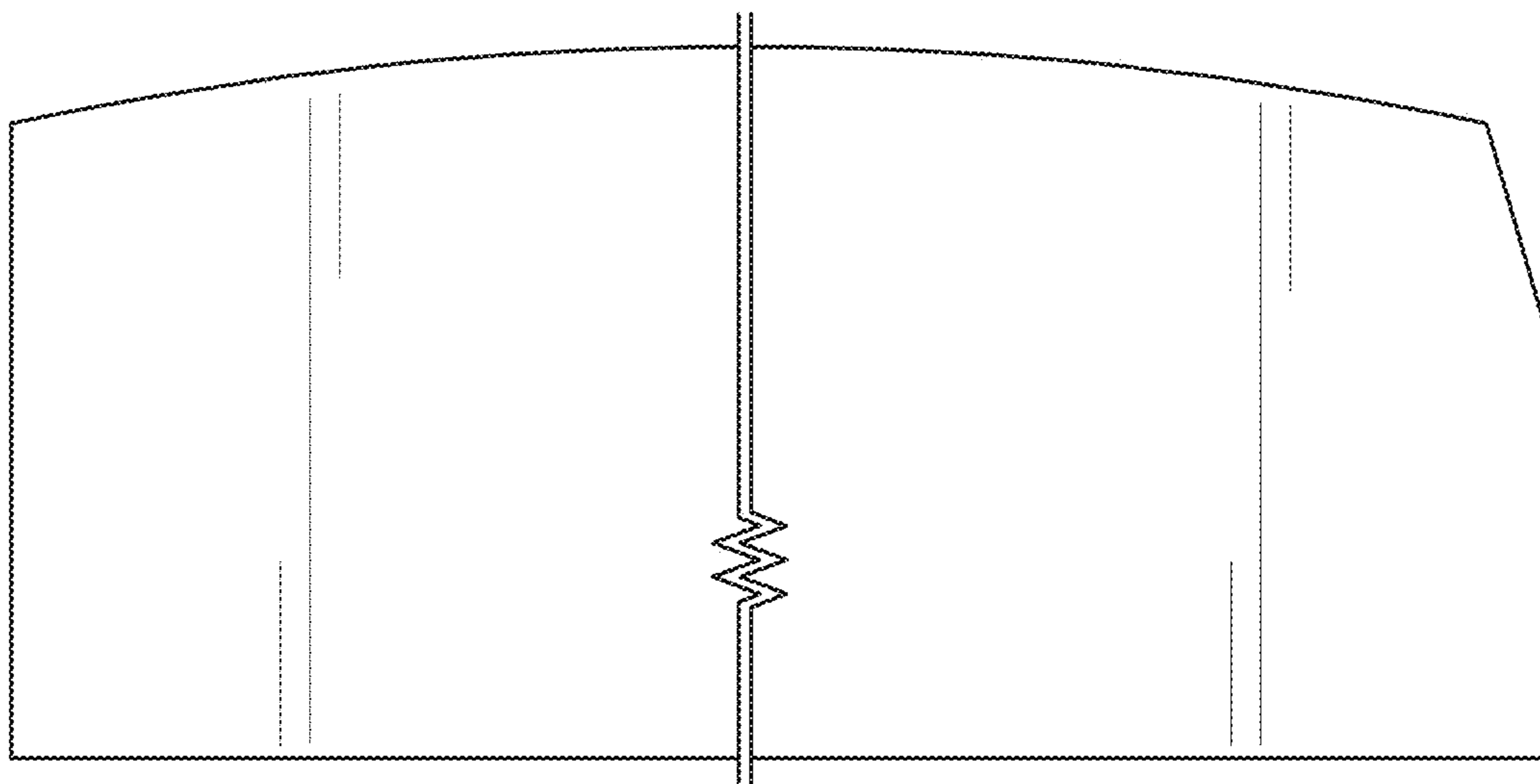


FIG. 5

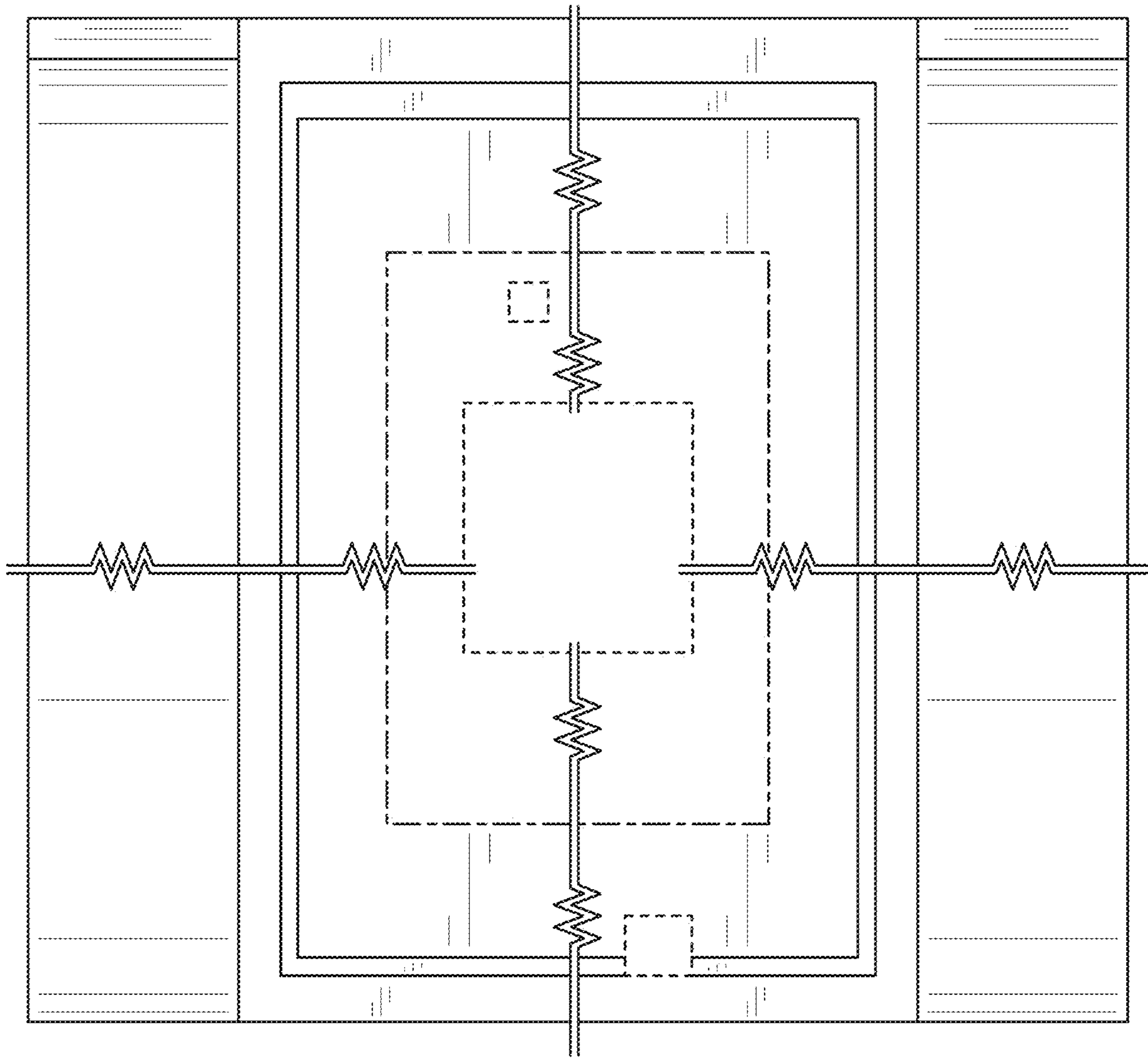


FIG. 6

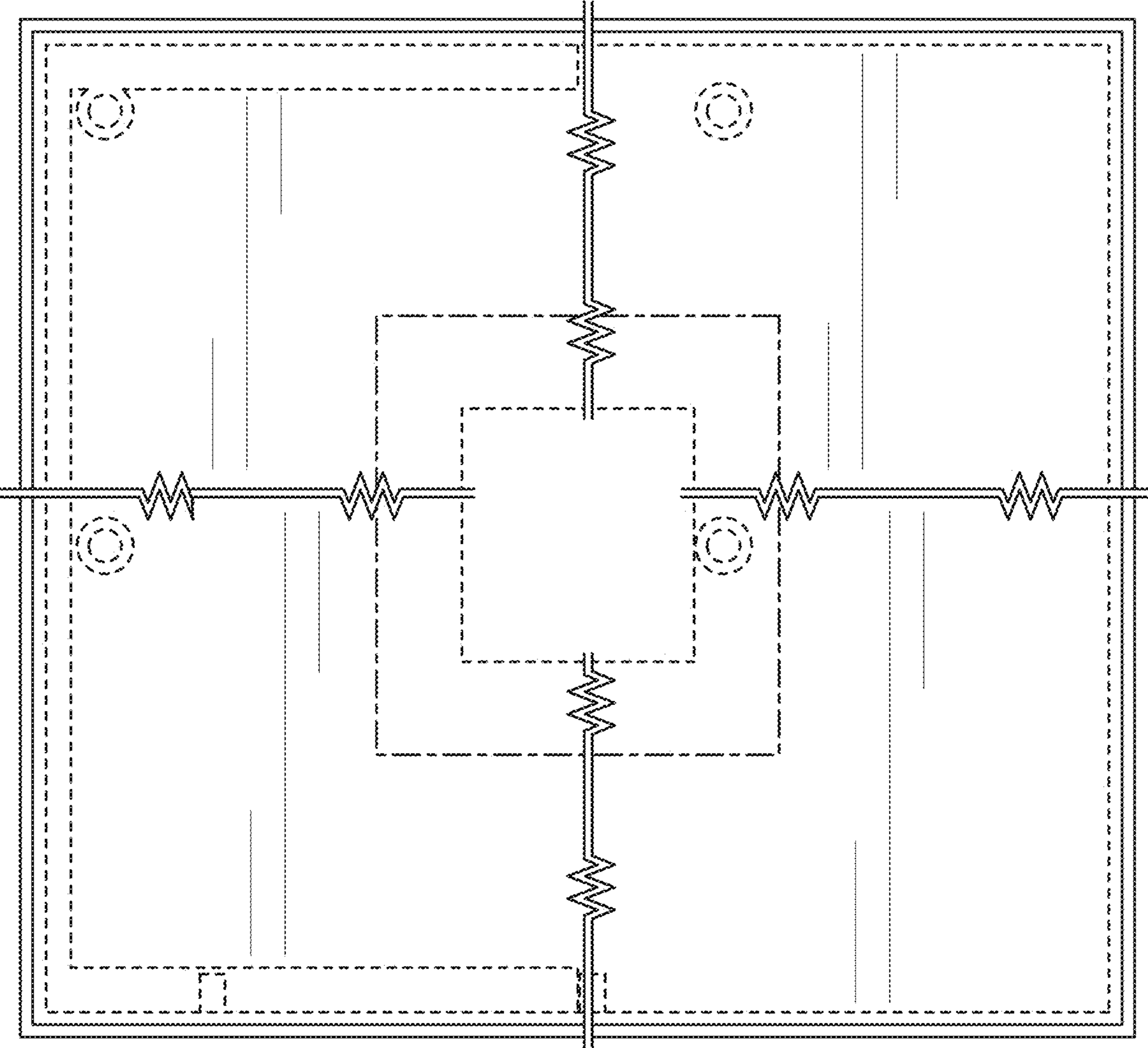


FIG. 7