



US00D944251S

(12) **United States Design Patent**  
**Peterson et al.**

(10) **Patent No.:** **US D944,251 S**

(45) **Date of Patent:** **\*\* Feb. 22, 2022**

(54) **KEYBOARD**

(71) Applicant: **Microsoft Corporation**, Redmond, WA (US)

(72) Inventors: **Benjamin S. Peterson**, Seattle, WA (US); **Patrick T. Gaule**, Bothell, WA (US); **Min Fang**, Shenzhen (CN); **Aditha May Adams**, Seattle, WA (US); **Simon Cameron Dearsley**, Bellevue, WA (US)

(73) Assignee: **Microsoft Corporation**, Redmond, WA (US)

(\*\*) Term: **15 Years**

(21) Appl. No.: **29/704,850**

(22) Filed: **Sep. 6, 2019**

(51) **LOC (13) Cl.** ..... **14-02**

(52) **U.S. Cl.**  
USPC ..... **D14/393**

(58) **Field of Classification Search**  
USPC ..... D14/247, 315-327, 331-333, 338, D14/345-347, 387, 390-401, 406, 429, D14/455-457, 460-461; D18/1-2, D18/4.1-4.6, 7, 11, 12.2, 52; D21/324, D21/409

CPC ..... B41J 5/00; B41J 5/10; B41J 5/12; G06F 3/021; G06F 3/0216; G06F 3/0219; G06F 3/02

See application file for complete search history.

(56) **References Cited**

U.S. PATENT DOCUMENTS

D357,011 S *	4/1995	Paull	.....	D14/393
D357,476 S *	4/1995	Paull	.....	D14/393
D362,432 S *	9/1995	Paull	.....	D14/393
D368,902 S *	4/1996	Sheu	.....	D14/393
D370,477 S *	6/1996	Chen	.....	D14/393
D372,910 S *	8/1996	Chen	.....	D14/393

D372,911 S *	8/1996	Wang	.....	D14/393
D373,351 S *	9/1996	Chen	.....	D14/393
D375,088 S *	10/1996	Tsai	.....	D14/393

(Continued)

FOREIGN PATENT DOCUMENTS

IN	327545-001-0001	*	12/2020
IN	327546-001-0001	*	12/2020

(Continued)

OTHER PUBLICATIONS

Ergonomic Keyboard, Microsoft, Microsoft.com, published by Andrew E. Freedman on Oct. 5, 2019 © Future US, Inc., online, site visited Apr. 12, 2021. Available at URL: <https://www.microsoft.com/en-us/p/microsoft-ergonomic-keyboard/93841ngdwr1h?activetab=pivot:overviewtab> (Year: 2019).\*

(Continued)

*Primary Examiner* — Lakiya G Rogers  
*Assistant Examiner* — Altaira J Swangin

(74) *Attorney, Agent, or Firm* — Banner & Witcoff, Ltd.

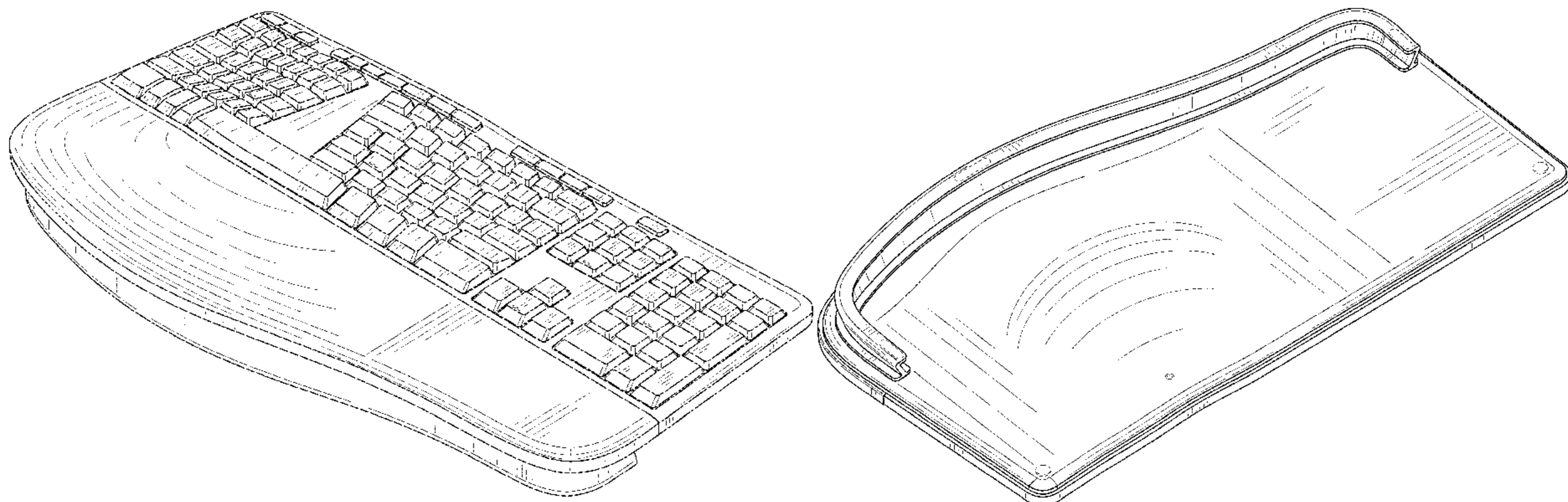
(57) **CLAIM**

The ornamental design for a keyboard, as shown and described.

**DESCRIPTION**

FIG. 1 is a top front perspective view of a keyboard showing our new design;  
FIG. 2 is a bottom rear perspective view thereof;  
FIG. 3 is a front view thereof;  
FIG. 4 is a rear view thereof;  
FIG. 5 is a right side view thereof;  
FIG. 6 is a left side view thereof;  
FIG. 7 is a top view thereof; and,  
FIG. 8 is a bottom view thereof.  
The broken lines illustrate portions of the keyboard and form no part of the claimed design.

**1 Claim, 6 Drawing Sheets**



(56)

References Cited

U.S. PATENT DOCUMENTS

D386,169 S \* 11/1997 Wang ..... D14/393  
 D387,050 S \* 12/1997 Chen ..... D14/393  
 D389,137 S \* 1/1998 Tsai ..... D14/393  
 D397,105 S \* 8/1998 Chen ..... D14/393  
 D399,838 S \* 10/1998 Tsai ..... D14/393  
 D419,984 S \* 2/2000 Wang ..... D14/398  
 D422,273 S \* 4/2000 Lee ..... D14/393  
 D428,888 S \* 8/2000 Ledbetter ..... D14/393  
 D428,889 S \* 8/2000 Chen ..... D14/393  
 D450,056 S 11/2001 Ledbetter et al.  
 D451,516 S 12/2001 Hayes  
 D468,320 S 1/2003 Jones et al.  
 D497,913 S 11/2004 Jones et al.  
 D540,807 S 4/2007 DeMaio et al.  
 D546,828 S 7/2007 O'Neil et al.  
 D546,829 S 7/2007 O'Neil et al.  
 D546,831 S \* 7/2007 O'Neil ..... D14/455  
 D547,759 S 7/2007 DeMaio et al.  
 D551,229 S 9/2007 DeMaio et al.  
 D554,121 S 10/2007 Fisher et al.  
 D590,397 S \* 4/2009 O'Neill ..... D14/398  
 D597,544 S \* 8/2009 Chatterjee ..... D14/398  
 D598,918 S 8/2009 Kim et al.  
 D599,350 S 9/2009 O'Neil et al.  
 D601,563 S 10/2009 Kujawski  
 D601,568 S 10/2009 Kujawski  
 D606,073 S 12/2009 O'Neil et al.  
 D619,577 S 7/2010 Kujawski  
 D626,127 S 10/2010 Odell et al.  
 D629,403 S 12/2010 Raken et al.  
 D633,497 S 3/2011 Reed et al.  
 D676,049 S 2/2013 Lee et al.  
 D715,298 S 10/2014 Hong et al.  
 D721,365 S 1/2015 Kim et al.  
 D721,366 S 1/2015 Kim et al.  
 D721,367 S 1/2015 Kim et al.  
 D721,368 S 1/2015 Kim et al.  
 D721,369 S 1/2015 Kim et al.  
 D748,633 S 2/2016 Yang et al.  
 D760,226 S 6/2016 Bailey et al.  
 D770,454 S 11/2016 Lee et al.  
 D773,472 S 12/2016 Bailey et al.  
 D779,488 S 2/2017 Chen et al.  
 D781,293 S 3/2017 Mitchell  
 D783,617 S 4/2017 Chrenka et al.

D790,544 S 6/2017 Chen et al.  
 D795,258 S 8/2017 Bell  
 D798,299 S 9/2017 Raken et al.  
 D803,835 S \* 11/2017 Zheng ..... D14/398  
 D811,401 S 2/2018 Lehman et al.  
 D832,840 S 11/2018 Shi  
 D879,098 S 3/2020 Wu  
 2006/0275069 A1 \* 12/2006 Jones ..... G06F 3/0216  
 400/490  
 2007/0014621 A1 \* 1/2007 Lane ..... A47B 21/0371  
 400/715  
 2012/0235916 A1 \* 9/2012 Atzmon ..... G06F 3/0216  
 345/168  
 2013/0147716 A1 \* 6/2013 Hawker ..... F16M 13/00  
 345/168  
 2018/0232060 A1 \* 8/2018 Lien ..... H01H 13/70

FOREIGN PATENT DOCUMENTS

JP D1282802 \* 10/2006  
 JP D1590105 \* 11/2017  
 WO WO-D206811-002 \* 8/2020  
 WO WO-D206811-003 \* 8/2020

OTHER PUBLICATIONS

Tru-Form Illuminated Ergonomic Keyboard, Adesso, amazon.com, published by Adesso on Sep. 2, 2014 © 1996-2021, Amazon.com, Inc., online, site visited Apr. 12, 2021. Available at URL: <https://www.amazon.com/Adesso-AKB-150EB-Illuminated-Multimedia-Built/dp/B00N99LPC6> (Year: 2014).  
 "Office Action Issued in Indian Patent Application No. 327545-001", dated Mar. 18, 2020, 2 Pages.  
 "Office Action Issued in Indian Patent Application No. 327547-001", dated Mar. 20, 2020, 2 Pages.  
 "Office Action Issued in Indian Patent Application No. 327544-001", dated Apr. 30, 2020, 2 Pages.  
 "Office Action Issued in Indian Patent Application No. 327546-001", dated Apr. 30, 2020, 2 Pages.  
 "Notice of Allowance Issued in U.S. Appl. No. 29/704,792", dated Jan. 4, 2021, 6 Pages.  
 "Non Final Office Action Issued in U.S. Appl. No. 29/704,852", dated Jun. 24, 2021, 10 Pages.

\* cited by examiner

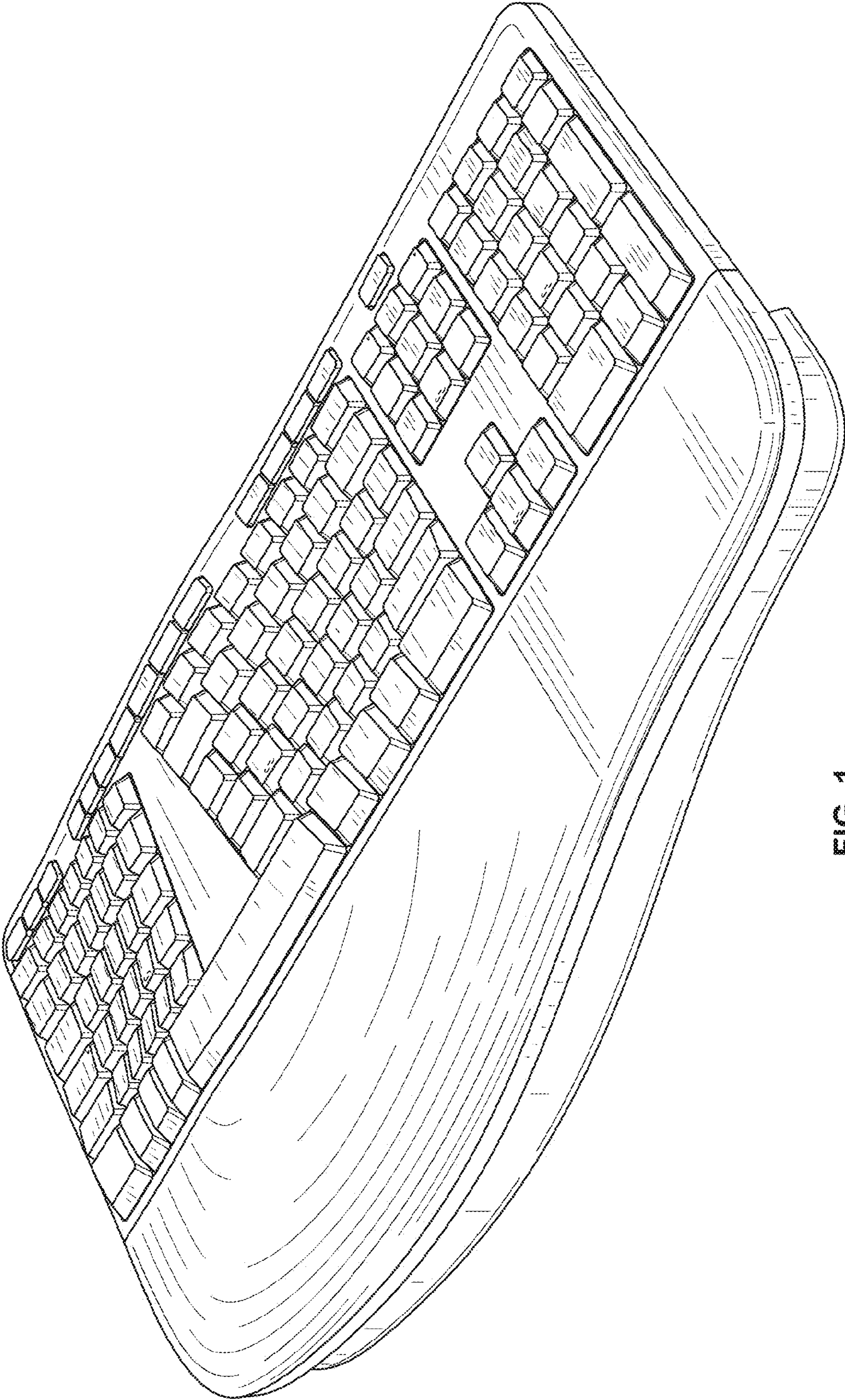


FIG. 1

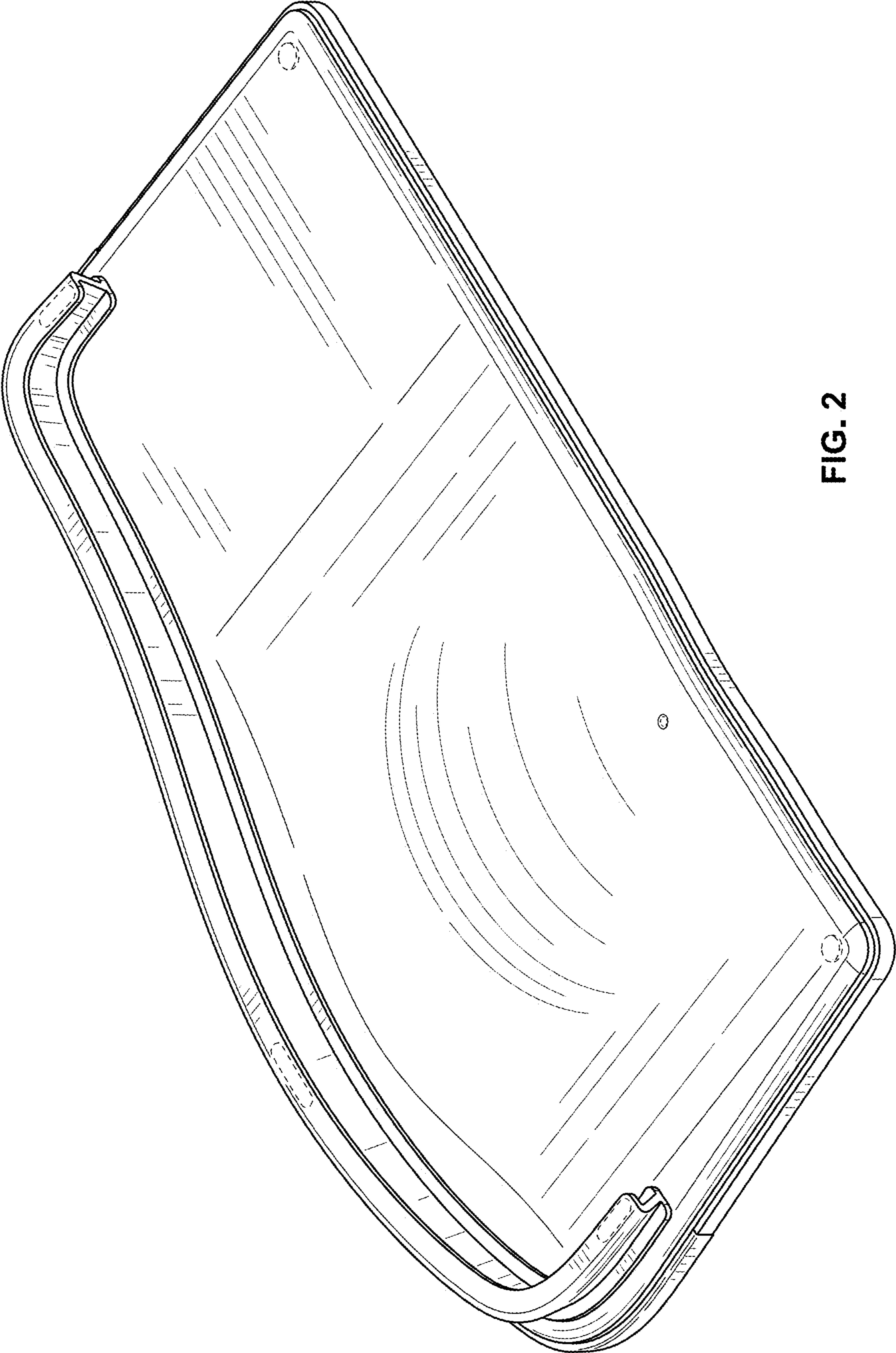


FIG. 2

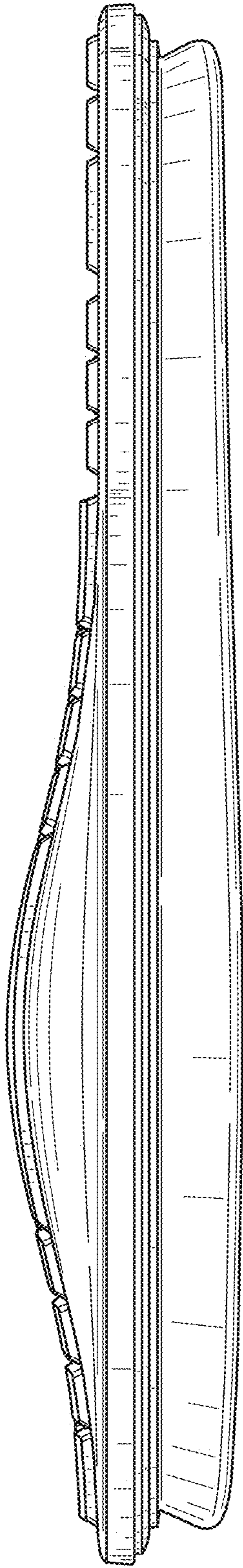


FIG. 3

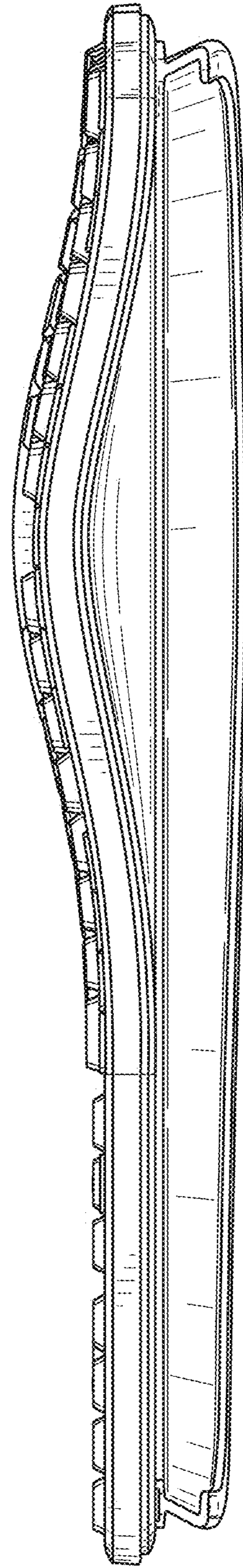


FIG. 4

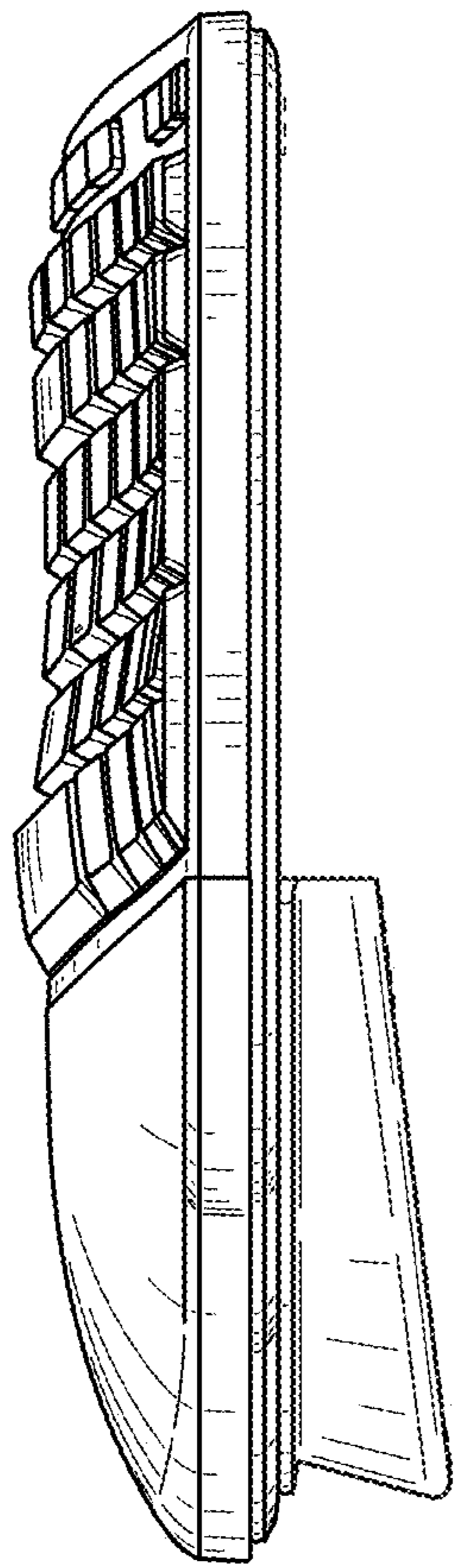


FIG. 5

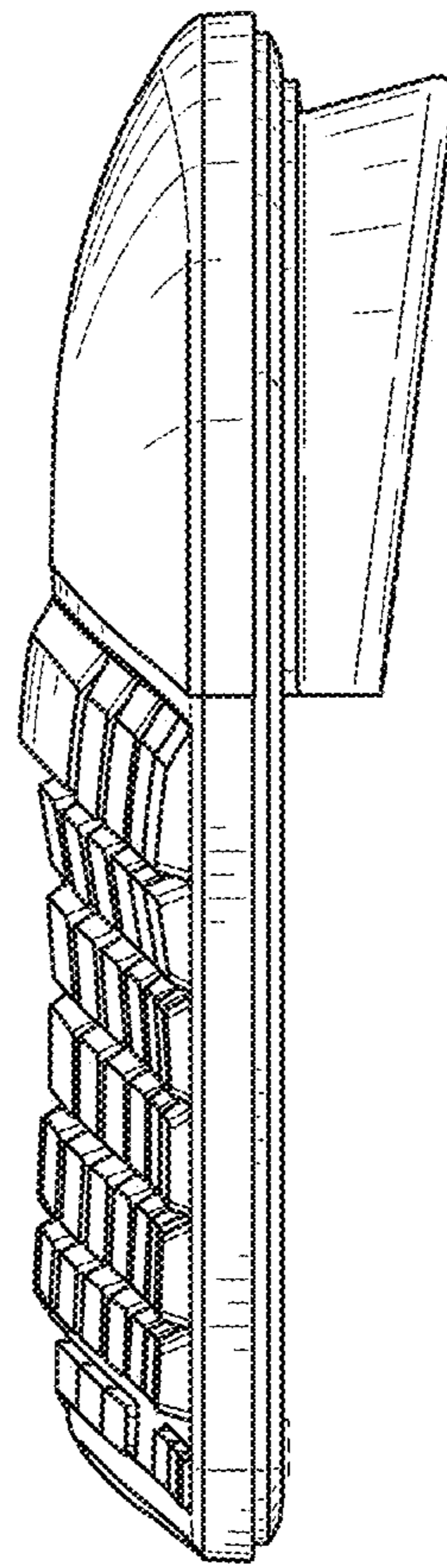


FIG. 6

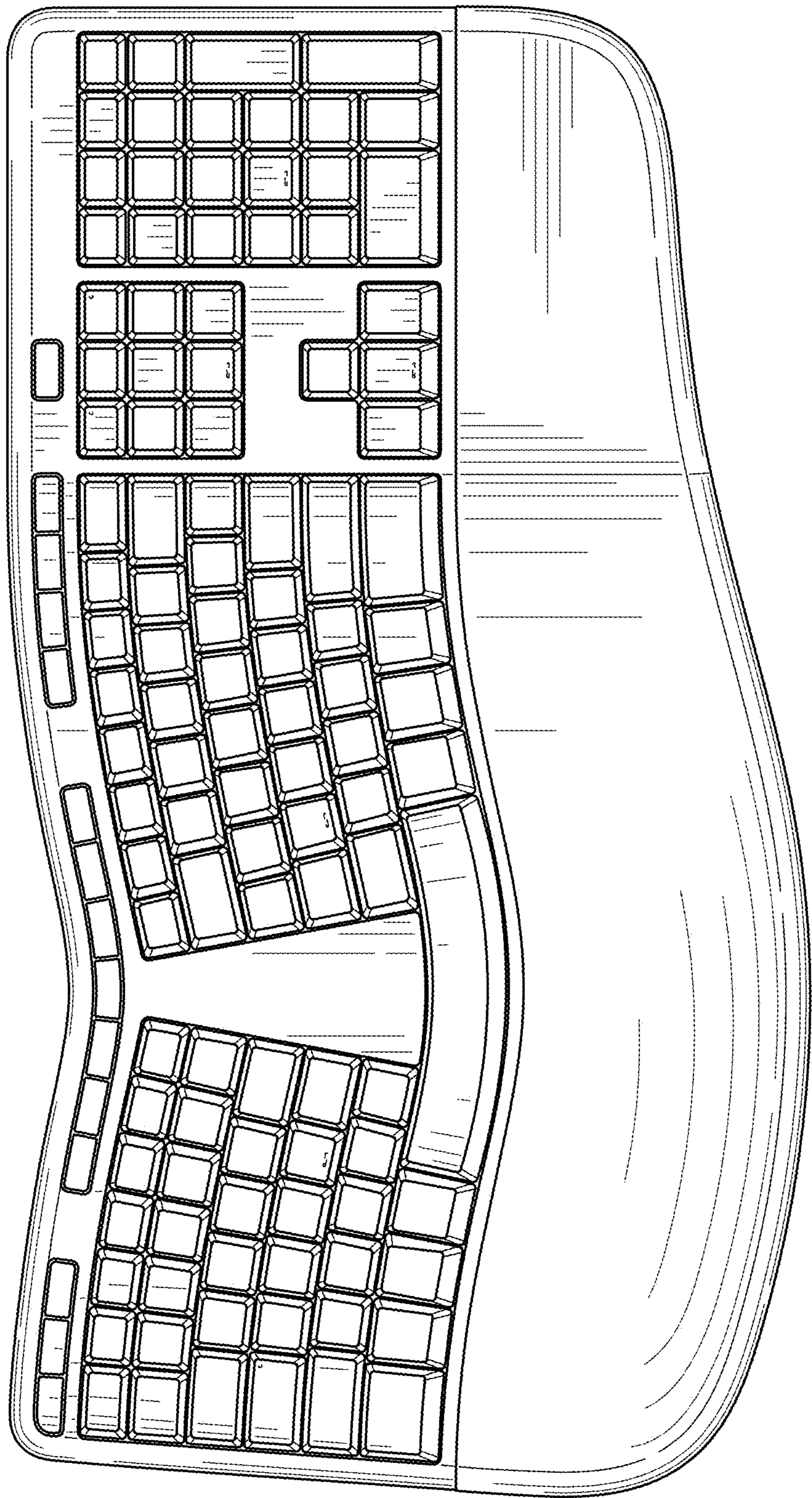


FIG. 7

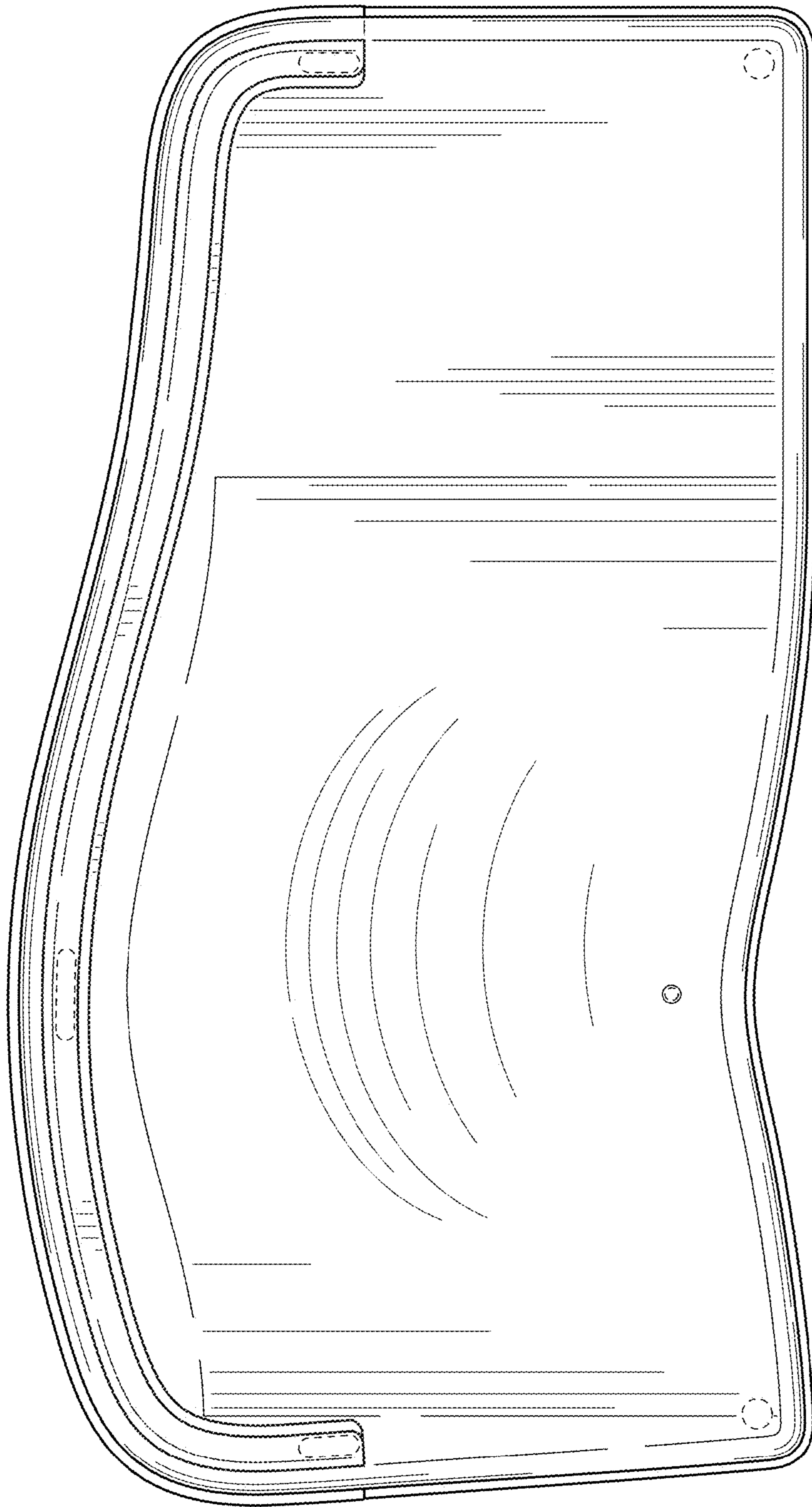


FIG. 8