



US00D944249S

(12) **United States Design Patent**
Rodriguez

(10) **Patent No.:** **US D944,249 S**

(45) **Date of Patent:** **** Feb. 22, 2022**

(54) **APPARATUS FOR SUPPORTING AN ELECTRONIC VIEWING DEVICE**

(71) Applicant: **Zanni, LLC**, Madison, NJ (US)

(72) Inventor: **David Solomon Rodriguez**, Madison, NJ (US)

(73) Assignee: **Zanni, LLC**, Madison, NJ (US)

(**) Term: **15 Years**

(21) Appl. No.: **29/799,865**

(22) Filed: **Jul. 16, 2021**

Related U.S. Application Data

(63) Continuation of application No. 29/712,226, filed on Nov. 6, 2019, now abandoned.

(51) **LOC (13) Cl.** **14-02**

(52) **U.S. Cl.**
USPC **D14/372**

(58) **Field of Classification Search**

USPC D14/372, 496, 432, 371, 125, 126, 129, D14/299; D16/300-342; 351/158, 153, 351/144; 345/7-9, 905; 455/344; 348/115, 53, 121, 739
CPC G02B 27/017; G02B 27/0158; G02B 27/0161; G02B 27/0181; G02B 27/0185; G02B 27/0189

See application file for complete search history.

(56) **References Cited**

U.S. PATENT DOCUMENTS

D792,400 S * 7/2017 Osterhout D14/372
D795,952 S * 8/2017 Natsume D16/309
D796,504 S * 9/2017 Natsume D14/372
D796,505 S * 9/2017 Natsume D14/372
D796,506 S * 9/2017 Natsume D14/372
D864,959 S * 10/2019 Osterhout D14/372

D873,329 S * 1/2020 Berenson D16/312
D875,730 S * 2/2020 Lau D14/372
D916,948 S * 4/2021 Dominguez D16/326
D917,478 S * 4/2021 Wang D14/372
D918,202 S * 5/2021 Natsume D14/372

(Continued)

OTHER PUBLICATIONS

Google Cardboard Manufacturer's Kit (I/O 2015), Technical Specification, v2.0, Jul. 2015.

(Continued)

Primary Examiner — Austin Murphy

(74) *Attorney, Agent, or Firm* — Rita C. Chipperson; Chipperson Law Group, P.C.

(57) **CLAIM**

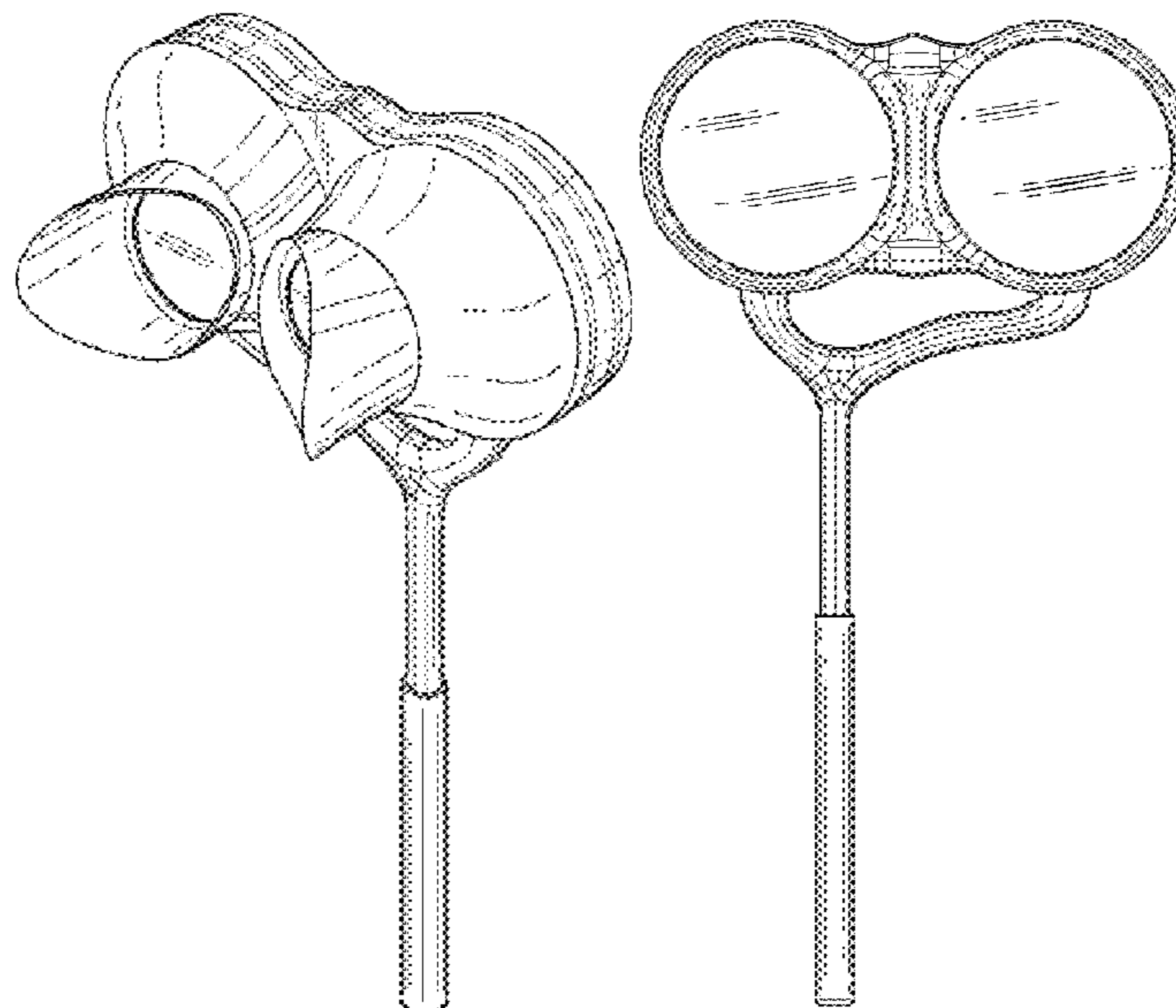
The ornamental design for an apparatus for supporting an electronic viewing device, as shown and described.

DESCRIPTION

A portion of the disclosure of this patent document may contain material which is subject to copyright protection. The copyright owner has no objection to the facsimile reproduction by anyone of the patent document or the patent disclosure, as it appears in the Patent and Trademark Office patent file or records, but otherwise reserves all copyright whatsoever.

FIG. 1 is a front perspective view of an apparatus for supporting an electronic viewing device;
FIG. 2 is a rear perspective view of an apparatus for supporting an electronic viewing device;
FIG. 3 is a front elevational view thereof;
FIG. 4 is a rear elevational view thereof;
FIG. 5 is a right side view thereof;
FIG. 6 is a left side view thereof;
FIG. 7 is a top plan view thereof; and,
FIG. 8 is a bottom plan view thereof.

1 Claim, 6 Drawing Sheets



(56)

References Cited

U.S. PATENT DOCUMENTS

D918,906 S * 5/2021 Natsume D14/372

OTHER PUBLICATIONS

Works with Google Cardboard—Guidelines and Best Practices, Version 2.1, Feb. 2016.

Works with Google Cardboard—Viewer Profile and Badge Guidelines, Version 1.2, Feb. 2016.

* cited by examiner

FIG. 1

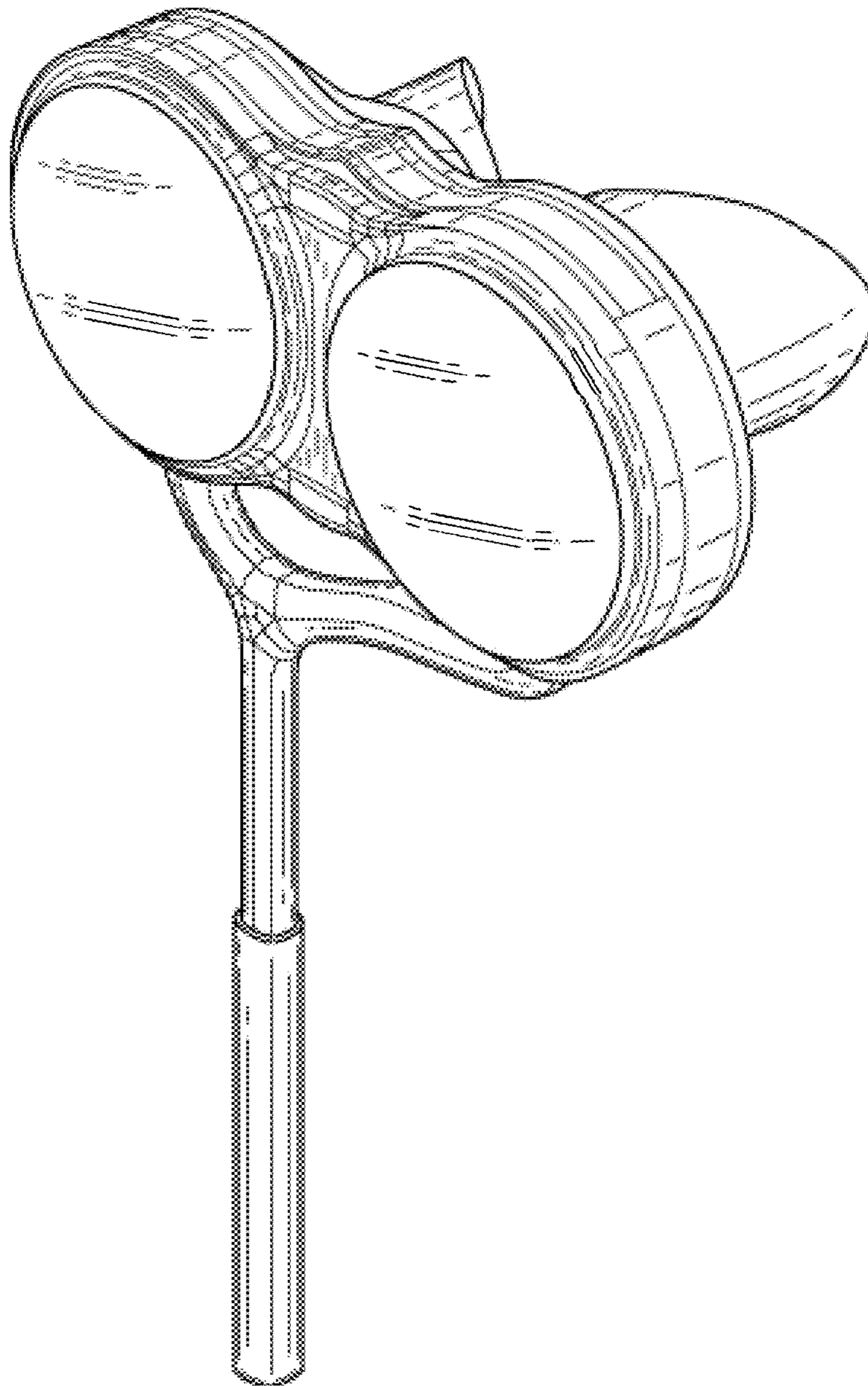


FIG. 2

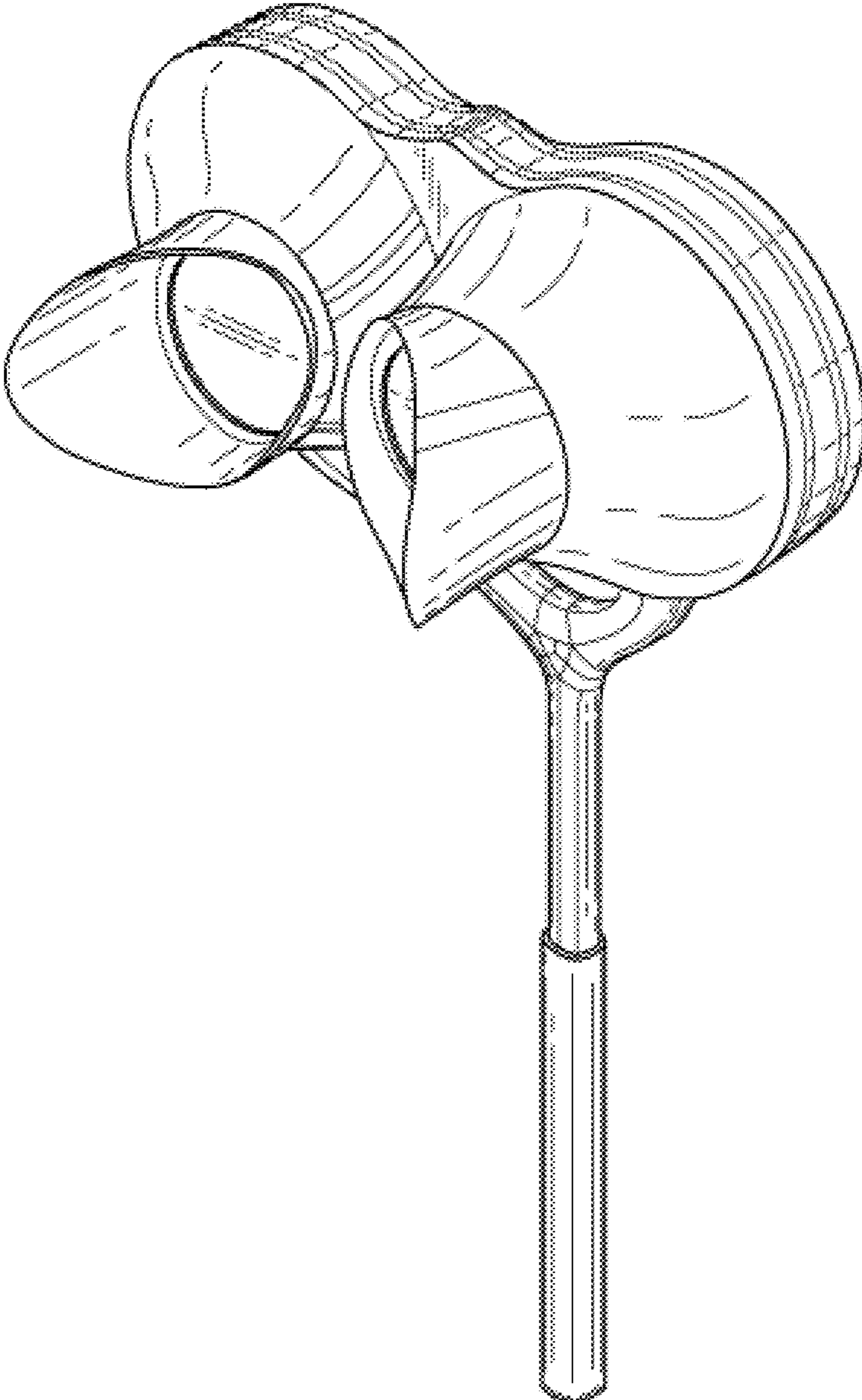


FIG. 3

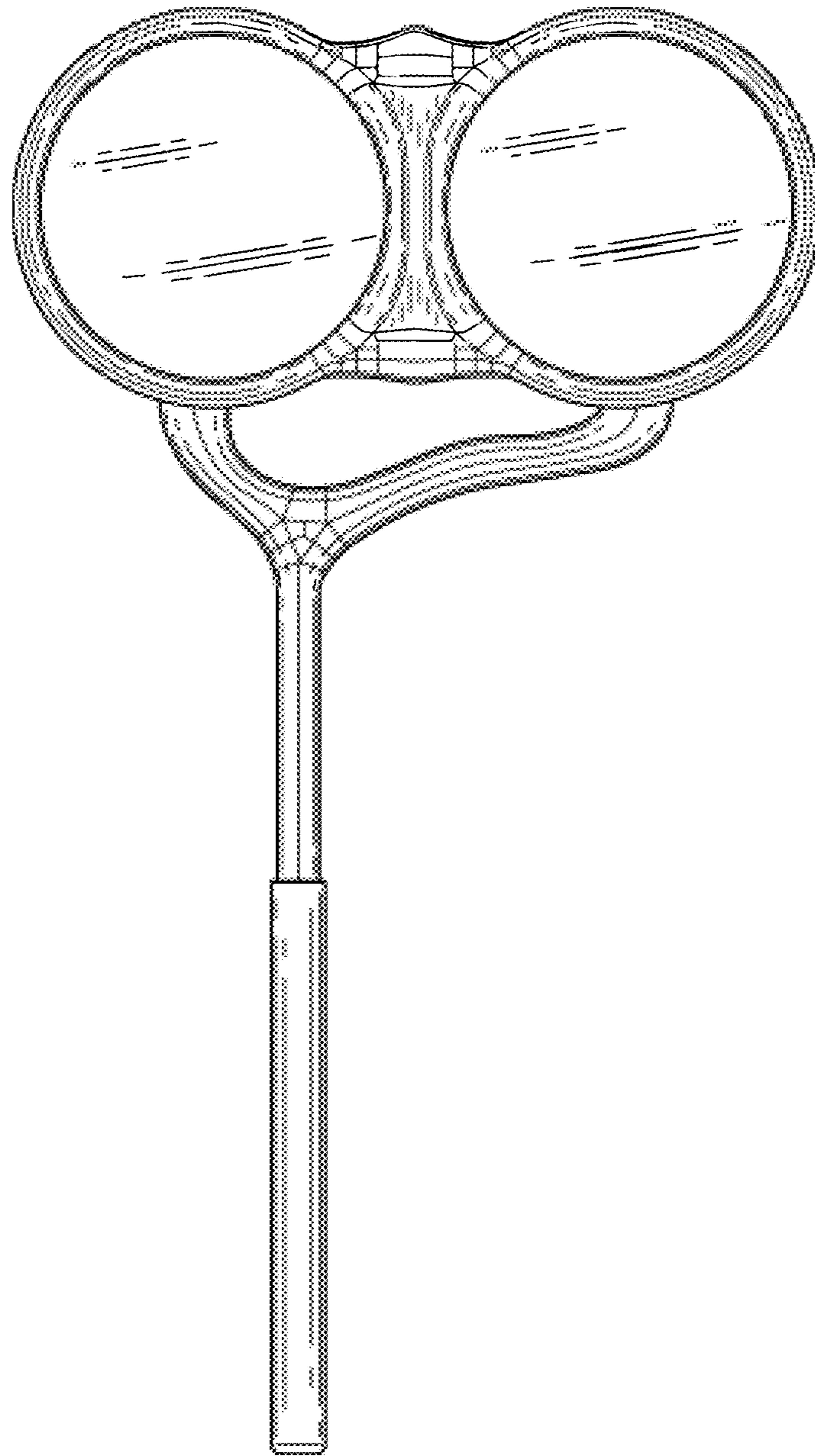


FIG. 4

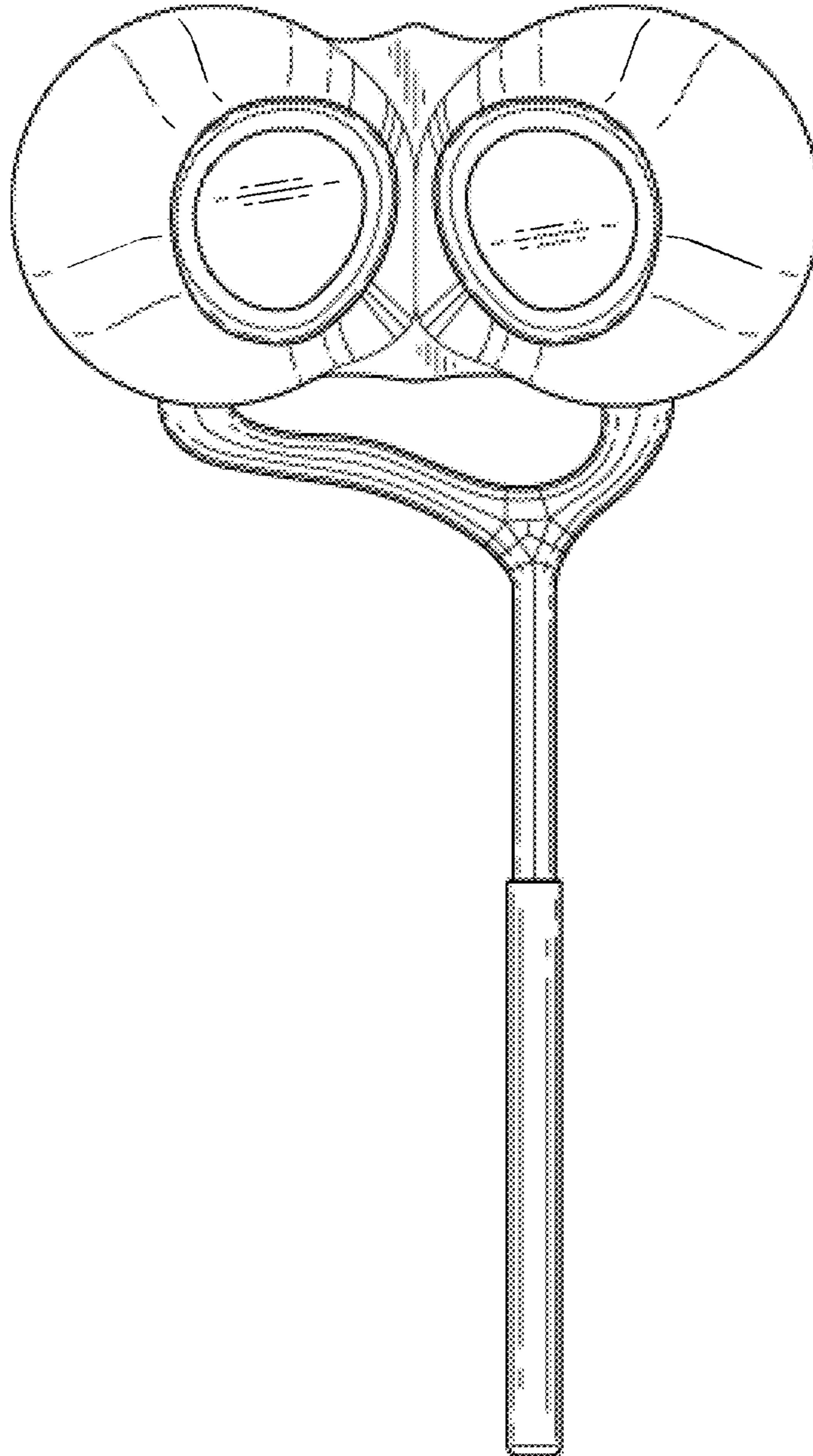


FIG. 5

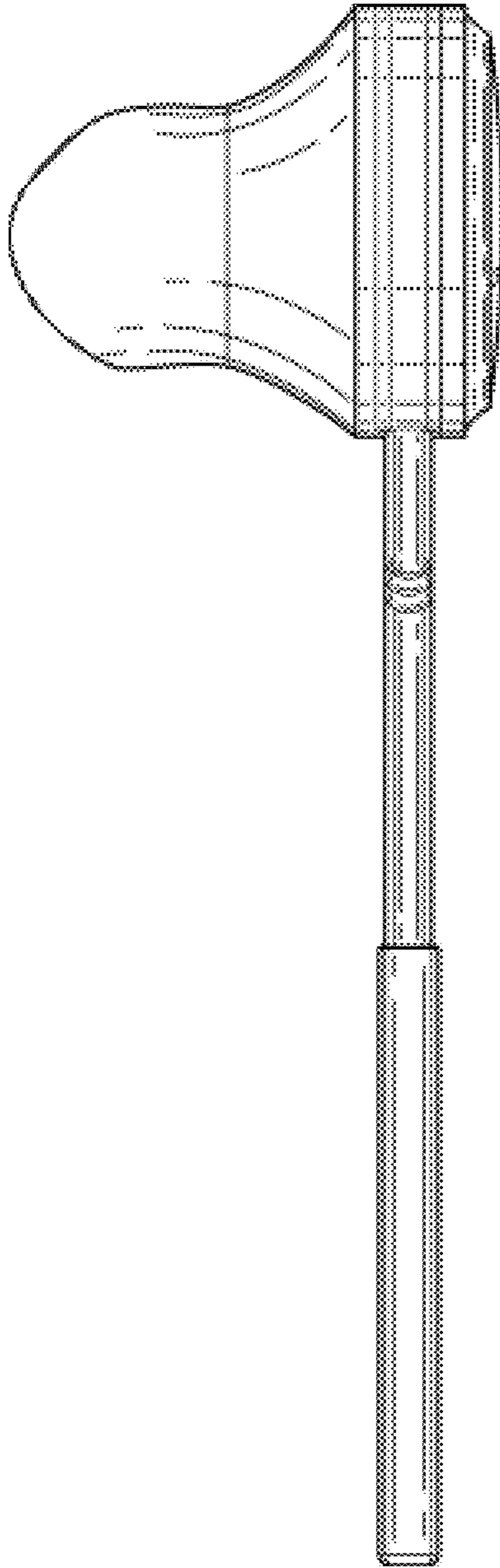


FIG. 6

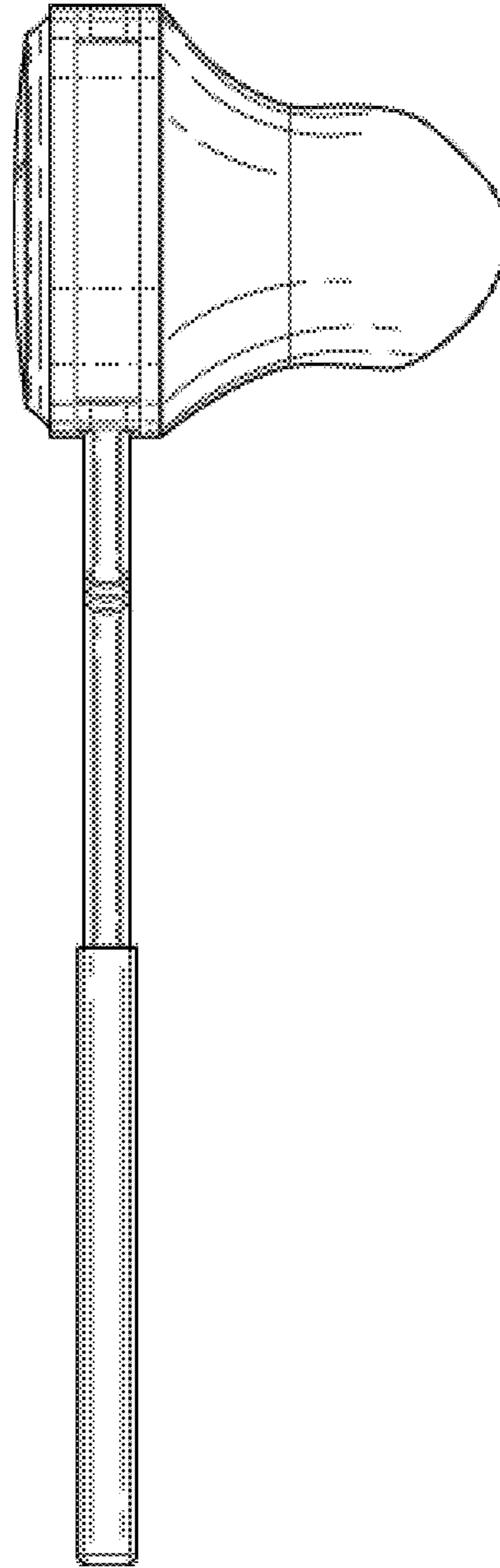


FIG. 7

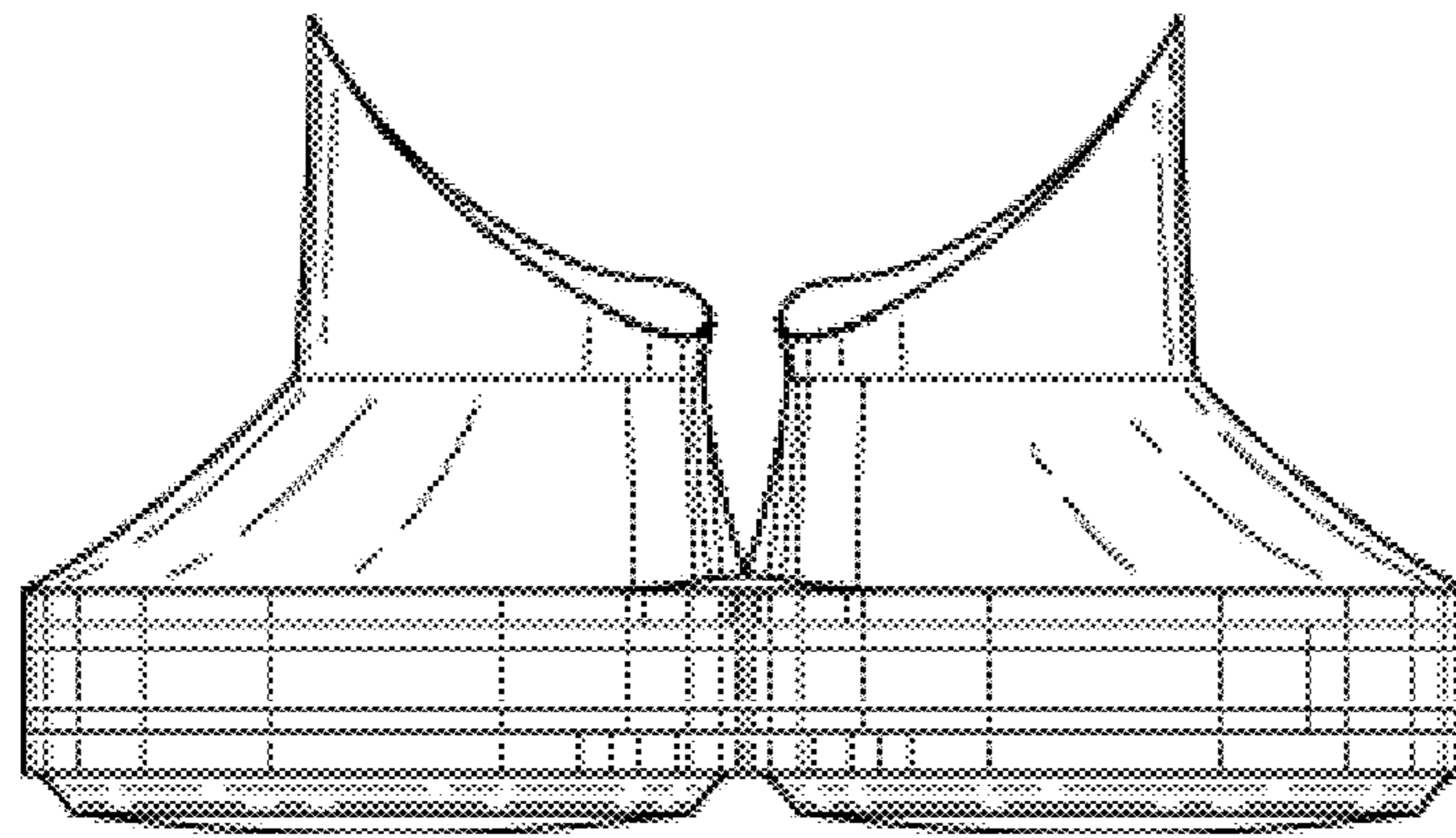


FIG. 8

