



US00D944248S

(12) **United States Design Patent** (10) **Patent No.:** **US D944,248 S**
Porter (45) **Date of Patent:** **** Feb. 22, 2022**

(54) **NEAR-EYE DISPLAY WITH POSITION-ADJUSTABLE IMAGING LIGHT GUIDE**

(71) Applicant: **Vuzix Corporation**, West Henrietta, NY (US)

(72) Inventor: **Tyler W. Porter**, Honeoye Falls, NY (US)

(73) Assignee: **Vuzix Corporation**, West Henrietta, NY (US)

(**) Term: **15 Years**

(21) Appl. No.: **29/773,386**

(22) Filed: **Mar. 9, 2021**

Related U.S. Application Data

(62) Division of application No. 29/719,629, filed on Jan. 6, 2020, now Pat. No. Des. 931,279.

(51) **LOC (13) Cl.** **14-02**

(52) **U.S. Cl.**
USPC **D14/372**

(58) **Field of Classification Search**
USPC D14/372, 496, 432, 371, 125, 126, 129, D14/299; D16/300-342; 351/158, 153, 351/144; 345/7-9, 905; 455/344; 348/115, 53, 121, 739
CPC G02B 27/017; G02B 27/0158; G02B 27/0161; G02B 27/0181; G02B 27/0185; G02B 27/0189

See application file for complete search history.

(56) **References Cited**

U.S. PATENT DOCUMENTS

D704,247 S * 5/2014 Olsson D16/300
D704,705 S * 5/2014 Mehin D14/372
D718,304 S * 11/2014 Heinrich D14/372

D719,156 S * 12/2014 Lee D14/372
D725,102 S * 3/2015 Lee D14/372
D726,180 S * 4/2015 Roat D14/372
D735,193 S * 7/2015 Lee D14/372
D761,796 S * 7/2016 Heinrich D14/372
D778,908 S * 2/2017 Mase D14/372
D795,865 S * 8/2017 Porter D14/372

(Continued)

Primary Examiner — Austin Murphy

(74) *Attorney, Agent, or Firm* — Jacob D. Merrill, Esq.; Harter Secrest & Emery LLP

(57) **CLAIM**

The ornamental design of a near-eye display with position-adjustable imaging light guide, as shown and described.

DESCRIPTION

FIG. 1 is a top, front, and right side perspective view of a near-eye display with position-adjustable imaging light guide in accordance with a second embodiment of the present invention;

FIG. 2 is a top plan view of FIG. 1;

FIG. 3 is a bottom plan view of FIG. 1;

FIG. 4 is a front elevational view of FIG. 1;

FIG. 5 is a rear elevational view of FIG. 1;

FIG. 6 is a right side elevational view of FIG. 1;

FIG. 7 is a left side elevational view of FIG. 1;

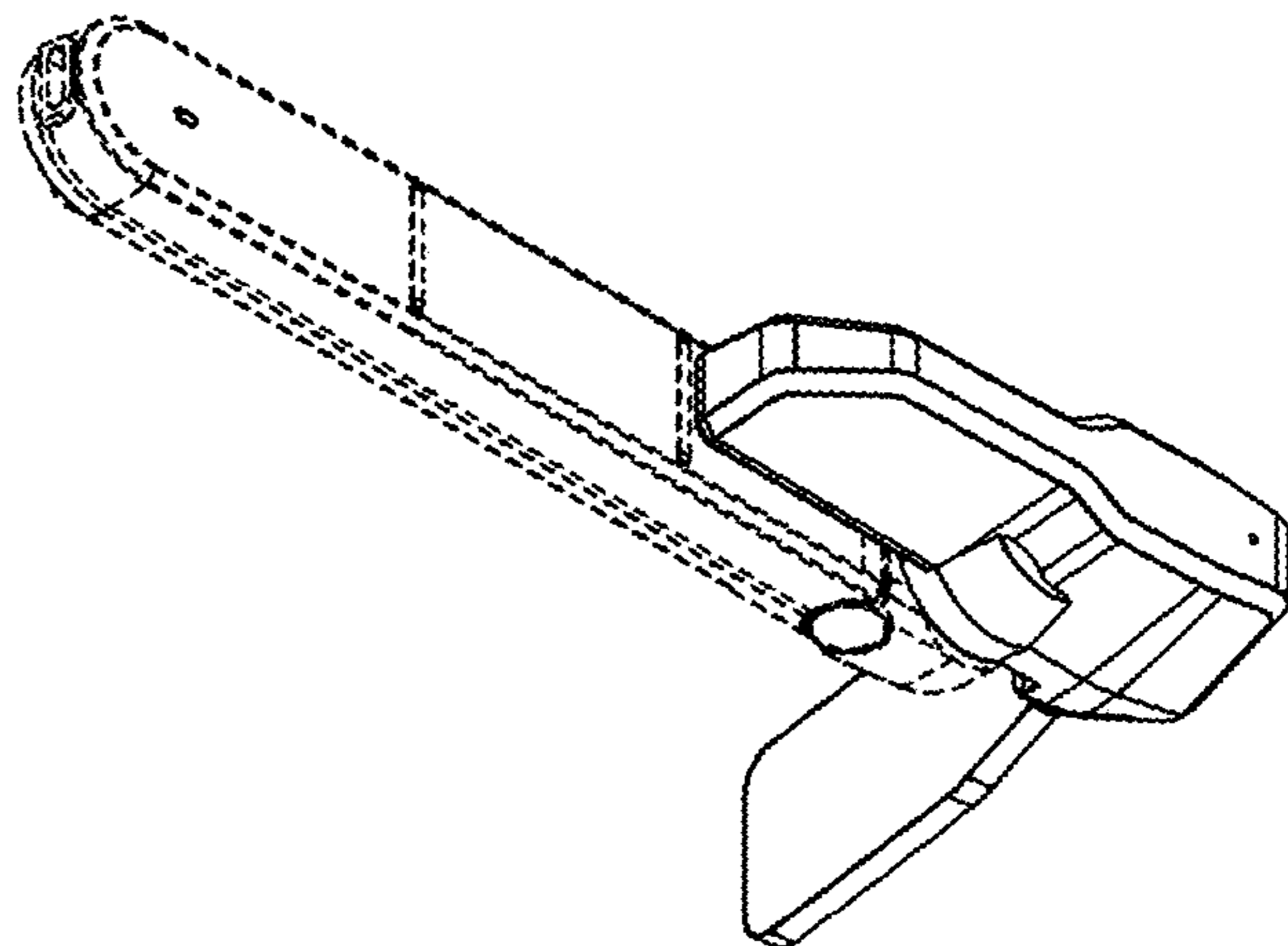
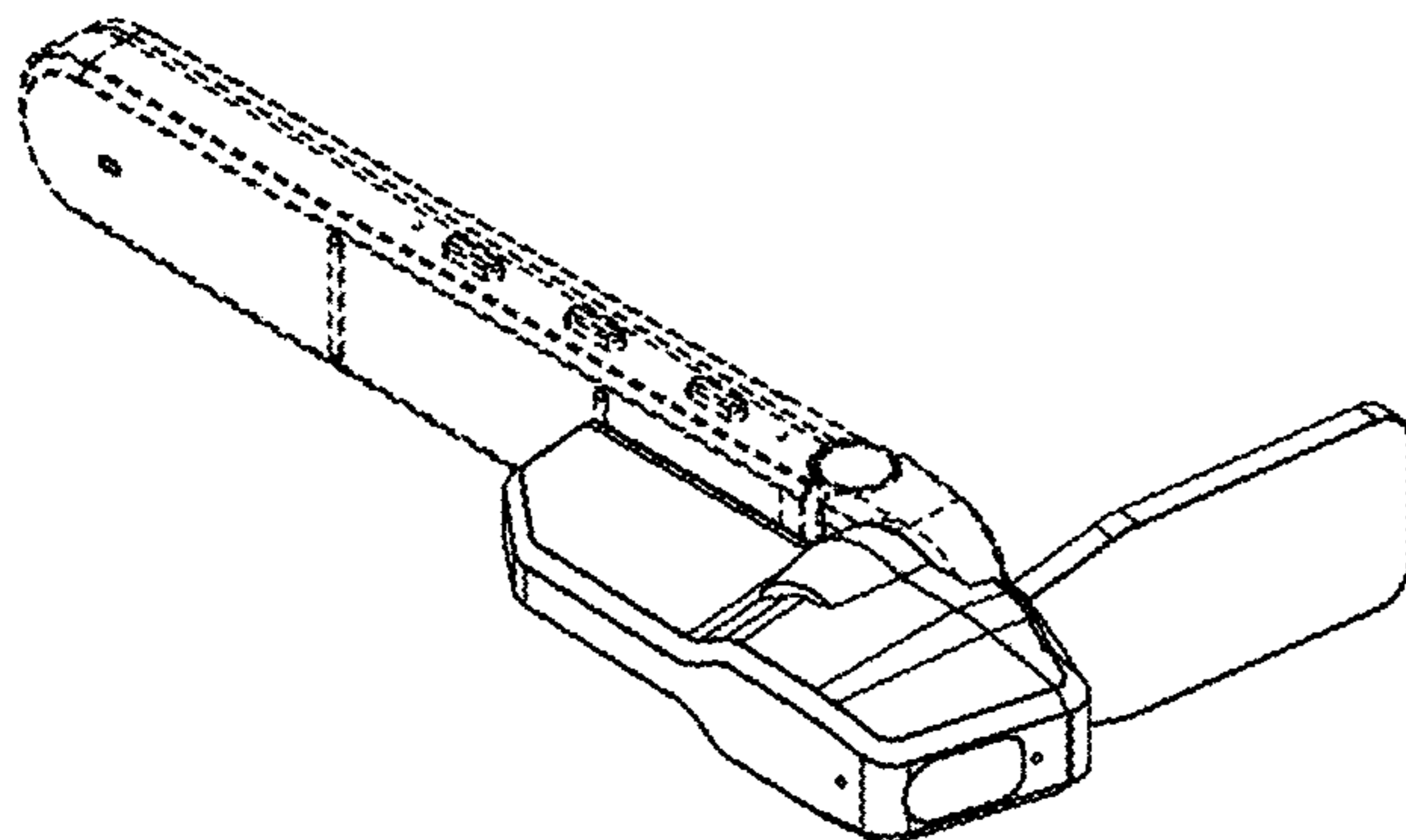
FIG. 8 is a bottom, rear, and right side perspective view of FIG. 1;

FIG. 9 is a top, rear, and right side perspective view of FIG. 1; and,

FIG. 10 is a bottom, front, and right side perspective view of FIG. 1.

The near-eye display with position-adjustable imaging light guide is not limited to the scale shown herein. Any text appearing in FIGS. 1-10 forms no part of the claimed design. The broken lines of FIGS. 1-10 illustrate portions of the near-eye display with position-adjustable imaging light guide that form no part of the claimed design.

1 Claim, 10 Drawing Sheets



(56)

References Cited

U.S. PATENT DOCUMENTS

D795,866	S	*	8/2017	Porter	D14/372
10,101,588	B2	*	10/2018	Haddick	H04R 1/1016
D841,647	S	*	2/2019	Sakai	D14/372
D850,445	S	*	6/2019	Porter	D14/372
D859,402	S	*	9/2019	Eroma	D14/372
D863,299	S	*	10/2019	Jacobsen	D14/372

* cited by examiner

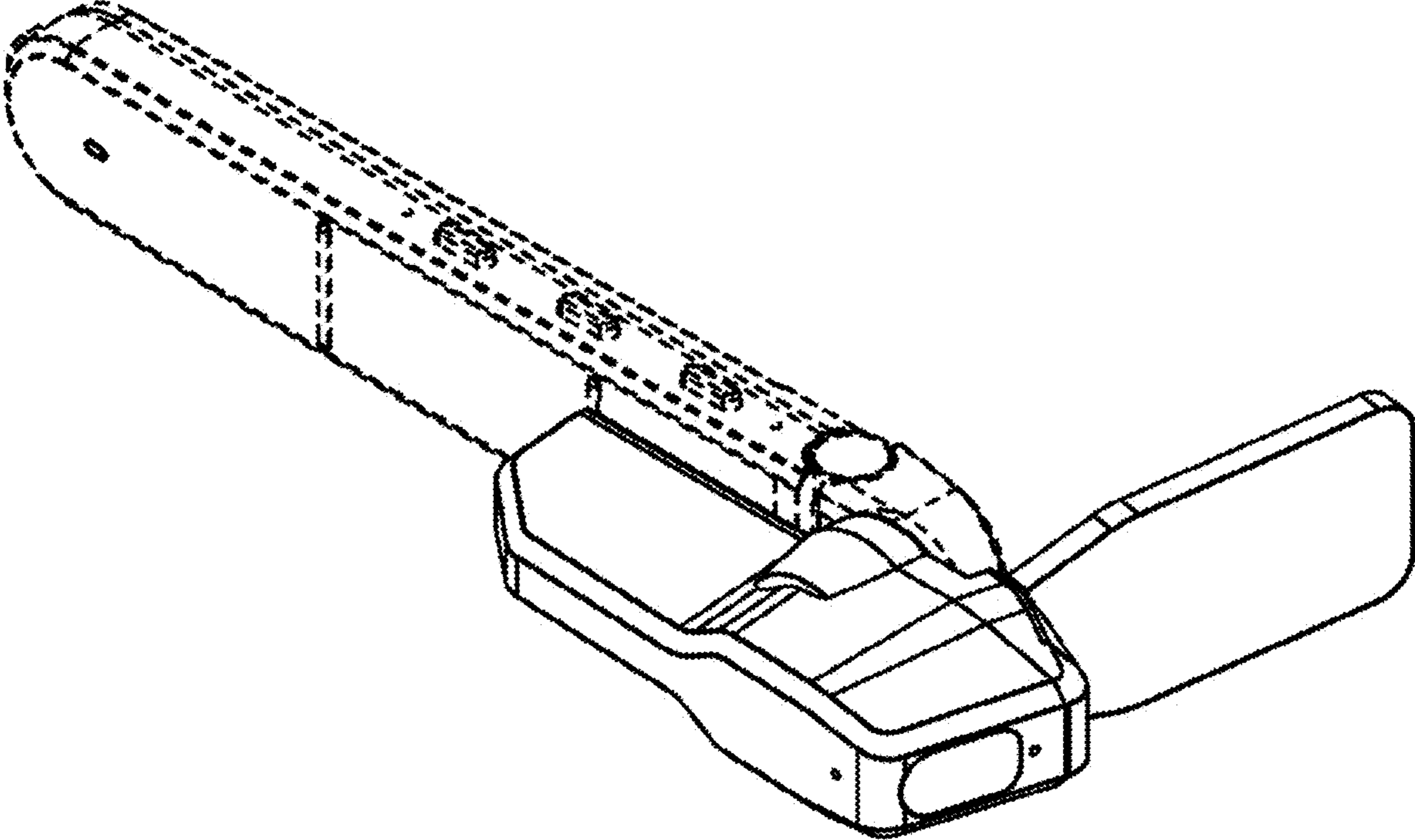


FIG. 1

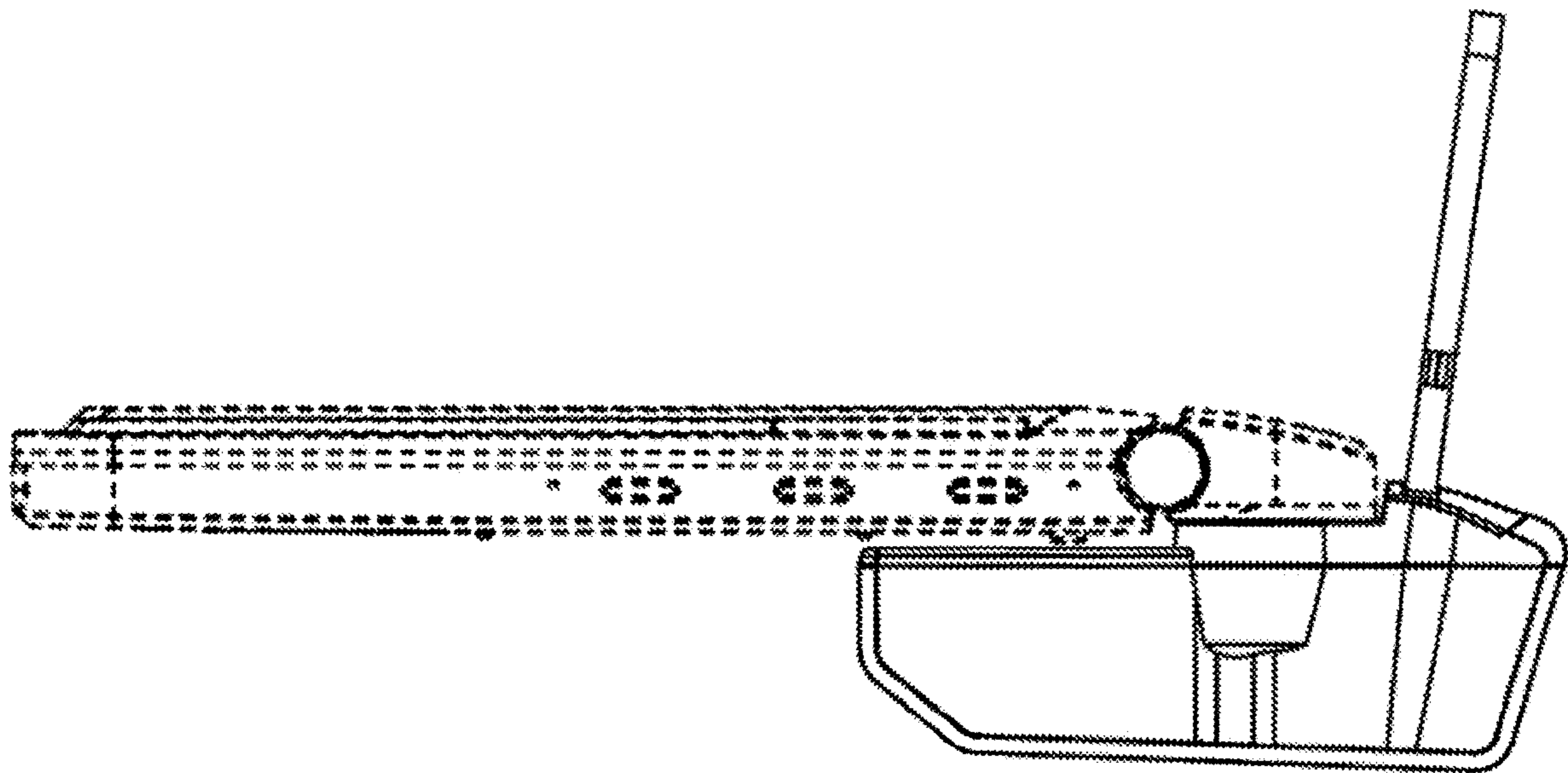


FIG. 2

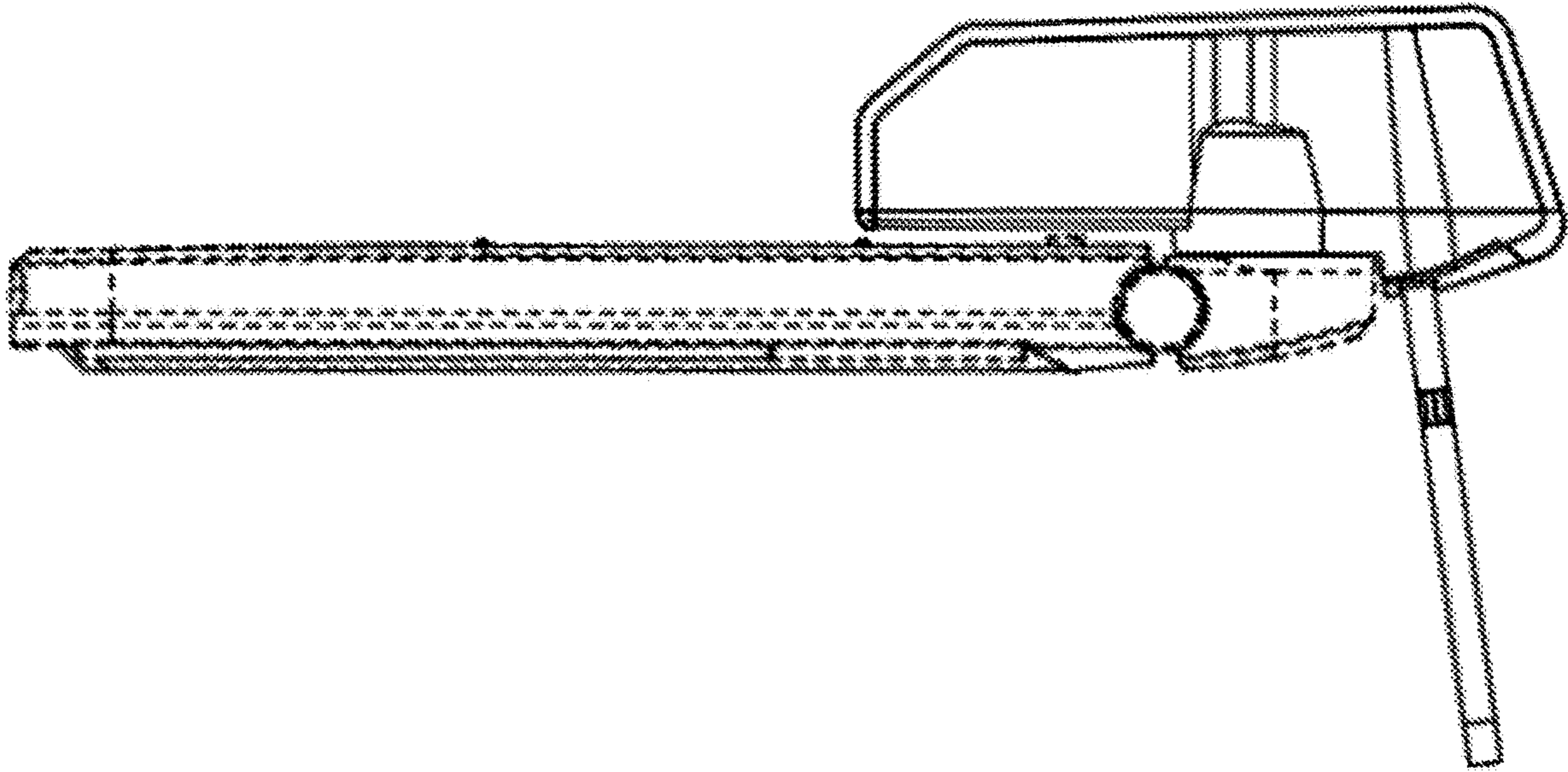


FIG. 3

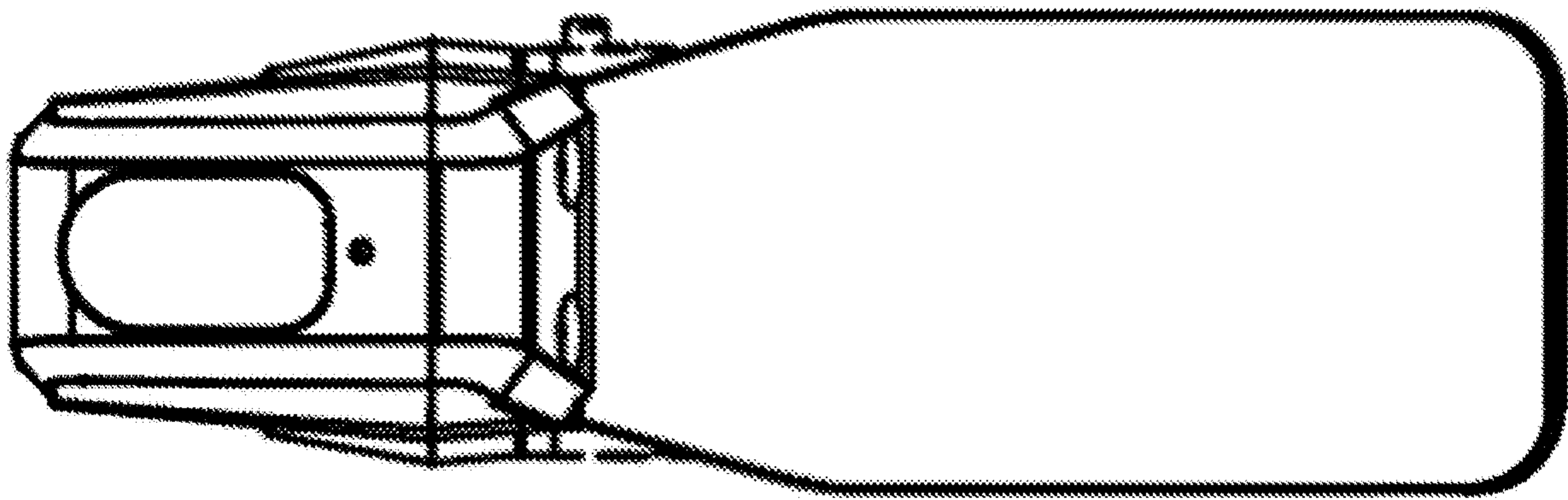


FIG. 4

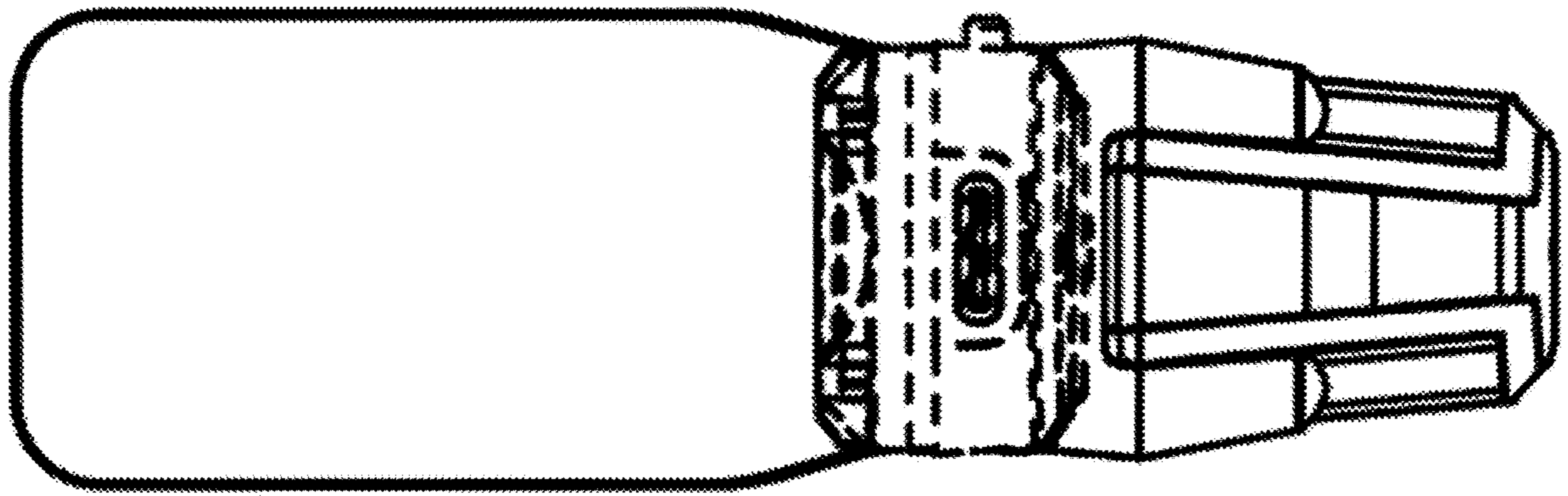


FIG. 5

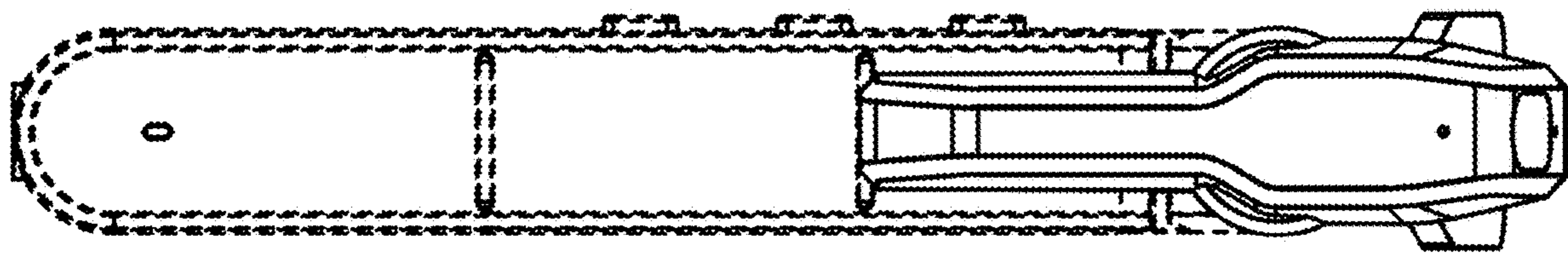


FIG. 6

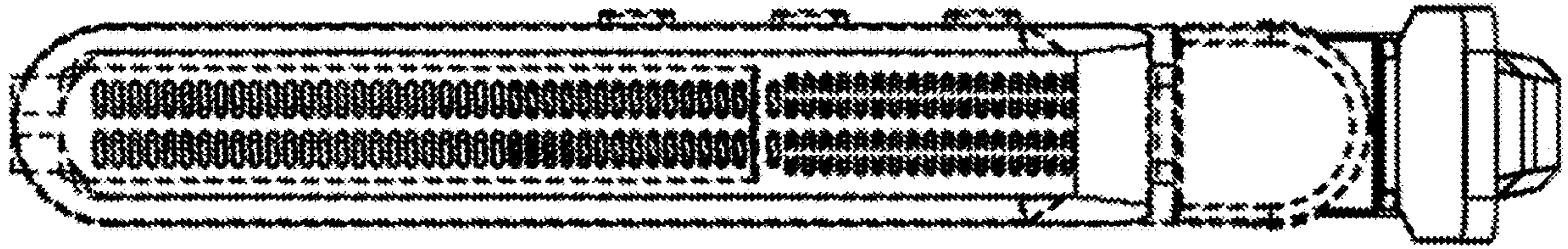


FIG. 7

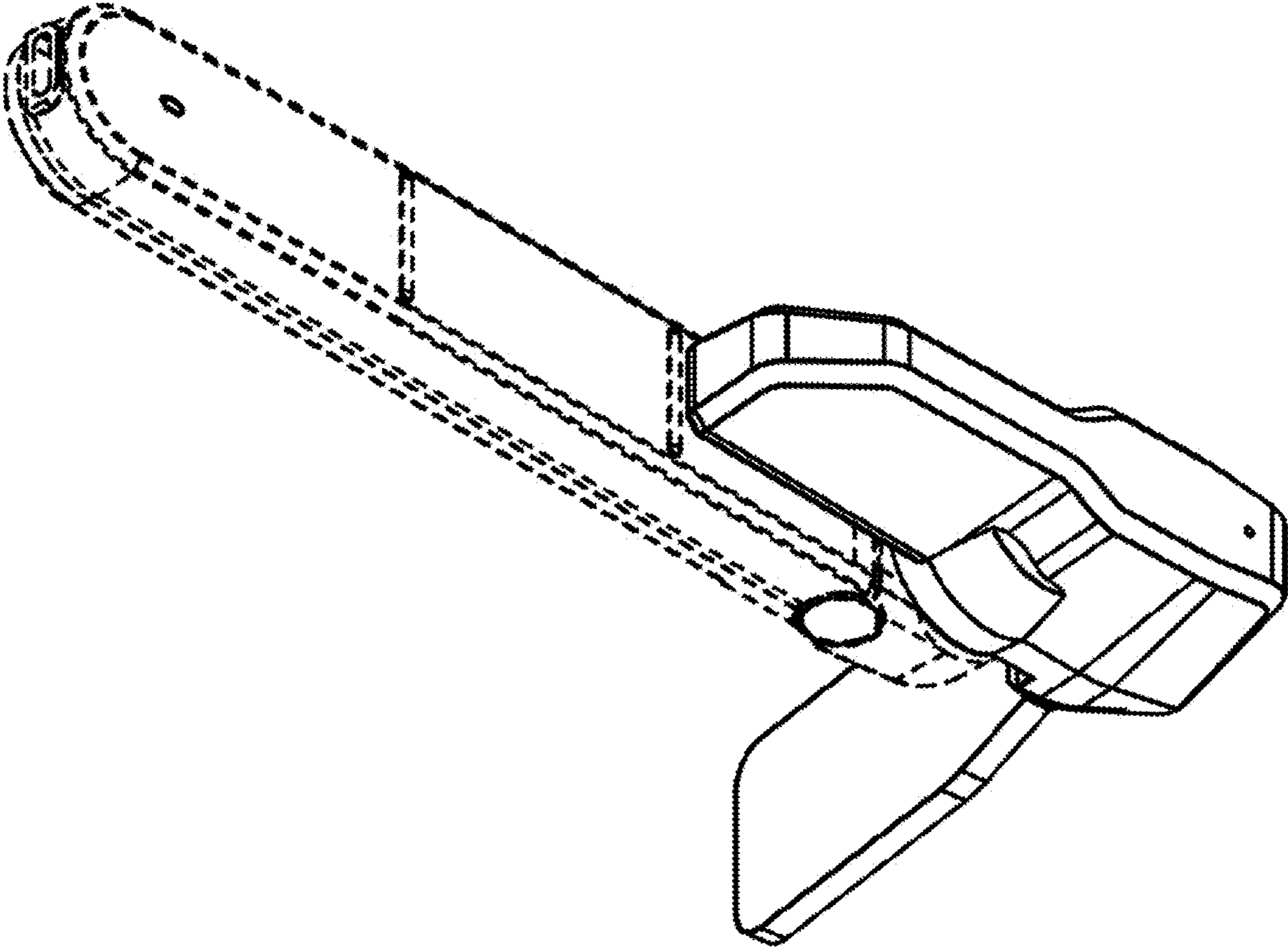


FIG. 8

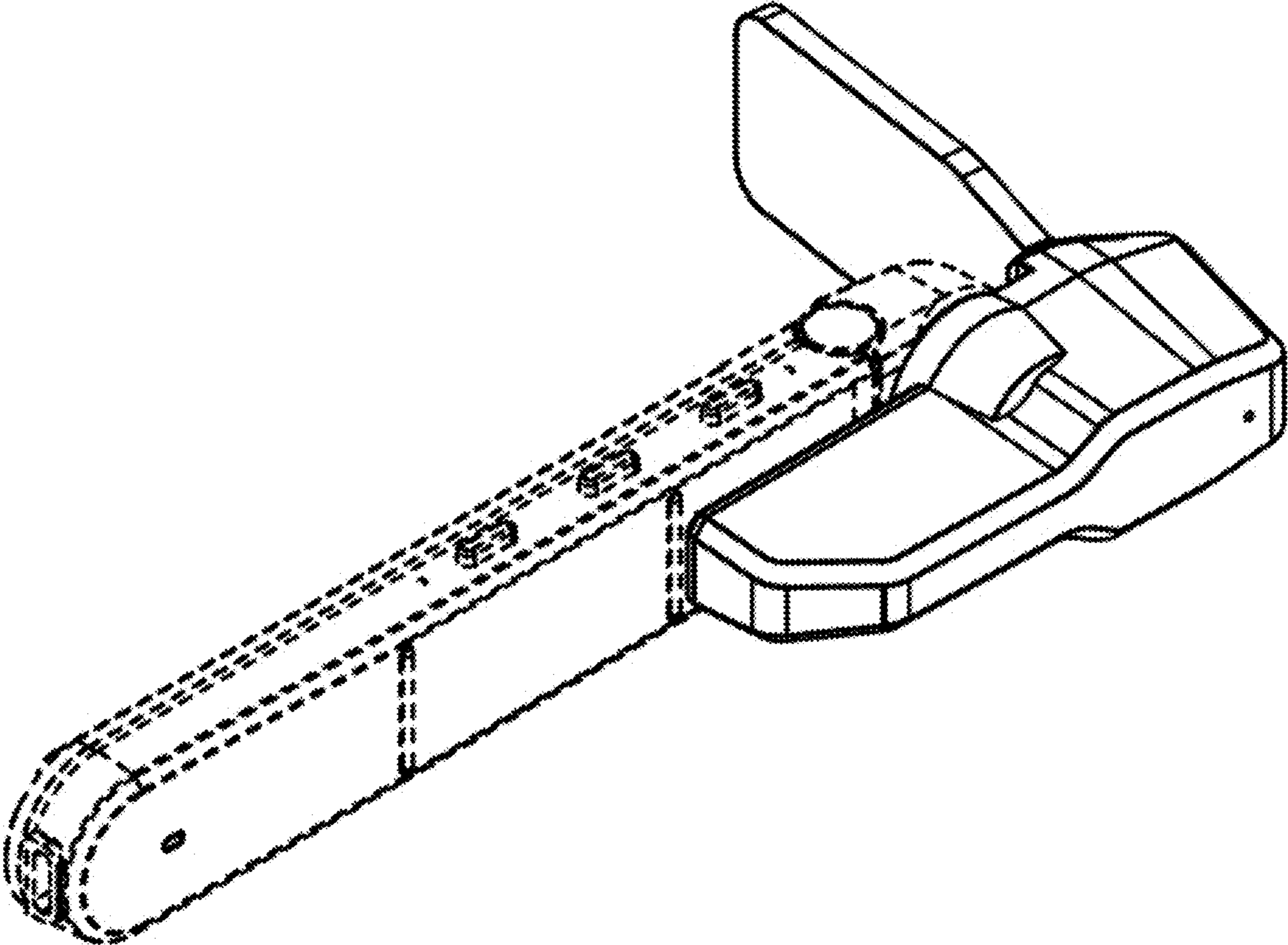


FIG. 9

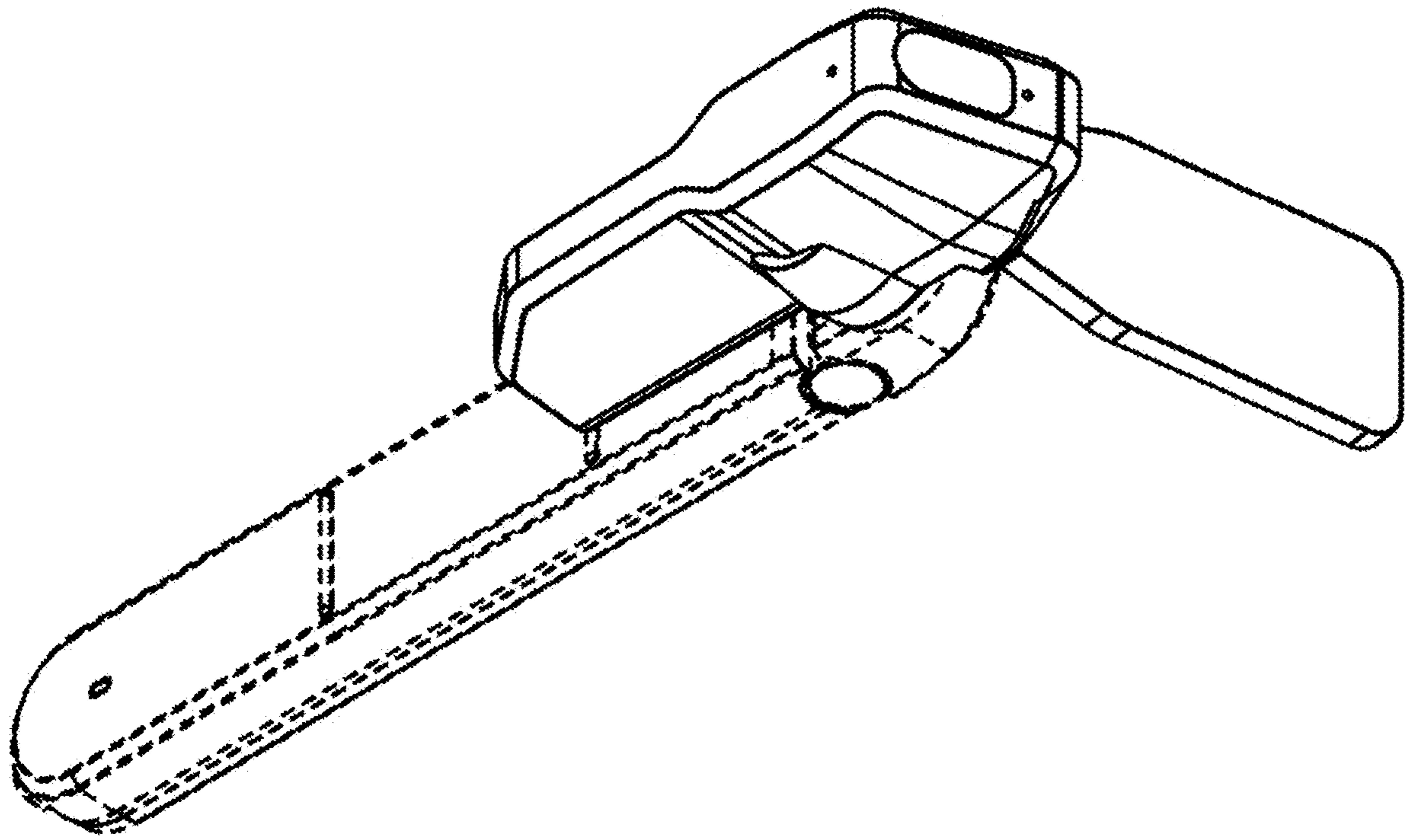


FIG. 10