



US00D944247S

(12) **United States Design Patent**
Cho et al.

(10) **Patent No.:** **US D944,247 S**
(45) **Date of Patent:** **** Feb. 22, 2022**

(54) **HEAD MOUNTED DISPLAY**

DESCRIPTION

- (71) Applicant: **Samsung Electronics Co., Ltd.**,
Suwon-si (KR)
- (72) Inventors: **Yong-Hee Cho**, Suwon-si (KR);
Myung-Kyu Kim, Suwon-si (KR)
- (73) Assignee: **Samsung Electronics Co., Ltd.**,
Suwon-si (KR)
- (**) Term: **15 Years**
- (21) Appl. No.: **29/738,538**
- (22) Filed: **Jun. 18, 2020**
- (30) **Foreign Application Priority Data**
Dec. 23, 2019 (KR) 30-2019-0062484
- (51) **LOC (13) Cl.** **14-02**
- (52) **U.S. Cl.**
USPC **D14/372**
- (58) **Field of Classification Search**
USPC D14/372, 496, 432, 371, 125, 126, 129,
D14/299; D16/300-342; 351/158, 153,
(Continued)
- (56) **References Cited**
U.S. PATENT DOCUMENTS
D467,606 S 12/2002 Lane
D617,365 S 6/2010 Akarra et al.
(Continued)

Primary Examiner — Austin Murphy
(74) *Attorney, Agent, or Firm* — NSIP Law

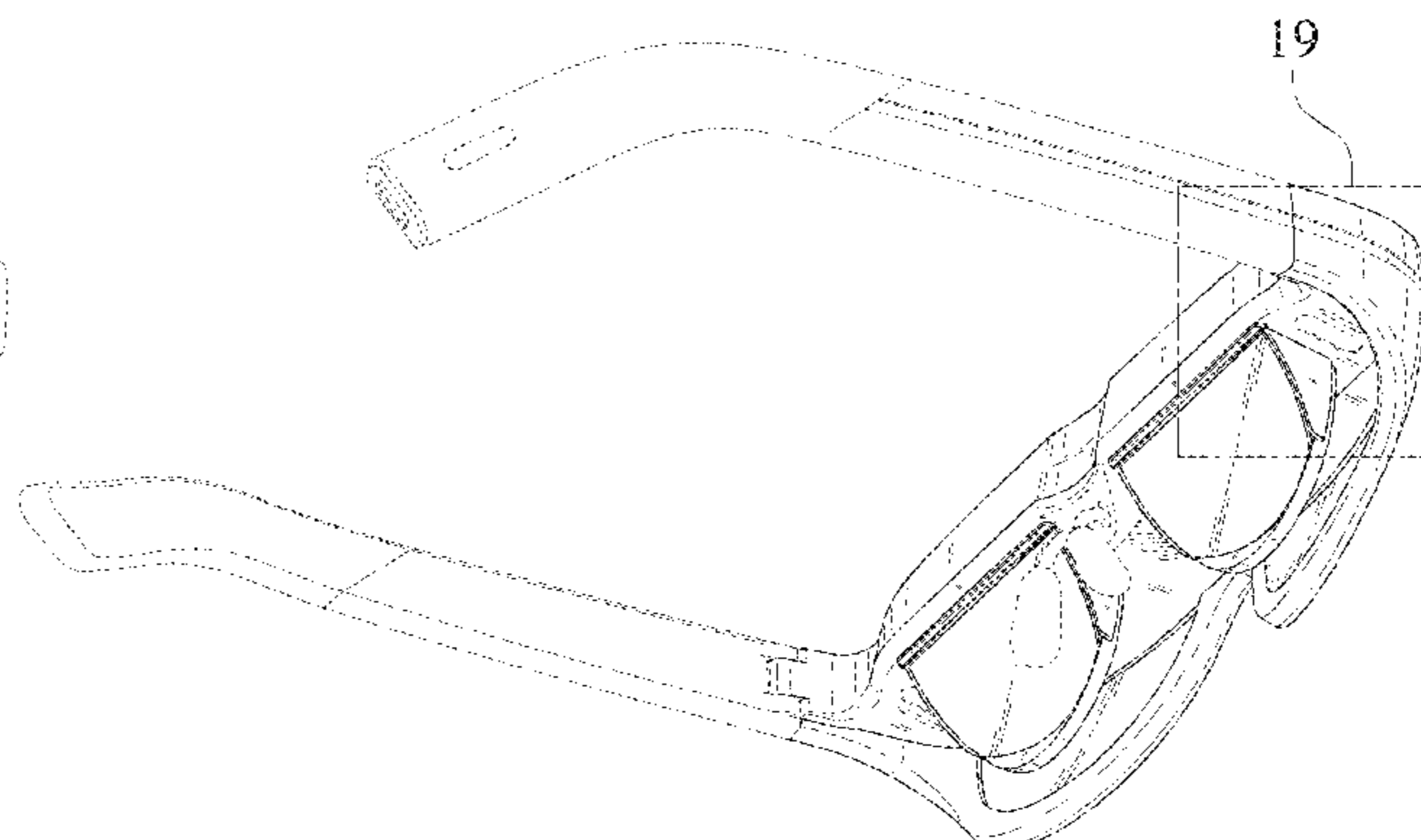
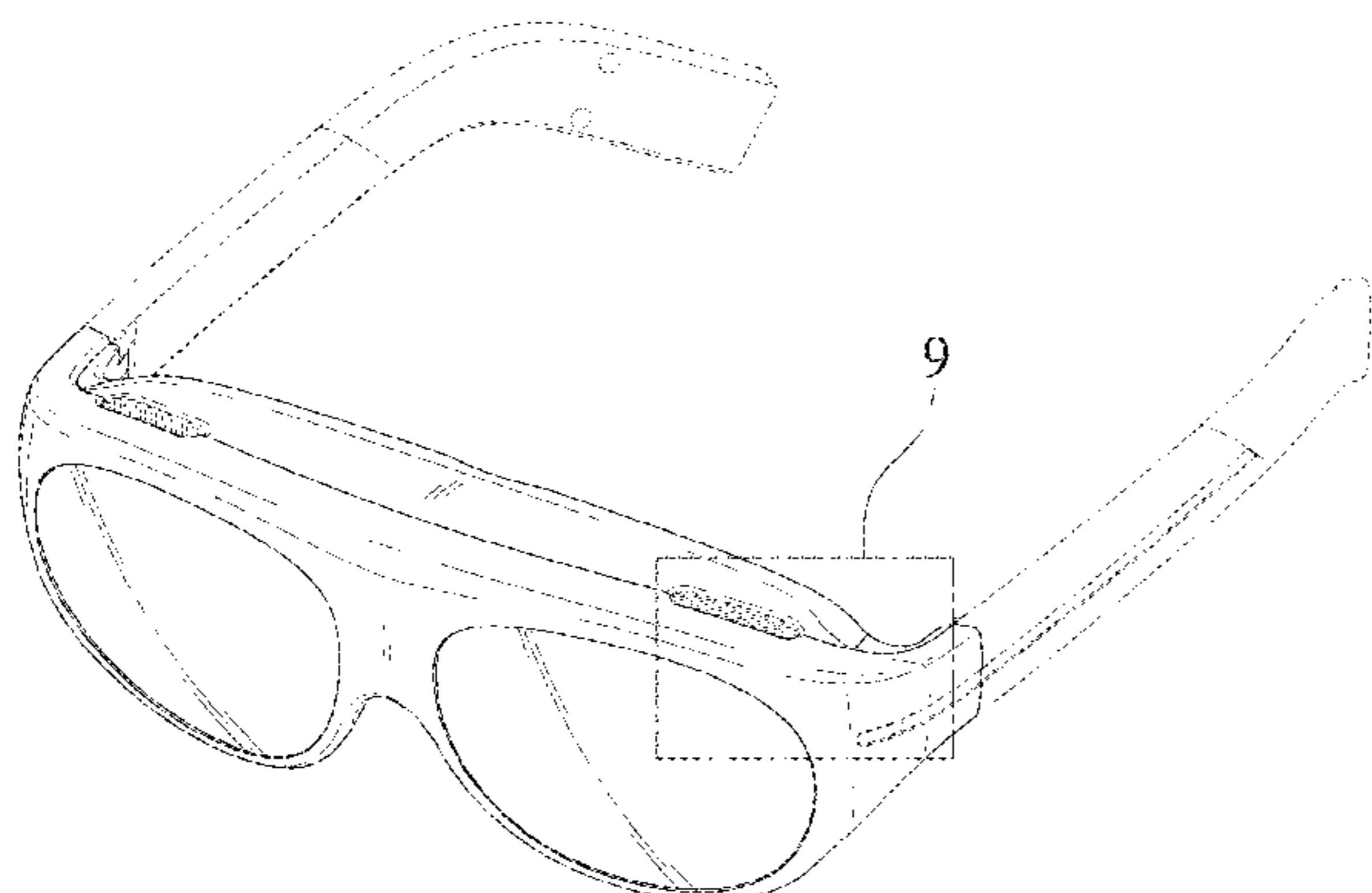
(57) **CLAIM**

We claim the ornamental design for a head mounted display,
as shown and described.

FIG. 1 is a front perspective view of a head mounted display showing our new design;
 FIG. 2 is a front view thereof;
 FIG. 3 is a rear view thereof;
 FIG. 4 is a left-side view thereof;
 FIG. 5 is a right-side view thereof;
 FIG. 6 is a top view thereof;
 FIG. 7 is a bottom view thereof;
 FIG. 8 is a rear perspective view thereof;
 FIG. 9 is an enlarged view of the delineated portion 9 in FIG. 1;
 FIG. 10 is an enlarged view of the delineated portion 10 in FIG. 2;
 FIG. 11 is an enlarged view of the delineated portion 11 in FIG. 3;
 FIG. 12 is an enlarged view of the delineated portion 12 in FIG. 4;
 FIG. 13 is an enlarged view of the delineated portion 13 in FIG. 4;
 FIG. 14 is an enlarged view of the delineated portion 14 in FIG. 6;
 FIG. 15 is an enlarged view of the delineated portion 15 in FIG. 6;
 FIG. 16 is an enlarged view of the delineated portion 16 in FIG. 7;
 FIG. 17 is an enlarged view of the delineated portion 17 in FIG. 7;
 FIG. 18 is an enlarged view of the delineated portion 18 in FIG. 7; and,
 FIG. 19 is an enlarged view of the delineated portion 19 in FIG. 8.

The evenly-dashed broken lines in the figures show portions of the head mounted display which form no part of the claimed design. The dot-dash broken lines encircling portions of the claimed design that are illustrated in enlargements form no part of the claimed design.

1 Claim, 19 Drawing Sheets



(58) **Field of Classification Search**

USPC 351/144; 345/7-9, 905; 455/344;
348/115, 53, 121, 739
CPC G02B 27/017; G02B 27/0158; G02B
27/0161; G02B 27/0181; G02B 27/0185;
G02B 27/0189

See application file for complete search history.

(56) **References Cited**

U.S. PATENT DOCUMENTS

D681,092 S	4/2013	Sogabe et al.	
D683,387 S	5/2013	Sheldon	
D797,735 S	9/2017	Fraser et al.	
D886,103 S *	6/2020	He	D14/372
D887,408 S *	6/2020	Green	D14/372
D888,053 S *	6/2020	Rao	D14/372
D892,790 S *	8/2020	Moon	D14/372
D898,739 S *	10/2020	Kossev	D14/372
D900,092 S *	10/2020	Villalpando	D14/372
D900,093 S *	10/2020	Lee	D14/372
D918,902 S *	5/2021	Ko	D14/372
D923,006 S *	6/2021	Villalpando	D14/372
D931,854 S *	9/2021	De	D14/372

* cited by examiner

FIG. 1

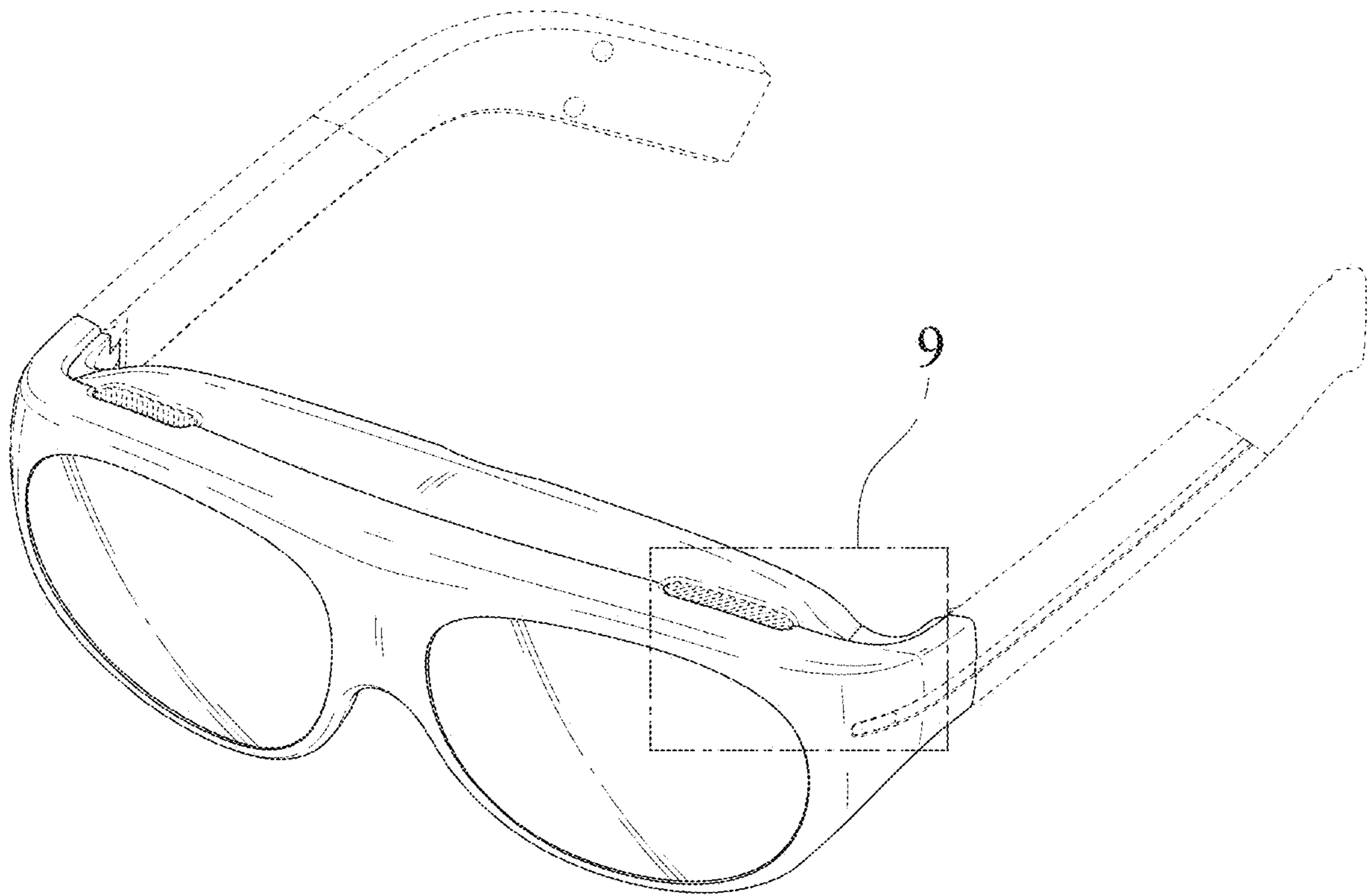


FIG. 2

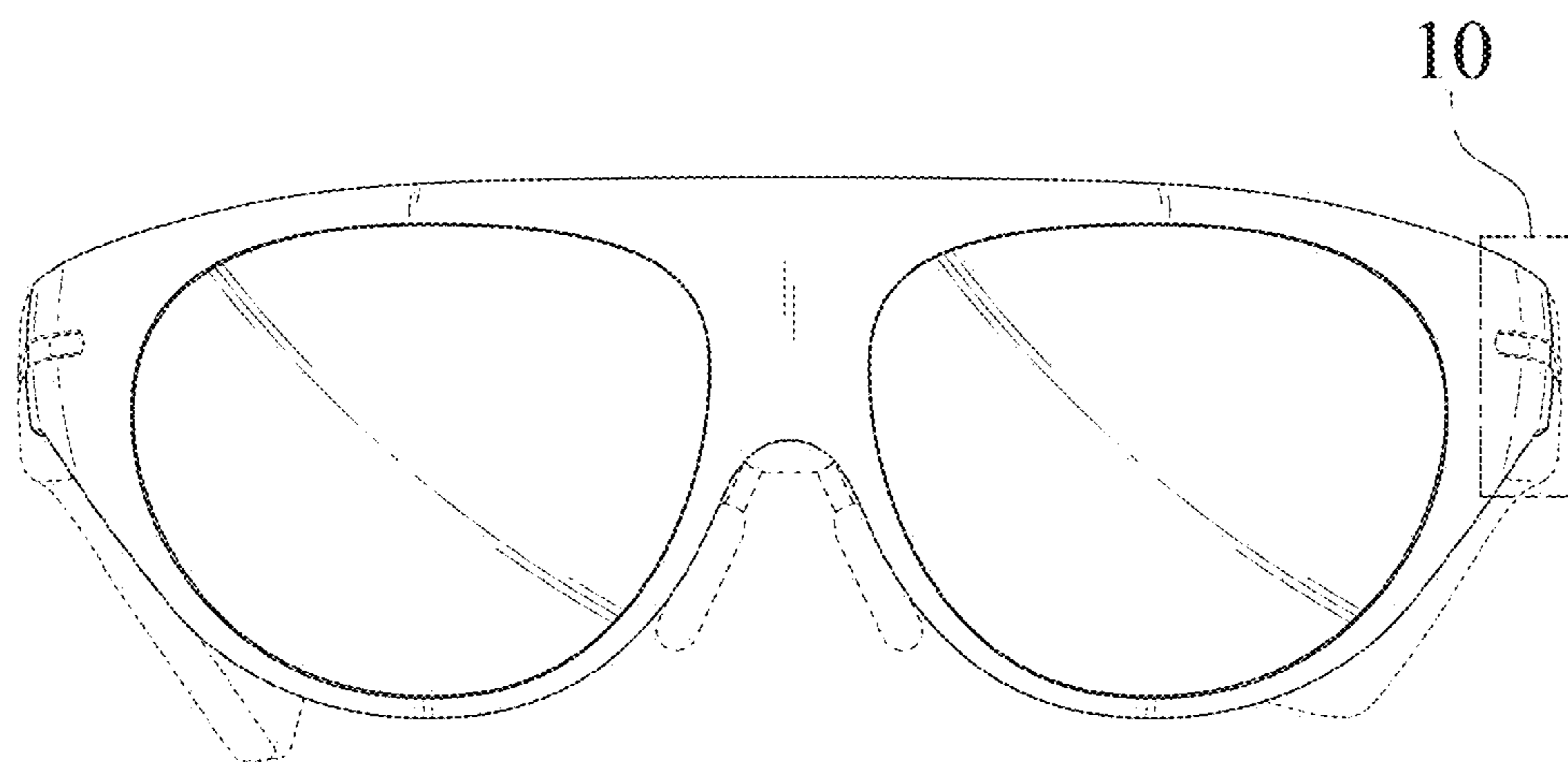


FIG. 3

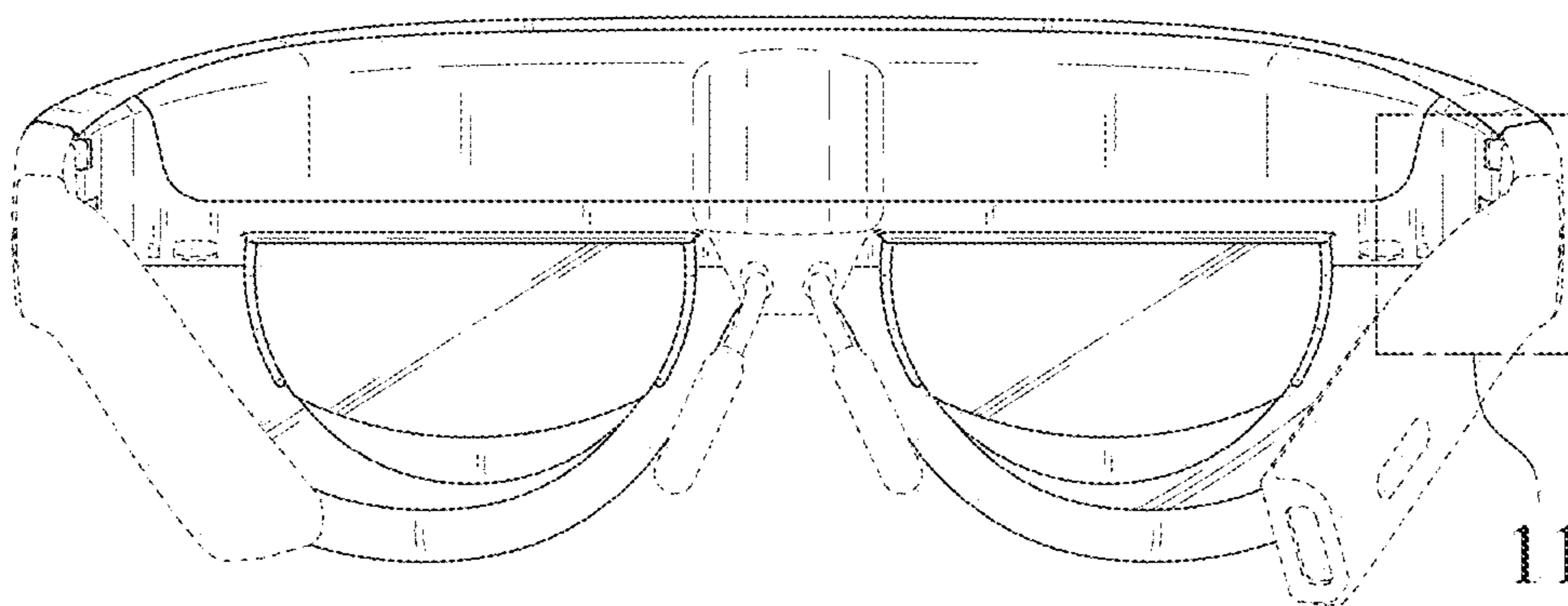


FIG. 4

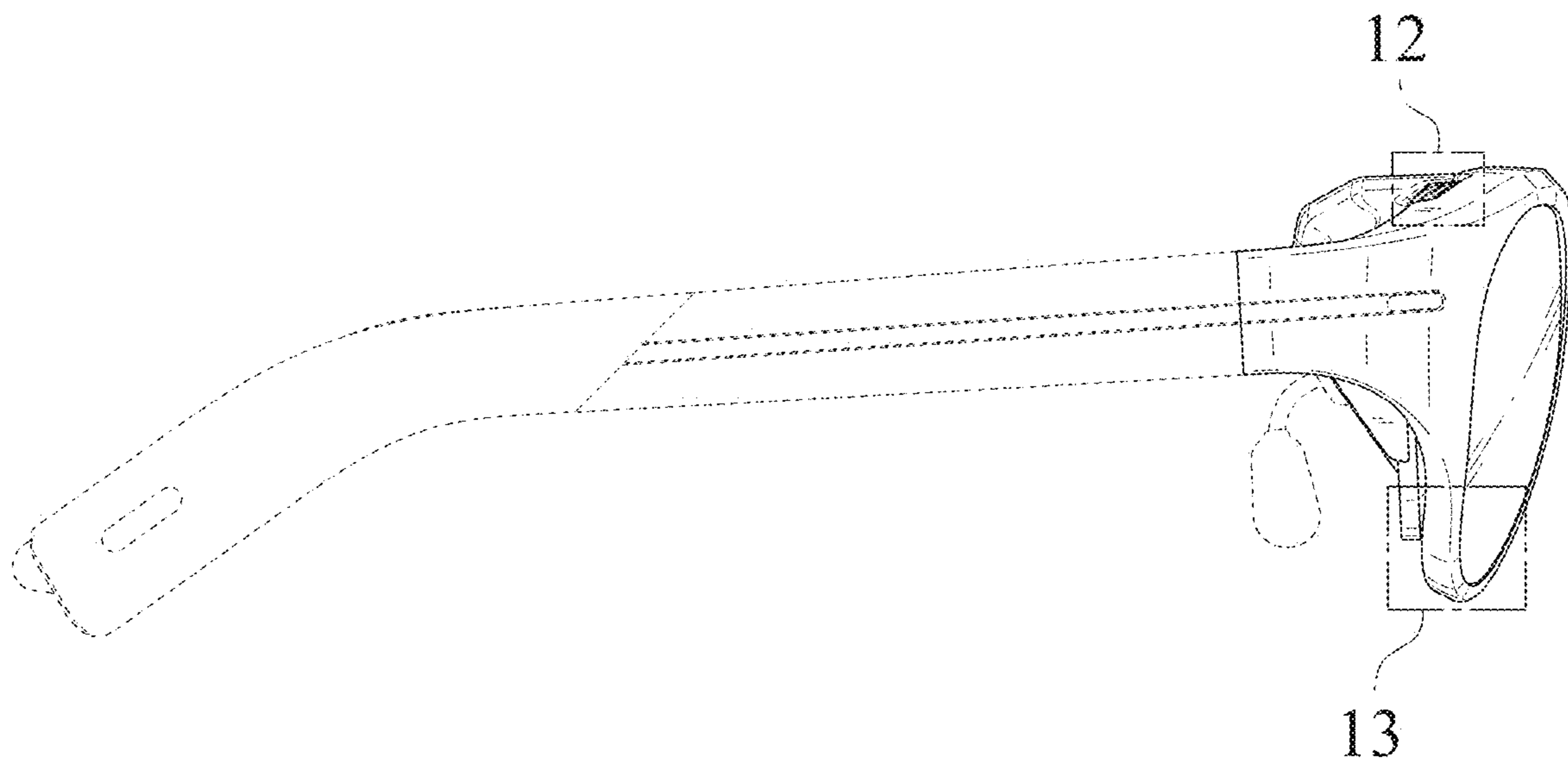


FIG. 5

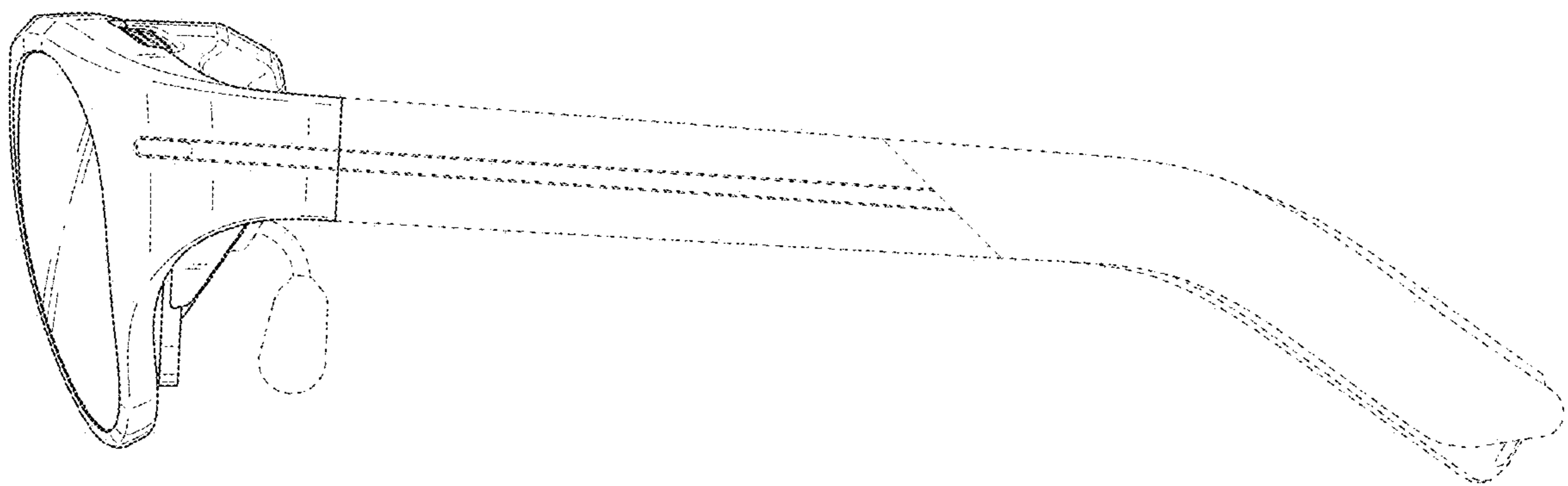


FIG. 6

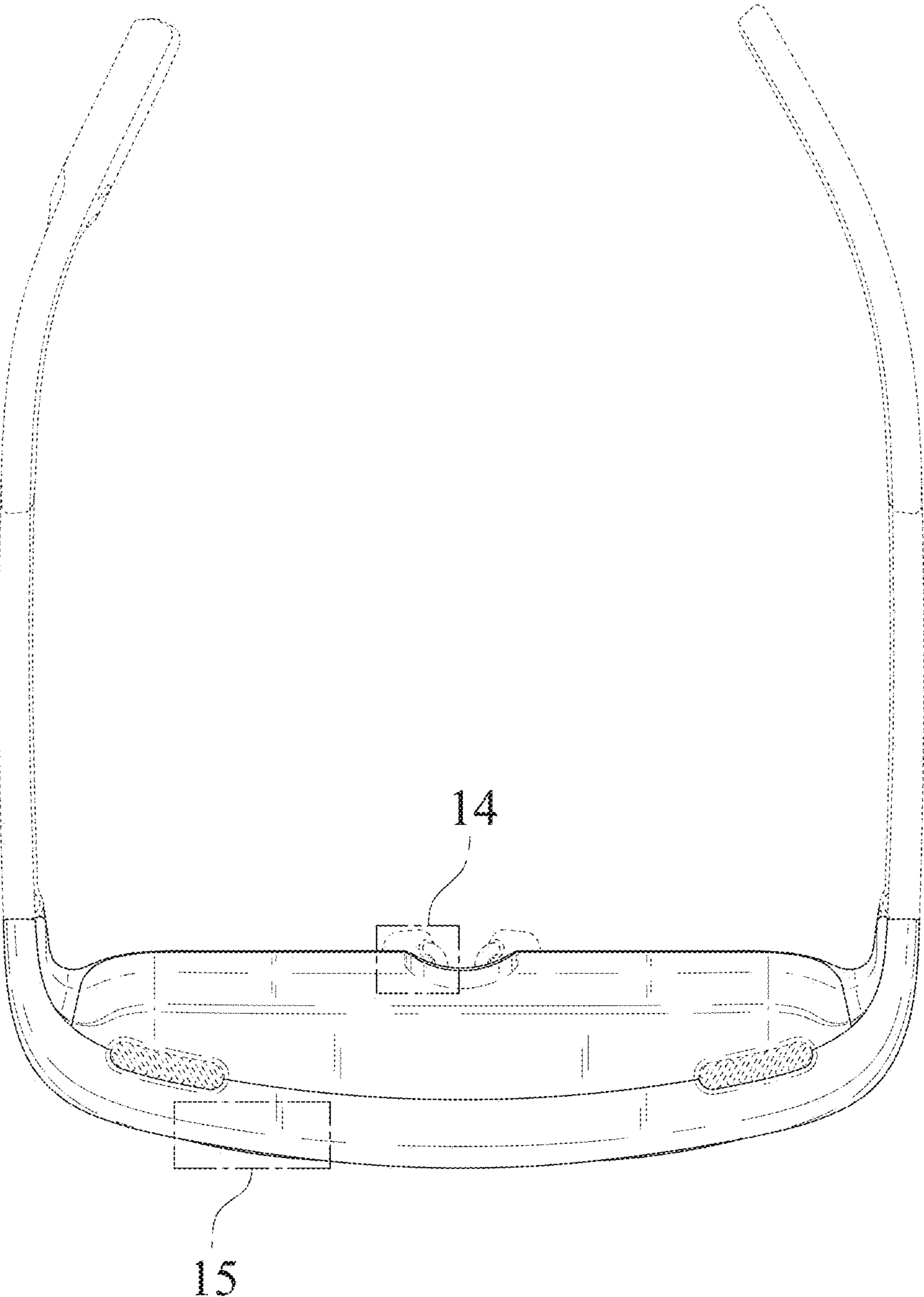


FIG. 7

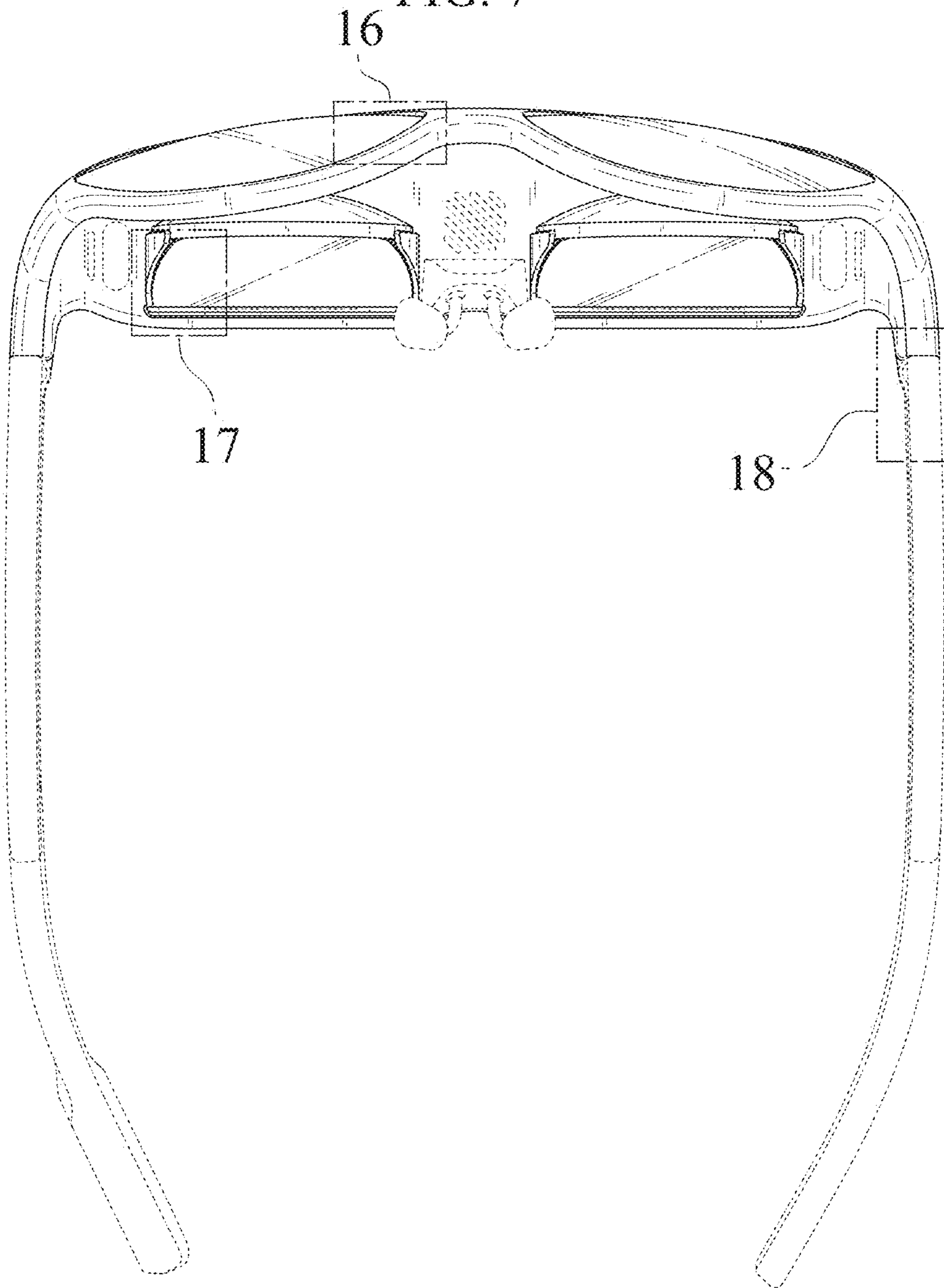


FIG. 8

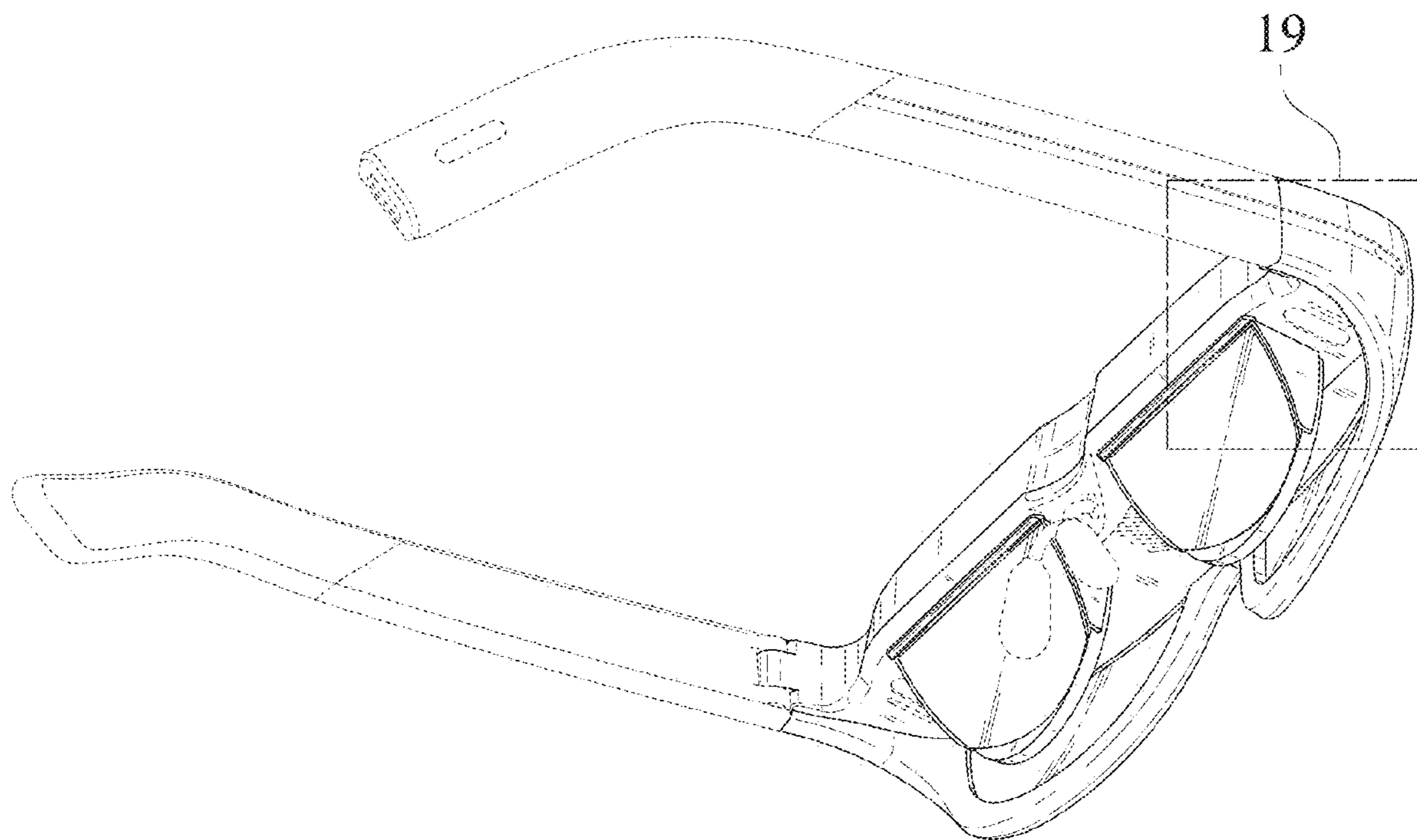


FIG. 9

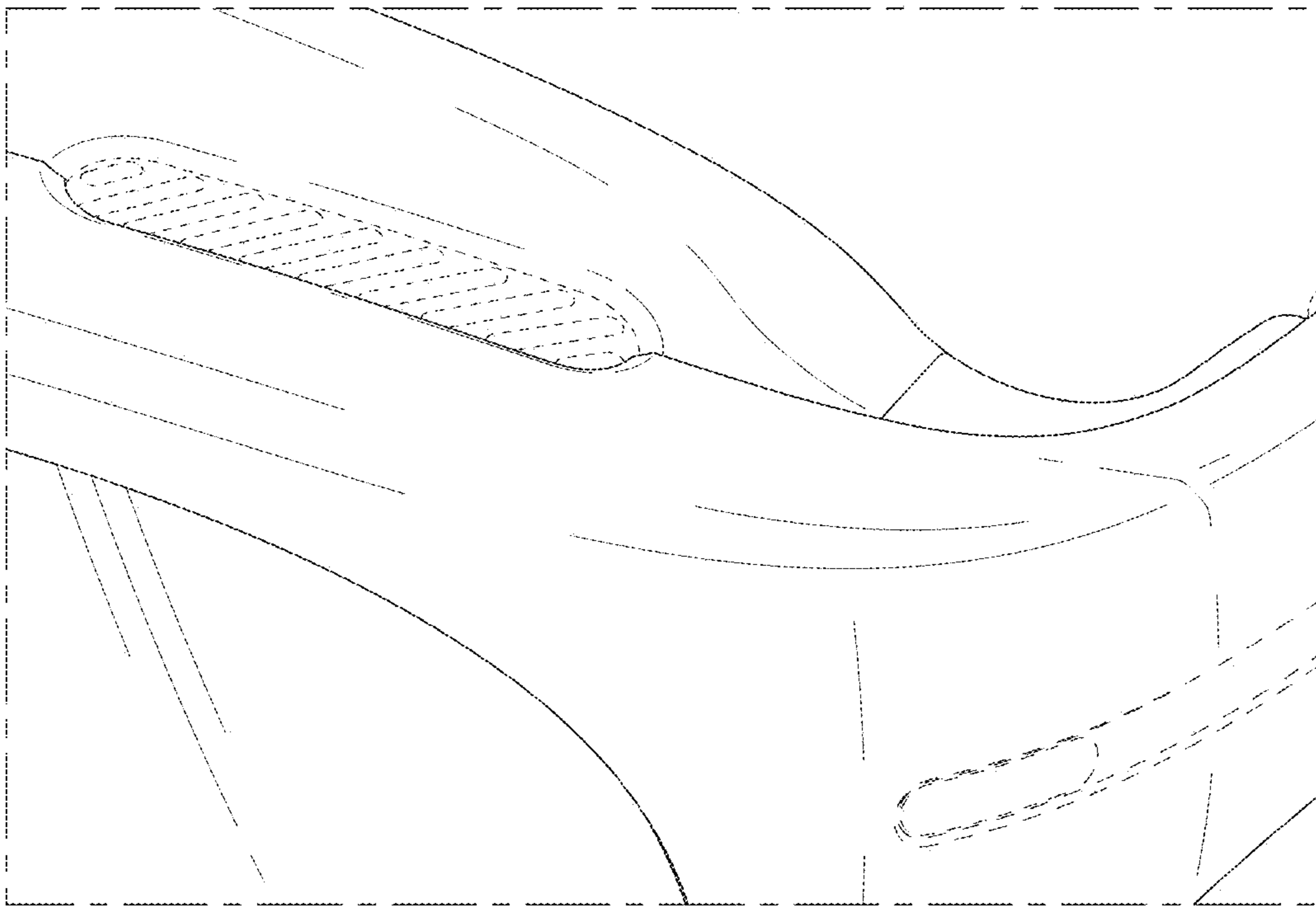


FIG. 10

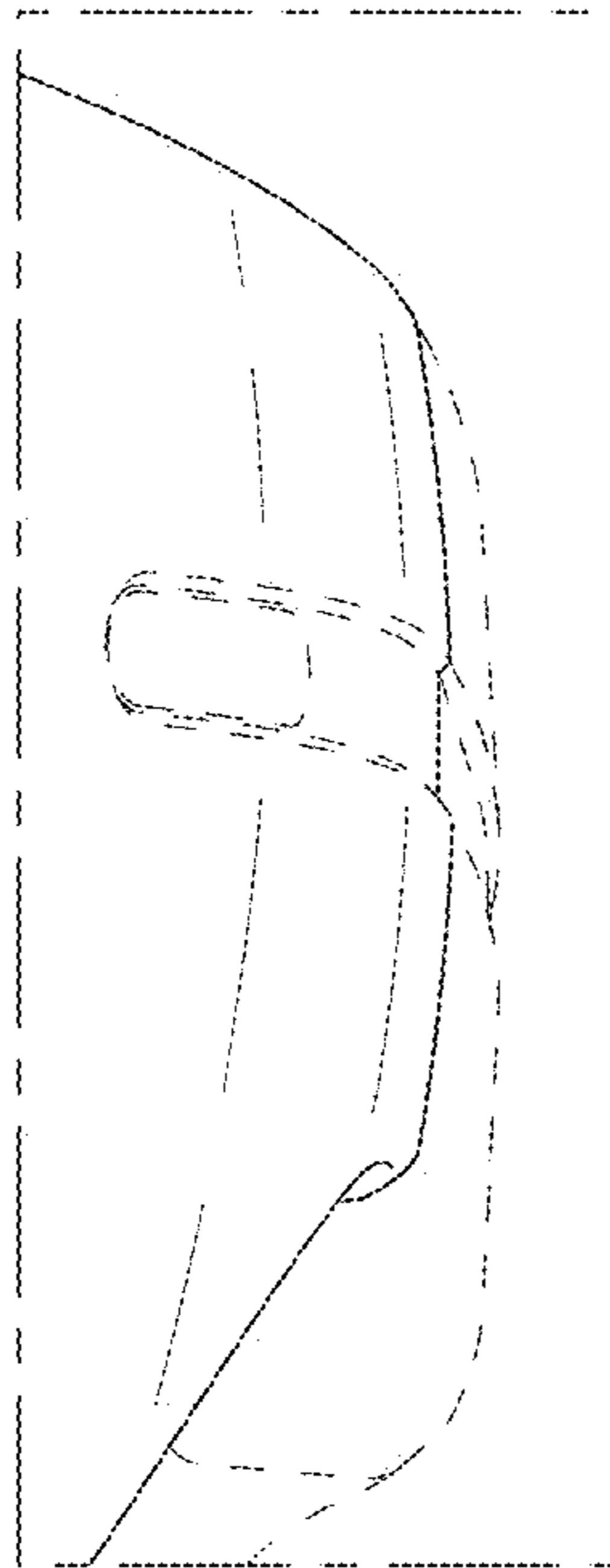


FIG. 11

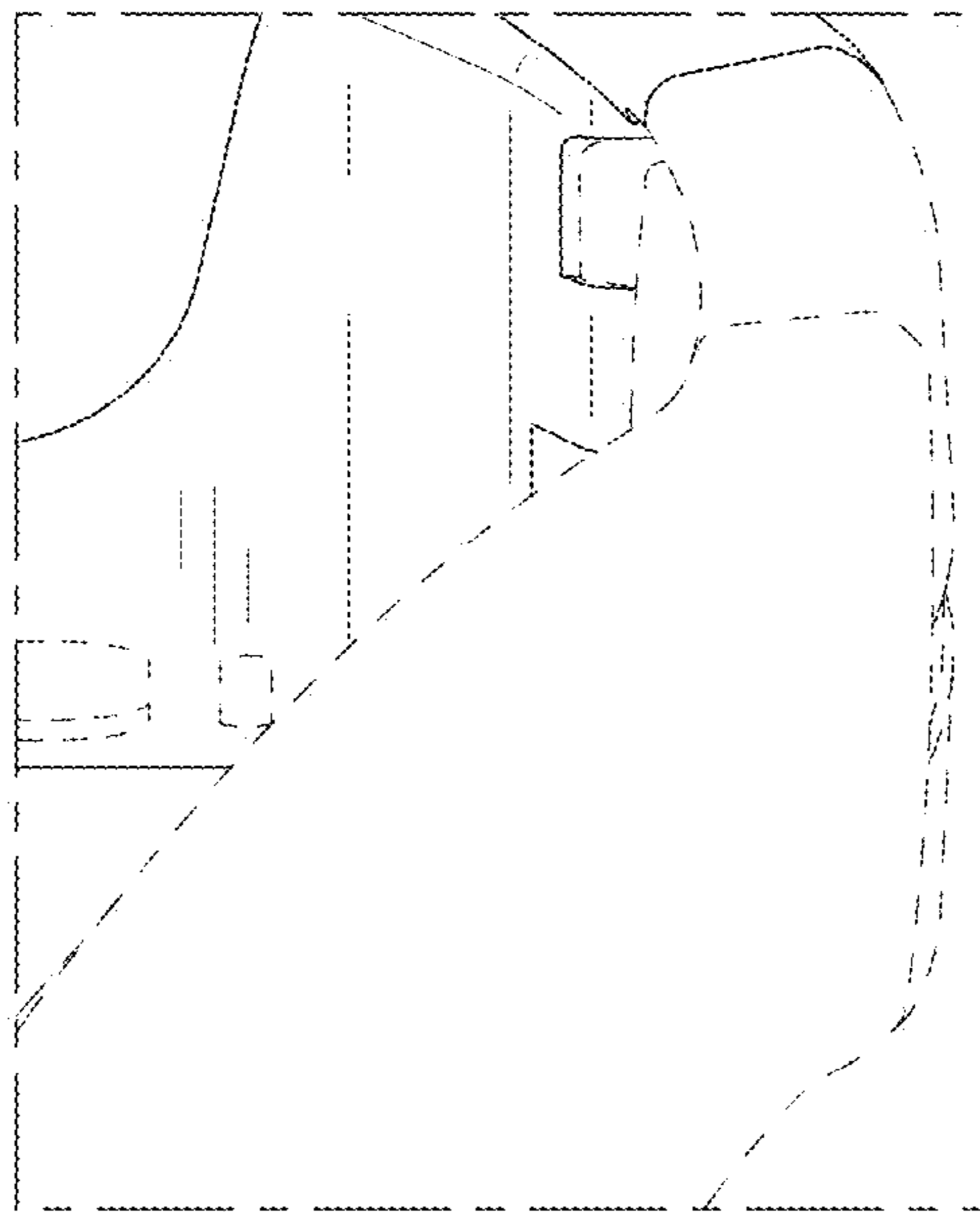


FIG. 12

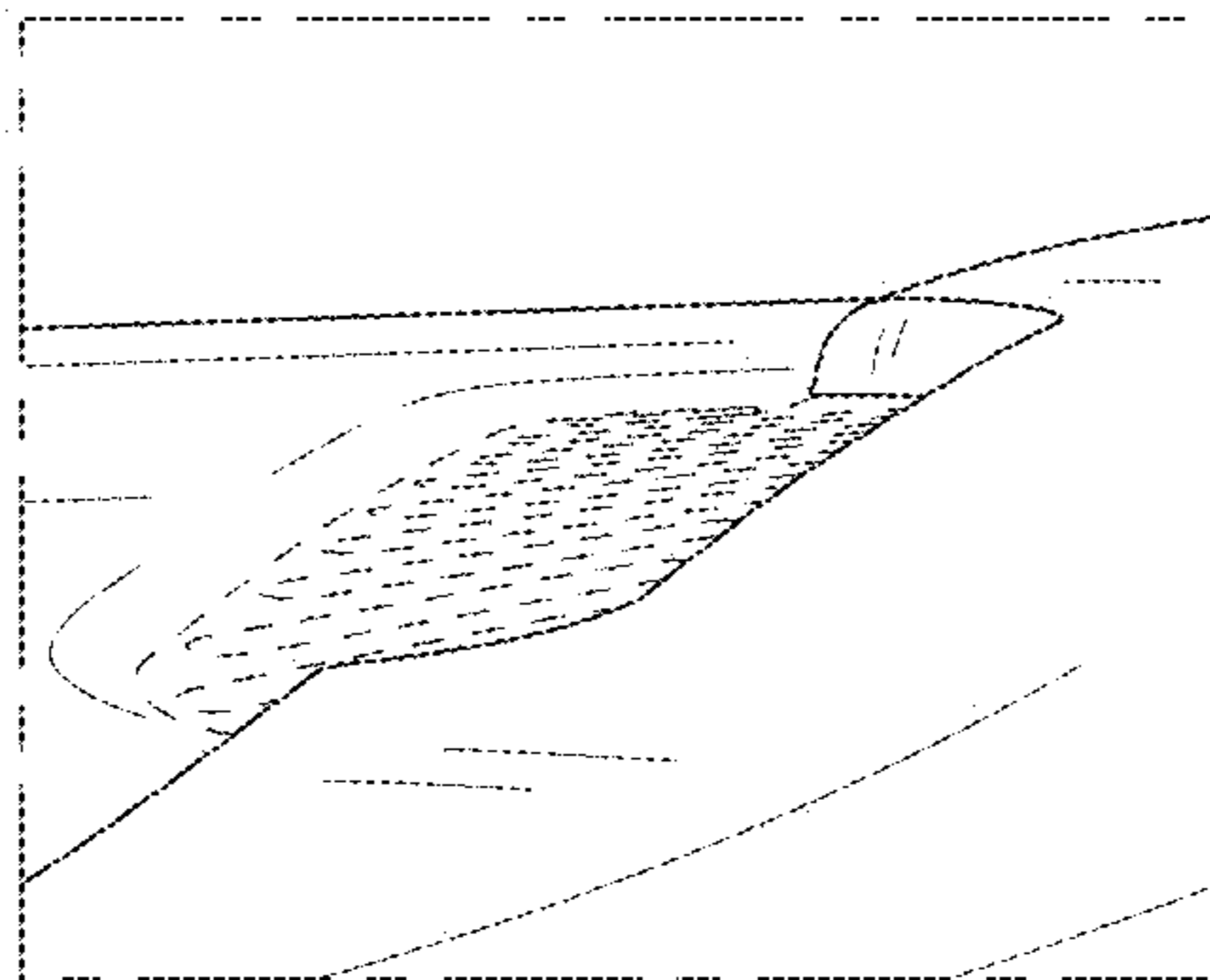


FIG. 13

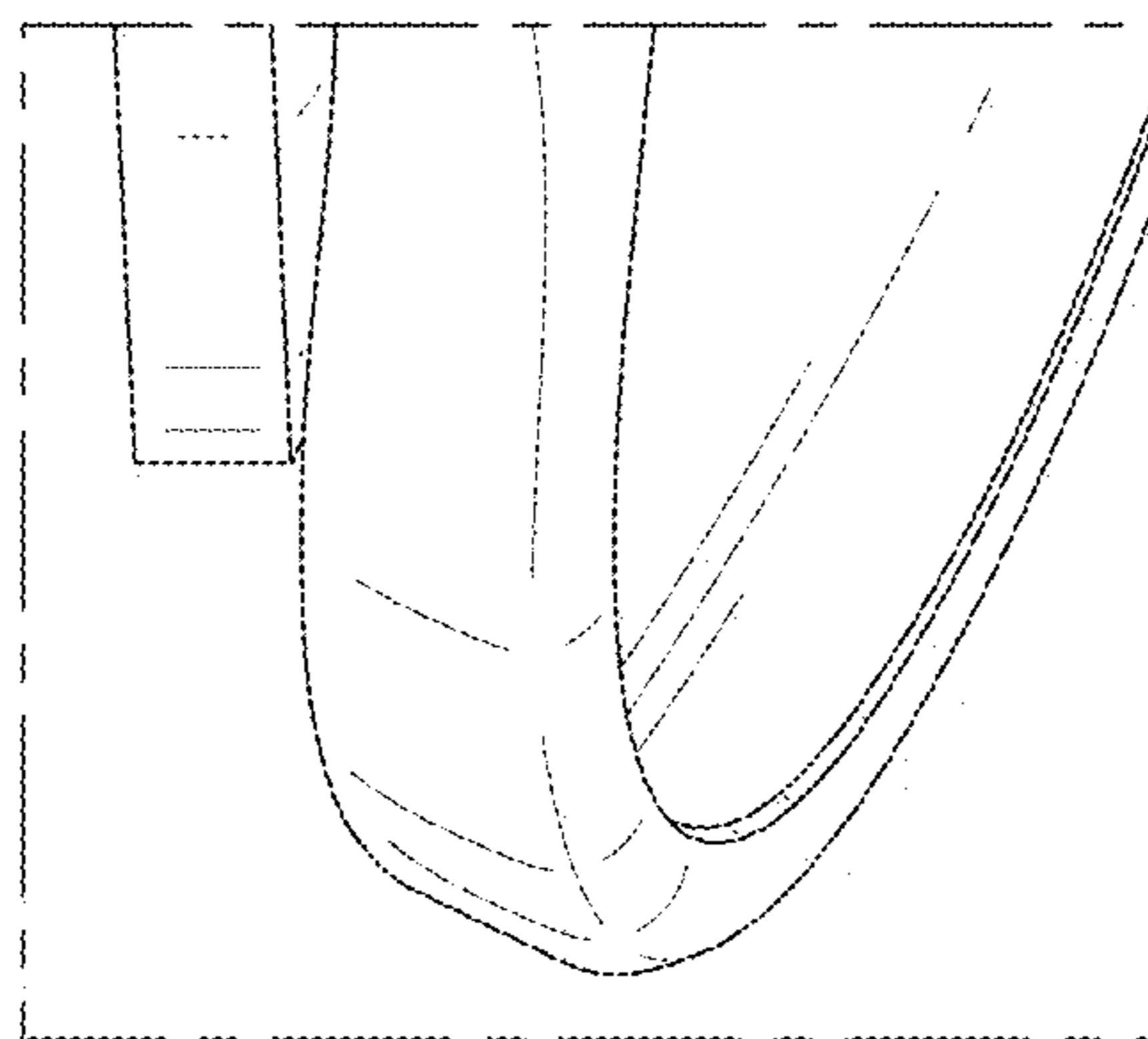


FIG. 14

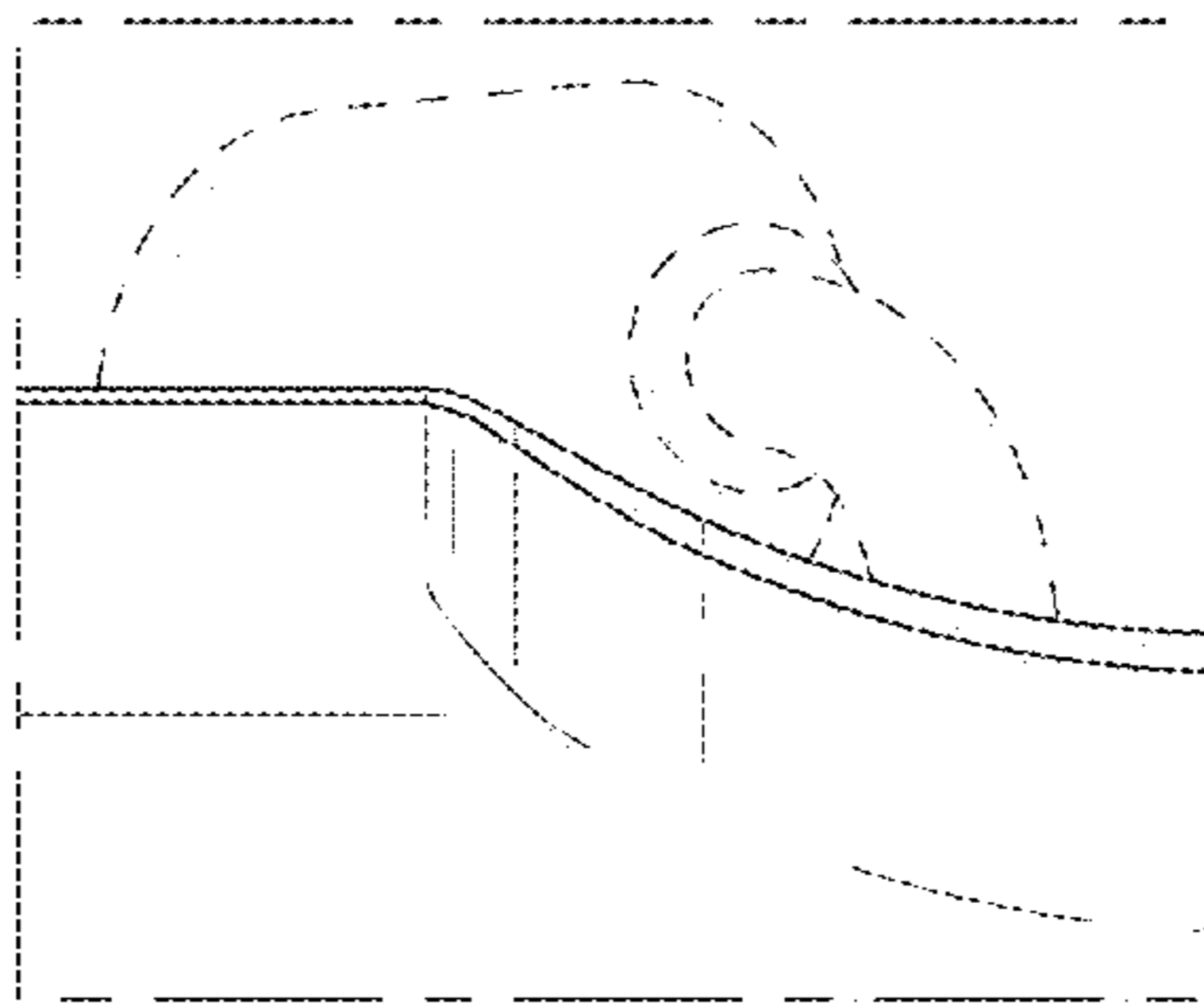


FIG. 15

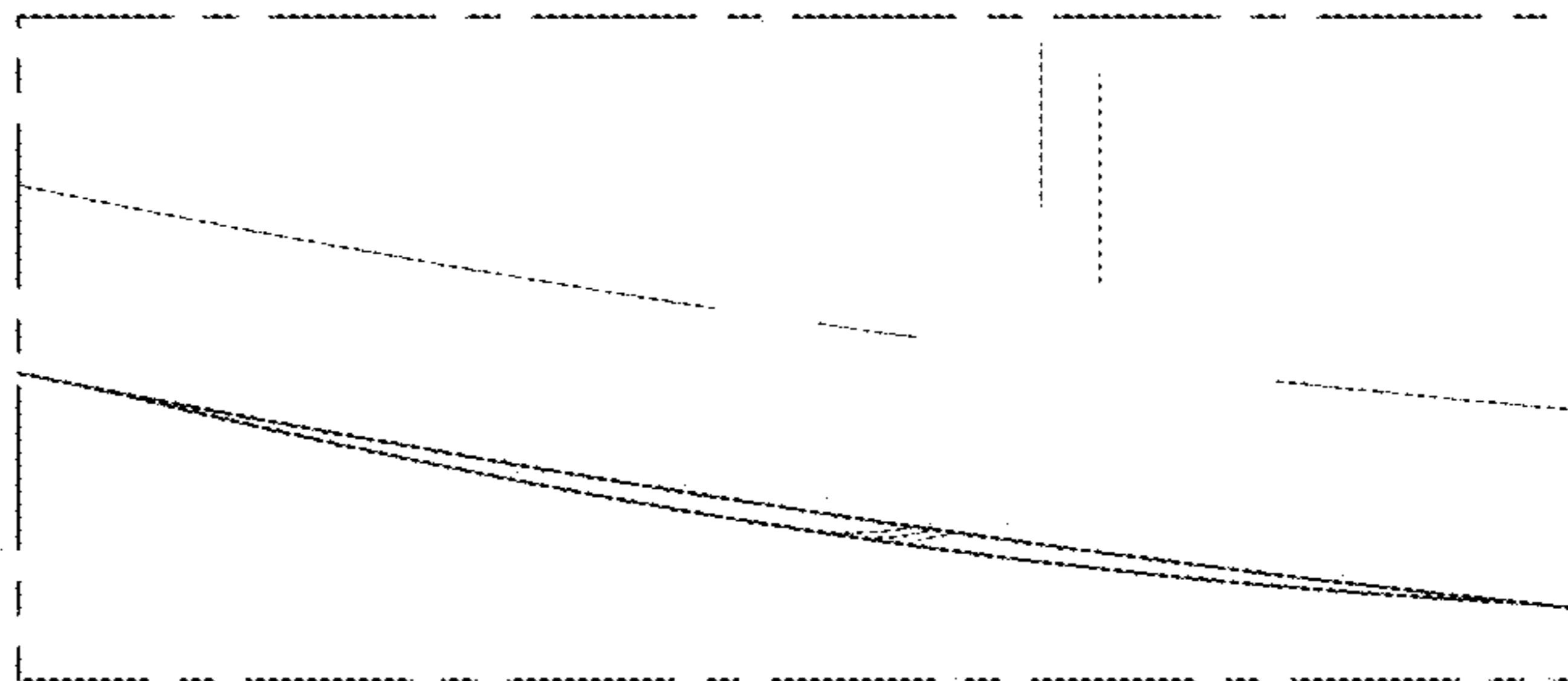


FIG. 16

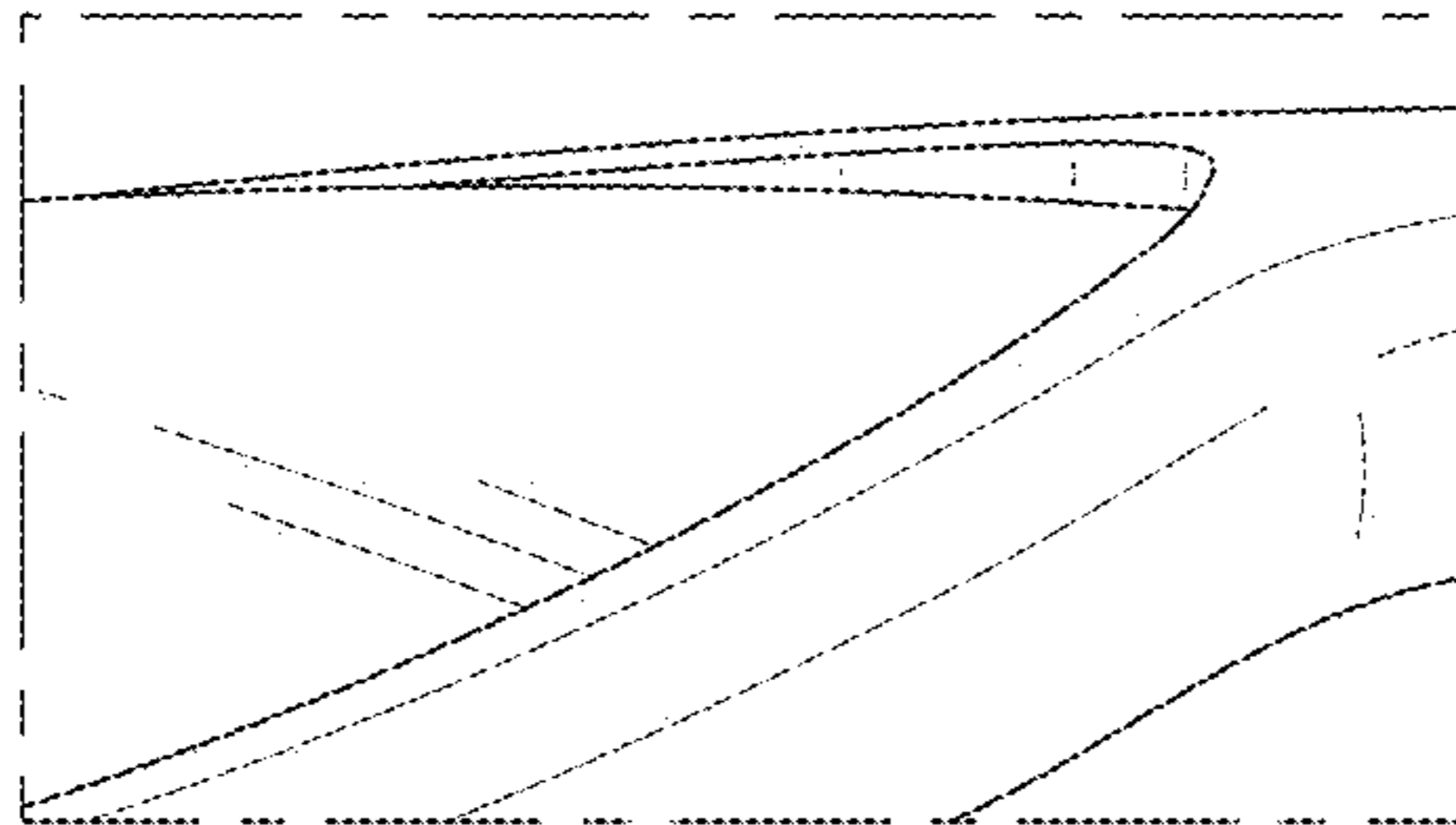


FIG. 17

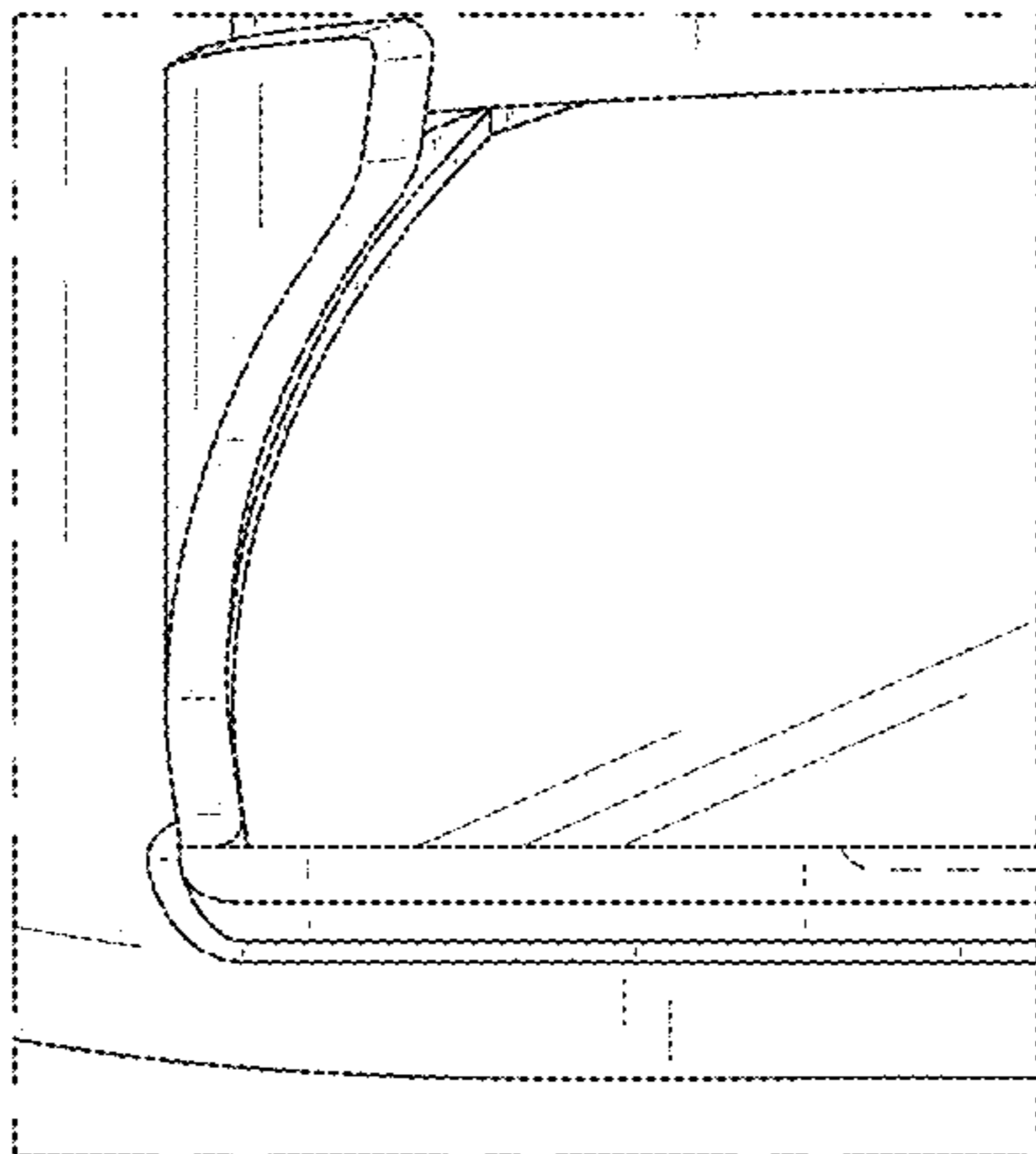


FIG. 18

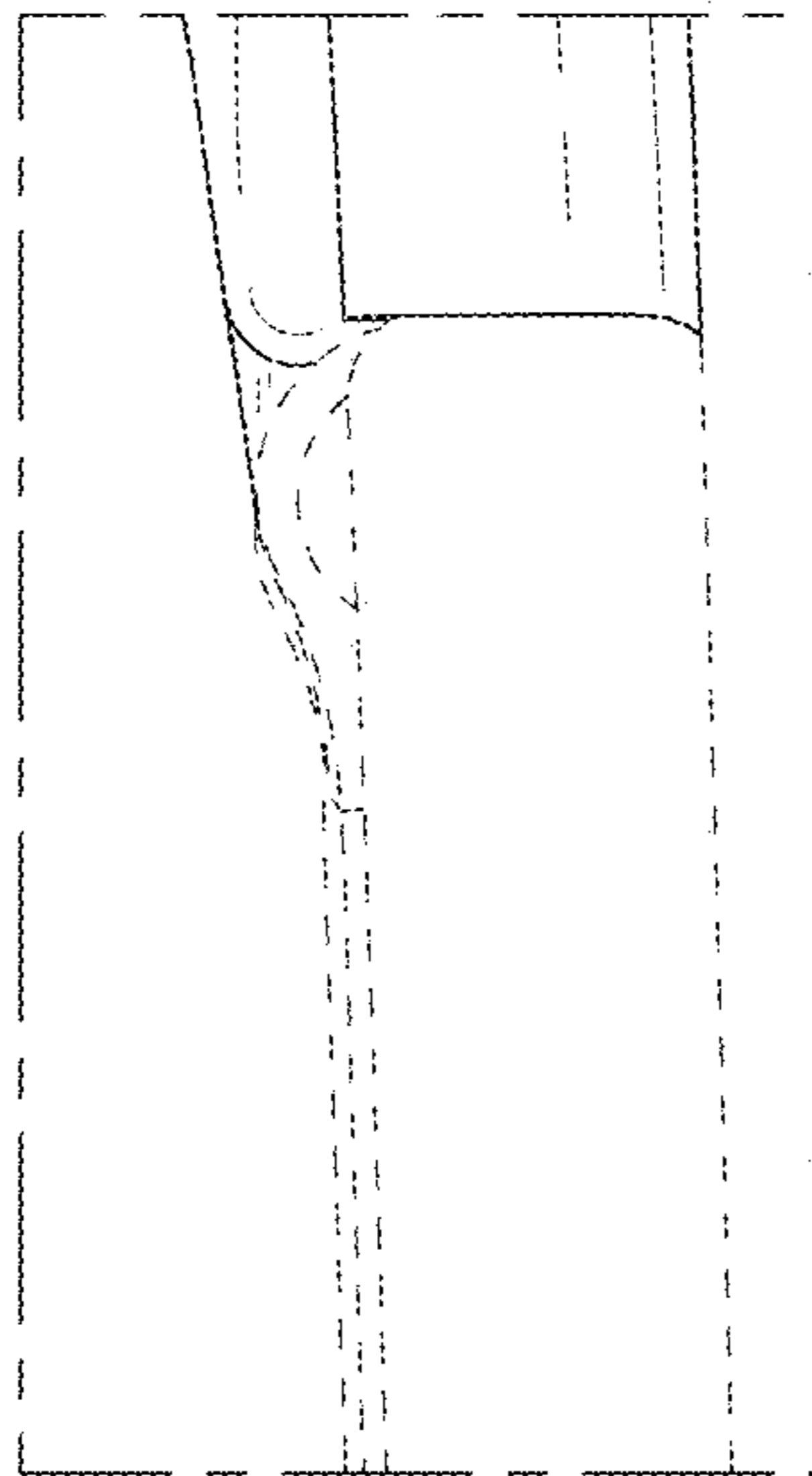


FIG. 19

