



US00D944246S

(12) **United States Design Patent**
Natsume et al.

(10) **Patent No.:** **US D944,246 S**
(45) **Date of Patent:** **** Feb. 22, 2022**

(54) **HARD HAT WITH HEADSET**
(71) Applicant: **Magic Leap, Inc.**, Plantation, FL (US)
(72) Inventors: **Shigeru Natsume**, Weston, FL (US);
Sebastian Gonzalo Arrieta Gunther,
Fort Lauderdale, FL (US)
(73) Assignee: **Magic Leap, Inc.**, Plantation, FL (US)
(**) Term: **15 Years**

(21) Appl. No.: **29/725,562**
(22) Filed: **Feb. 26, 2020**
(51) **LOC (13) Cl.** **14-02**
(52) **U.S. Cl.**
USPC **D14/372**
(58) **Field of Classification Search**
USPC D14/372, 496, 432, 371, 125, 126, 129,
D14/299; D16/300-342; 351/158, 153,
351/144; 345/7-9, 905; 455/344;
348/115, 53, 121, 739
CPC G02B 27/017; G02B 27/0158; G02B
27/0161; G02B 27/0181; G02B 27/0185;
G02B 27/0189
See application file for complete search history.

(56) **References Cited**
U.S. PATENT DOCUMENTS

D758,367 S * 6/2016 Natsume D14/372
D796,503 S * 9/2017 Natsume D14/372

D796,505 S * 9/2017 Natsume D14/372
D845,296 S * 4/2019 Natsume D14/372
D845,297 S * 4/2019 Natsume D14/372
10,267,970 B2 * 4/2019 Jones, Jr G02B 27/0081
D875,729 S * 2/2020 Natsume D14/372
D900,099 S * 10/2020 Park D14/372
D918,202 S * 5/2021 Natsume D14/372
D918,906 S * 5/2021 Natsume D14/372
D931,854 S * 9/2021 De D14/372

* cited by examiner

Primary Examiner — Austin Murphy

(74) *Attorney, Agent, or Firm* — Fish & Richardson P.C.

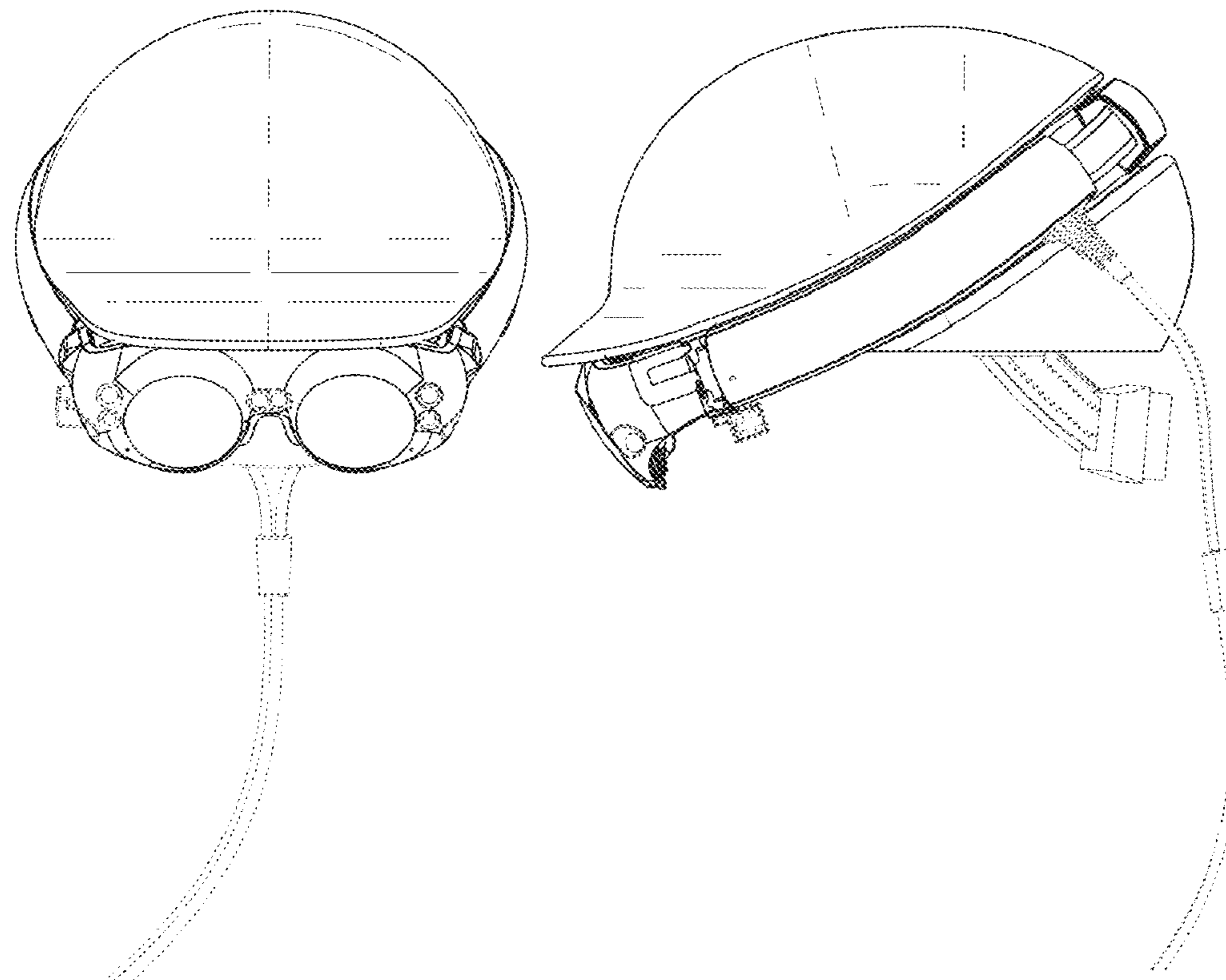
(57) **CLAIM**

The ornamental design for a hard hat with headset, as shown and described.

DESCRIPTION

FIG. 1 is a top perspective view of the hard hat with headset.
FIG. 2 is a front view thereof.
FIG. 3 is a back view thereof.
FIG. 4 is a left side view thereof.
FIG. 5 is a right side view thereof.
FIG. 6 is a top view thereof; and,
FIG. 7 is a bottom view thereof.
In some implementations, the headset includes a plurality of cameras, as illustrated in FIGS. 1, 2, 4, and 7.
The broken lines illustrate environmental features that form no part of the claimed design.

1 Claim, 4 Drawing Sheets



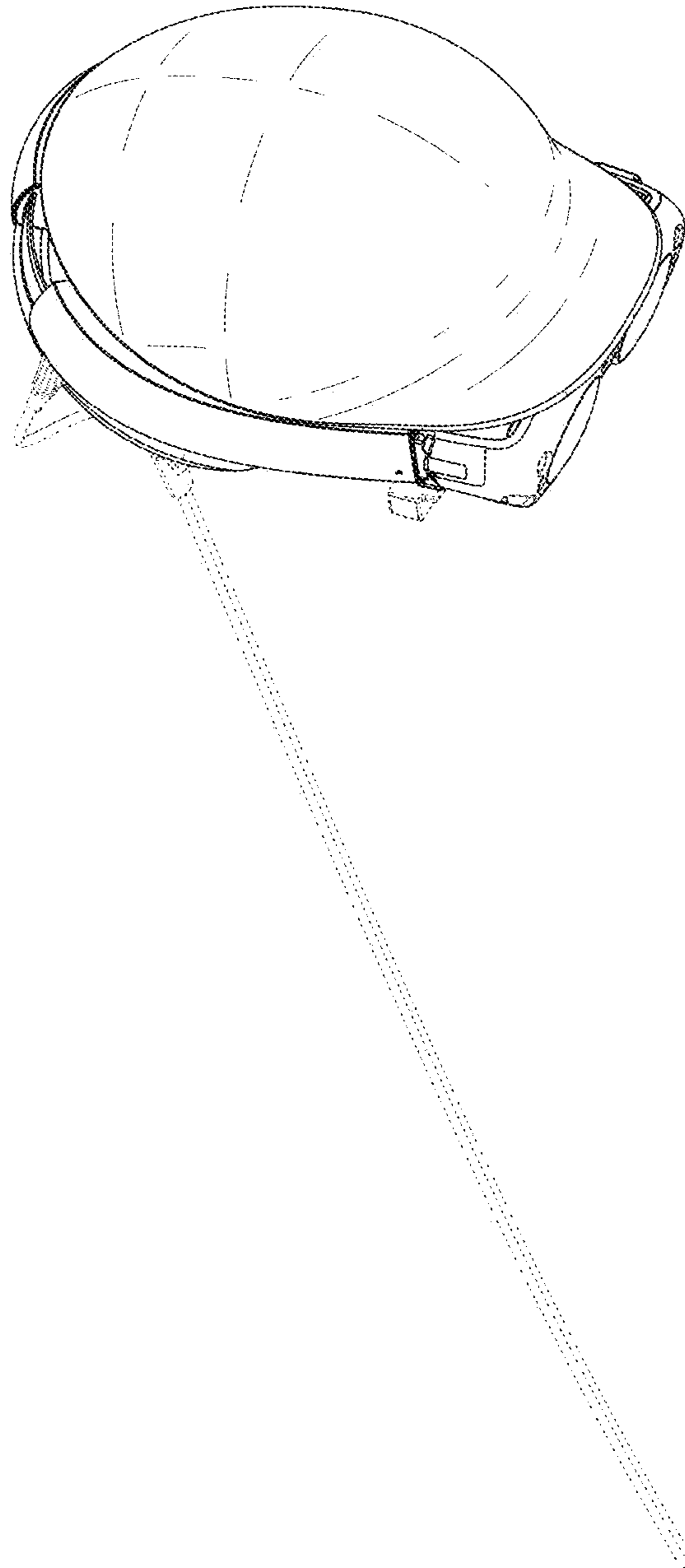


FIG. 1

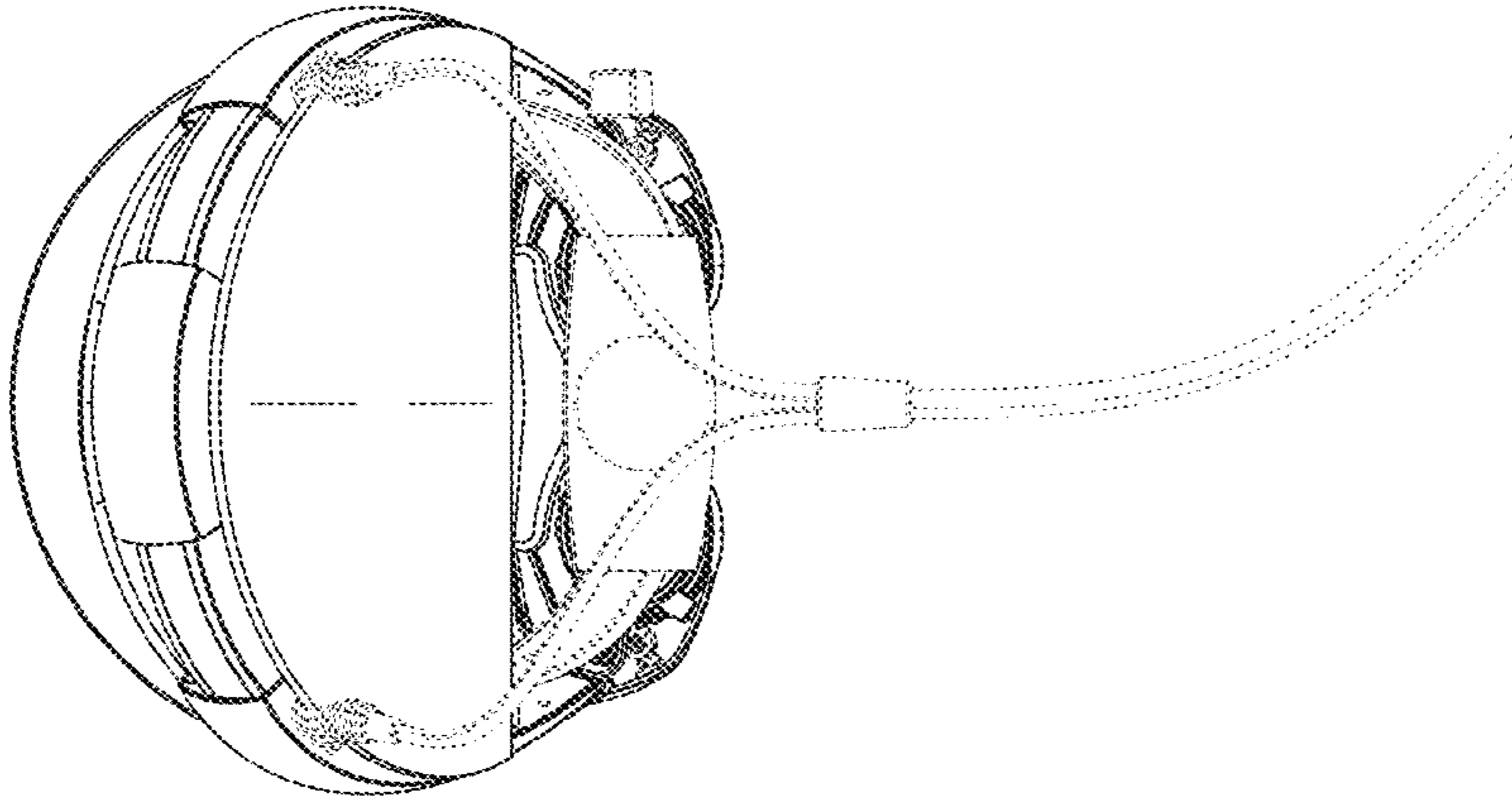


FIG. 2

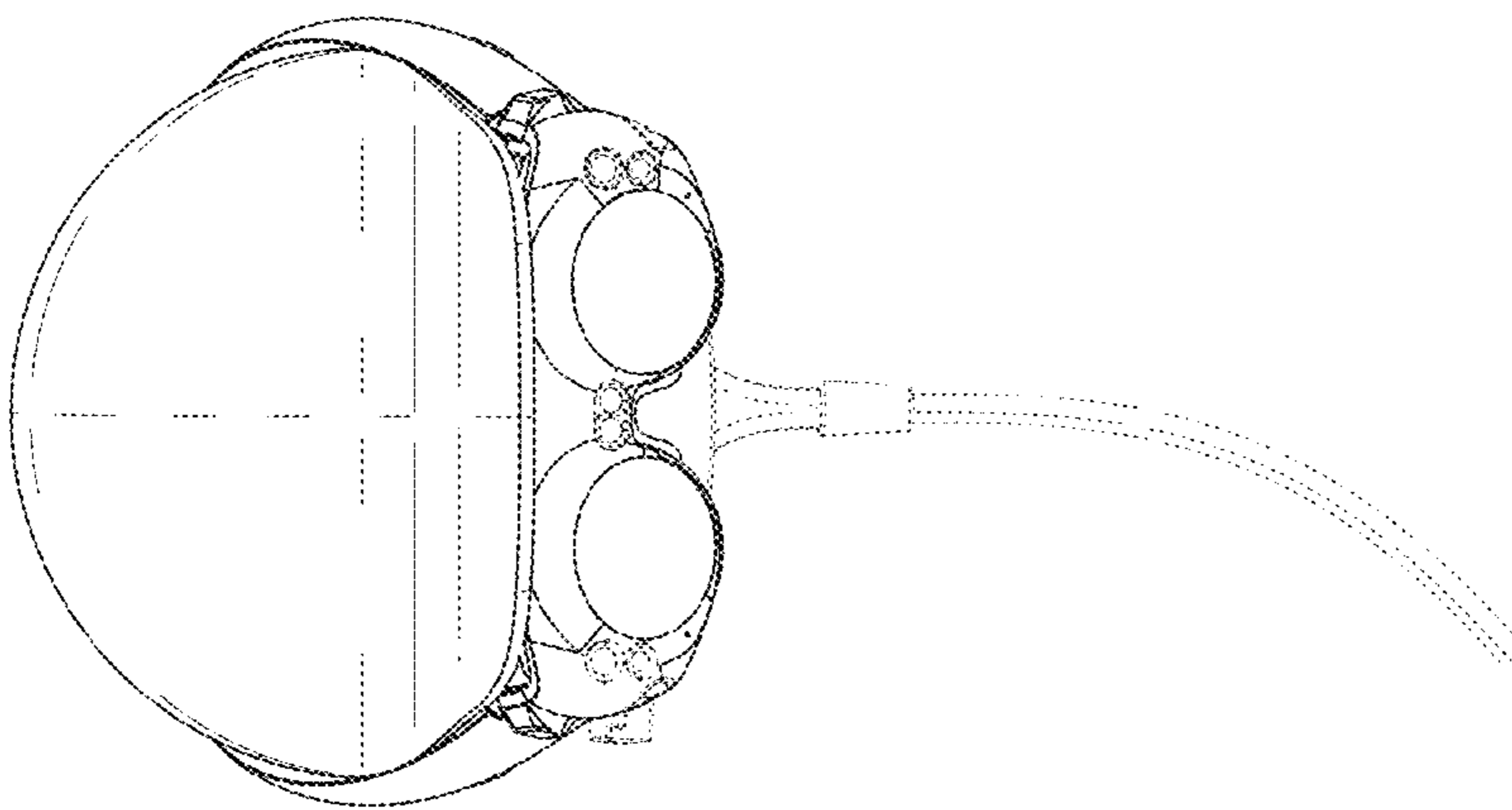


FIG. 3

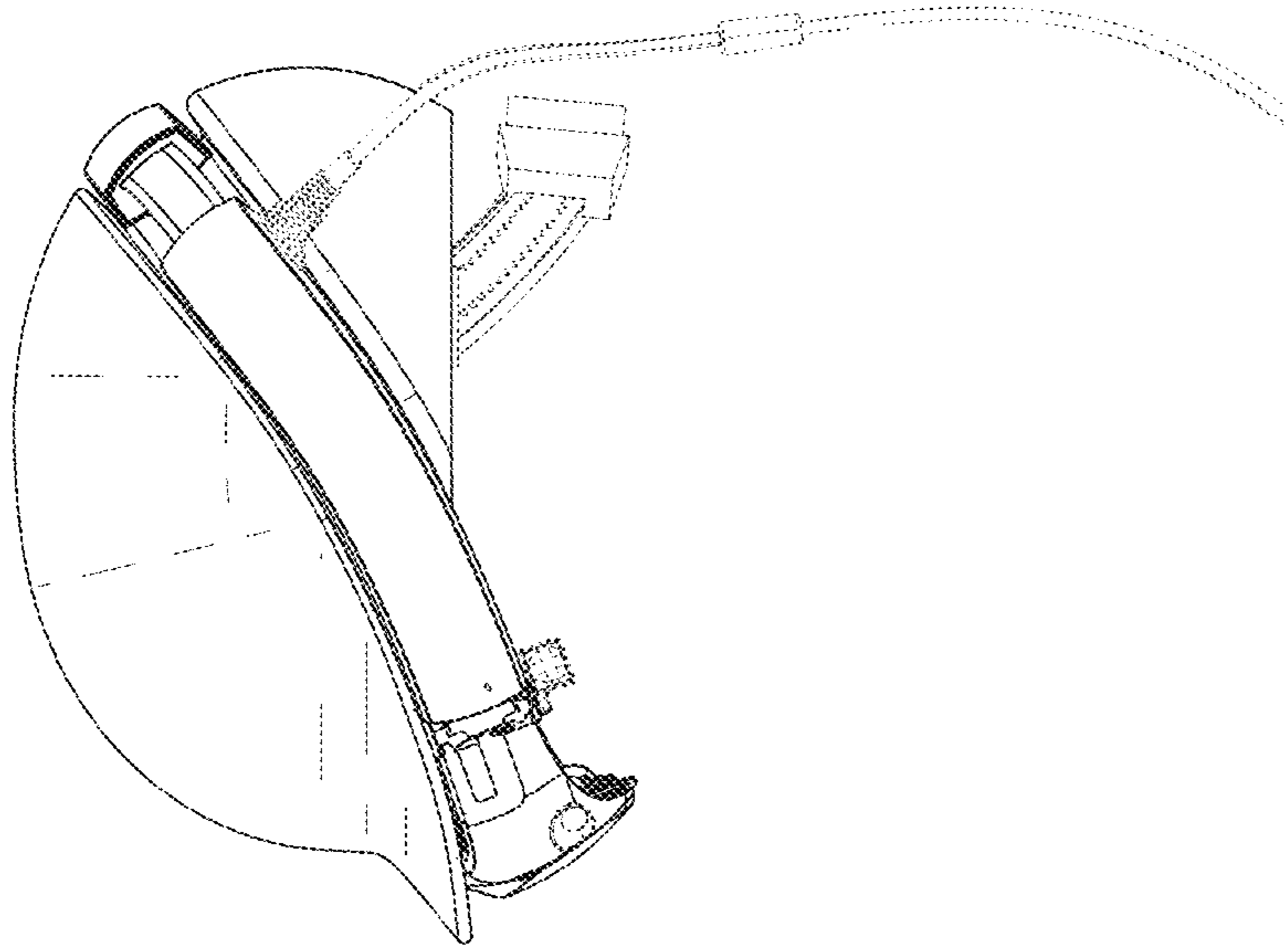


FIG. 5

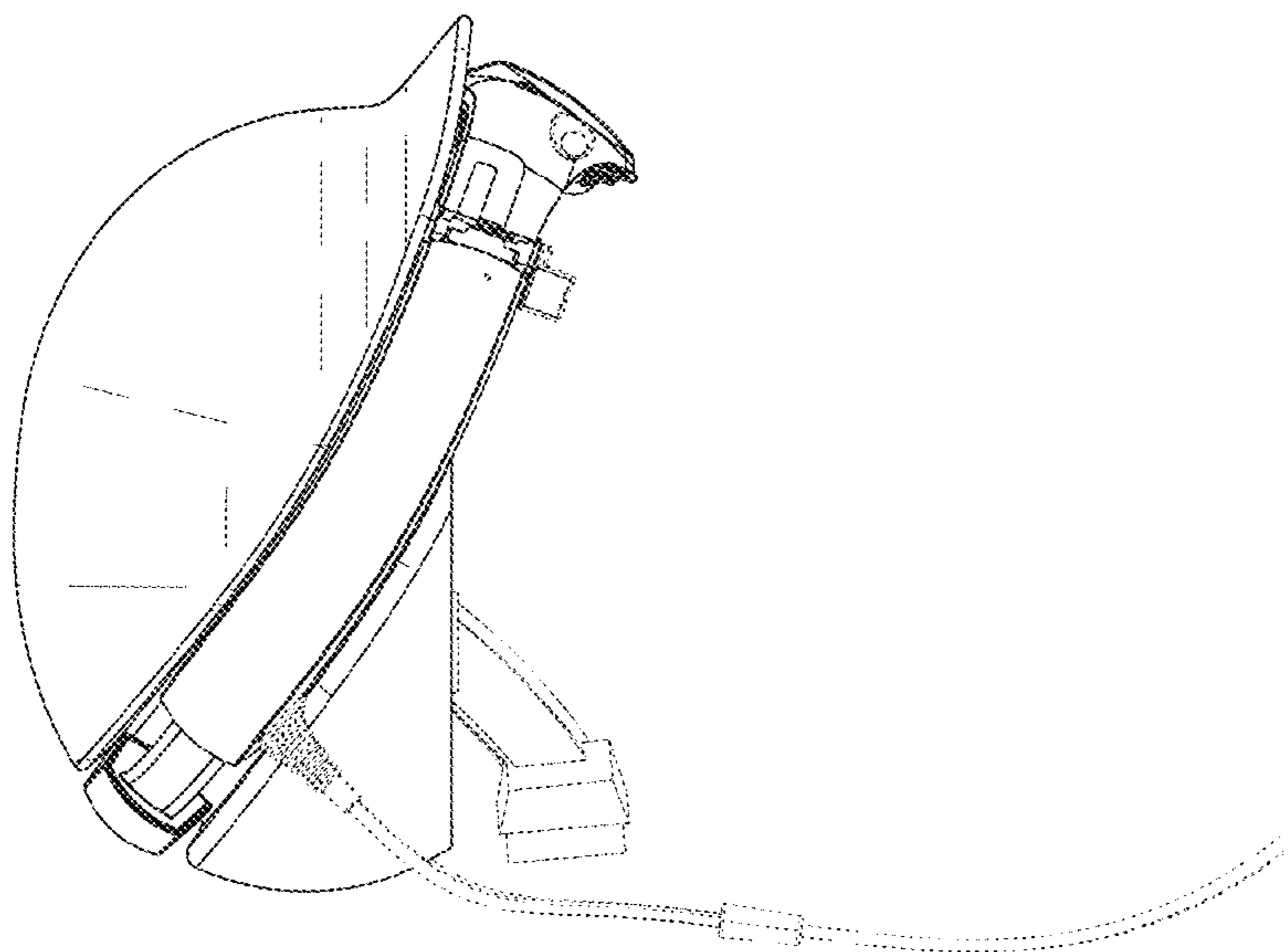


FIG. 4

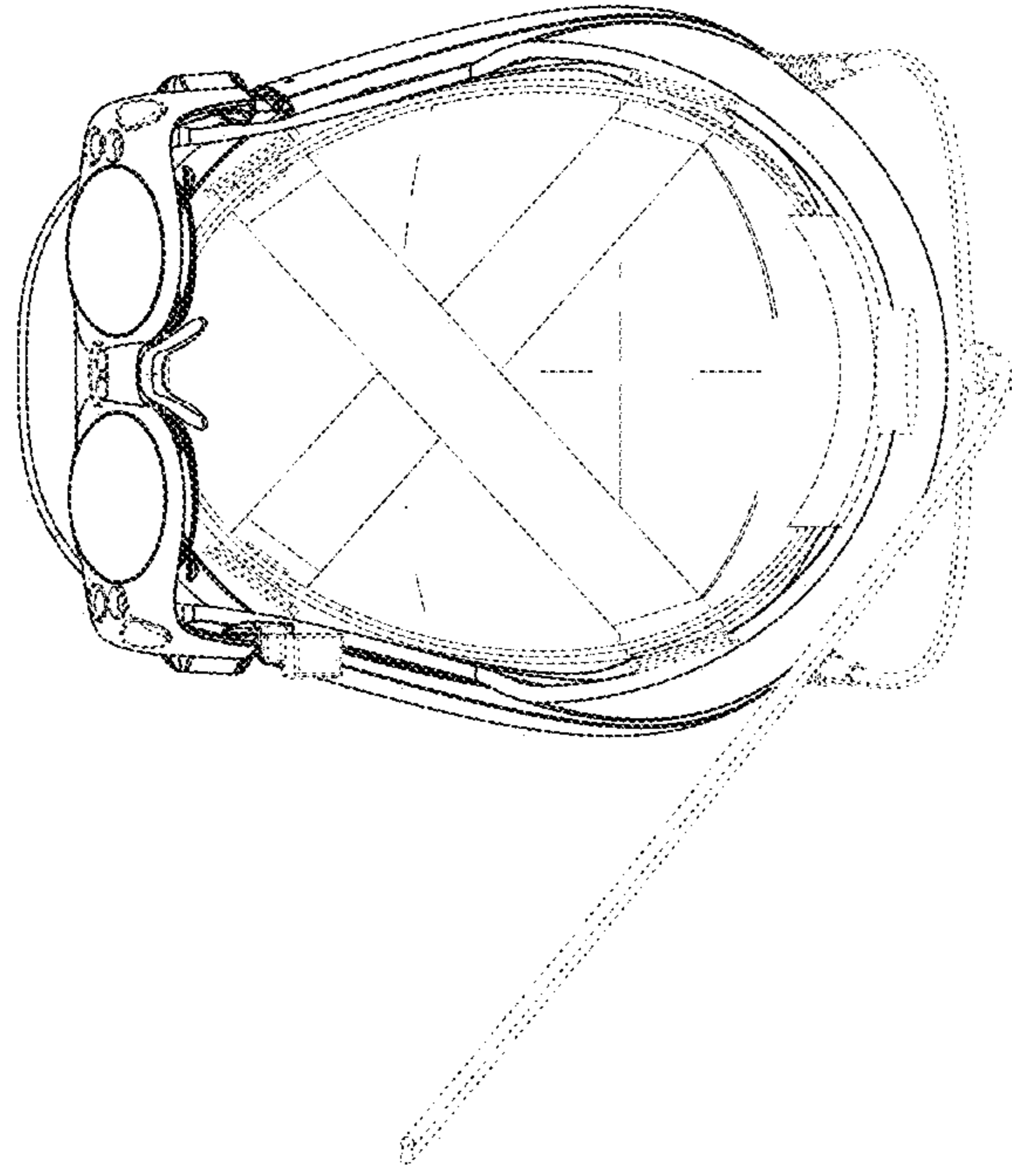


FIG. 7

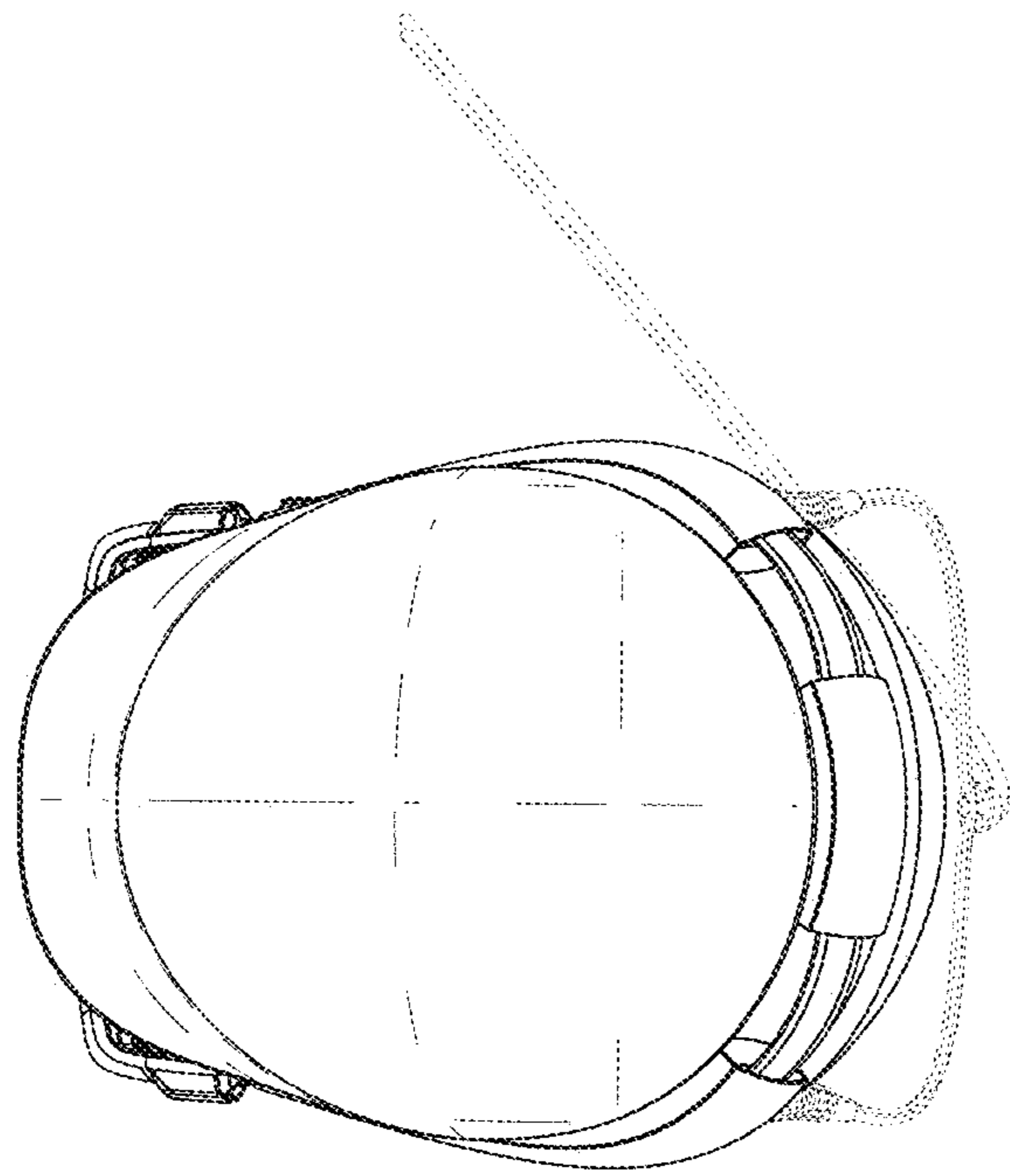


FIG. 6