



US00D944244S

(12) **United States Design Patent** (10) **Patent No.:** **US D944,244 S**
Chu et al. (45) **Date of Patent:** **** Feb. 22, 2022**

(54) **COMPUTER**

(71) Applicant: **HEWLETT-PACKARD DEVELOPMENT COMPANY, L.P.**,
Spring, TX (US)

(72) Inventors: **Henry Ken Chu**, Palo Alto, CA (US);
Daniel Young Yoon, Palo Alto, CA (US); **Siddhartha Bhat**, Palo Alto, CA (US); **Glenn A Wong**, Palo Alto, CA (US); **John William Pennington, Jr.**, Palo Alto, CA (US); **Rahul Shrikant Patil**, Taipei (CN)

(73) Assignee: **Hewlett-Packard Development Company, L.P.**, Spring, TX (US)

(**) Term: **15 Years**

(21) Appl. No.: **29/786,386**

(22) Filed: **May 31, 2021**

Related U.S. Application Data

(62) Division of application No. 29/722,792, filed on Jan. 31, 2020.

(51) **LOC (13) Cl.** **14-02**

(52) **U.S. Cl.**
USPC **D14/349**

(58) **Field of Classification Search**
USPC D14/300–304, 308–314, 328, 348–370,
D14/388, 432, 435, 439–446, 450,
D14/479–483, 140.1–140.4, 164, 193,
D14/500–502, 257–258, 265; D13/184
CPC G06F 1/16; G06F 1/1628; G06F 1/181;
H05K 7/00; H05K 7/18; H05K 7/14;
H05K 5/00; H05K 5/0004; H05K 5/0008;
H05K 5/0021; H05K 5/0213; H05K
5/012; H05K 5/0234

See application file for complete search history.

(56) **References Cited**

U.S. PATENT DOCUMENTS

D314,760	S	*	2/1991	Horie	D14/350
D319,044	S	*	8/1991	Kahan	D13/162
D336,745	S	*	6/1993	Dow	D14/362
D366,461	S	*	1/1996	Spechts	D13/184
D376,137	S	*	12/1996	MacMurtrie	D14/349
D453,931	S	*	2/2002	Murphy	D14/311
D468,308	S	*	1/2003	Murphy	D14/350
D468,737	S	*	1/2003	Chien	D14/349

(Continued)

OTHER PUBLICATIONS

HP OMEN, posted at Best Buy, posting year 2020, site visited Jun. 5, 2021. URL: <<https://www.bestbuy.com/site/hp-omen-301-gaming-desktop-amd-ryzen-7-series-3700x-16gb-memory-nvidia-geforce-rtx-2060-1tb-hdd-256gb-ssd-black/6402514.p?skuld=6402514>> (Year: 2020).*

(Continued)

Primary Examiner — Kathleen L Jones

(74) *Attorney, Agent, or Firm* — Perry + Currier Inc

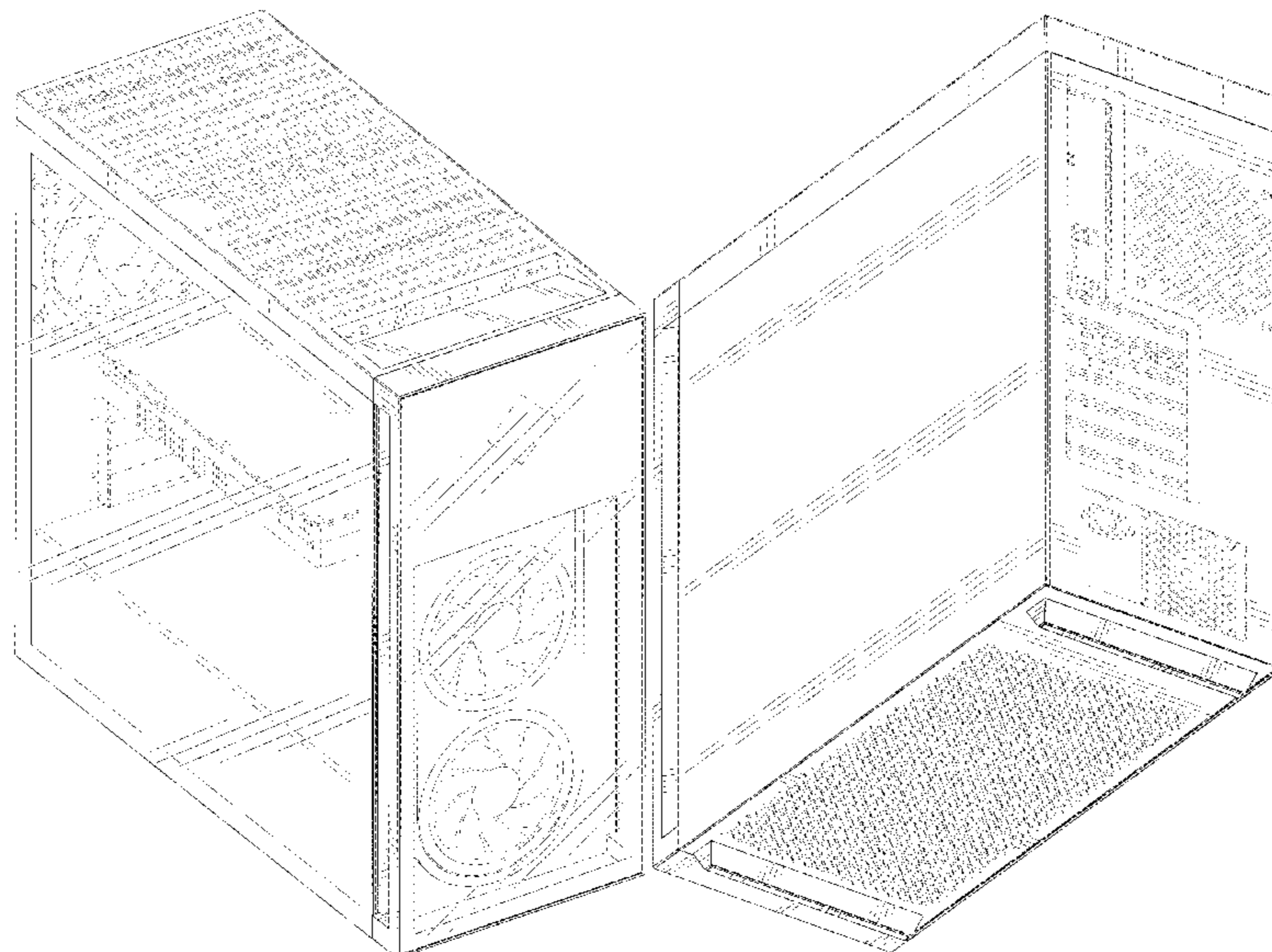
(57) **CLAIM**

The ornamental design for a computer, as shown and described.

DESCRIPTION

FIG. 1 is a top-front perspective view of a computer according to our new design.
FIG. 2 is a bottom-rear perspective view of the computer of FIG. 1.
FIG. 3 is a left-side view of the computer of FIG. 1.
FIG. 4 is a front view of the computer of FIG. 1.
FIG. 5 is a right-side view of the computer of FIG. 1.
FIG. 6 is a rear view of the computer of FIG. 1.
FIG. 7 is a top view of the computer of FIG. 1; and,
FIG. 8 is a bottom view of the computer of FIG. 1.
The broken lines in the figures showing portions of the computer form no part of the claimed design.

1 Claim, 8 Drawing Sheets



(56)

References Cited

U.S. PATENT DOCUMENTS

D489,719 S * 5/2004 Crisp D14/351
 D495,696 S * 9/2004 Peng D14/349
 D497,163 S * 10/2004 Andre D14/349
 D510,350 S * 10/2005 Kumano D14/349
 D512,999 S * 12/2005 Kumano D14/349
 D517,547 S * 3/2006 Kubota D14/349
 D544,453 S * 6/2007 Yamada D14/125
 D553,617 S * 10/2007 Tosh D14/352
 D561,759 S * 2/2008 Chen D14/352
 D575,778 S * 8/2008 Dearborn D14/300
 D575,779 S * 8/2008 Dearborn D14/300
 D585,058 S * 1/2009 Sun D14/349
 D585,446 S * 1/2009 Sun D14/349
 D585,447 S * 1/2009 Chen D14/349
 D604,732 S * 11/2009 Sun D14/349
 D606,541 S * 12/2009 Solomon D14/349
 D609,232 S * 2/2010 Wang D14/308
 D624,066 S * 9/2010 Samsonsen D14/308
 D647,523 S * 10/2011 Su D14/349
 D676,444 S * 2/2013 Cloutier D14/349
 D689,050 S * 9/2013 Chong D14/358
 D707,224 S * 6/2014 Bae D14/349
 D707,225 S * 6/2014 Shin D14/349
 D729,225 S * 5/2015 Kishita D14/300
 D791,762 S * 7/2017 Wallin D14/308
 D794,015 S * 8/2017 Probst D14/349
 D801,965 S * 11/2017 Jasinski D14/349
 D816,669 S * 5/2018 Jasinski D14/349
 D843,996 S * 3/2019 Krivonak D14/300
 10,251,298 B1 * 4/2019 Lin G06F 1/181
 D870,688 S * 12/2019 Roy D13/184
 D896,218 S * 9/2020 Gao D14/301

D912,656 S * 3/2021 Hwang D14/314
 D919,614 S * 5/2021 Huang D14/314
 D926,750 S * 8/2021 Akana D14/314
 2005/0117294 A1 * 6/2005 Hsieh G06F 1/20
 361/695
 2005/0152106 A1 * 7/2005 Coster G06F 1/181
 361/679.58
 2006/0039107 A1 * 2/2006 Kumano G06F 1/181
 361/690
 2006/0238974 A1 * 10/2006 Musgrave G06F 1/20
 361/695
 2006/0285293 A1 * 12/2006 Toyoda G06F 1/20
 361/695
 2007/0247802 A1 * 10/2007 Imsand G06F 1/187
 361/679.39
 2007/0285886 A1 * 12/2007 Huang G06F 1/1601
 361/679.49
 2018/0341297 A1 * 11/2018 Kinstle, III H05K 7/20209

OTHER PUBLICATIONS

The best gaming PC 2019, posted at Swasin Tech Services, posting date Aug. 20, 2019. Site visited Jun. 5, 2021. URL: <<https://swasintechservices.wordpress.com/2019/08/20/the-best-gaming-pc-2019-5-of-the-top-gaming-desktops-you-can-buy/>> (Year: 2019).*

Thermaltake View 51 Snow Motherboard Sync ARGB E-ATX Full Tower Gaming Computer Case, via Amazon, posting date Jan. 23, 2020. Site visited Jun. 5, 2021. URL: <https://www.amazon.com/Thermaltake-Motherboard-Computer-Pre-Installed-CA-1Q6-00M6WN-00/dp/B08451HJGG/ref=pd_rhf_dp_p_img_4?encoding=UTF8&ps> (Year: 2020).*

* cited by examiner

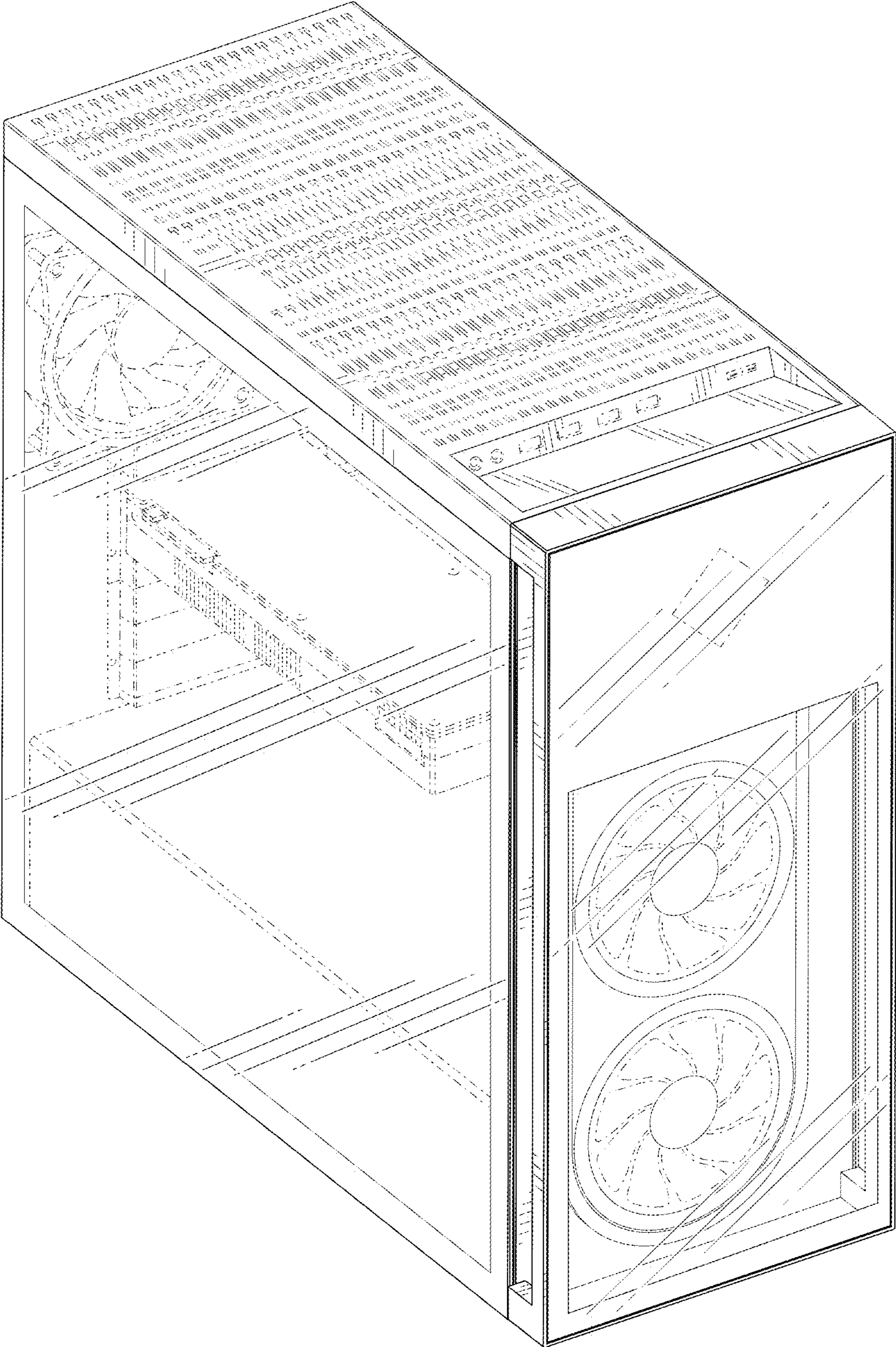


FIG. 1

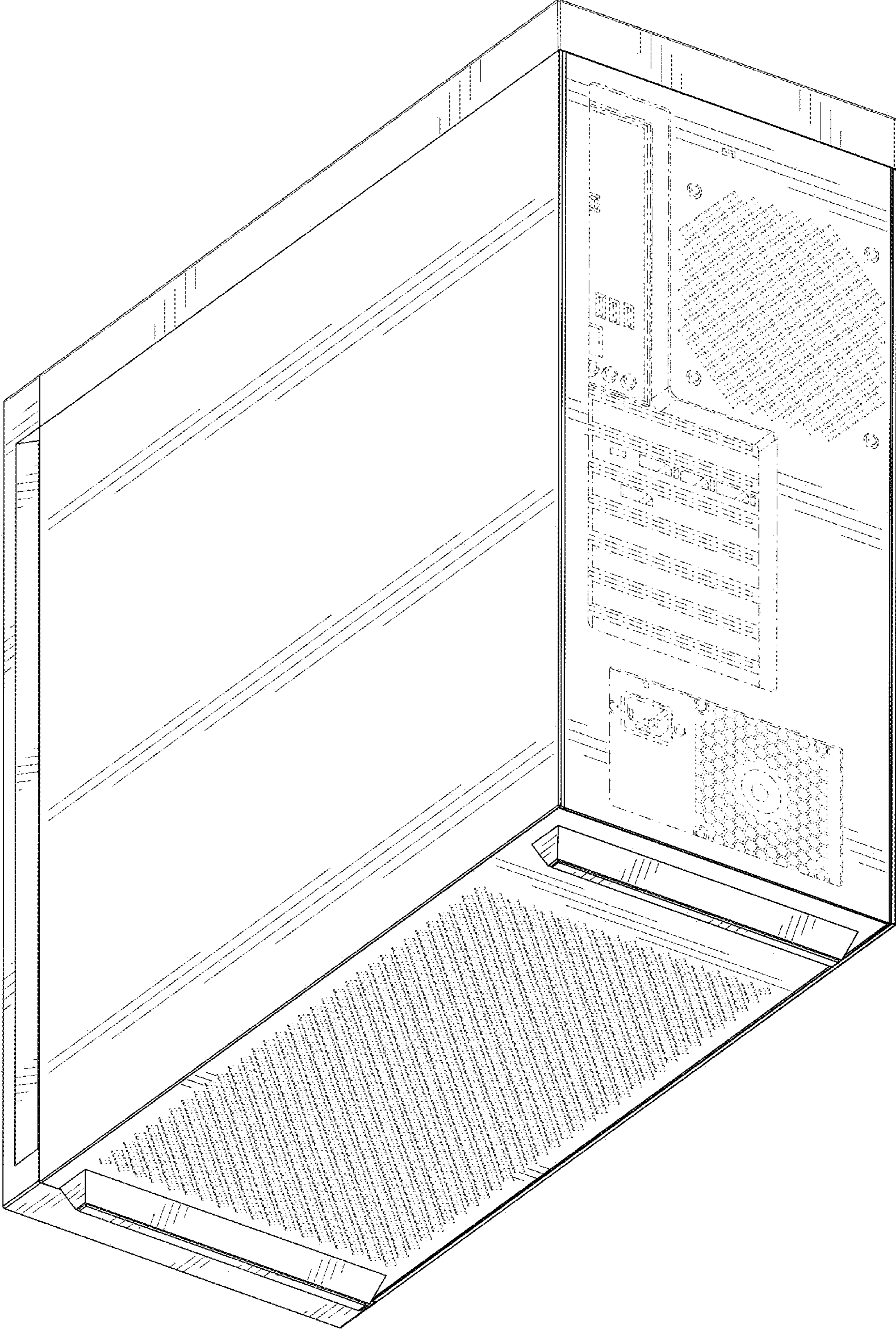


FIG. 2

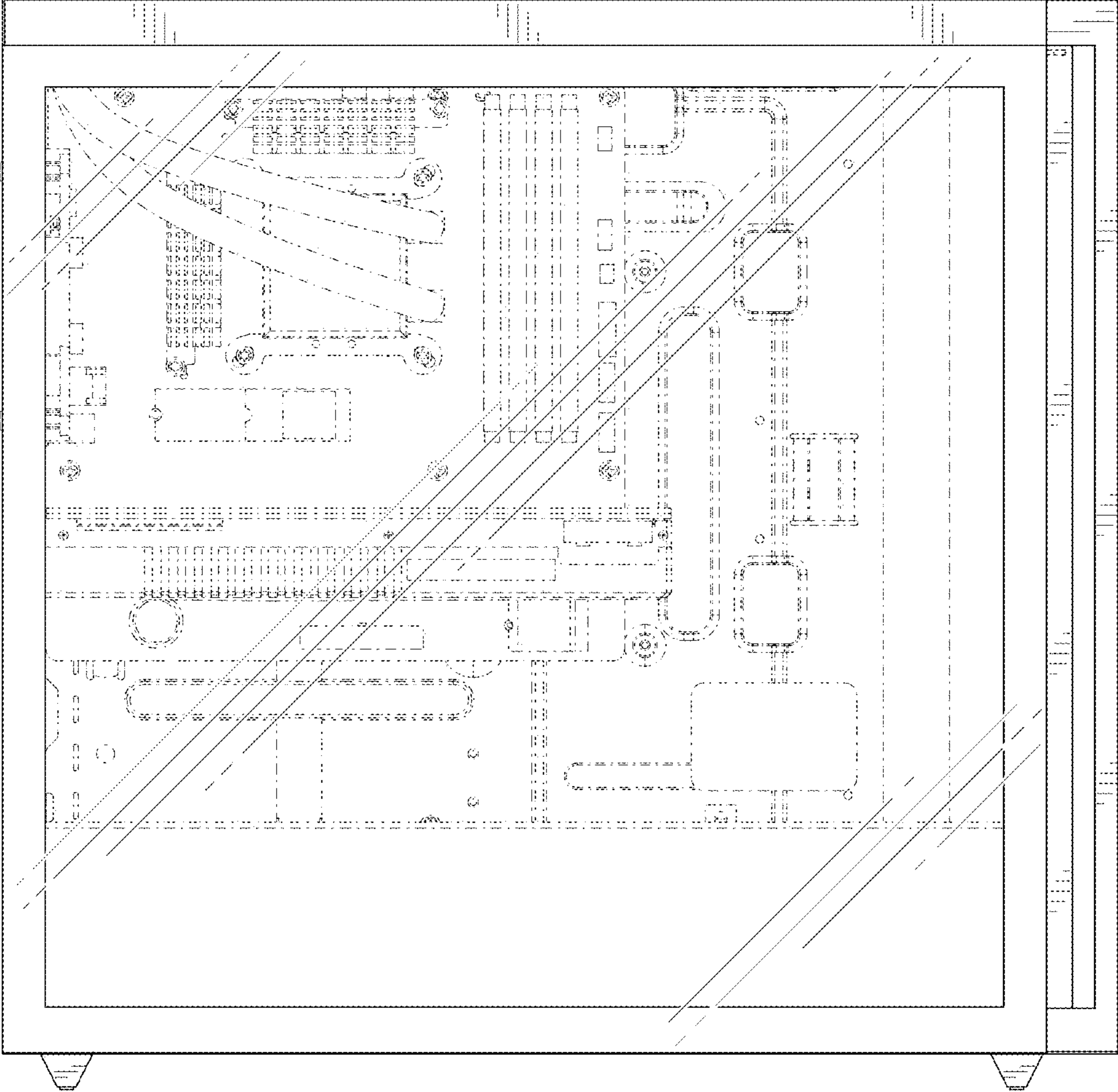


FIG. 3

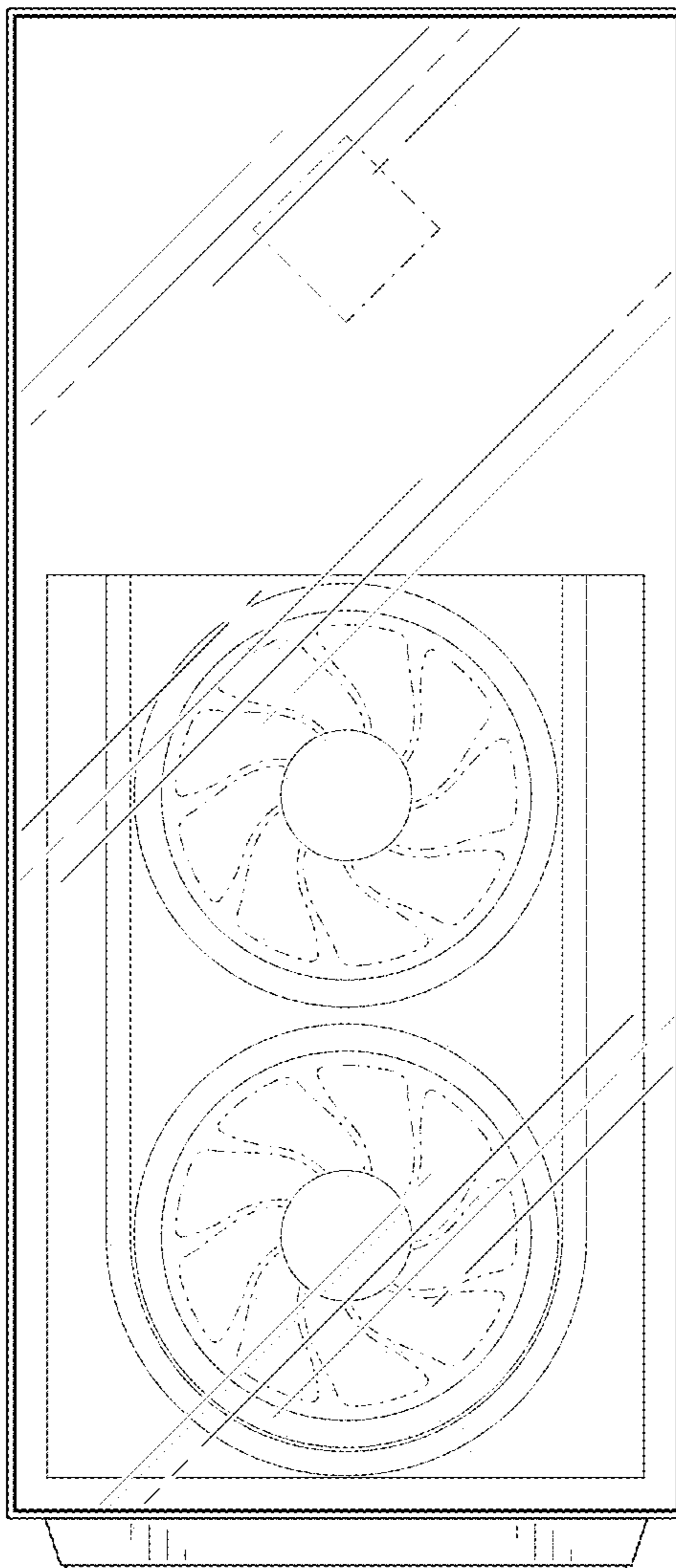


FIG. 4

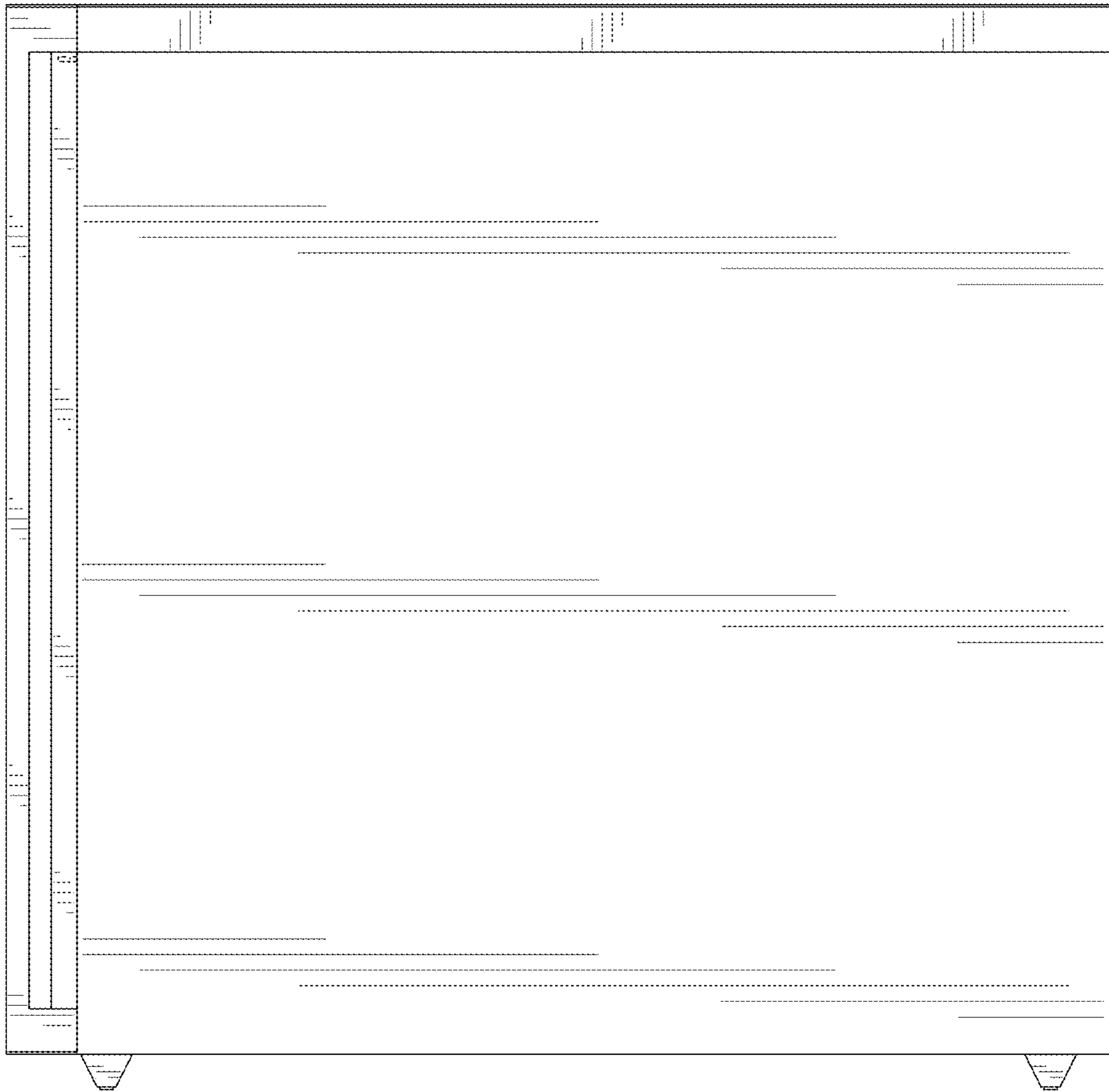


FIG. 5

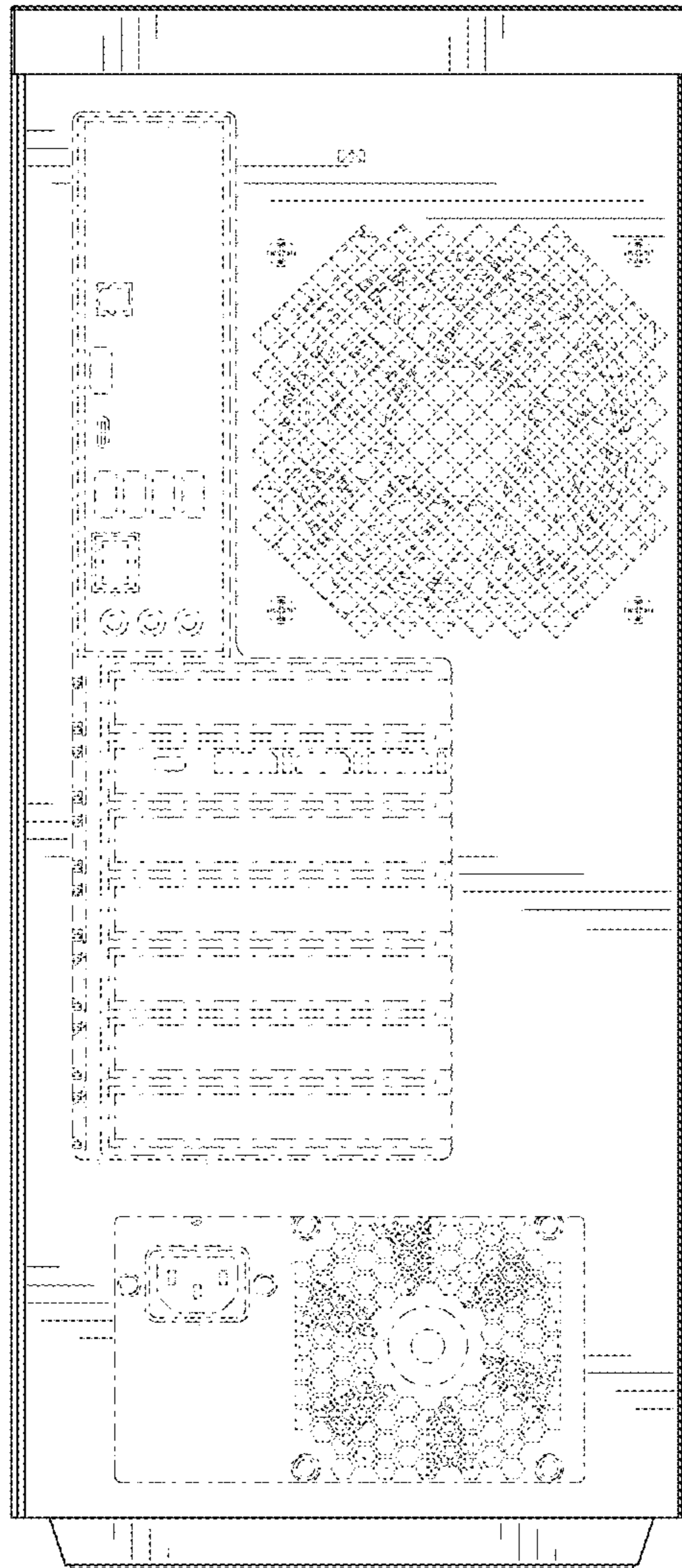


FIG. 6

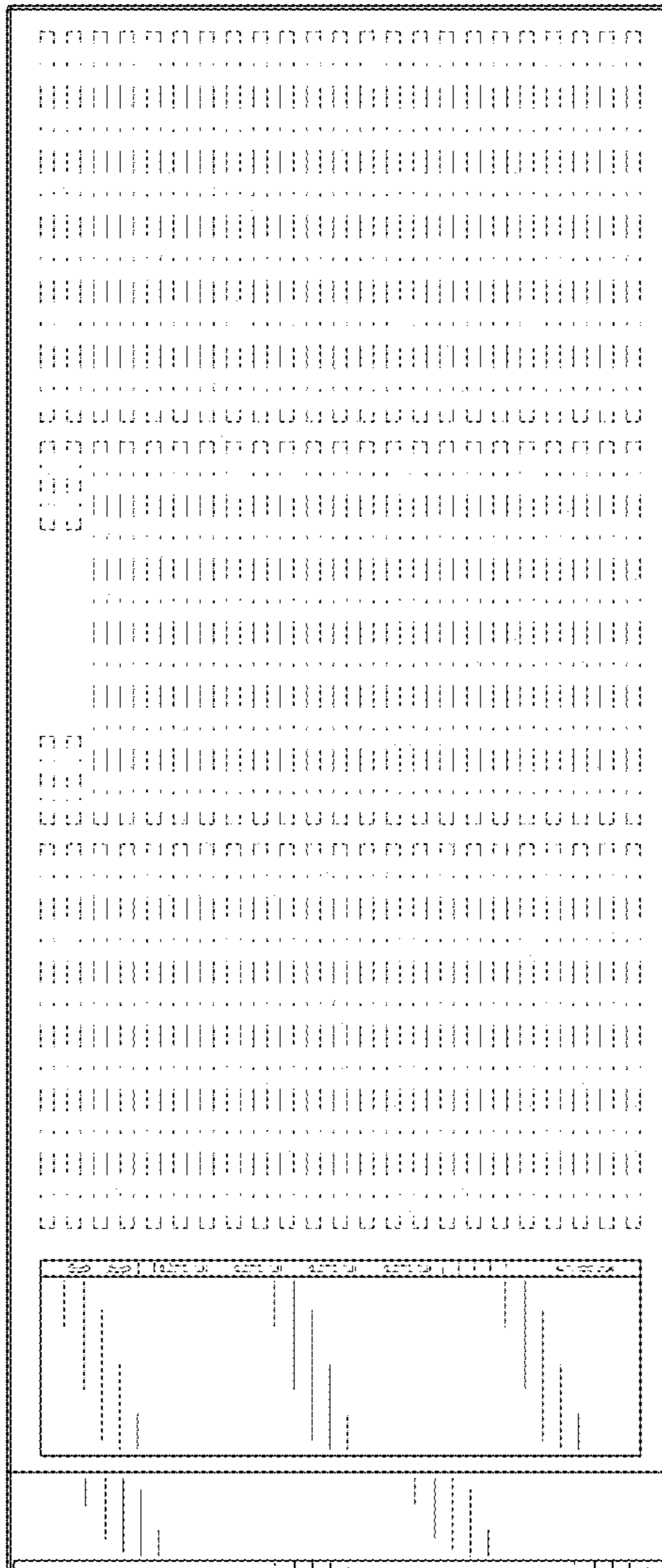


FIG. 7

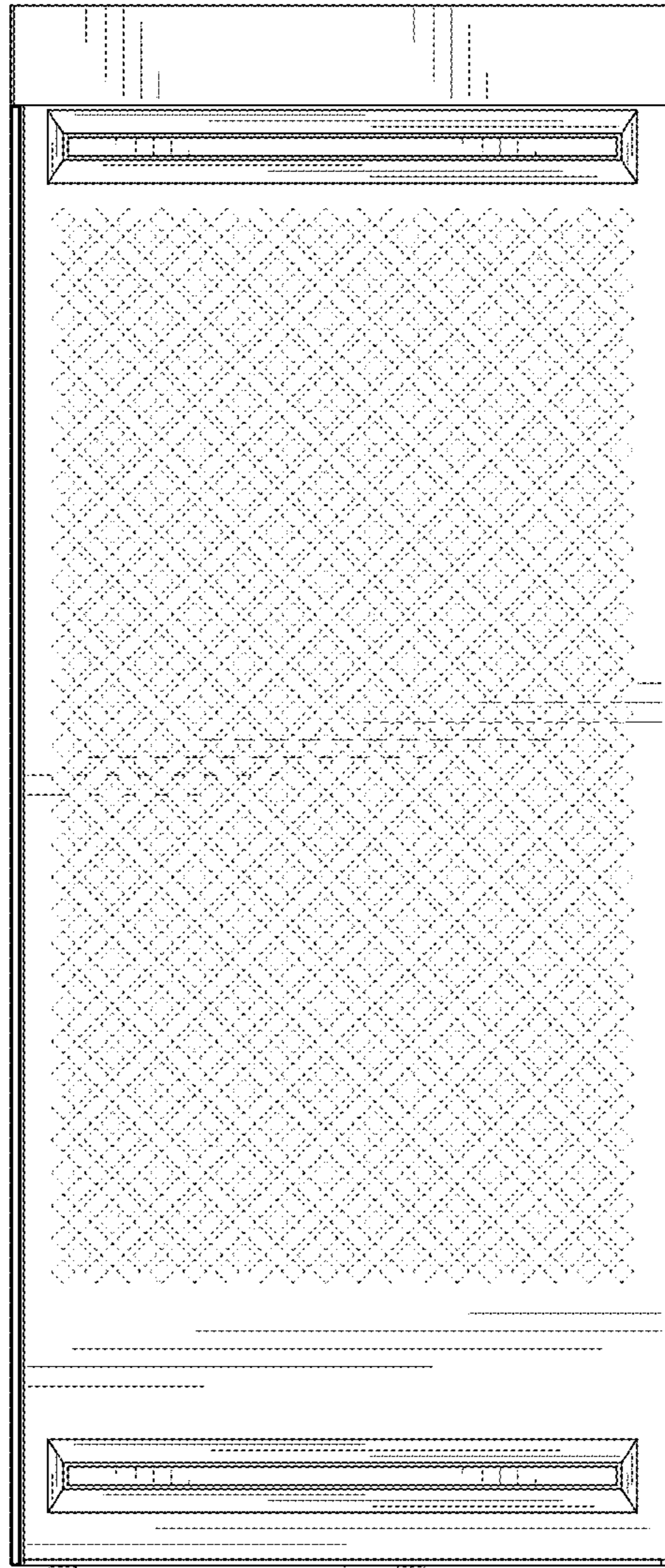


FIG. 8