



US00D944240S

(12) **United States Design Patent** (10) **Patent No.:** **US D944,240 S**
Ye (45) **Date of Patent:** **** Feb. 22, 2022**

(54) **EXTENDABLE MOBILE PHONE STAND**
(71) Applicant: **Shenzhen Chuangyao E-Commerce Co., Ltd.**, Shenzhen (CN)
(72) Inventor: **Chuangjian Ye**, Shenzhen (CN)
(**) Term: **15 Years**
(21) Appl. No.: **29/738,639**
(22) Filed: **Jun. 18, 2020**
(51) **LOC (13) Cl.** **14-99**
(52) **U.S. Cl.**
USPC **D14/253**
(58) **Field of Classification Search**
USPC D14/251–253, 224, 224.1, 432–434, 447, D14/451, 452; D12/415, 426.1, 114, 223; D16/242, 244, 245; D10/74; D3/218; D13/108
CPC B60R 11/00; B60R 11/02; B60R 11/0241; B60R 11/0252; B60R 2011/0003; B60R 2011/0005; B60R 2011/0008; H04M 1/04; H04B 1/3877; A45F 2200/0516; A45F 2200/0525; H05K 5/02; H05K 5/0204; H05K 7/00; F16M 13/02; F16M 13/022; F16M 11/00; F16M 11/04; F16M 11/041; F16M 11/06
See application file for complete search history.

D902,218 S * 11/2020 Lee D14/451
D903,689 S * 12/2020 Zheng D14/447
D904,387 S * 12/2020 Zhang D14/253
D905,686 S * 12/2020 Zhang D14/253
D915,359 S * 4/2021 Zhang D14/224
D916,686 S * 4/2021 Xie D14/224
D920,981 S * 6/2021 Zhang D14/434
D922,361 S * 6/2021 Jin D14/224
D930,641 S * 9/2021 Zhou D14/253
D931,848 S * 9/2021 Liu D14/253
D934,234 S * 10/2021 Deng D14/253
D936,662 S * 11/2021 Gao D14/447
2013/0048802 A1* 2/2013 Guran F16M 13/00
248/122.1
2013/0342087 A1* 12/2013 Guran F16M 11/00
312/7.2

FOREIGN PATENT DOCUMENTS

CN 305211076 * 6/2019
CN 305240863 * 7/2019
GB 6103005 * 10/2020

* cited by examiner

Primary Examiner — Rebekah A Caruso

(57) **CLAIM**

The ornamental design for an extendable mobile phone stand, as shown and described.

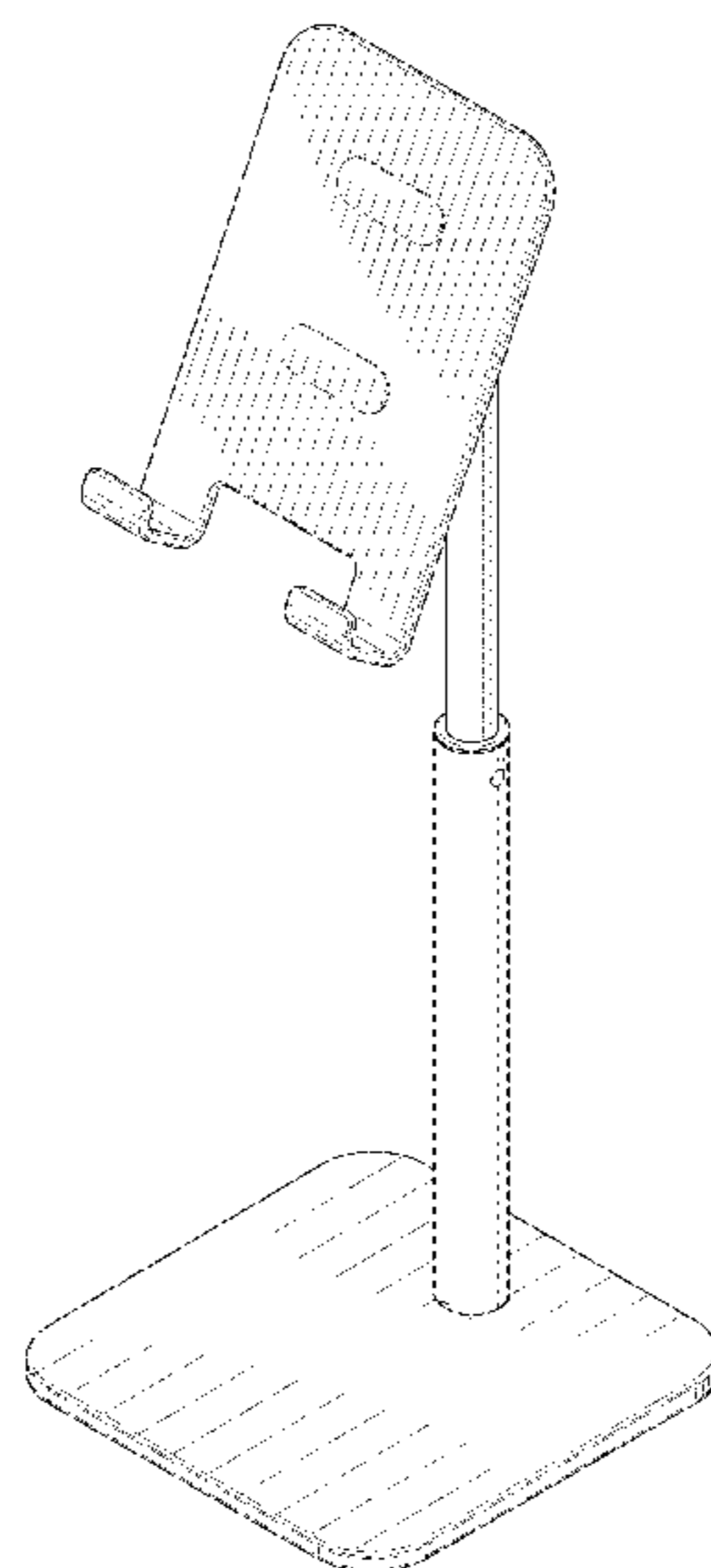
DESCRIPTION

FIG. 1 is a perspective view of an extendable mobile phone stand, showing the new design;
FIG. 2 is a front view thereof;
FIG. 3 is a rear view thereof;
FIG. 4 is a left-side view thereof;
FIG. 5 is a right-side view thereof;
FIG. 6 is a bottom view thereof; and,
FIG. 7 is a top view thereof.
The broken lines depict portions of the extendable mobile phone stand that form no part of the claimed design.

1 Claim, 6 Drawing Sheets

(56) **References Cited**
U.S. PATENT DOCUMENTS

D625,302 S * 10/2010 Kasuga D14/239
D723,011 S * 2/2015 Symons D14/224
D724,072 S * 3/2015 Jiang D14/253
D795,266 S * 8/2017 Williams D14/447
D847,141 S * 4/2019 Williams D14/447
D865,747 S * 11/2019 Sage D14/253
D881,201 S * 4/2020 Lou D14/447
D884,711 S * 5/2020 Zhang D14/447
D898,017 S * 10/2020 Zhang D14/253
D902,217 S * 11/2020 Zhang D14/447



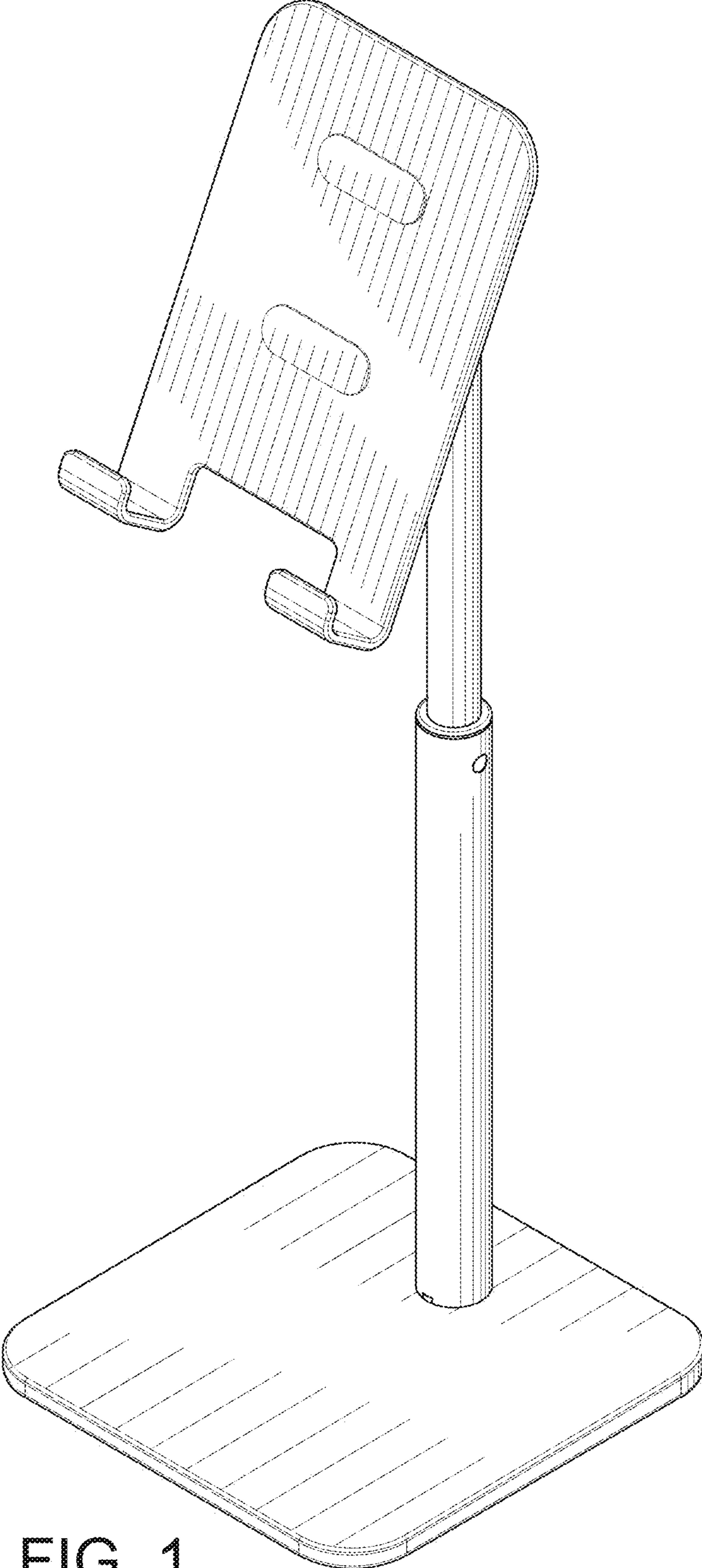


FIG. 1

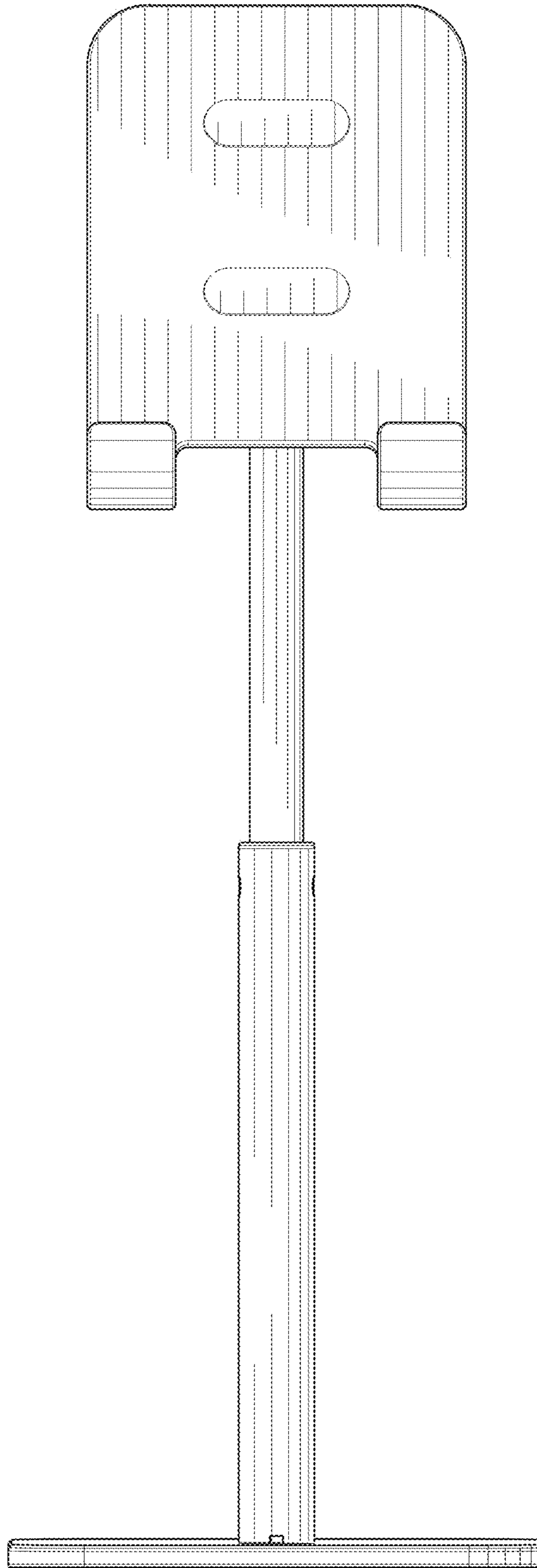


FIG. 2

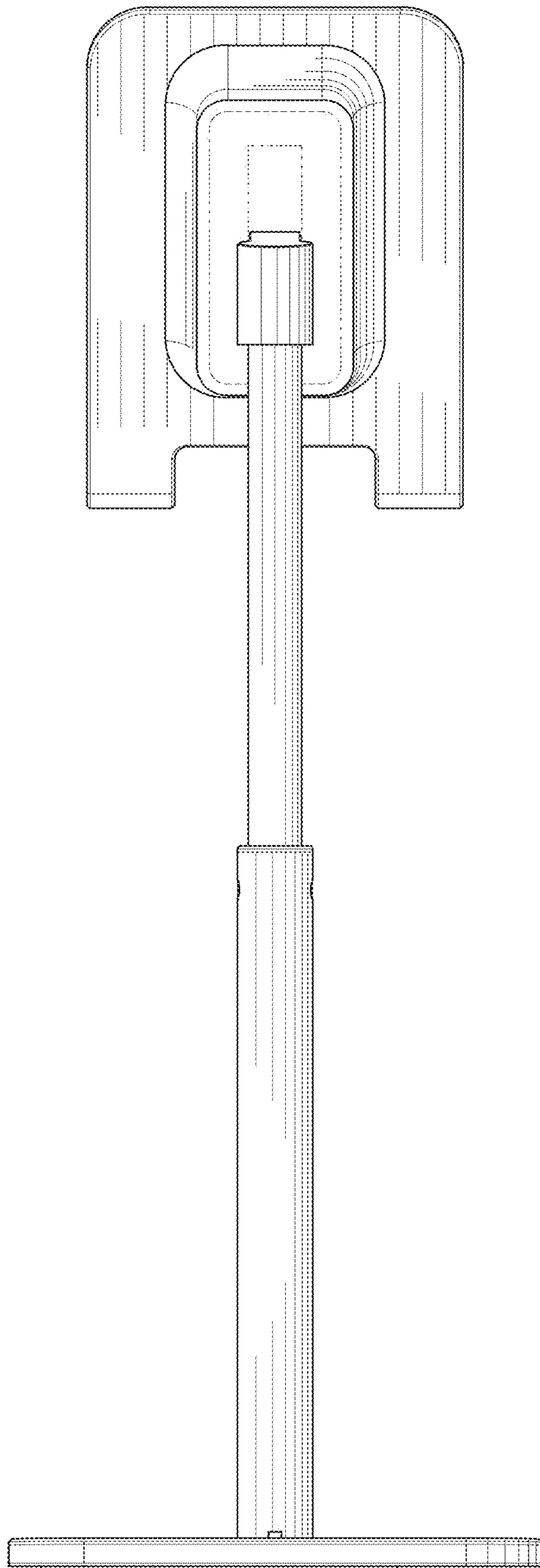


FIG. 3

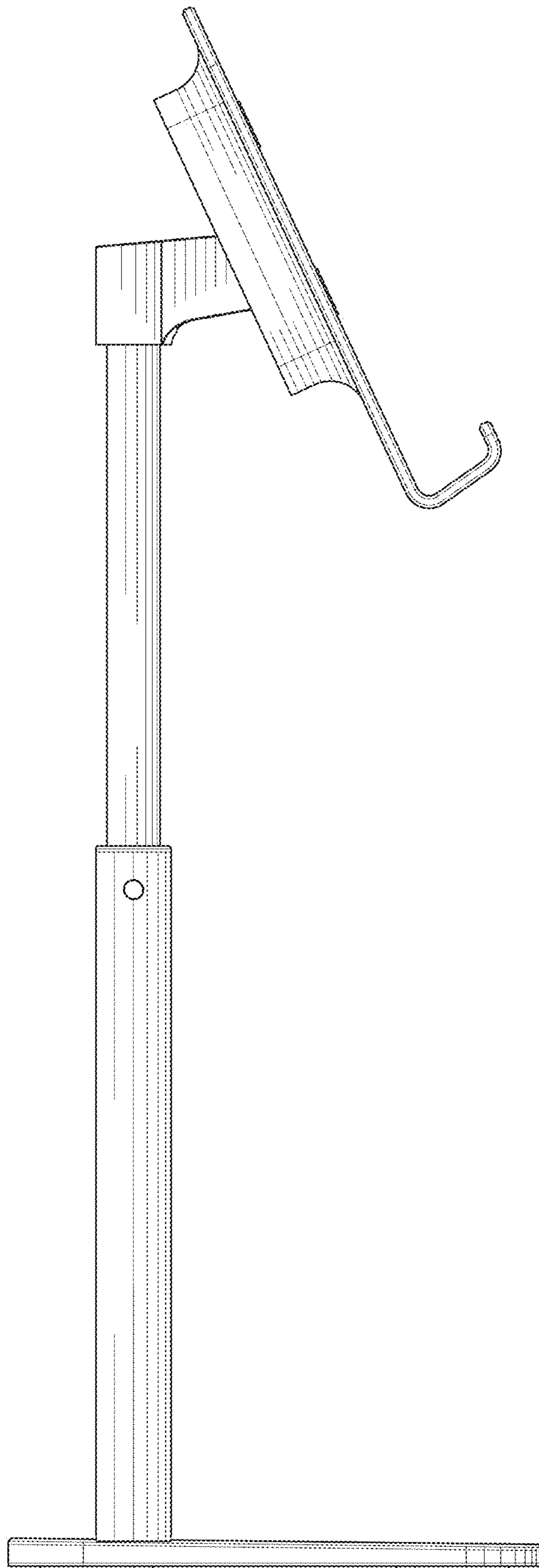


FIG. 4

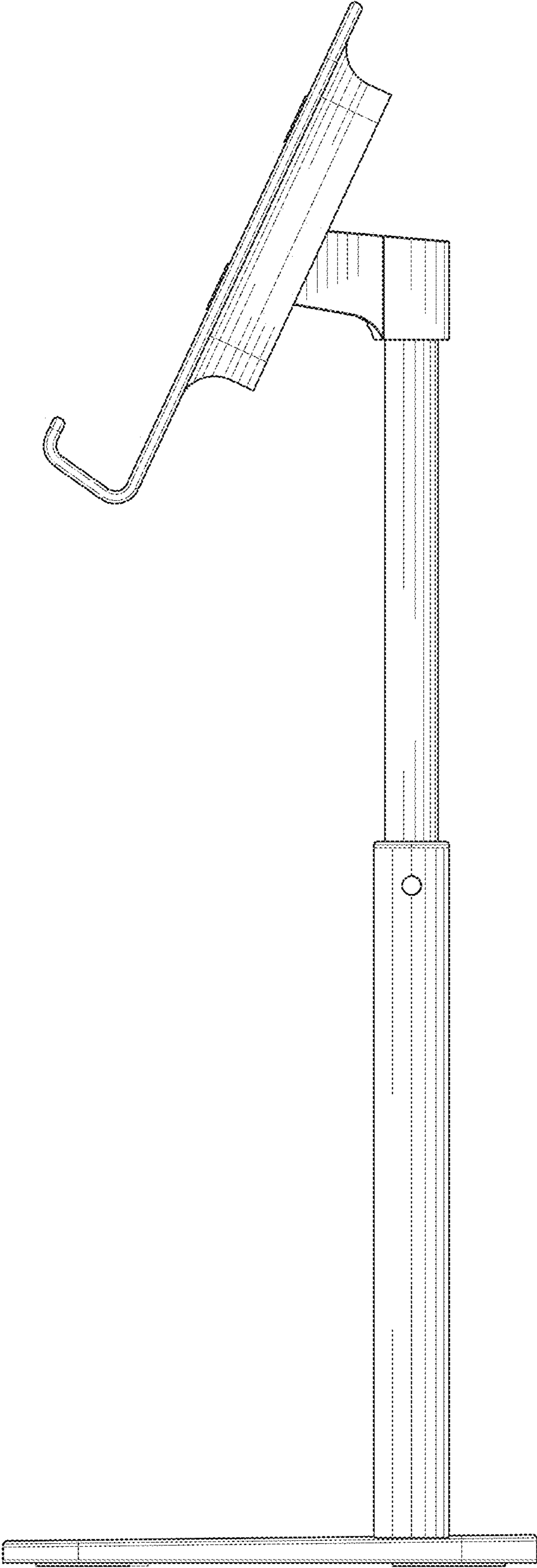


FIG. 5

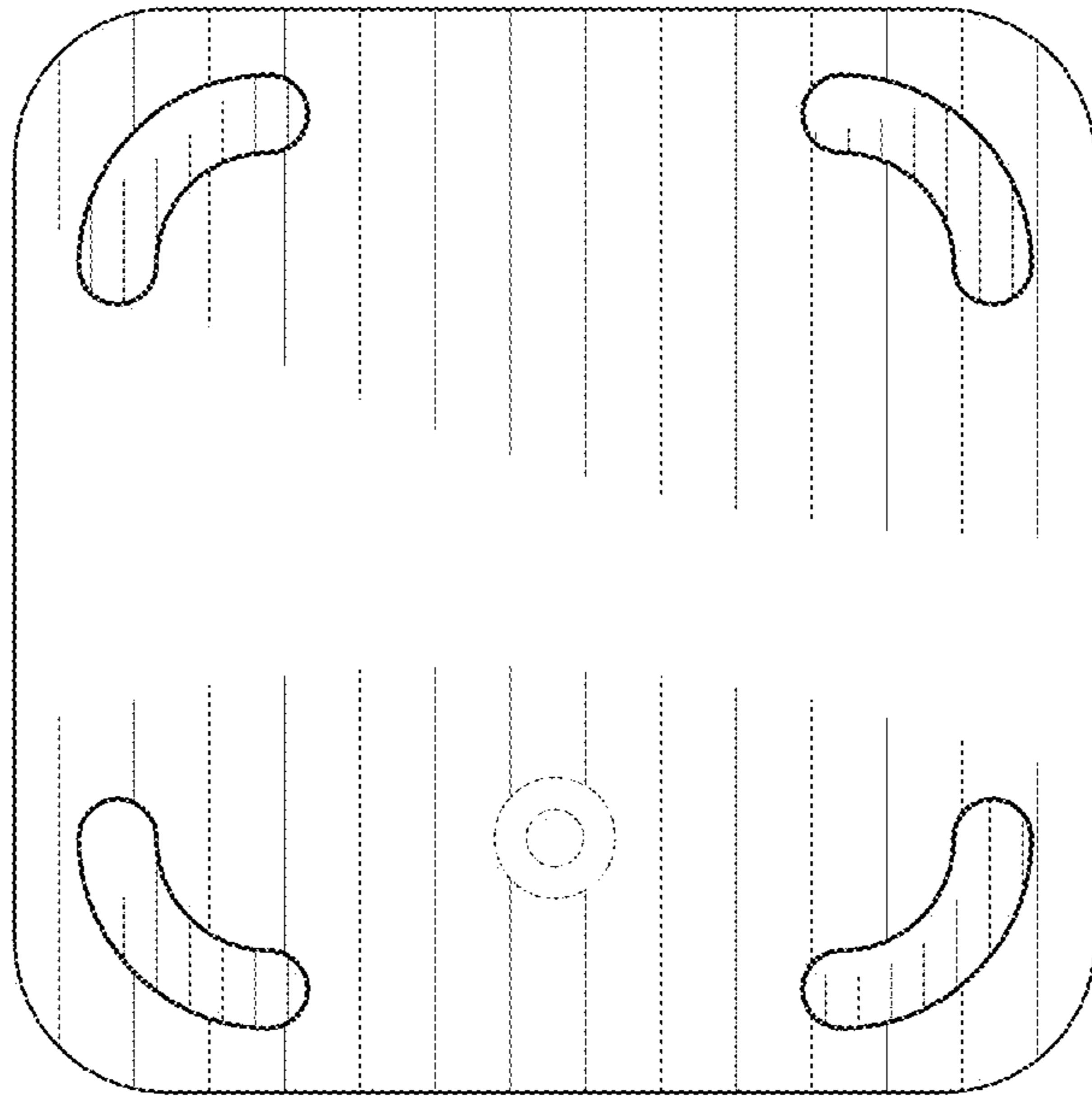


FIG. 6

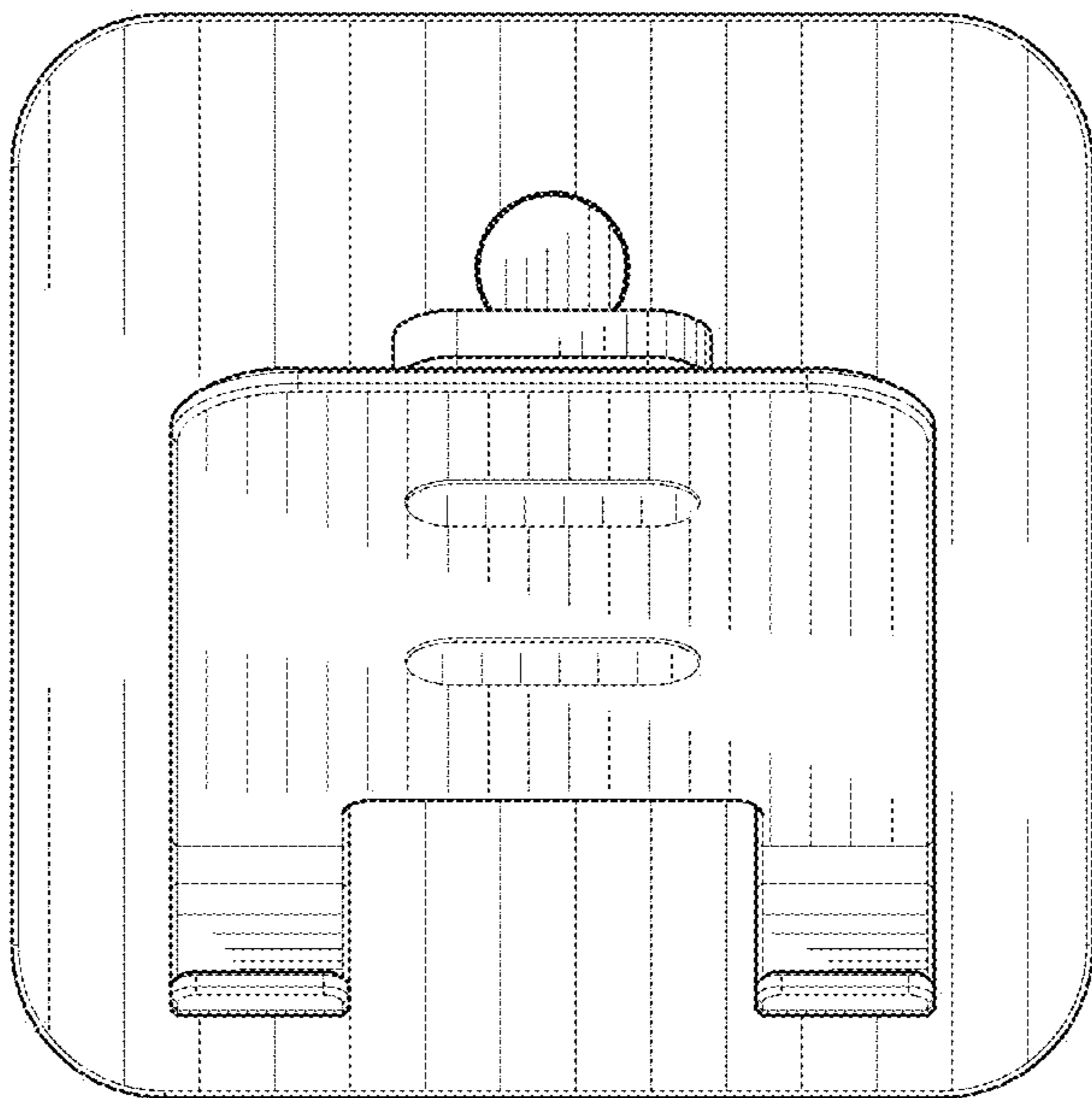


FIG. 7