



US00D944239S

(12) **United States Design Patent** (10) **Patent No.:** **US D944,239 S**
Li (45) **Date of Patent:** **** Feb. 22, 2022**

(54) **PHONE BRACKET**

(56) **References Cited**

(71) Applicant: **Shenzhen Qianhai Weizhisheng Network Technology Co., Ltd.**, Shenzhen (CN)

(72) Inventor: **Yaoqin Li**, Maoming (CN)

(73) Assignee: **SHENZHEN QIANHAI WEIZHISHENG NETWORK TECHNOLOGY CO., LTD.**, Shenzhen (CN)

(**) Term: **15 Years**

(21) Appl. No.: **29/731,082**

(22) Filed: **Apr. 11, 2020**

(30) **Foreign Application Priority Data**

Mar. 17, 2020 (EM) 007758180-0001

(51) **LOC (13) Cl.** **14-99**

(52) **U.S. Cl.**
USPC **D14/253; D12/415**

(58) **Field of Classification Search**
USPC D14/251-253, 224, 224.1, 432-434, 447, D14/451, 452; D12/415, 426.1, 114, 223; D16/242, 244, 245; D10/74; D3/218; D13/108

CPC B60R 11/00; B60R 11/02; B60R 11/0241; B60R 11/0252; B60R 2011/0003; B60R 2011/0005; B60R 2011/0008; H04M 1/04; H04B 1/3877; A45F 2200/0516; A45F 2200/0525; H05K 5/02; H05K 5/0204; H05K 7/00; F16M 13/02; F16M 13/022; F16M 11/00; F16M 11/04; F16M 11/041; F16M 11/06

See application file for complete search history.

U.S. PATENT DOCUMENTS

D718,297 S *	11/2014	Aspinall	D14/253
D732,013 S *	6/2015	Aspinall	D14/253
D732,519 S *	6/2015	Aspinall	D14/253
D784,923 S *	4/2017	Song	D13/108
D817,317 S *	5/2018	Lee	D14/253
D818,421 S *	5/2018	Hu	D12/415
D819,015 S *	5/2018	Lee	D14/253
D824,380 S *	7/2018	Lee	D14/253
D832,248 S *	10/2018	Sukphist	D14/253
D833,369 S *	11/2018	Lan	D12/415
D839,868 S *	2/2019	Lee	D14/253
D852,116 S *	6/2019	Jun	D12/415
D875,090 S *	2/2020	Leeds-Frank	D14/253
D879,090 S *	3/2020	Chung	D14/253

(Continued)

FOREIGN PATENT DOCUMENTS

CN	305037336	*	2/2019
JP	D1637104	*	7/2019

(Continued)

Primary Examiner — Rebekah A Caruso

(74) *Attorney, Agent, or Firm* — Matthias Scholl P.C.; Matthias Scholl

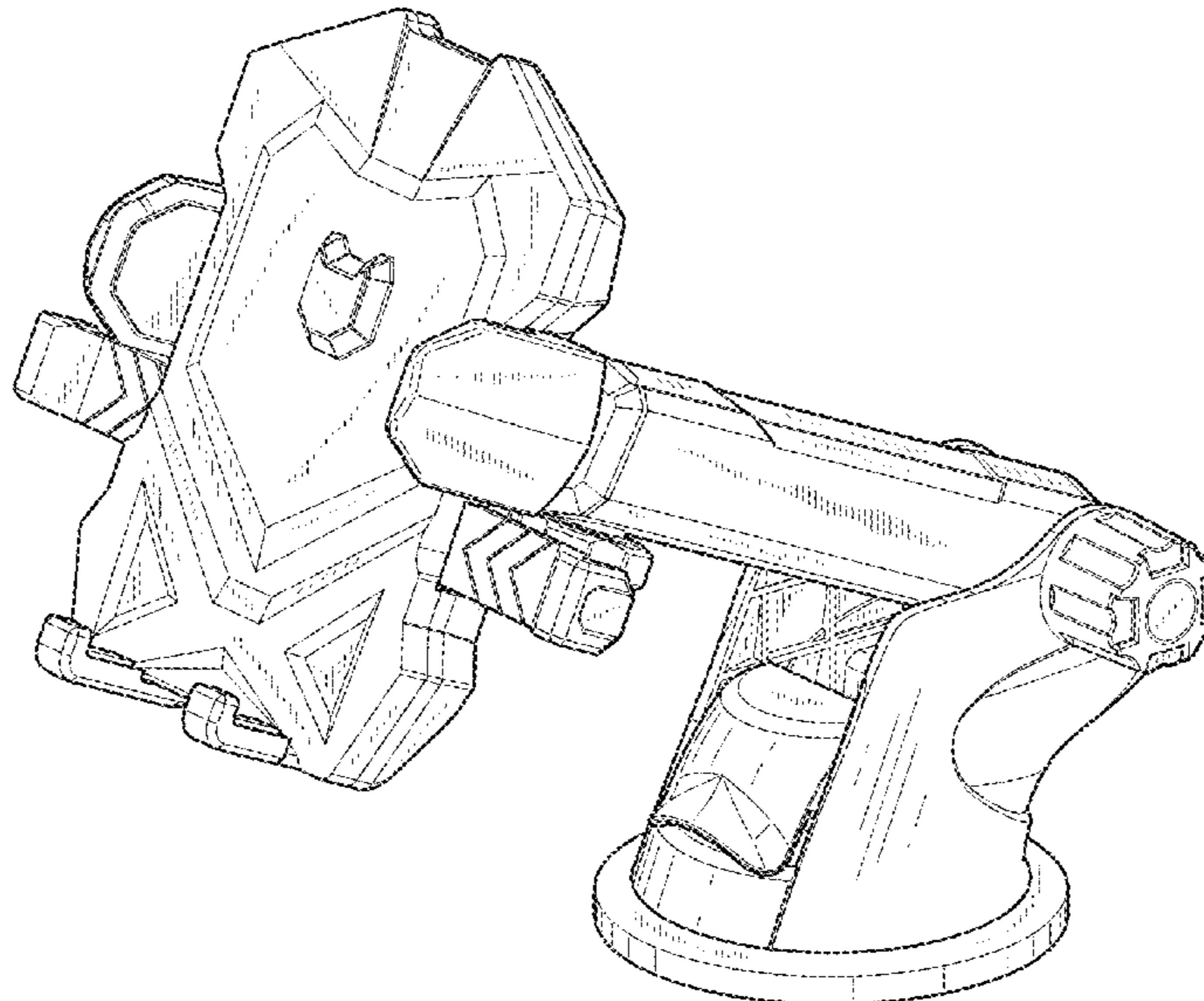
(57) **CLAIM**

The ornamental design for a phone bracket, as shown and described.

DESCRIPTION

FIG. 1 is a front elevation view of a phone bracket; FIG. 2 is a rear elevation view thereof; FIG. 3 is a left-side elevation view thereof; FIG. 4 is a right-side elevation view thereof; FIG. 5 is a top plan view thereof; FIG. 6 is a bottom plan view thereof; and, FIG. 7 is a perspective view thereof. The broken lines in the drawings depict portions of the phone bracket that form no part of the claimed design.

1 Claim, 7 Drawing Sheets



(56)

References Cited

U.S. PATENT DOCUMENTS

D879,766 S * 3/2020 Fan D14/253
D889,382 S * 7/2020 Lan D12/415
D900,087 S * 10/2020 Leeds-Frank D14/253
D929,392 S * 8/2021 Shi D14/253
2020/0103071 A1 * 4/2020 Du F16M 11/2021

FOREIGN PATENT DOCUMENTS

KR 301007720.0000 * 5/2019
KR 301007721.0000 * 5/2019

* cited by examiner

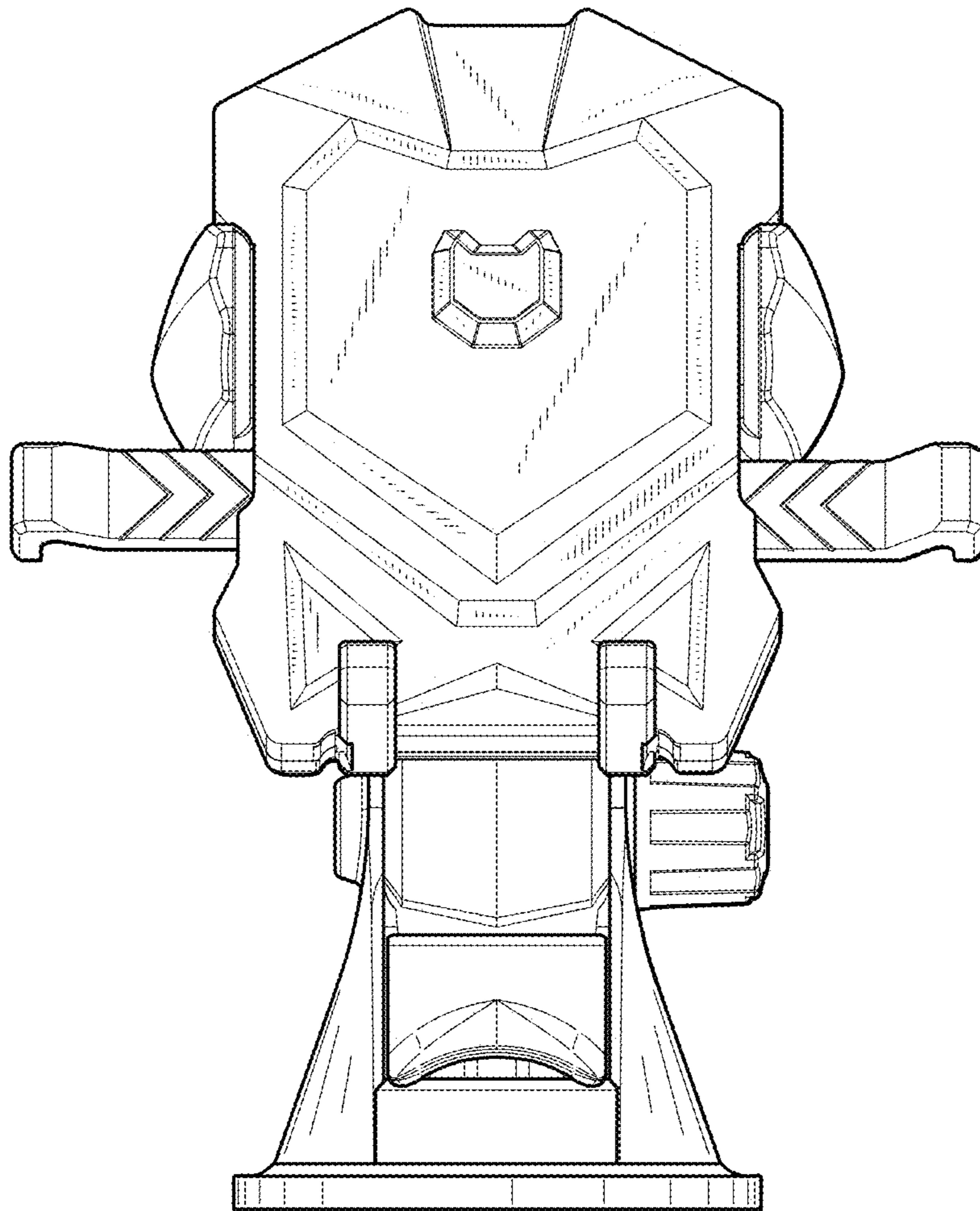


FIG. 1

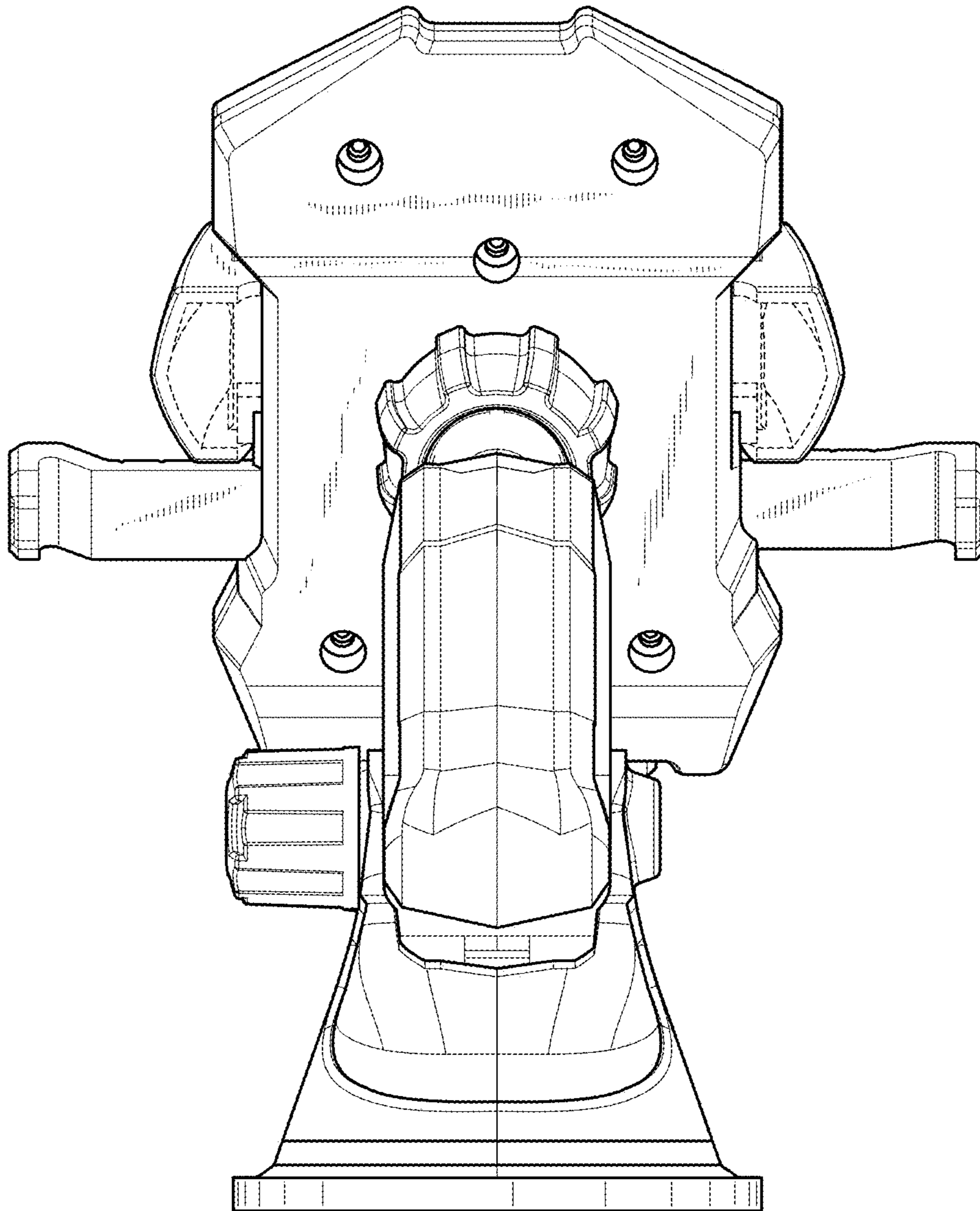


FIG. 2

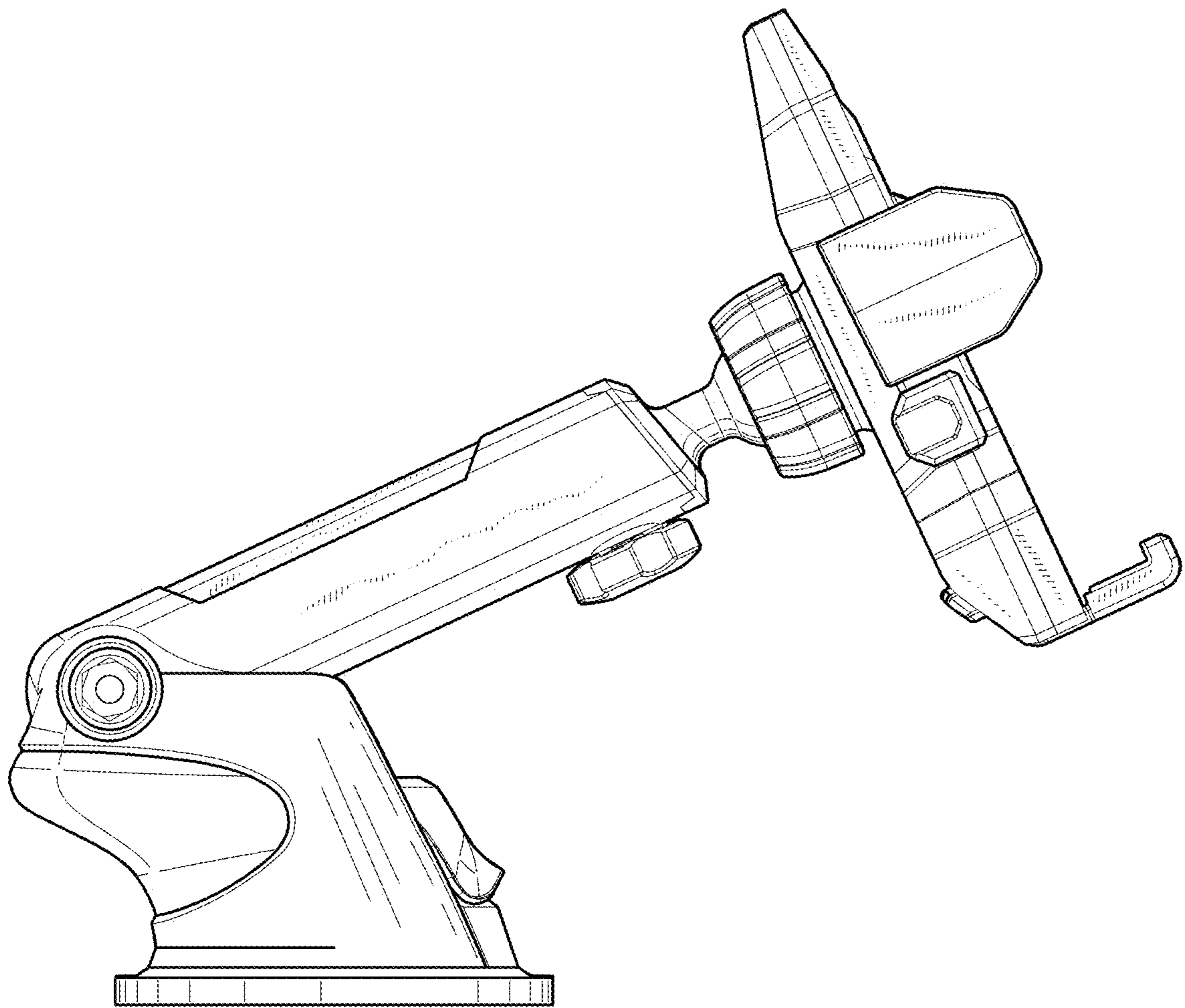


FIG. 3

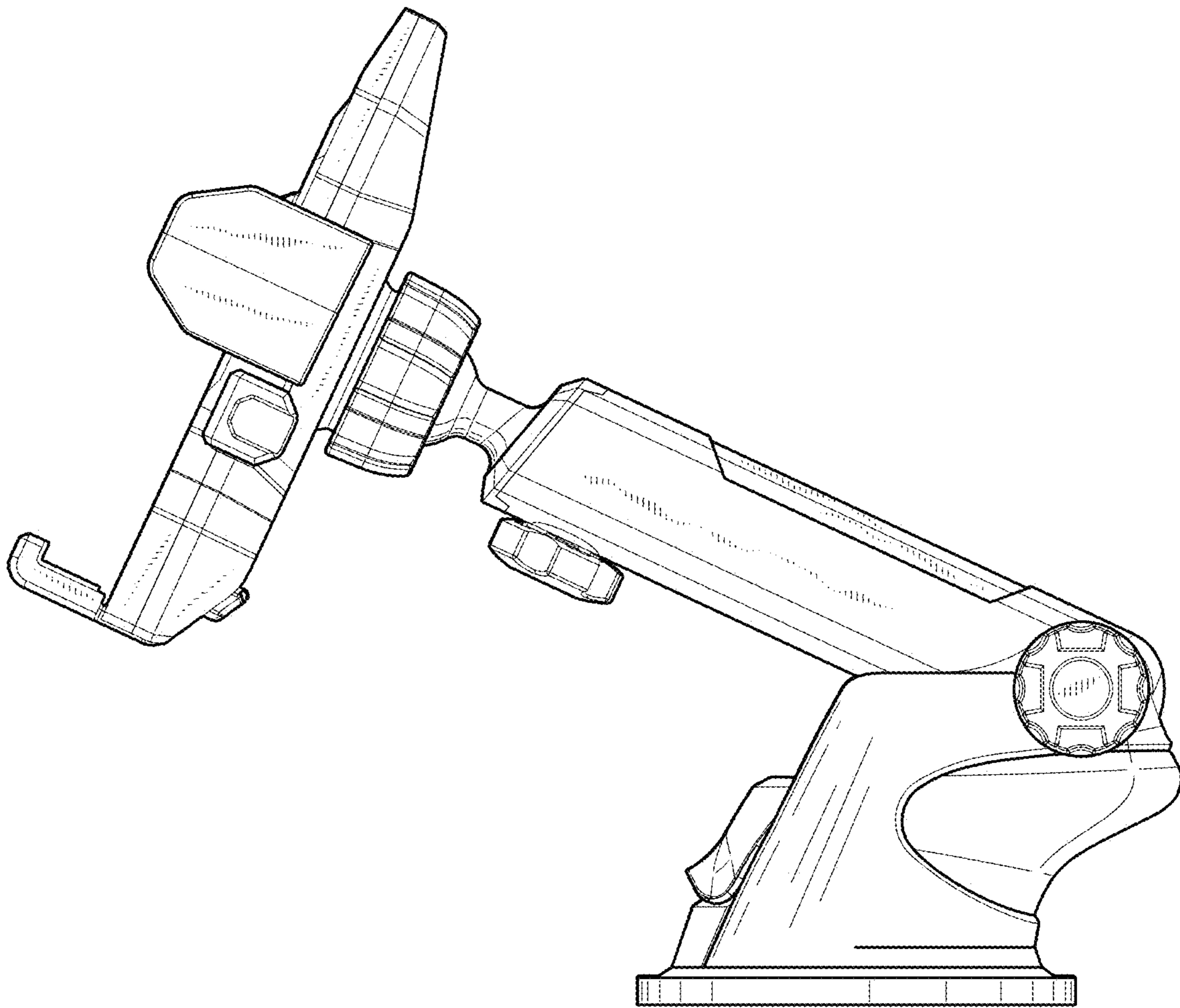


FIG. 4

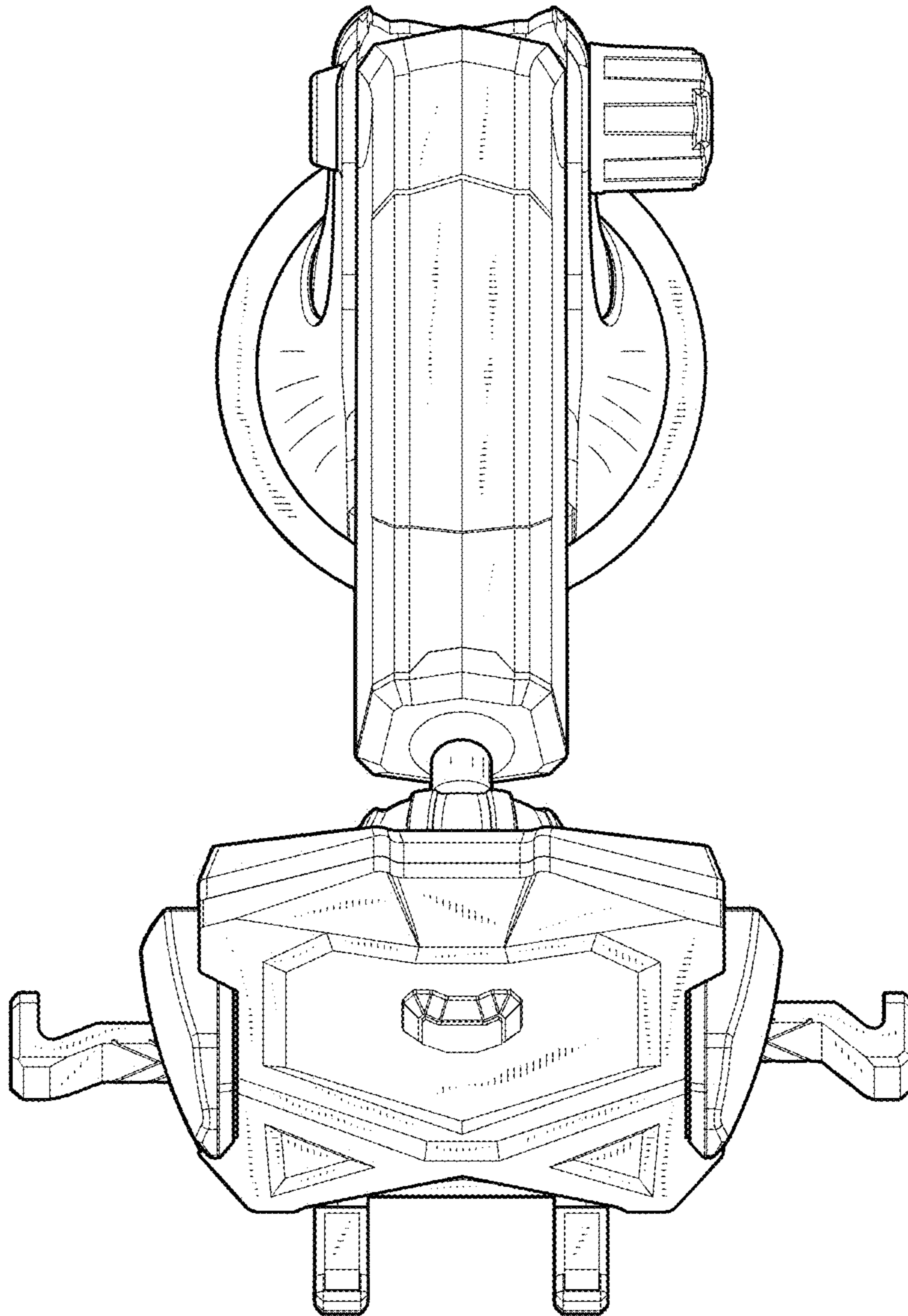


FIG. 5

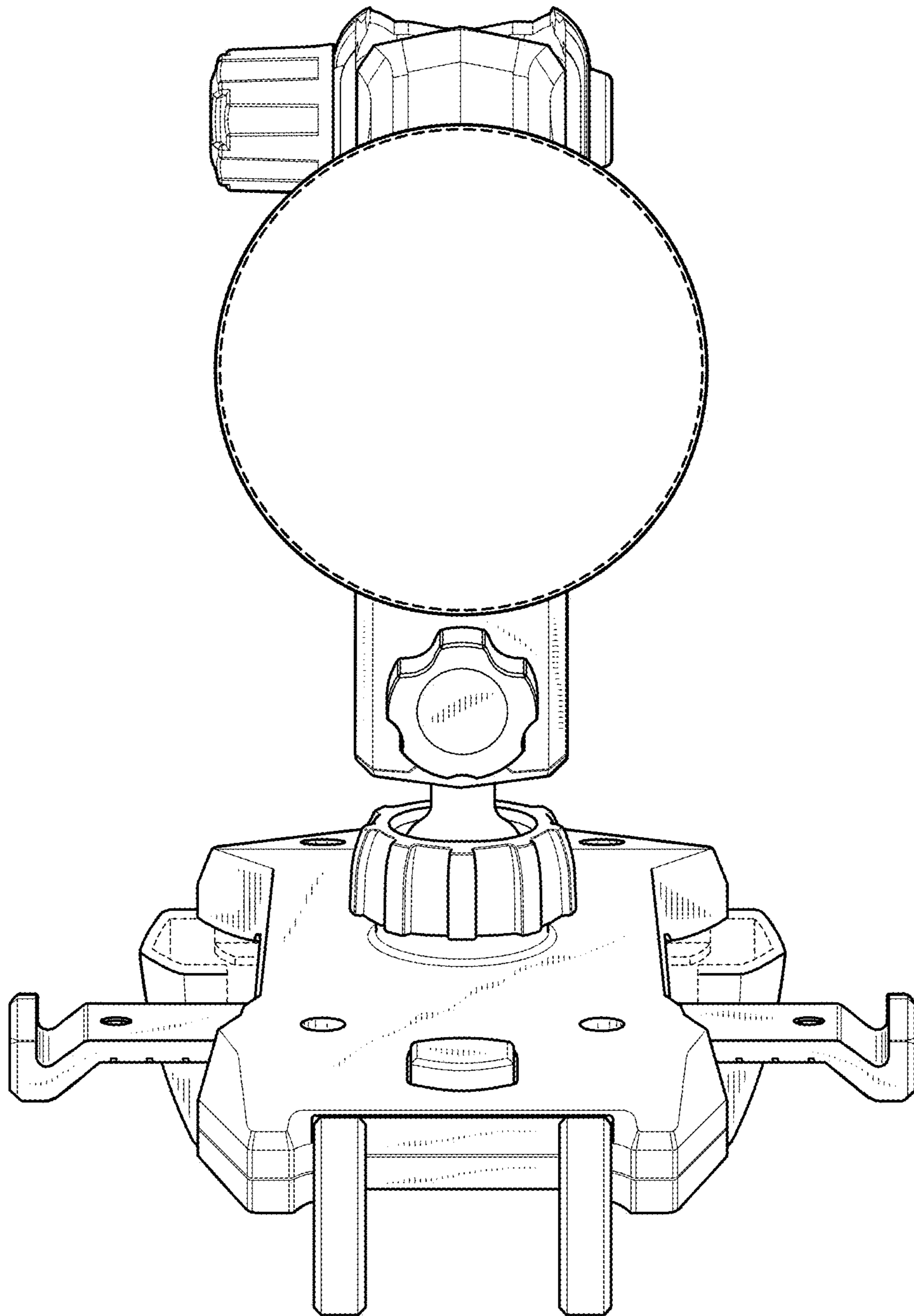


FIG. 6

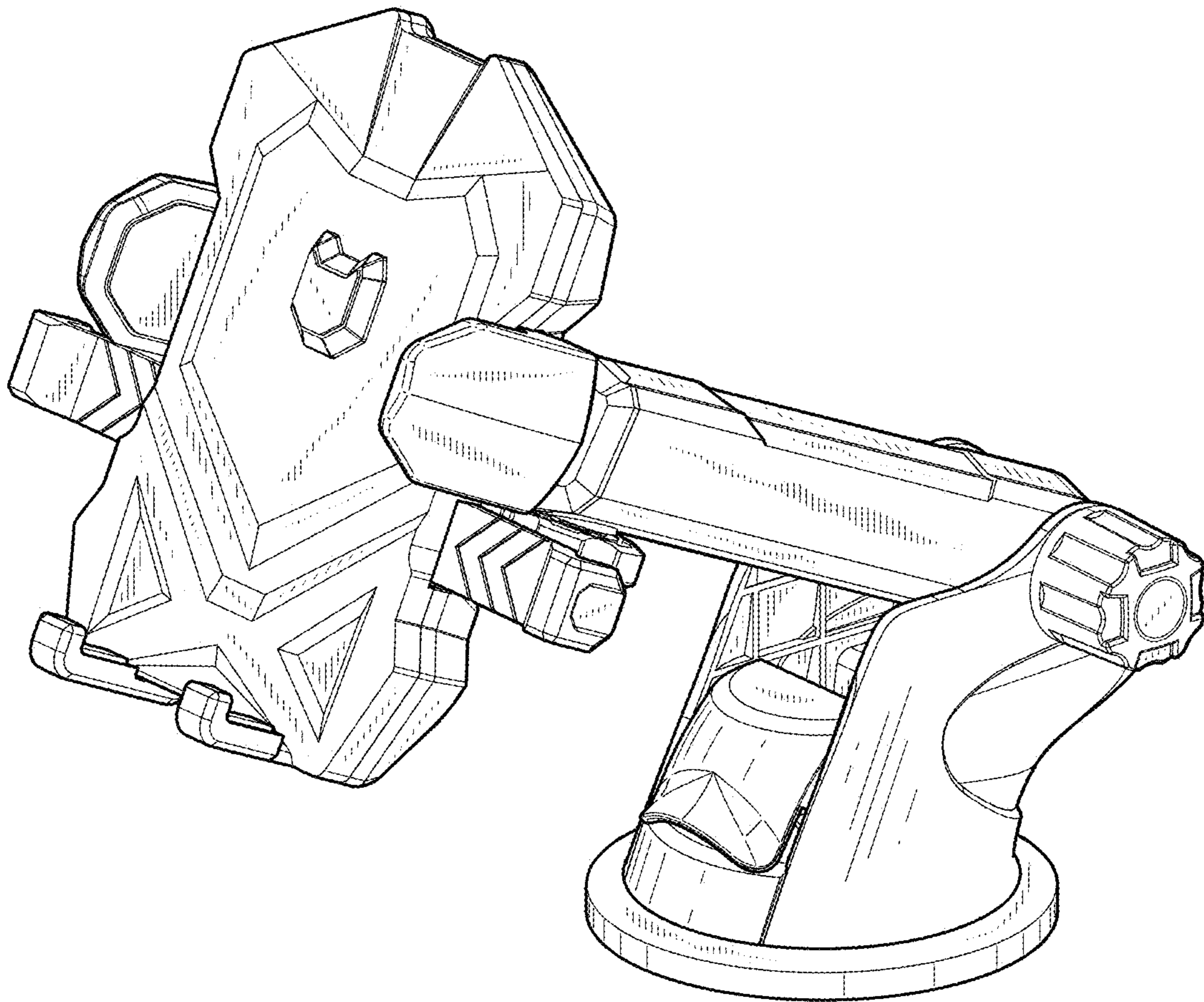


FIG. 7