



US00D944238S

(12) **United States Design Patent**
Morgan

(10) **Patent No.:** **US D944,238 S**

(45) **Date of Patent:** **** Feb. 22, 2022**

(54) **MOBILE PHONE CASE**

(71) Applicant: **Merrick Seymour Morgan**, Sarasota,
FL (US)

(72) Inventor: **Merrick Seymour Morgan**, Sarasota,
FL (US)

(**) Term: **15 Years**

(21) Appl. No.: **29/759,380**

(22) Filed: **Nov. 23, 2020**

(51) **LOC (13) Cl.** **14-03**

(52) **U.S. Cl.**
USPC **D14/250**

(58) **Field of Classification Search**
USPC D14/203.3–203.7, 439, 251–253, 447,
D14/217, 240, 238.1, 440, 248, 250;
D13/103, 107–108, 119; D3/201, 218,
D3/247, 249, 269, 273, 301, 303
CPC H04B 1/3888; A45C 11/00; A45C 13/02;
A45C 2011/002; A45C 1/06; H04M
1/0283; H04M 1/0202; A45F 2200/0525;
A45F 2005/026; A45F 2200/0516
See application file for complete search history.

(56) **References Cited**

U.S. PATENT DOCUMENTS

D618,230 S *	6/2010	Brown	D14/250
D663,263 S *	7/2012	Gupta	D13/103
D691,122 S	10/2013	Bau		
D721,356 S	1/2015	Hasbrook et al.		
D722,312 S	2/2015	Tages et al.		
D740,268 S *	10/2015	O'Neill	D14/250
D759,644 S *	6/2016	Penn	D14/250
D759,645 S *	6/2016	Penn	D14/250
D770,435 S *	11/2016	Daniel	D14/250
D772,855 S *	11/2016	Ju	D14/250

D807,870 S *	1/2018	Lee	D14/250
D813,220 S *	3/2018	Wright	D14/250
D816,073 S *	4/2018	Kim	D14/250
D816,149 S *	4/2018	Dalton	D16/237
D821,379 S *	6/2018	Cramer	D14/250
10,015,296 B1 *	7/2018	Haymond	H04M 1/0252
D837,776 S *	1/2019	Chung	D14/250
D851,077 S *	6/2019	Lim	D14/250
D851,921 S *	6/2019	Goetz	D3/218
D853,371 S *	7/2019	Wei	D14/250
D873,833 S *	1/2020	Leimer	D14/440
D875,089 S *	2/2020	Hemesath	D14/250
D891,417 S *	7/2020	Pasternak	D14/250
D893,467 S *	8/2020	Kim	D14/250

(Continued)

Primary Examiner — Carla J Wright

(74) *Attorney, Agent, or Firm* — Robert J. Brown

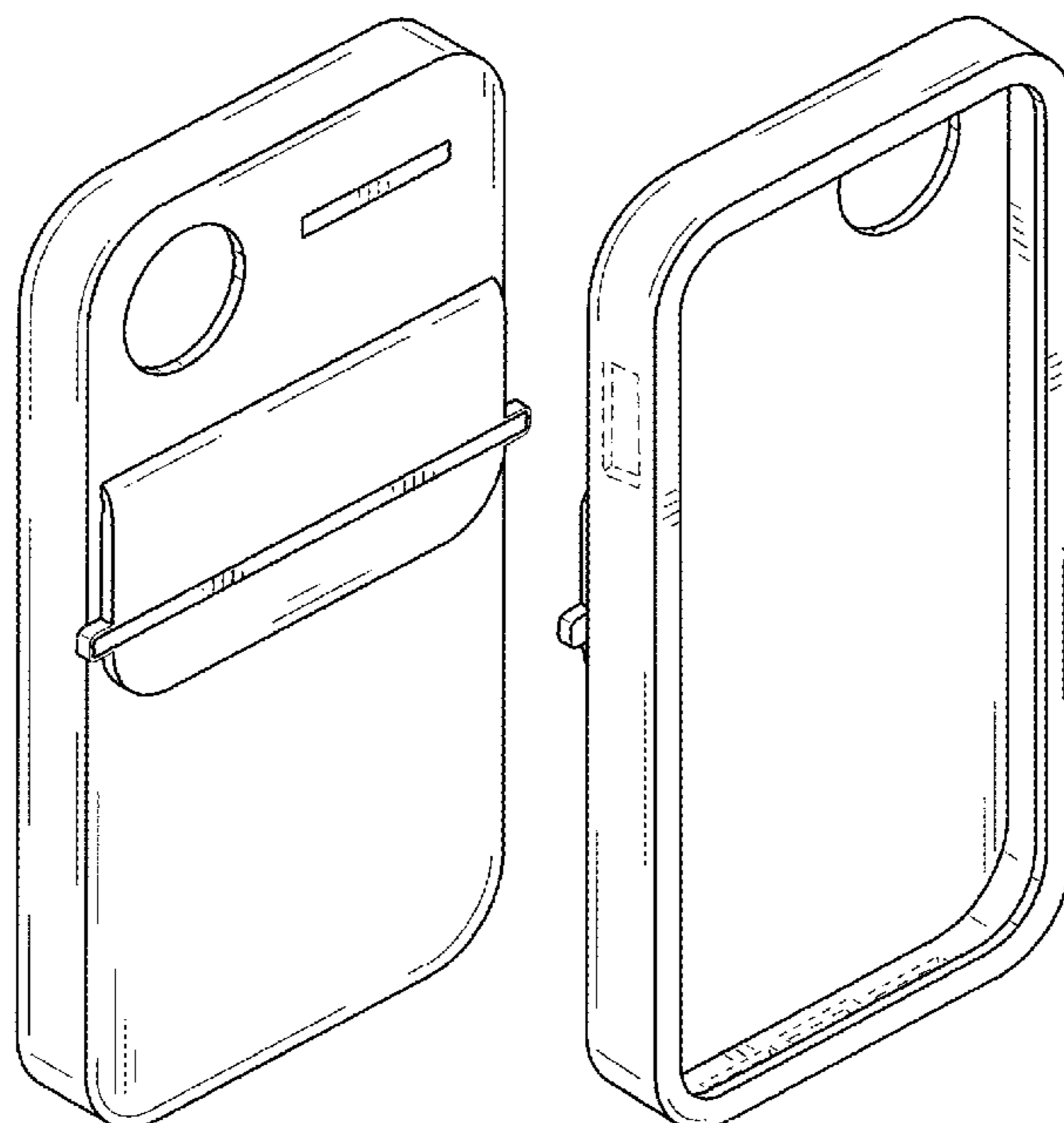
(57) **CLAIM**

The ornamental design for a mobile phone case, as shown and described.

DESCRIPTION

FIG. 1—is a front perspective view of a mobile phone case;
 FIG. 2—is a rear perspective view thereof;
 FIG. 3—is a front view thereof;
 FIG. 4—is a rear view thereof;
 FIG. 5—is a left side view thereof;
 FIG. 6—is a right side view thereof;
 FIG. 7—is a top view thereof;
 FIG. 8—is a bottom view thereof;
 FIG. 9—is a front perspective in alternate position thereof;
 FIG. 10—is a rear perspective in alternate position thereof;
 FIG. 11—is a front in alternate position
 FIG. 12—is a left side in alternate position thereof; and,
 FIG. 13—is a right side in alternate position thereof.
 The dash-dash broken lines illustrate portions of the mobile phone case which form no part of the claimed design.

1 Claim, 6 Drawing Sheets



(56)

References Cited

U.S. PATENT DOCUMENTS

D920,319 S * 5/2021 Haddock D14/250
D926,182 S * 7/2021 Miller D14/250
2014/0227026 A1* 8/2014 O'Neill G03B 17/08
403/322.4
2015/0311941 A1* 10/2015 Sorrentino H04B 1/3888
455/575.8
2018/0123631 A1* 5/2018 Hessabi H04B 1/3888

* cited by examiner

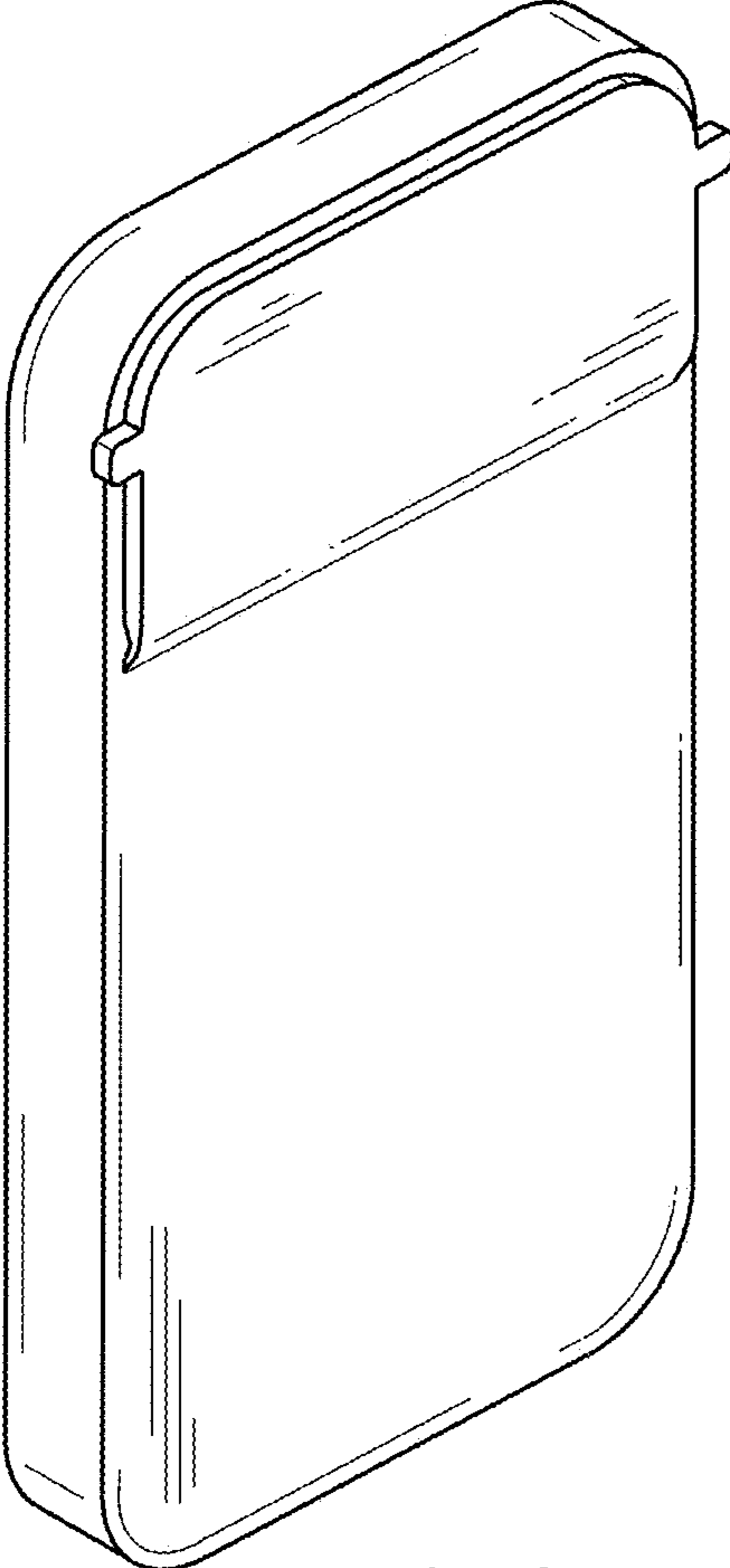


FIG. 1

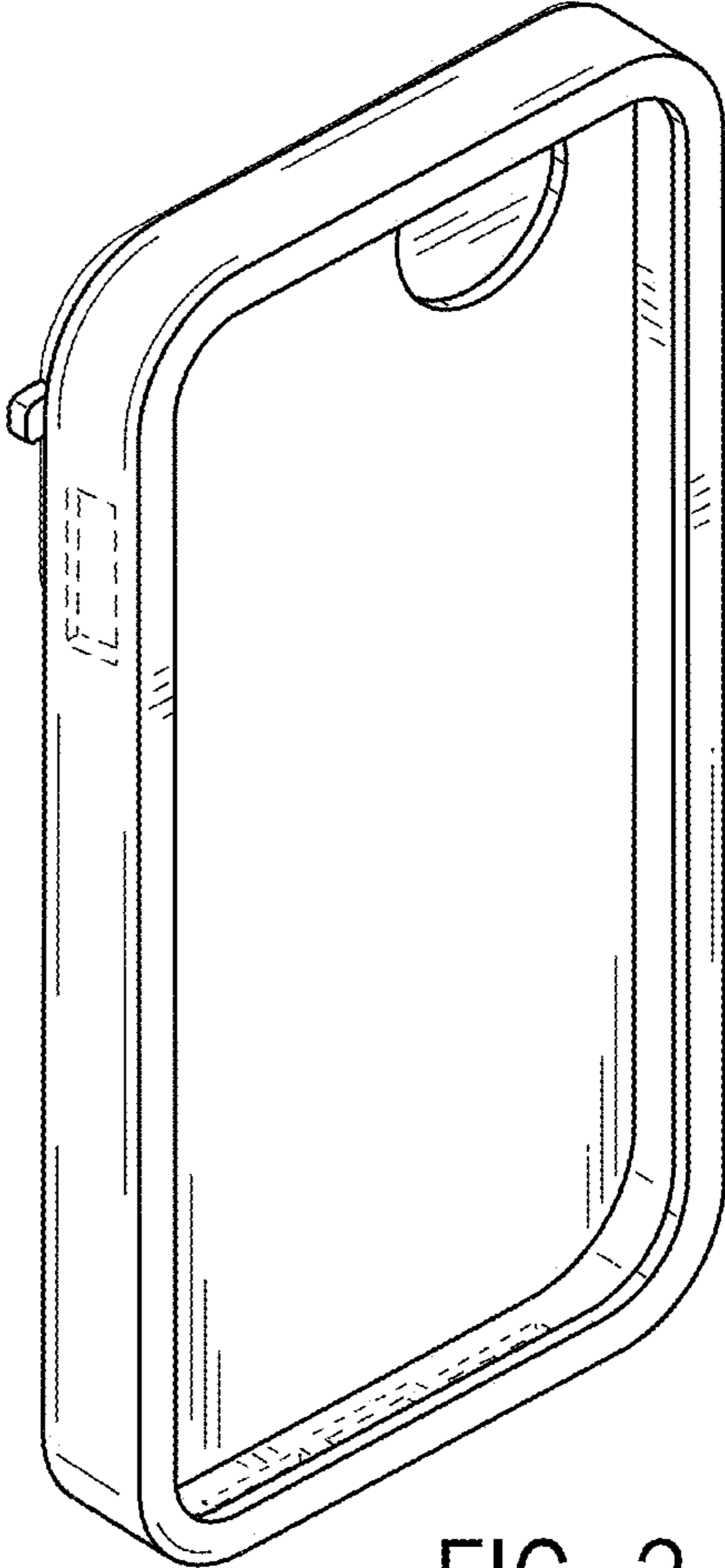


FIG. 2

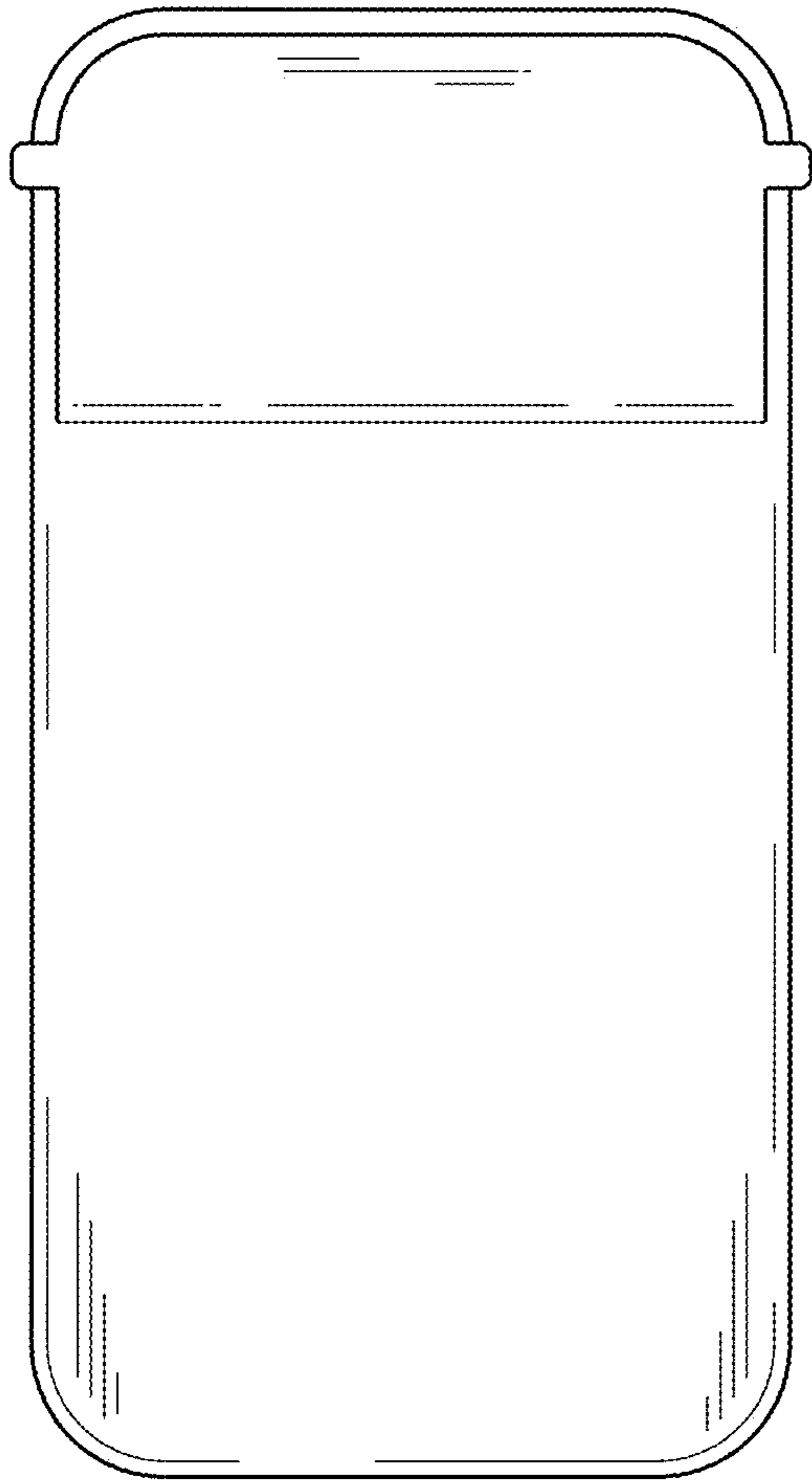


FIG. 3

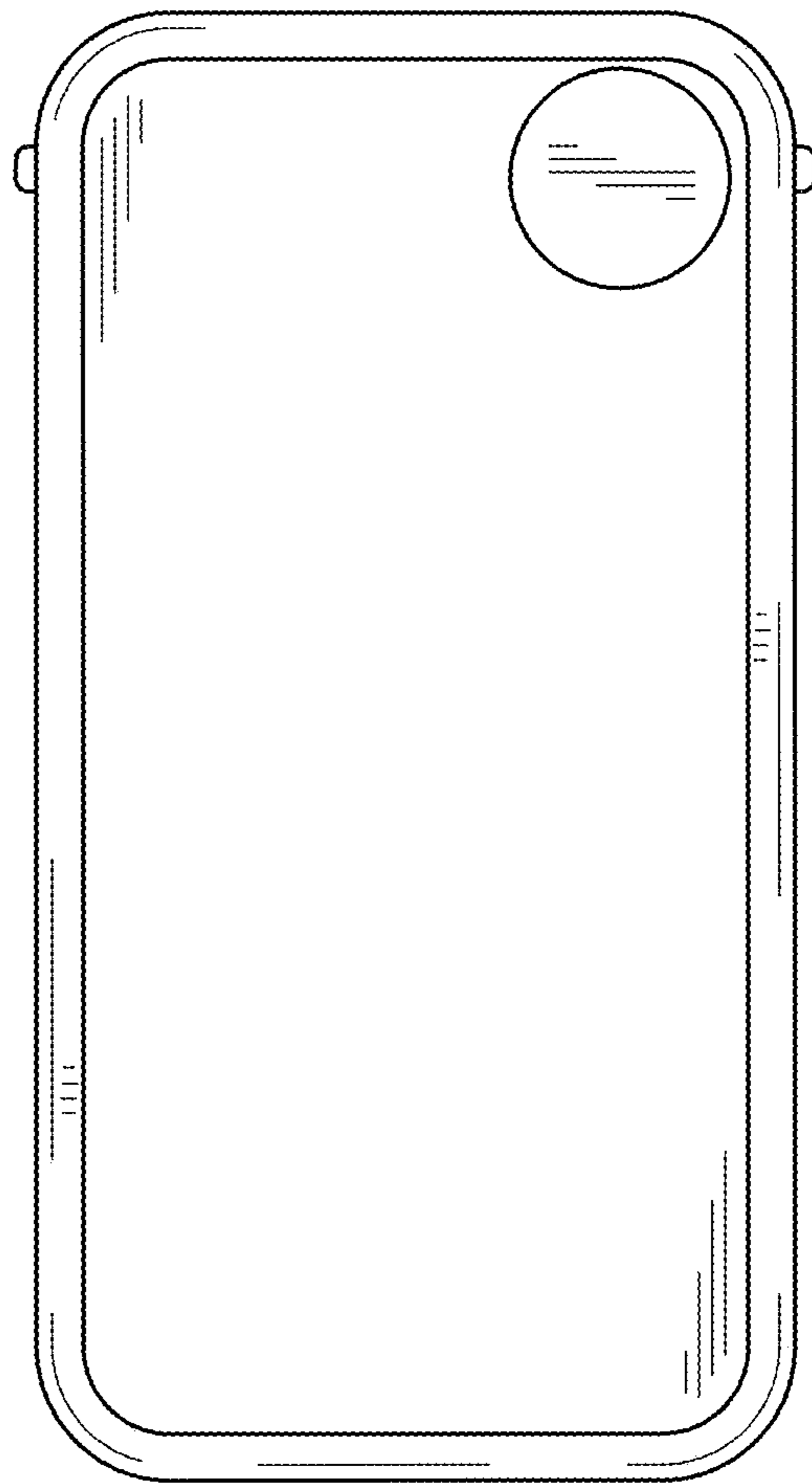


FIG. 4



FIG. 5

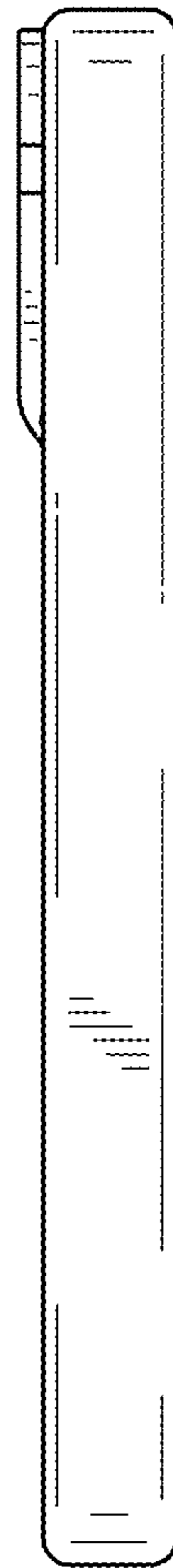


FIG. 6

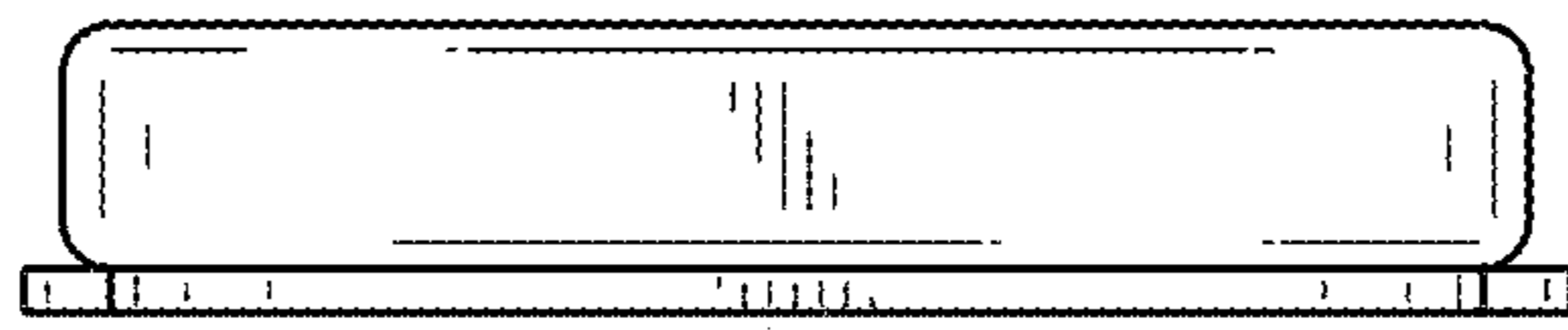


FIG. 7

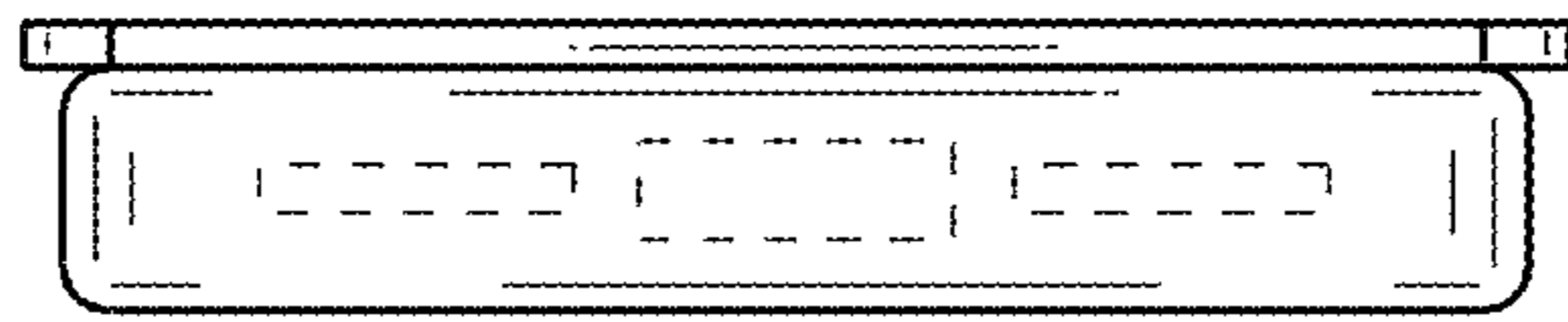


FIG. 8

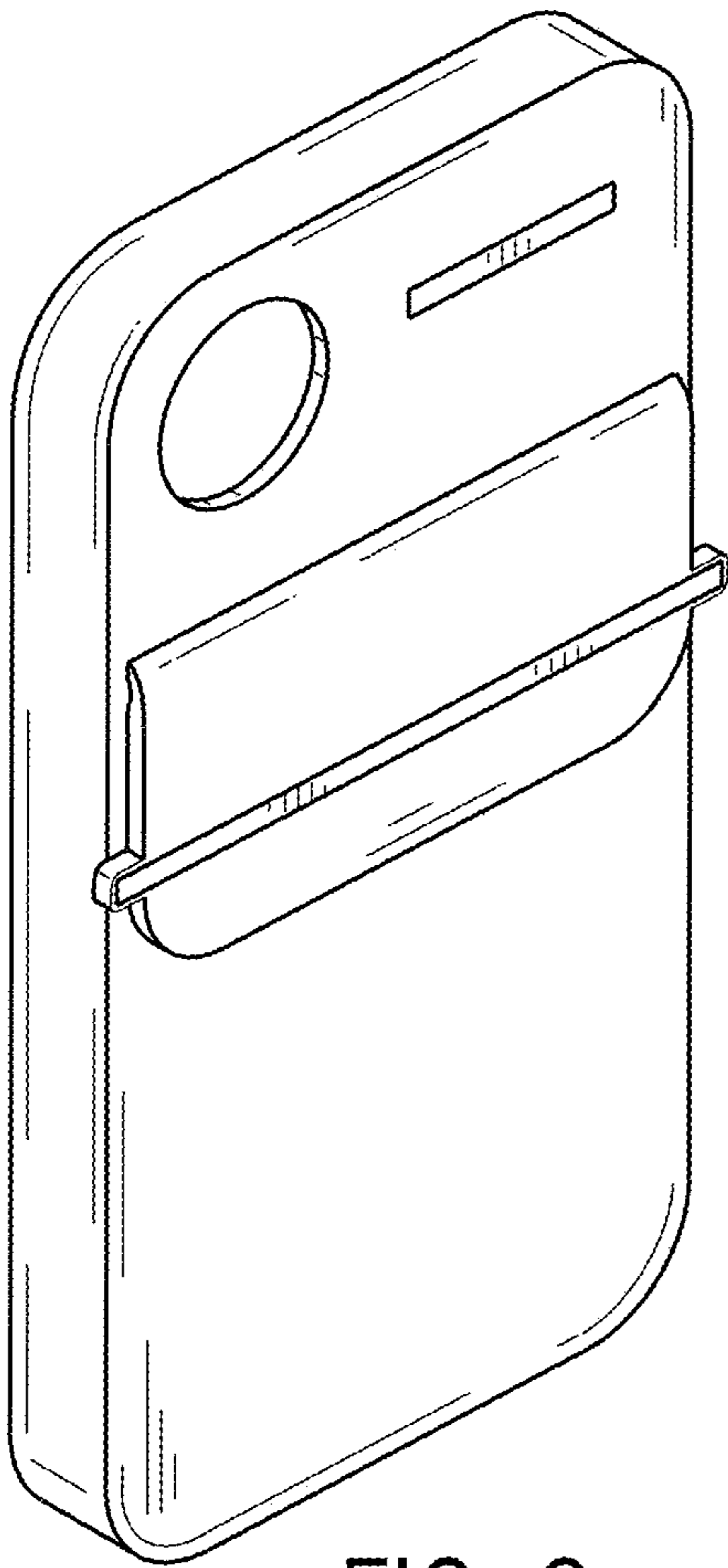


FIG. 9

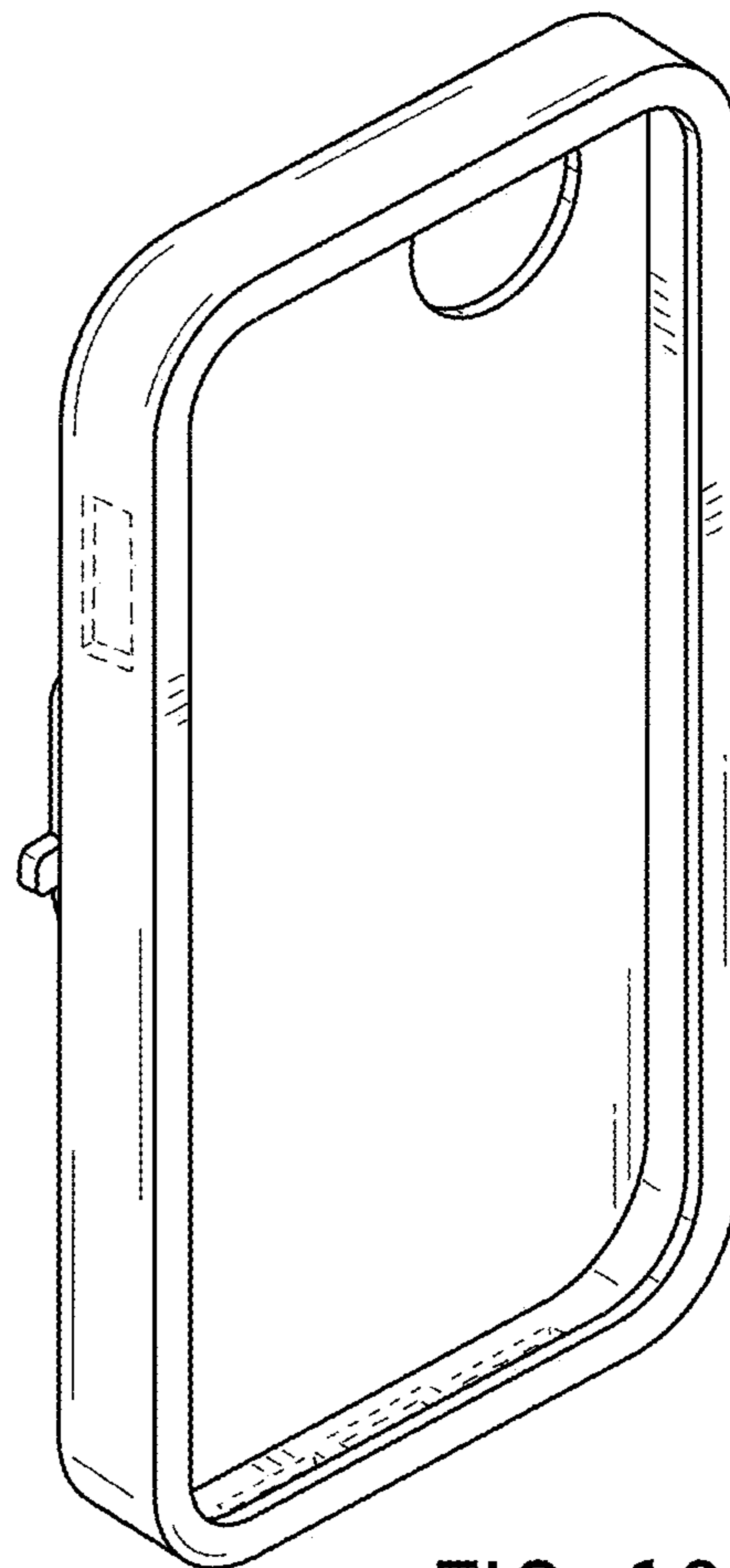


FIG. 10

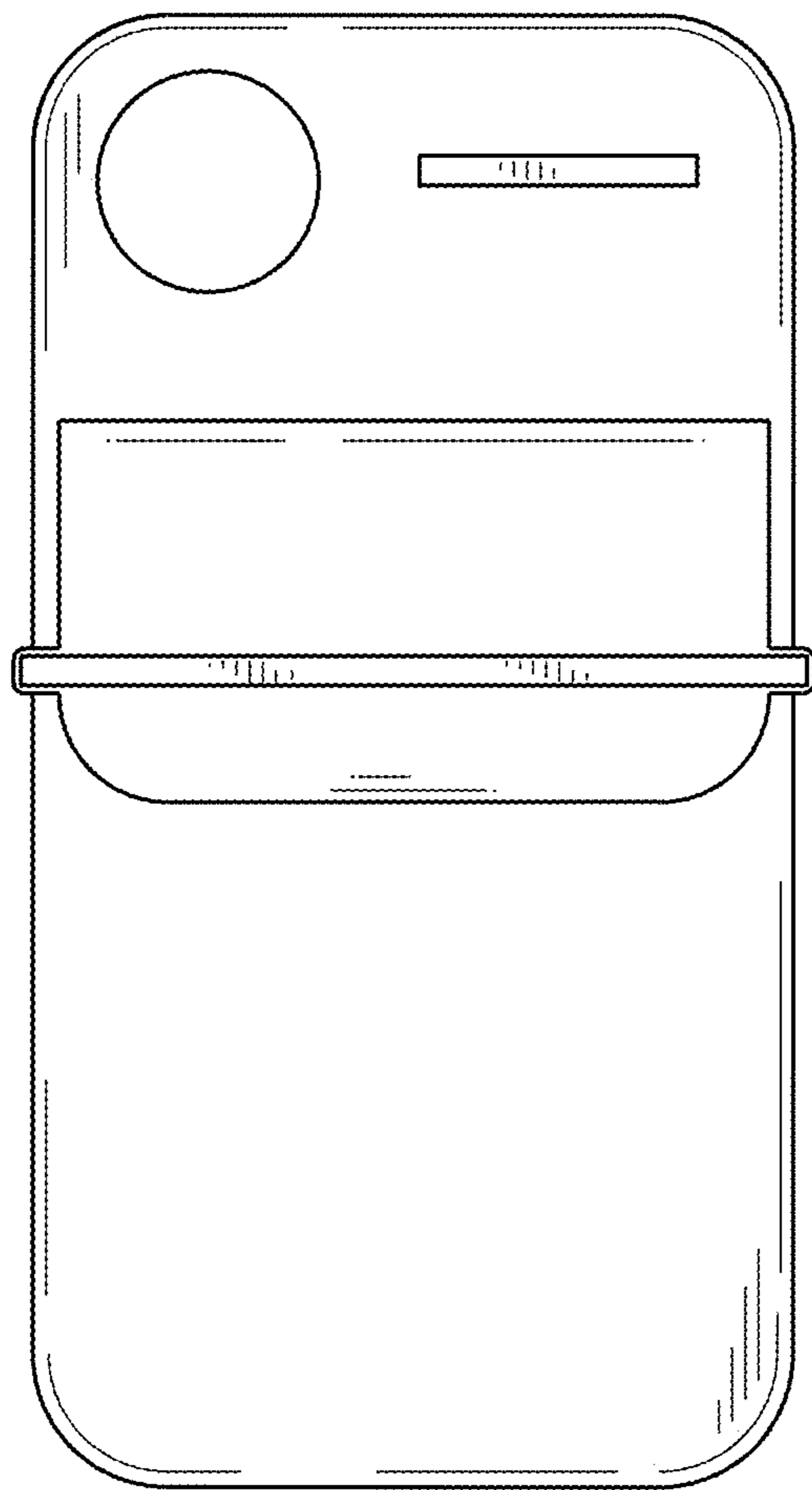


FIG. 11

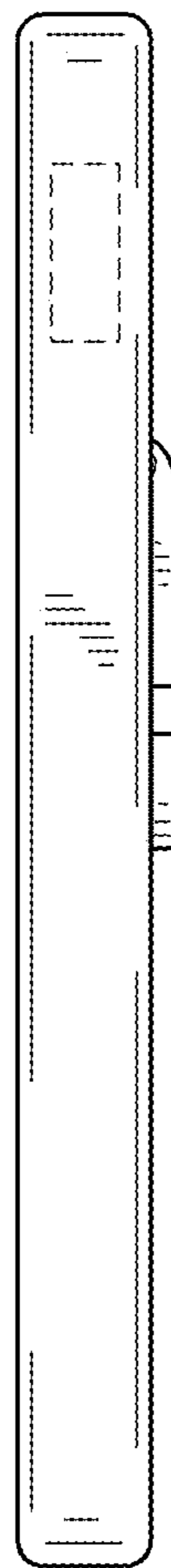


FIG. 12

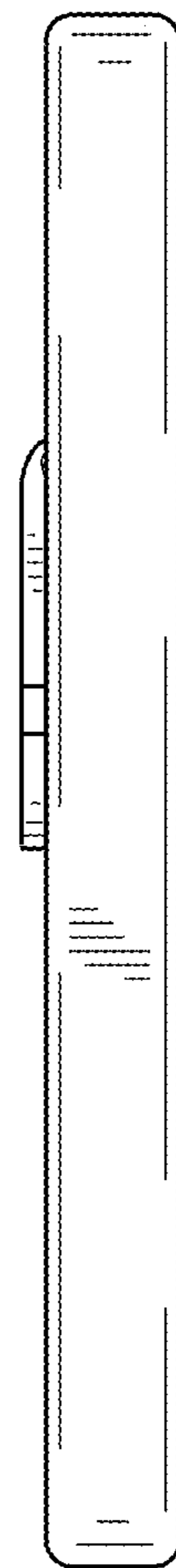


FIG. 13