



US00D944237S

(12) **United States Design Patent** (10) **Patent No.:** **US D944,237 S**
Zou et al. (45) **Date of Patent:** **** Feb. 22, 2022**

(54) **NETWORK GATEWAY**

(56) **References Cited**

(71) Applicant: **Siemens Aktiengesellschaft**, Munich (DE)

U.S. PATENT DOCUMENTS

(72) Inventors: **Hui Zou**, Chengdu (CN); **Chang Sen Chen**, Chengdu (CN); **Bo Yuan Sun**, Chengdu (CN); **Zhao Hui Zhao**, Chengdu (CN)

D311,389 S *	10/1990	Festa	D13/184
D331,394 S *	12/1992	Kobayashi	D14/242
D337,114 S *	7/1993	Mantz	D13/184
D343,395 S *	1/1994	Kakizaki	D14/188
D463,415 S *	9/2002	Tomino	D14/240
D482,673 S *	11/2003	Shindo	D14/188
D486,479 S *	2/2004	Chung	D14/240
D487,086 S *	2/2004	Chung	D14/356
D574,809 S *	8/2008	Yagihashi	D14/188
D654,066 S *	2/2012	Yi	D14/240
D791,747 S *	7/2017	Bellows	D14/240
D836,092 S *	12/2018	Erbacher	D14/242
D888,046 S *	6/2020	Lu	D14/301

(73) Assignee: **Siemens Aktiengesellschaft**, Munich (DE)

(**) Term: **15 Years**

* cited by examiner

(21) Appl. No.: **29/734,823**

Primary Examiner — Khawaja Anwar

(22) Filed: **May 15, 2020**

Assistant Examiner — Megan Tiana Rakos

(30) **Foreign Application Priority Data**

(74) *Attorney, Agent, or Firm* — Cozen O'Connor

Nov. 18, 2019 (CN) 201930634752.7

(51) **LOC (13) Cl.** **15-04**

(57) **CLAIM**

(52) **U.S. Cl.**

The ornamental design for a network gateway, as shown and described.

USPC **D14/240**

DESCRIPTION

(58) **Field of Classification Search**

USPC D10/46, 61, 65, 75, 78, 104.1, 106.1, D10/121; D13/108, 110, 123, 125, 133, D13/152, 154, 162, 184, 199; D14/146, D14/168, 179, 188, 217, 221, 240, 242, D14/243, 245, 265, 300, 302, 411, 433, D14/496; 379/67, 93, 100, 102, 441, 442

CPC H04L 12/2834; H04L 43/02; H04L 2012/5618; H04L 12/66; H04L 65/102; H04M 1/00; H04W 88/12; H04W 88/14; H04W 88/16

FIG. 1 is a front elevational view of a network gateway showing our new design;
 FIG. 2 is a rear elevational view thereof;
 FIG. 3 is a top plan view thereof;
 FIG. 4 is a bottom plan view thereof;
 FIG. 5 is a right-side elevational view thereof;
 FIG. 6 is a left-side elevational view thereof;
 FIG. 7 is a front, top and right-side perspective view thereof;
 and,
 FIG. 8 is a rear, top and left-side perspective view thereof.
 The broken lines shown in the drawing represent subject matter and form no part of the claimed design.

See application file for complete search history.

1 Claim, 8 Drawing Sheets

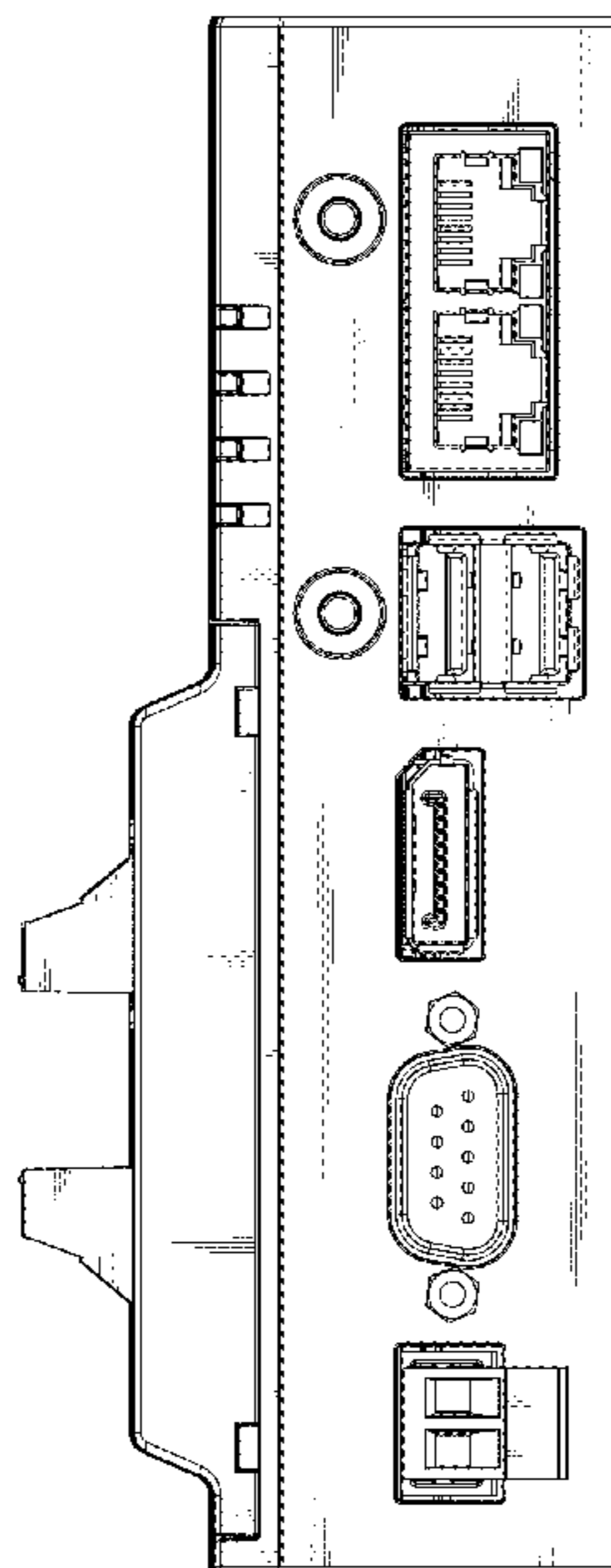


FIG. 1

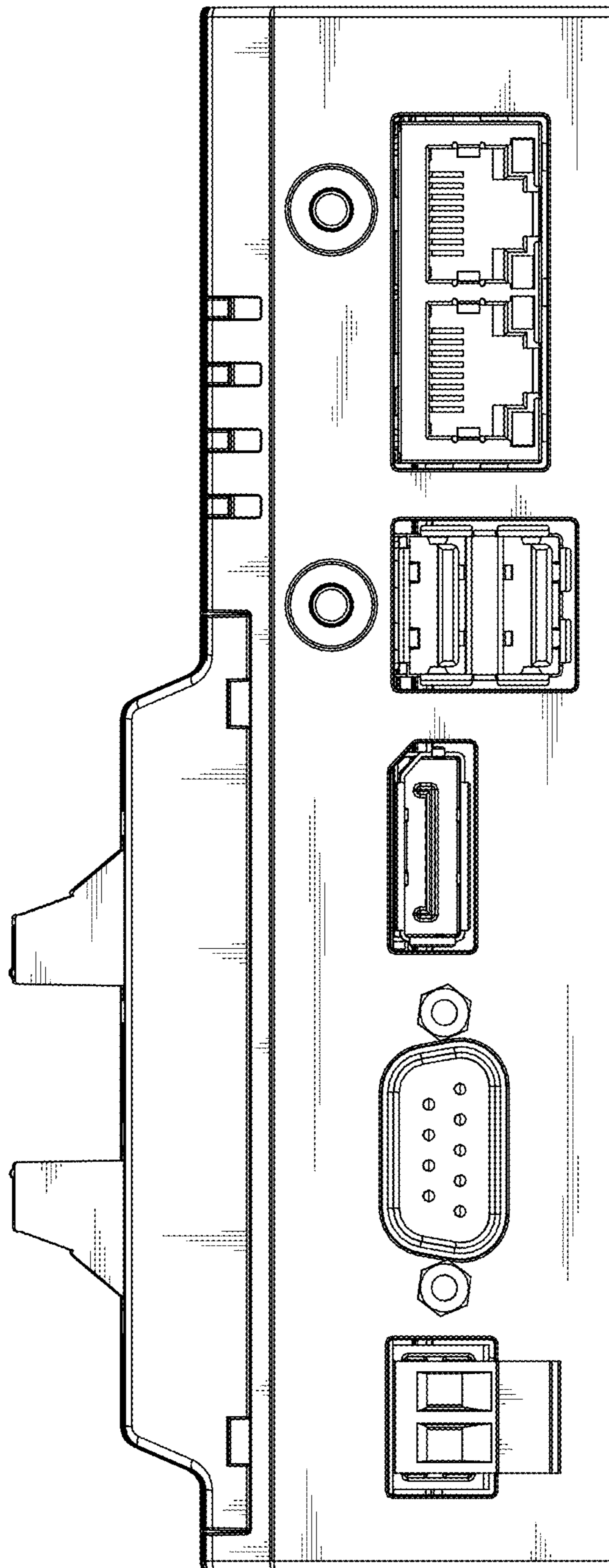


FIG. 2

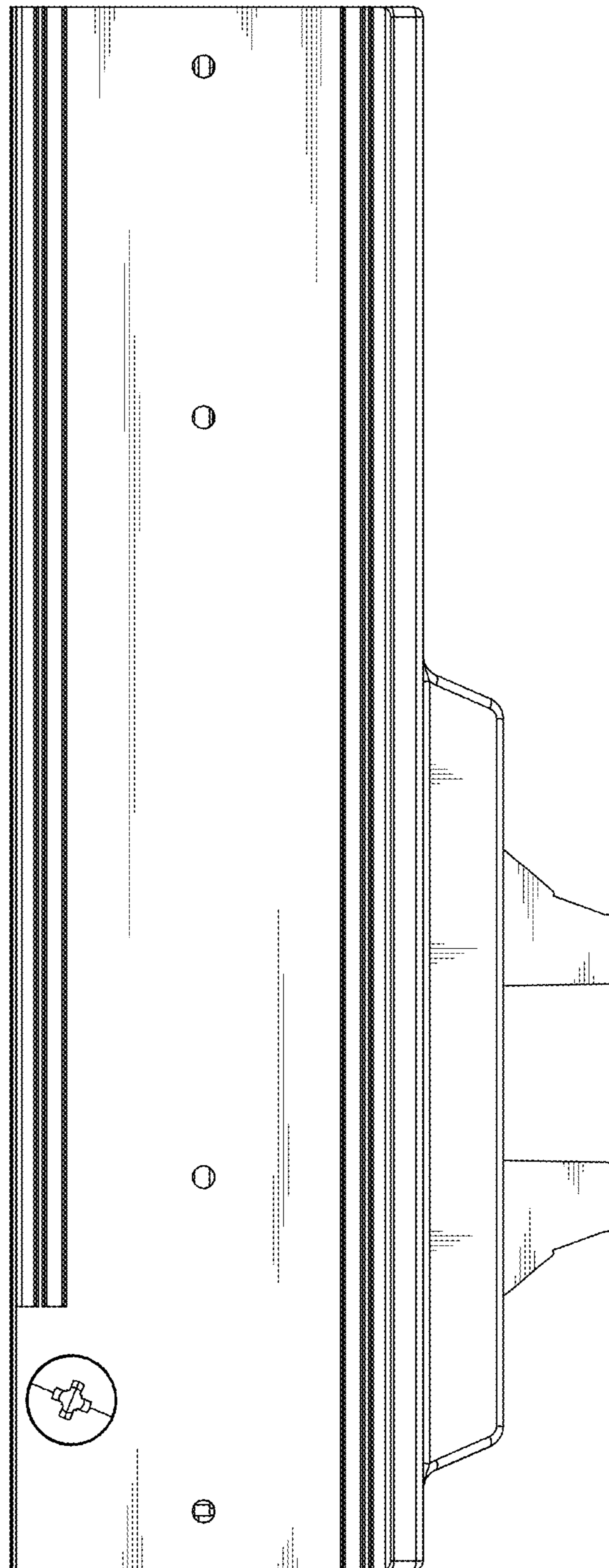


FIG. 3

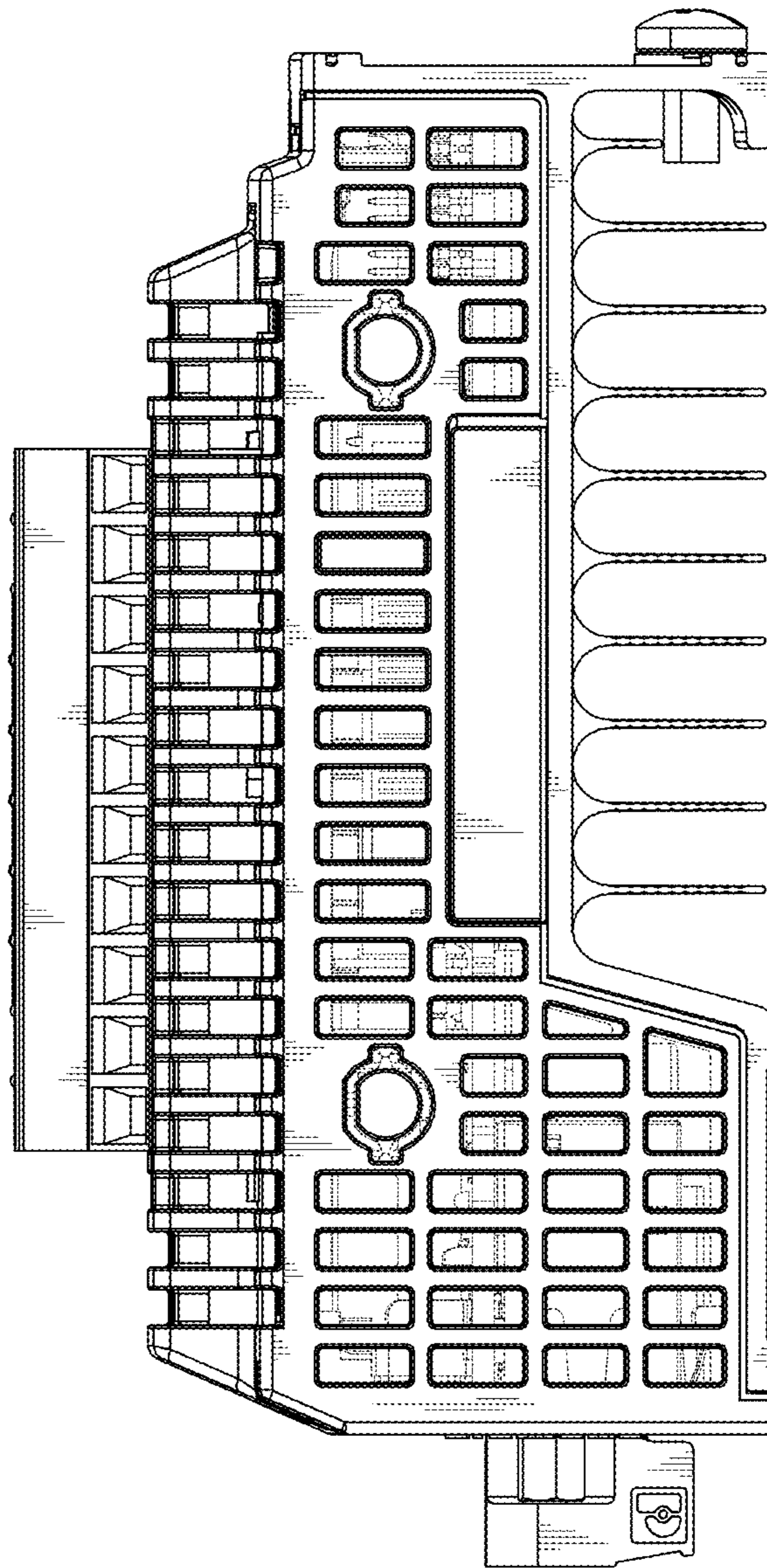


FIG. 4

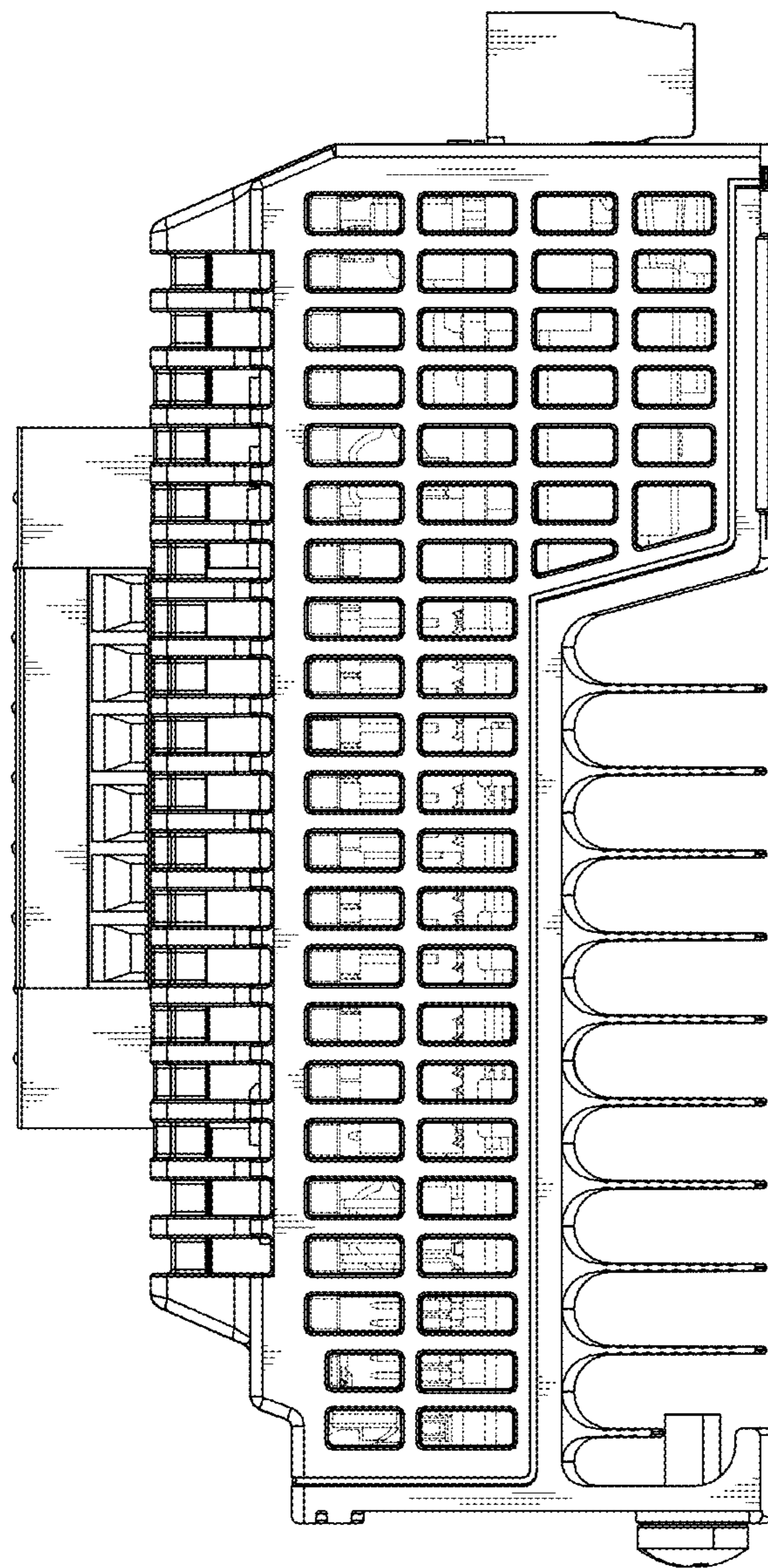


FIG. 5

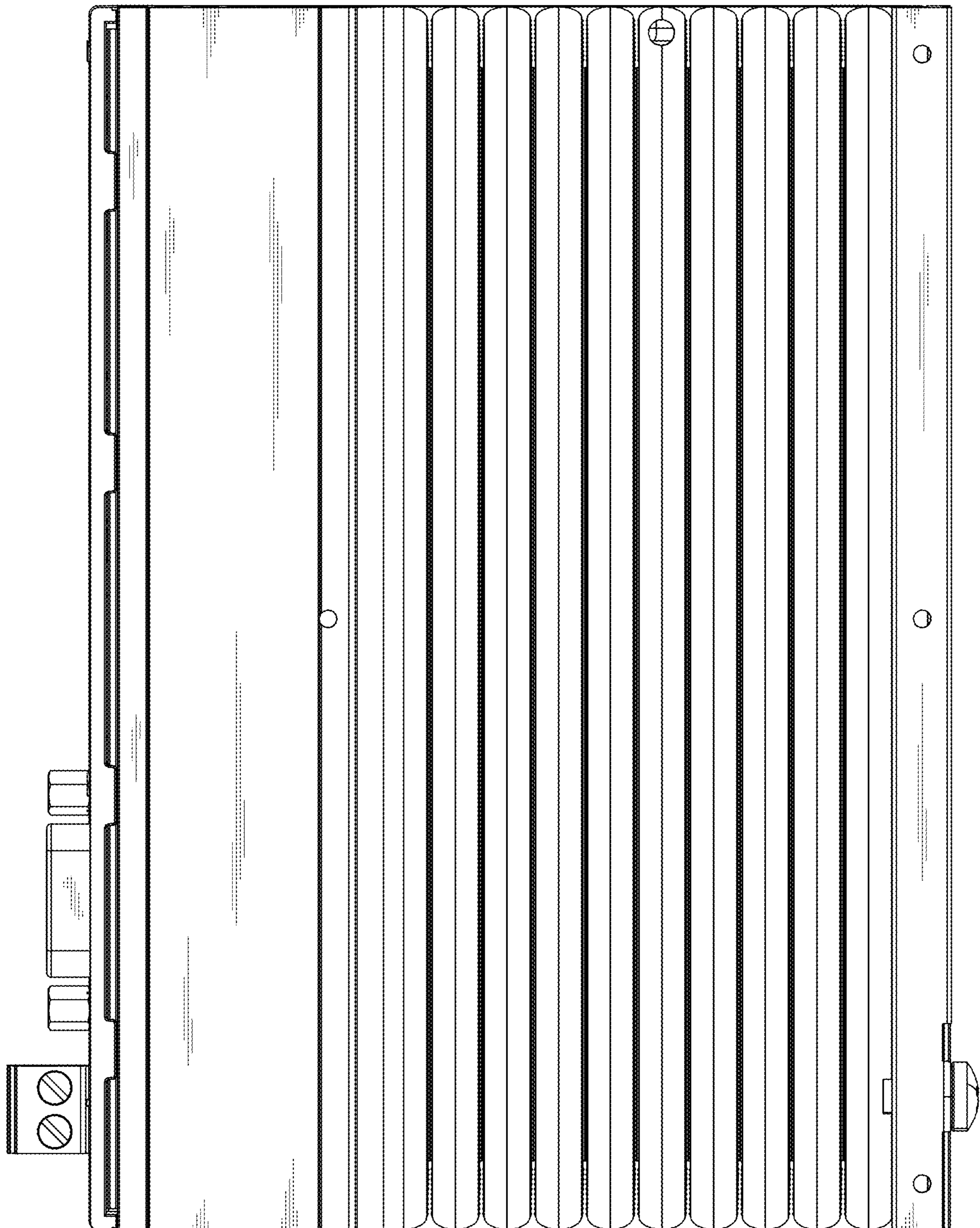


FIG. 6

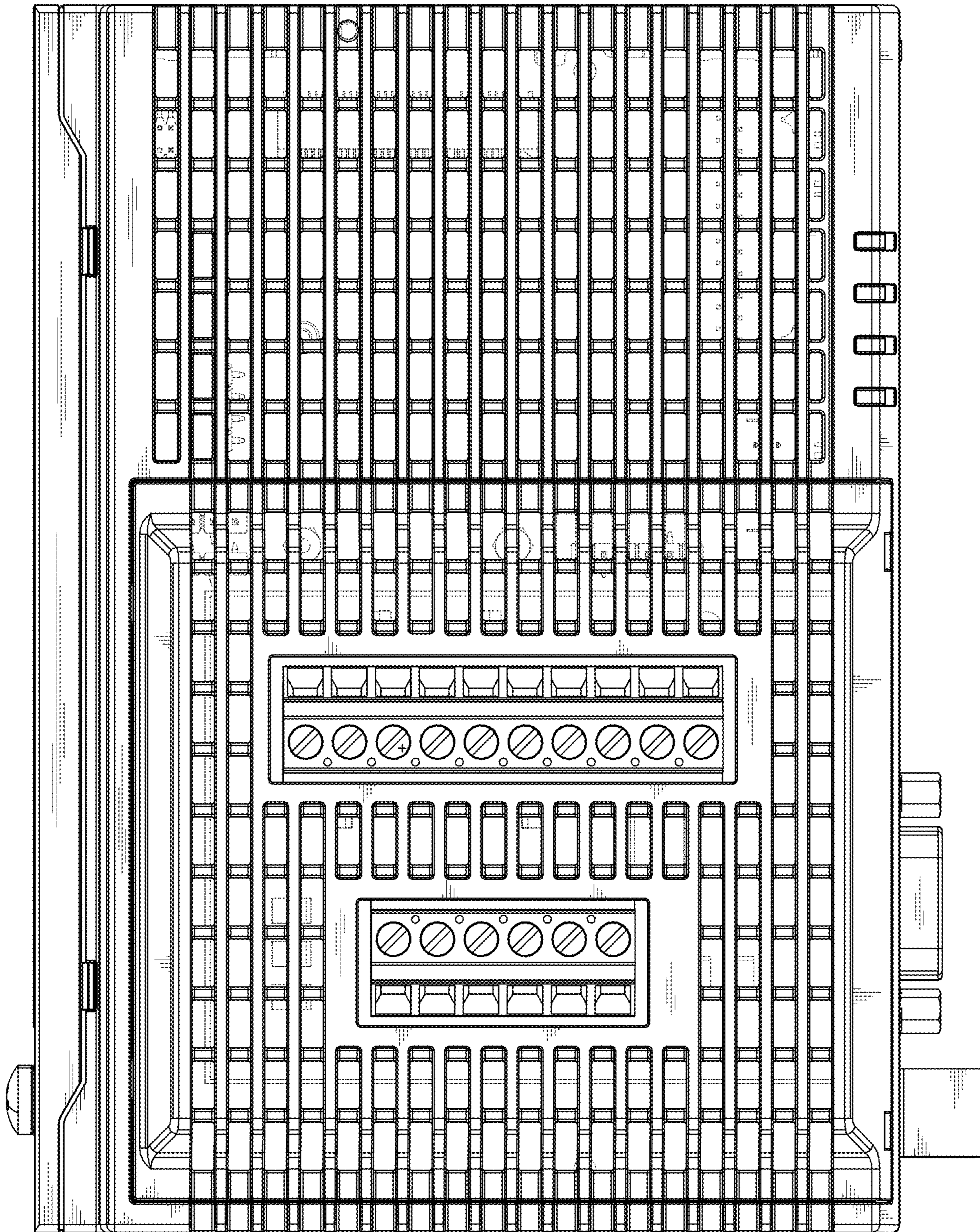


FIG. 7

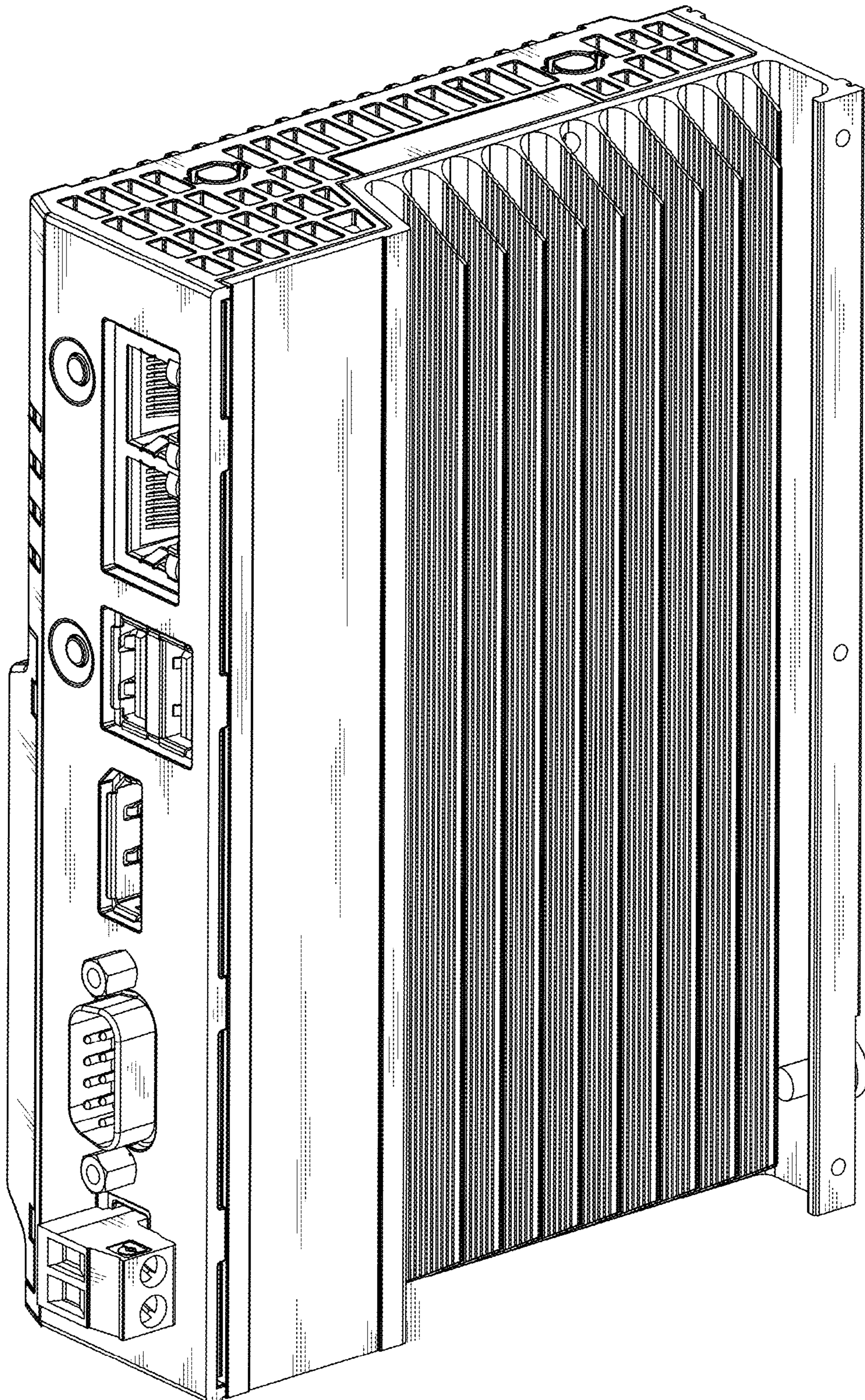


FIG. 8

