



US00D944236S

(12) **United States Design Patent** (10) **Patent No.:** **US D944,236 S**  
**Zou et al.** (45) **Date of Patent:** **\*\* Feb. 22, 2022**

(54) **NETWORK GATEWAY** D337,114 S \* 7/1993 Mantz ..... D13/184  
D343,395 S \* 1/1994 Kakizaki ..... D14/188  
(71) Applicant: **Siemens Aktiengesellschaft**, Munich D463,415 S \* 9/2002 Tomino ..... D14/240  
(DE) D482,673 S \* 11/2003 Shindo ..... D14/188

(72) Inventors: **Hui Zou**, Chengdu (CN); **Chang Sen Chen**, Chengdu (CN); **Gao Fei Dong**, Chengdu (CN); **Bo Yuan Sun**, Chengdu (CN); **Zhao Hui Zhao**, Chengdu (CN)  
*Primary Examiner* — Khawaja Anwar  
*Assistant Examiner* — Megan Tiana Rakos  
(74) *Attorney, Agent, or Firm* — Cozen O'Connor

(73) Assignee: **Siemens Aktiengesellschaft**, Munich (DE)

(\*\*) Term: **15 Years**

(21) Appl. No.: **29/734,820**

(22) Filed: **May 15, 2020**

(30) **Foreign Application Priority Data**

Nov. 18, 2019 (CN) ..... 201930635238.5

(51) **LOC (13) Cl.** ..... **15-04**

(52) **U.S. Cl.**  
USPC ..... **D14/240**

(58) **Field of Classification Search**  
USPC ..... D10/46, 61, 65, 75, 78, 104.1, 106.1, D10/121; D13/108, 110, 123, 125, 133, D13/152, 154, 162, 184, 199; D14/146, D14/168, 179, 188, 217, 221, 240, 242, D14/243, 245, 265, 300, 302, 411, 433, D14/496; 379/67, 93, 100, 102, 441, 442  
CPC ..... H04L 12/2834; H04L 43/02; H04L 2012/5618; H04L 12/66; H04L 65/102; H04M 1/00; H04W 88/12; H04W 88/14; H04W 88/16

See application file for complete search history.

(56) **References Cited**

**U.S. PATENT DOCUMENTS**

D311,389 S \* 10/1990 Festa ..... D13/184  
D331,394 S \* 12/1992 Kobayashi ..... D14/242

(Continued)

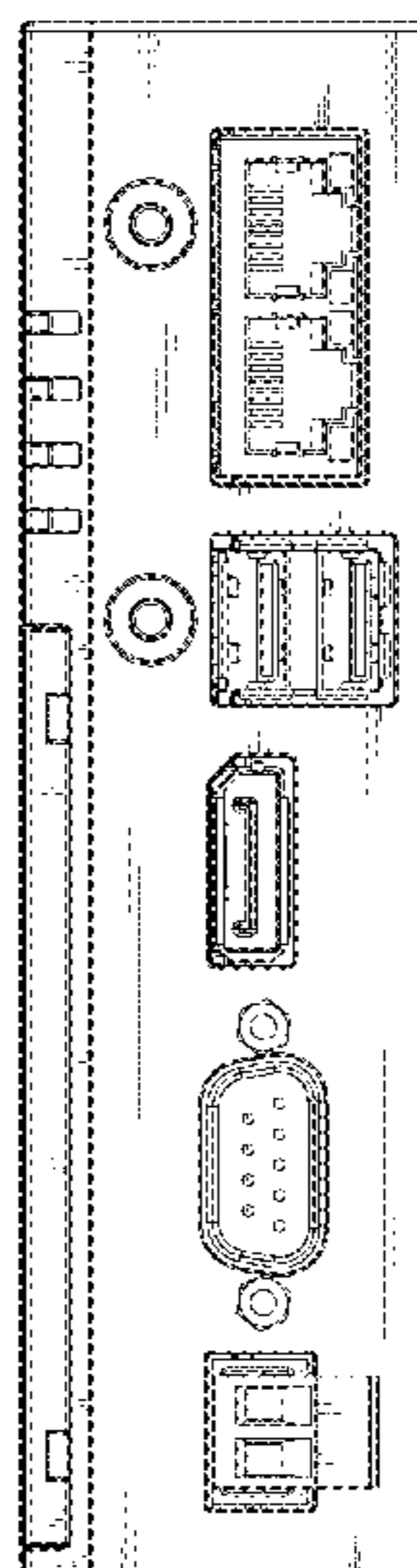
(57) **CLAIM**

The ornamental design for a network gateway, as shown and described.

**DESCRIPTION**

FIG. 1 is a front elevational view of a network gateway showing our new design;  
FIG. 2 is a rear elevational view thereof;  
FIG. 3 is a top plan view thereof;  
FIG. 4 is a bottom plan view thereof;  
FIG. 5 is a right-side elevational view thereof;  
FIG. 6 is a left-side elevational view thereof;  
FIG. 7 is a front, top and right-side perspective view thereof;  
FIG. 8 is a rear, top and left-side perspective view thereof;  
FIG. 9 is a rear, top and right-side perspective view of the network gateway with a single mounting bracket mounted on the rear thereof;  
FIG. 10 is rear, top and right-side perspective view of the network gateway with the single mounting bracket mounted on the right thereof;  
FIG. 11 is a rear, top and right-side perspective view of the network gateway with dual mounting brackets mounted on the rear thereof; and,  
FIG. 12 is a rear, top and right-side perspective view of the network gateway with dual mounting brackets mounted on the right thereof.  
The broken lines shown in the drawing represent subject matter and form no part of the claimed design.

**1 Claim, 12 Drawing Sheets**



(56)

**References Cited**

U.S. PATENT DOCUMENTS

D486,479	S	*	2/2004	Chung	.....	D14/240
D487,086	S	*	2/2004	Chung	.....	D14/356
D574,809	S	*	8/2008	Yagihashi	.....	D14/188
D654,066	S	*	2/2012	Yi	.....	D14/240
D791,747	S	*	7/2017	Bellows	.....	D14/240
D836,092	S	*	12/2018	Erbacher	.....	D14/242
D888,046	S	*	6/2020	Lu	.....	D14/301

\* cited by examiner

FIG. 1

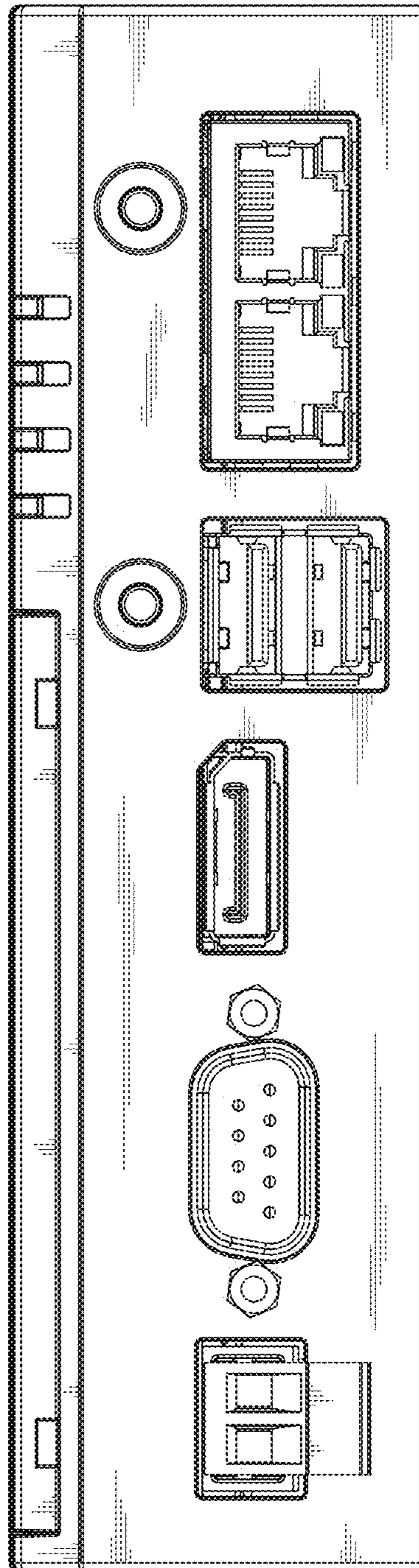


FIG. 2

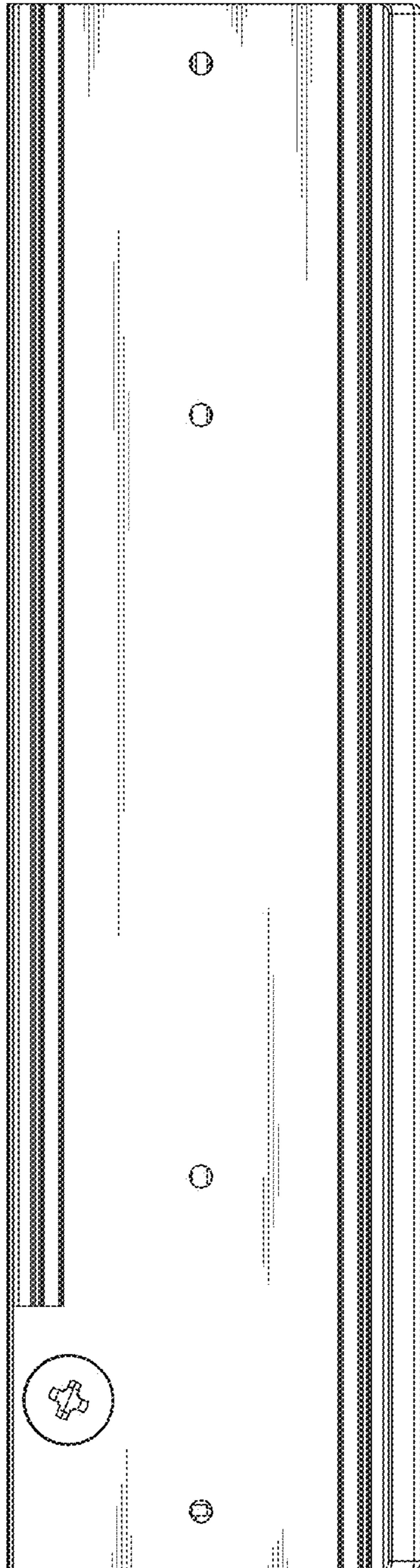




FIG. 3

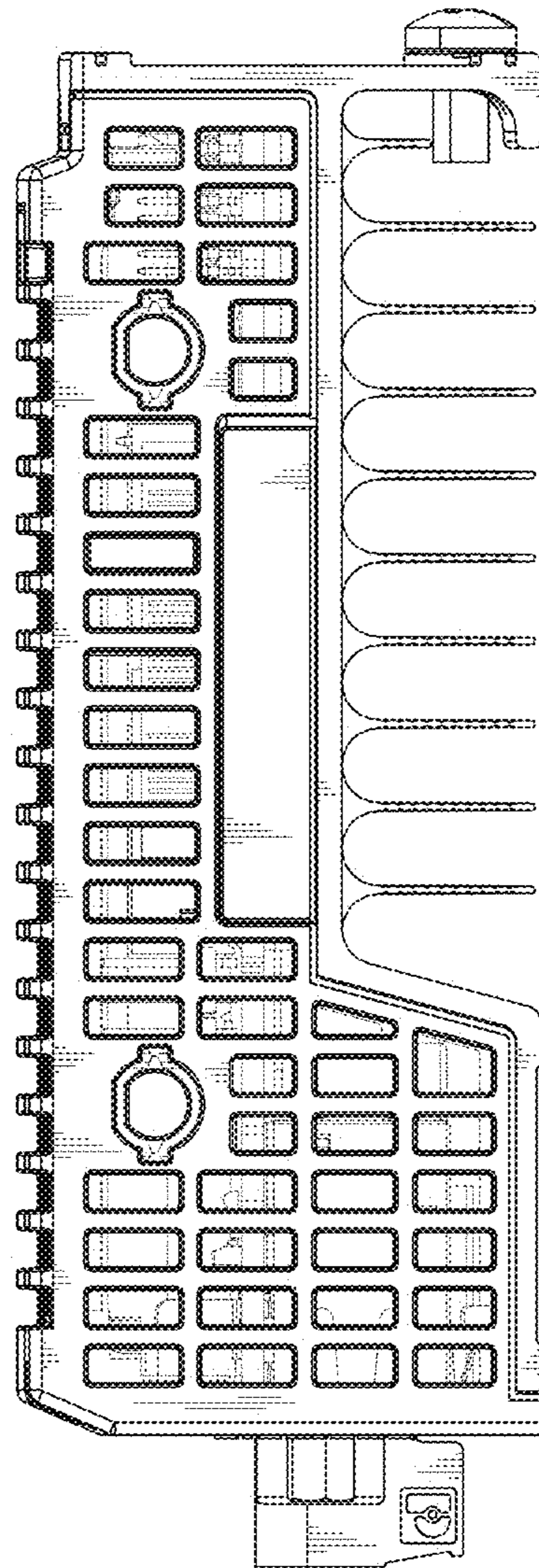


FIG. 4

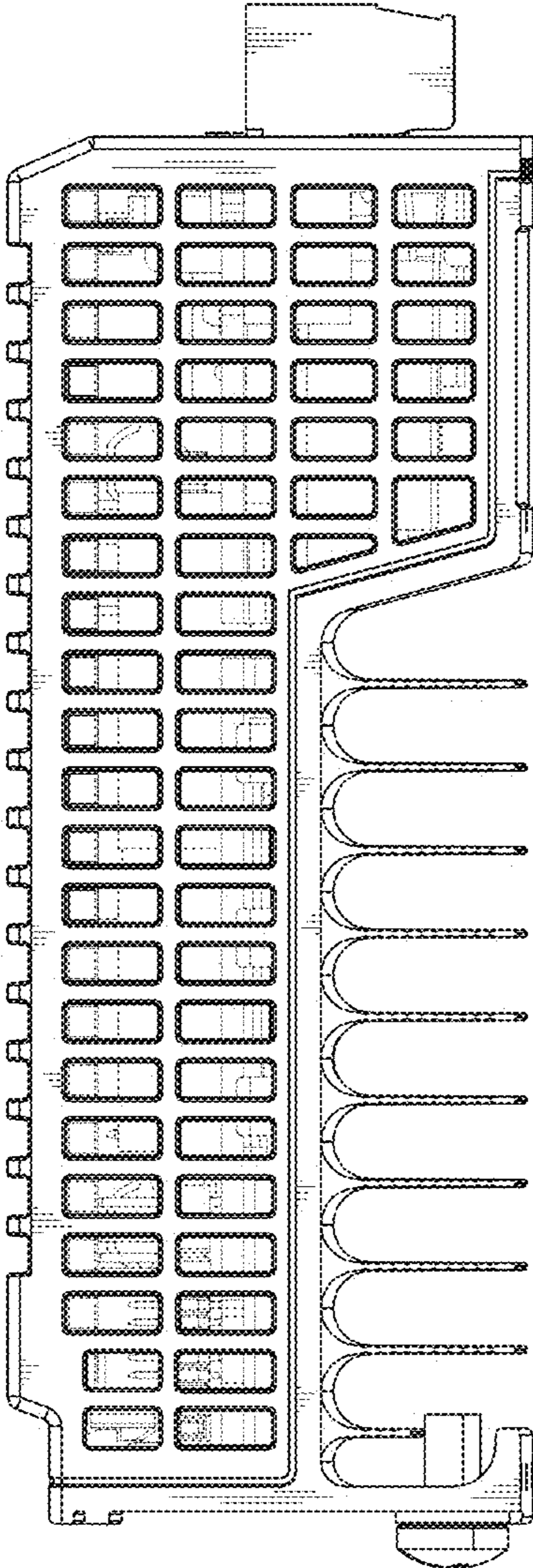


FIG. 5

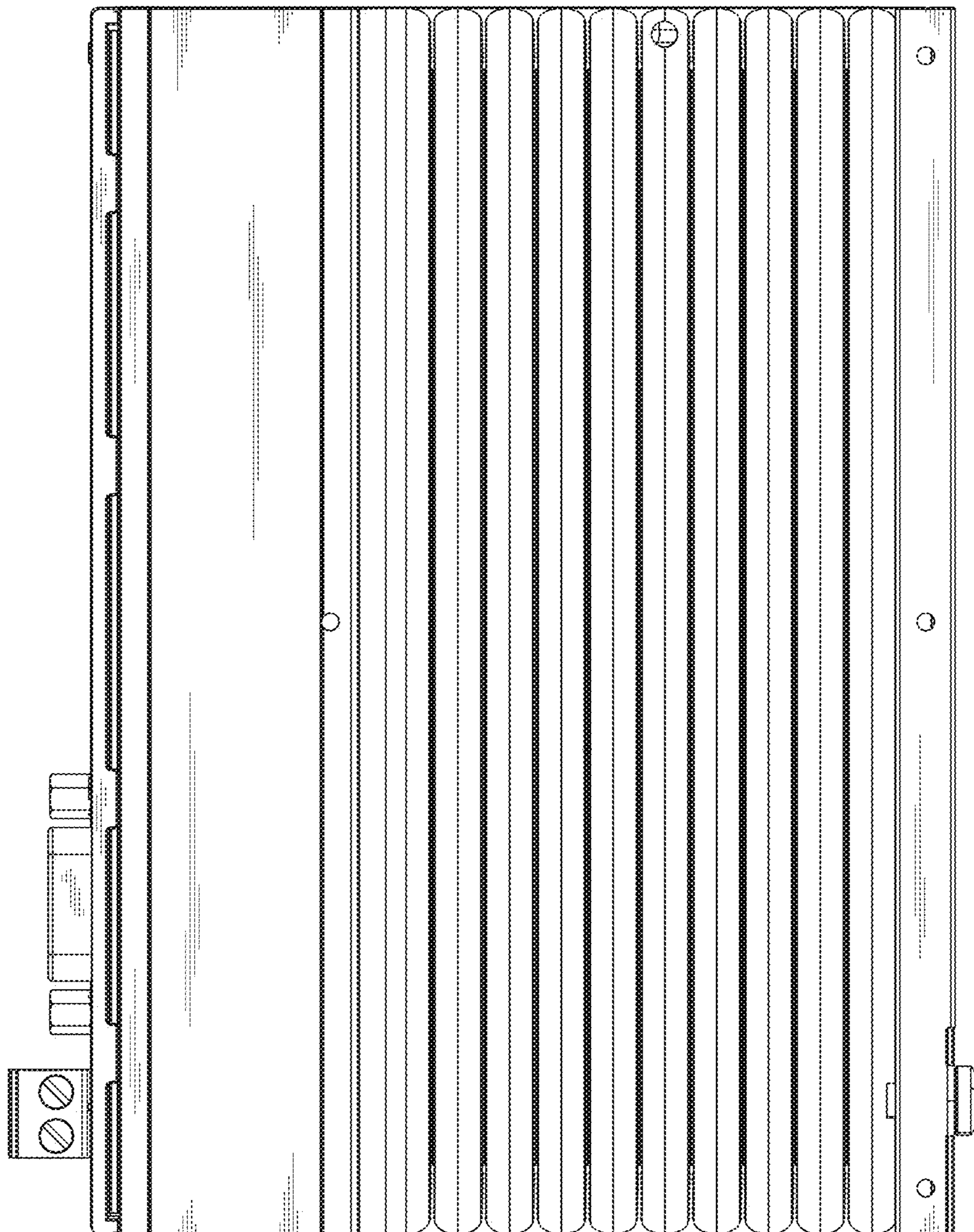




FIG. 6

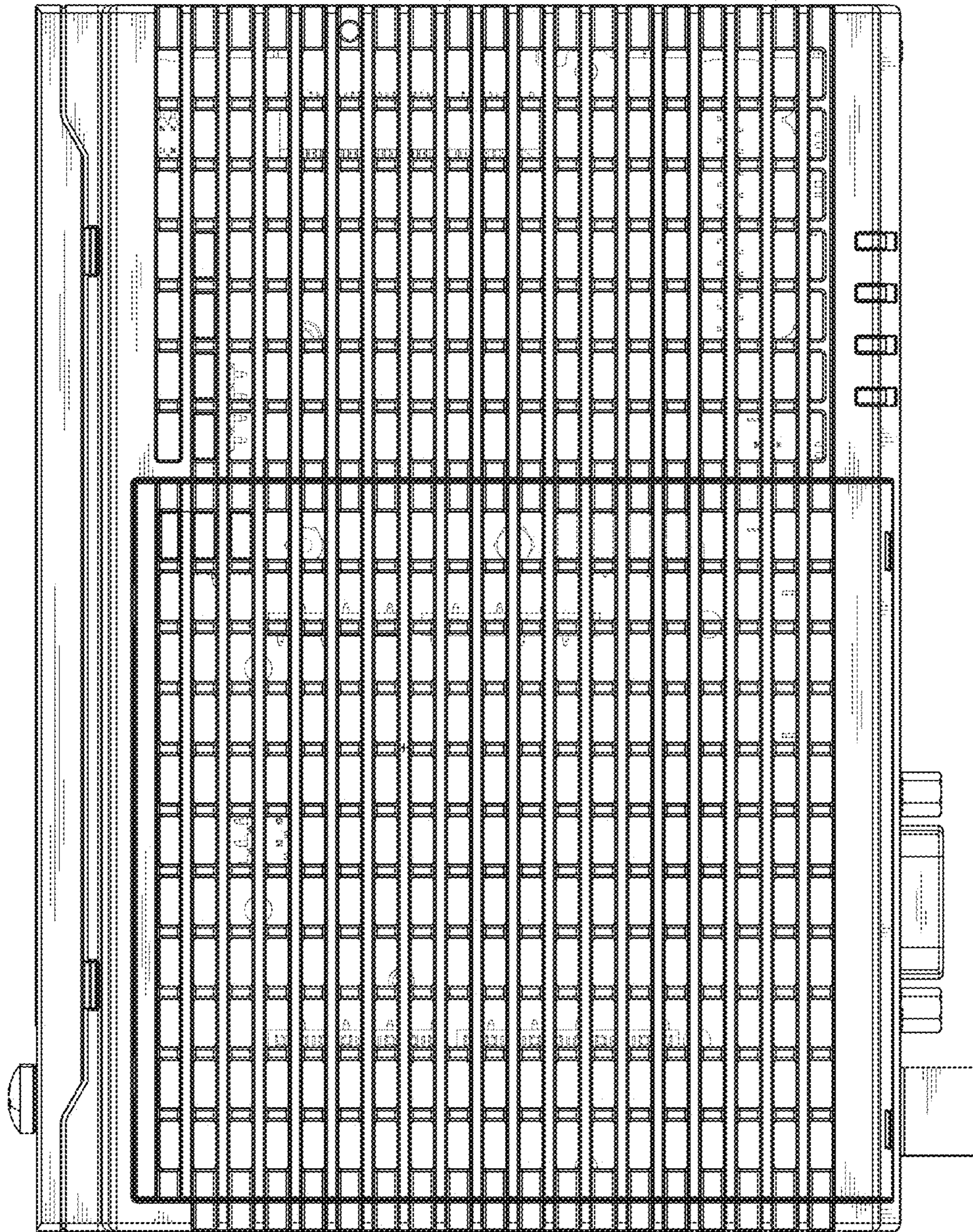




FIG. 7

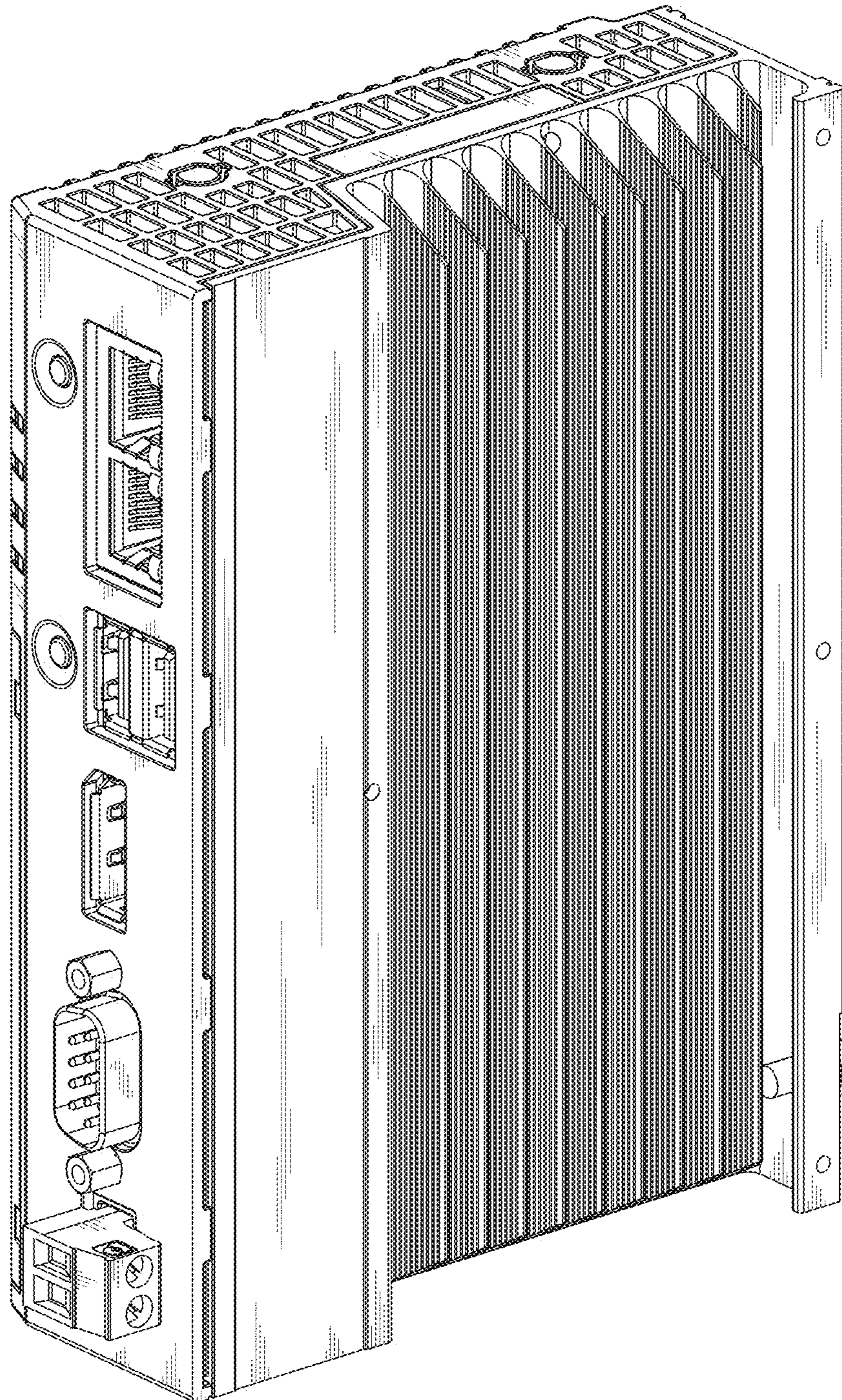




FIG. 8

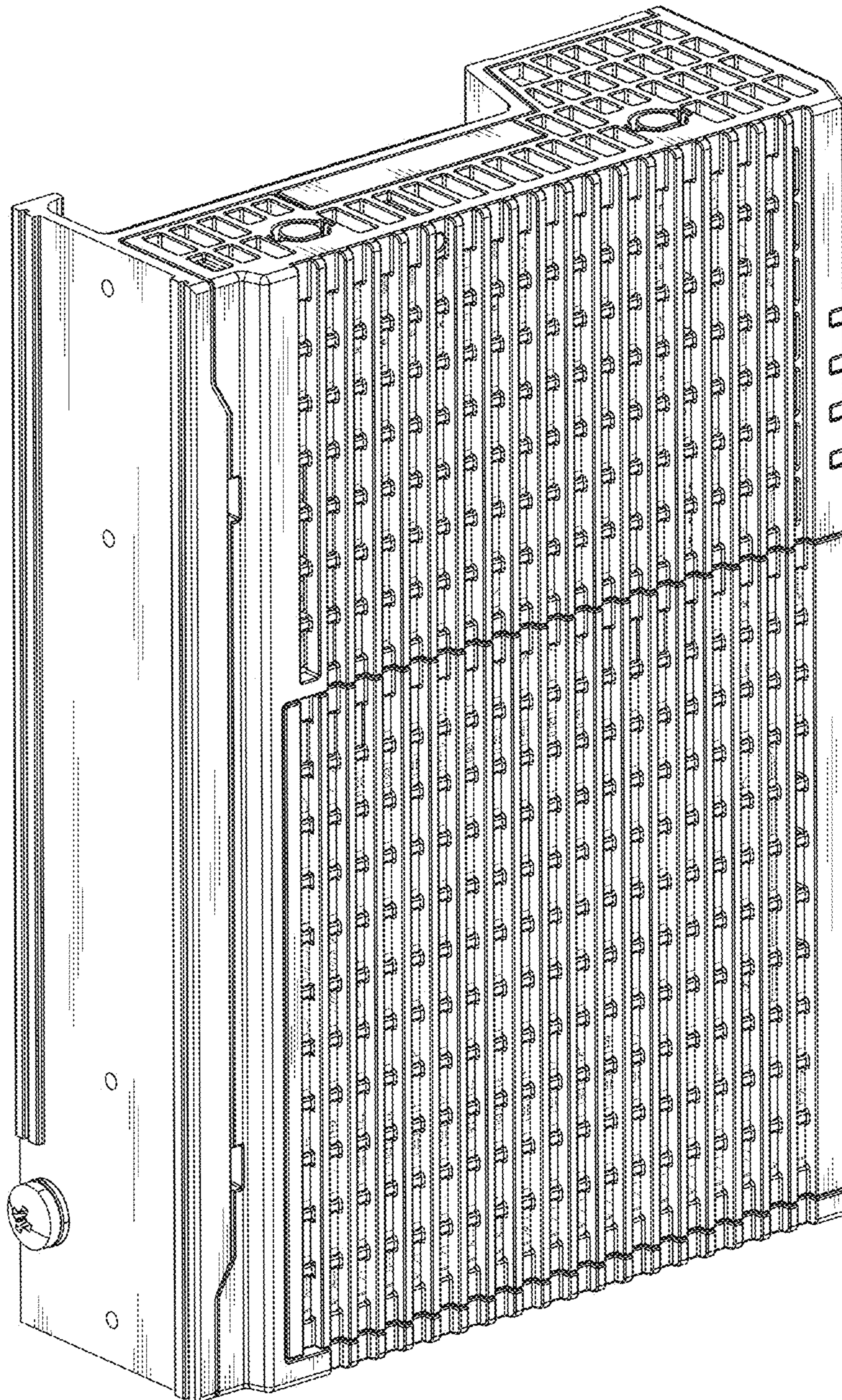




FIG. 9

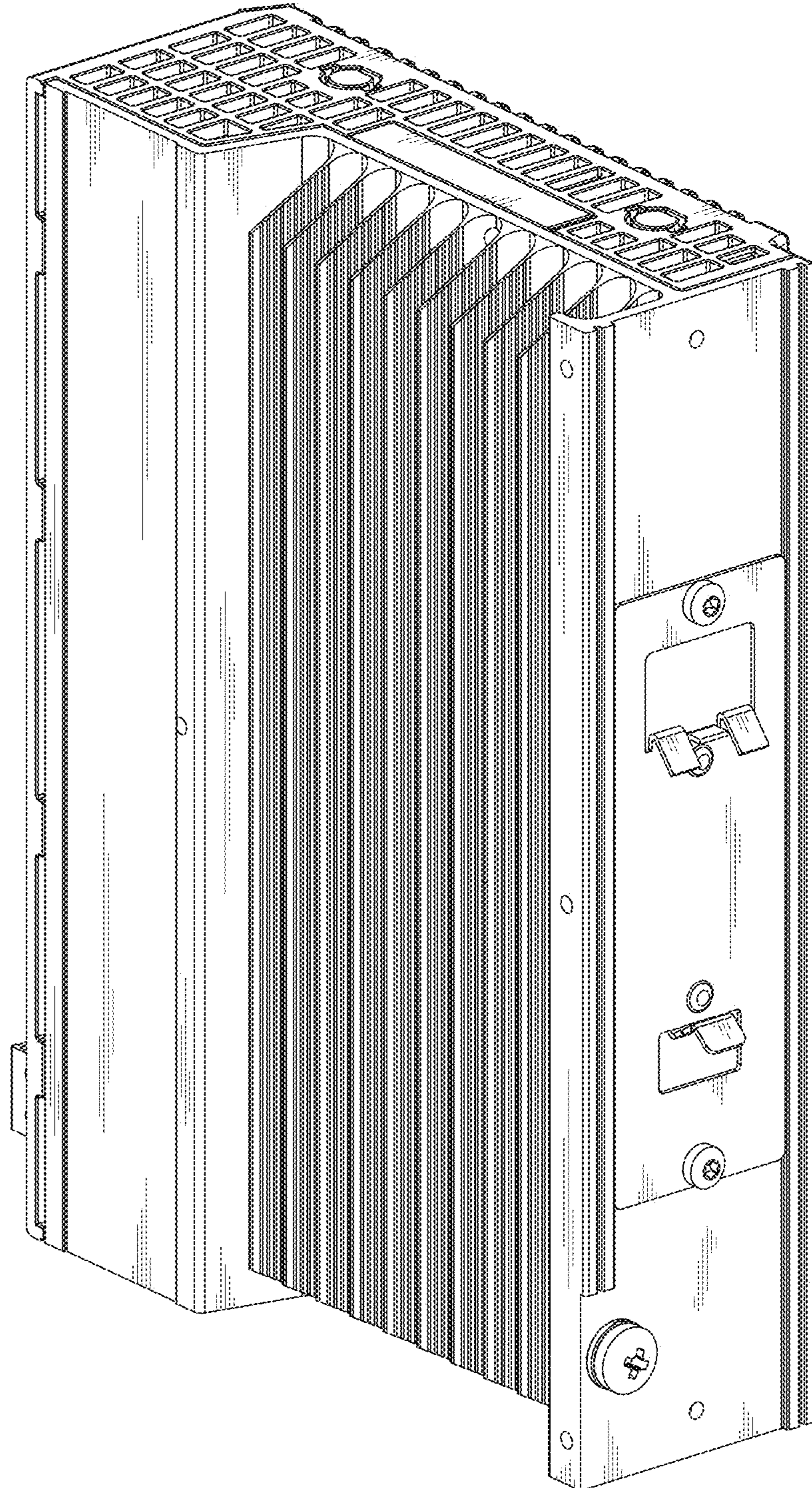




FIG. 10

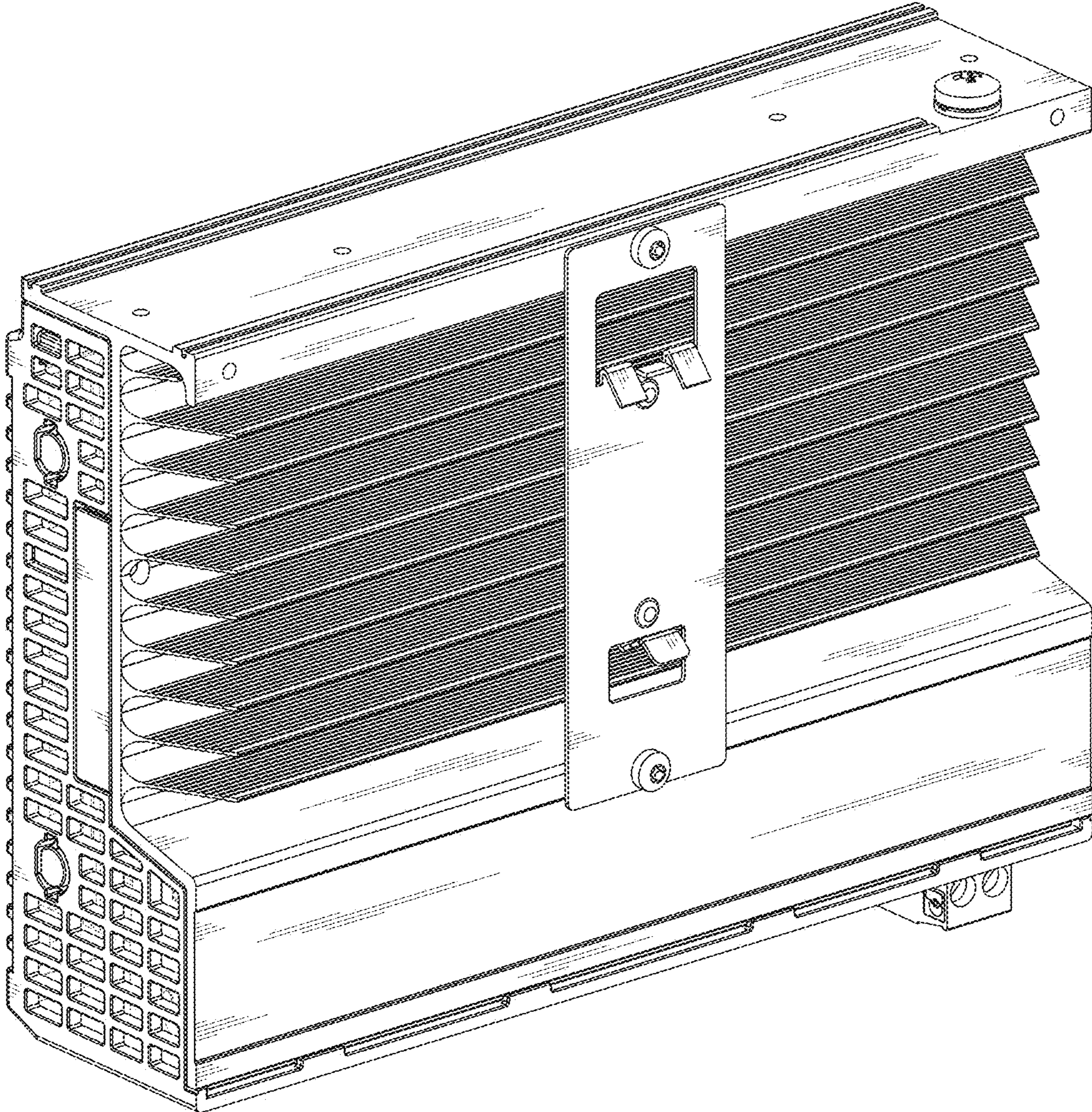




FIG. 11

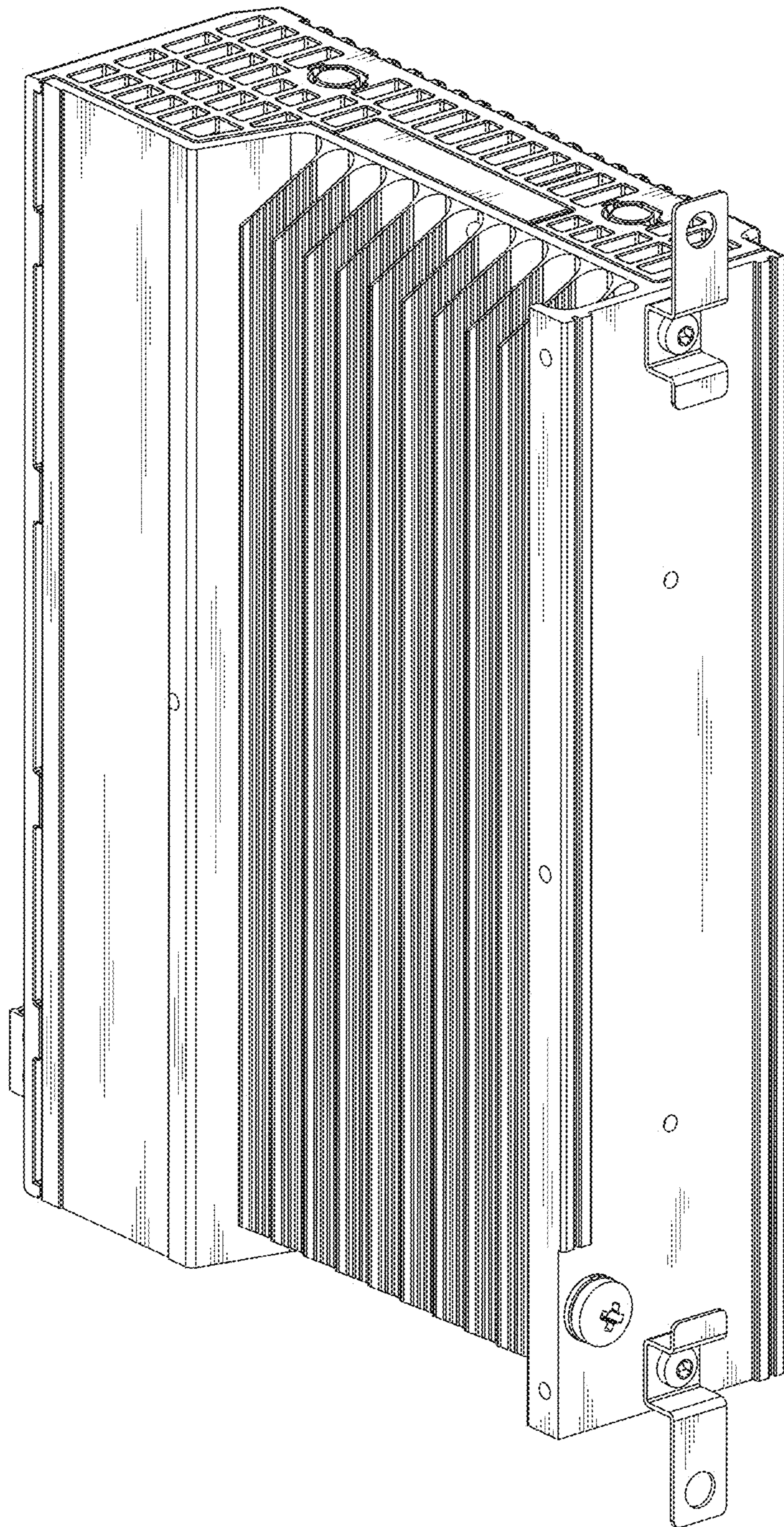




FIG. 12

