



US00D944235S

(12) **United States Design Patent** (10) **Patent No.:** **US D944,235 S**  
**Shu** (45) **Date of Patent:** **\*\* Feb. 22, 2022**

(54) **DISPLAY MOUNT**  
(71) Applicant: **SHENZHEN BESTQI INNOVATION TECHNOLOGY CO., LTD**, Shenzhen (CN)  
(72) Inventor: **Hua Shu**, Shenzhen (CN)  
(73) Assignee: **SHENZHEN BESTQI INNOVATION TECHNOLOGY CO., LTD**, Shenzhen (CN)

(\*\*) Term: **15 Years**  
(21) Appl. No.: **29/763,963**  
(22) Filed: **Dec. 28, 2020**

(51) **LOC (13) Cl.** ..... **14-03**  
(52) **U.S. Cl.**  
USPC ..... **D14/239**  
(58) **Field of Classification Search**  
USPC ..... D14/239, 371, 372-374, 447-452, 125, D14/127-129, 335-337, 375-377, 341, D14/126, 211, 238; D8/355, 363, 373, D8/380, 366, 376, 377, 354; D6/672, D6/682, 553, 300, 310-313, 308, 708; D25/121, 119

CPC ..... F16M 11/2085; F16M 11/2092; F16M 11/2007; F16M 11/2014; F16M 11/2021; F16M 11/105; F16M 11/10; F16M 11/048; F16M 11/12; F16M 13/022; F16M 13/02; F16M 13/00; F16M 11/04; F16M 2200/08; H04N 5/655; H02G 3/126; A47B 21/0314; A47B 88/044; A47B 21/0335; A47G 1/17; A47K 2201/001; F16B 47/00; F16B 47/006  
See application file for complete search history.

(56) **References Cited**

**U.S. PATENT DOCUMENTS**

D587,499 S \* 3/2009 Bouissiere ..... D6/708  
D615,072 S \* 5/2010 Saitou ..... D14/239

8,959,813 B2 \* 2/2015 Denby ..... G09F 15/0056  
40/606.03  
D723,311 S \* 3/2015 Jiang ..... D6/681  
10,145,503 B2 \* 12/2018 Feldman ..... F16M 13/02  
D852,175 S \* 6/2019 Morita ..... D14/239  
D877,746 S \* 3/2020 Pei ..... D14/452  
D878,382 S \* 3/2020 Pei ..... D14/452  
D912,027 S \* 3/2021 Lyu ..... D14/239  
2021/0190257 A1 \* 6/2021 You ..... F16M 11/16

**OTHER PUBLICATIONS**

TV Floor Stand, Mobile TV Stand on Wheels, first available Sep. 8, 2019, amazon.co.uk, [online], [site visited Dec. 15, 2021], Available from internet URL: [https://www.amazon.co.uk/dp/B07V9KX6HX/ref=sspa\\_dk\\_detail\\_1?pd\\_rd\\_w=QPs16&pf\\_rd\\_p=828203ef-618e-4303-a028-460d6b615038&pd\\_rd\\_wg=%E2%80%A6&th=1](https://www.amazon.co.uk/dp/B07V9KX6HX/ref=sspa_dk_detail_1?pd_rd_w=QPs16&pf_rd_p=828203ef-618e-4303-a028-460d6b615038&pd_rd_wg=%E2%80%A6&th=1) (Year: 2019).\*

(Continued)

*Primary Examiner* — Samantha Q Lawrence  
*Assistant Examiner* — Holly M Rodriguez

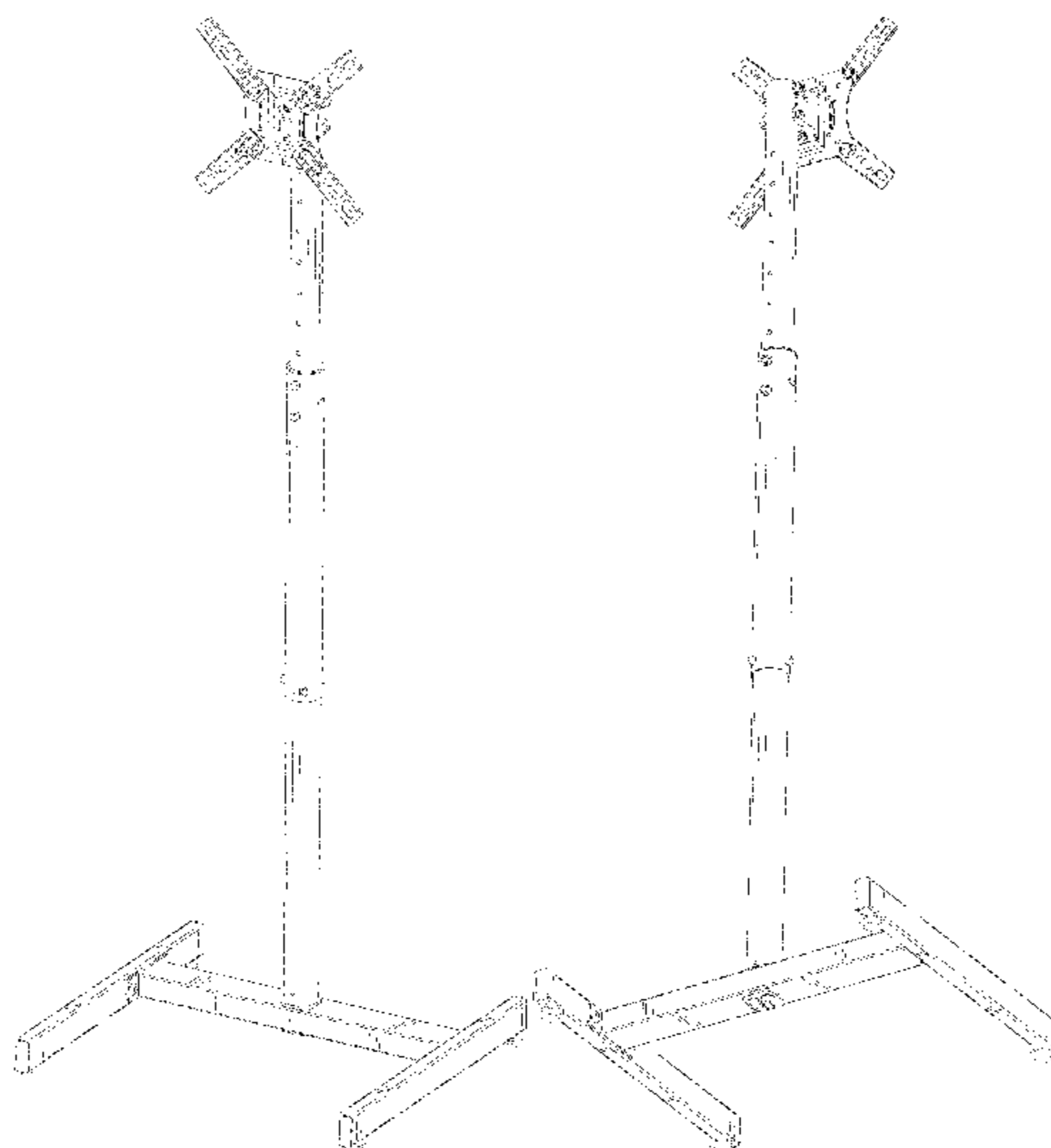
(57) **CLAIM**

The ornamental design for a display mount, as shown and described.

**DESCRIPTION**

FIG. 1 is a perspective view of a display mount showing my new design;  
FIG. 2 is another perspective view thereof;  
FIG. 3 is a front elevational view thereof;  
FIG. 4 is a rear elevational view thereof;  
FIG. 5 is a left side elevational view thereof;  
FIG. 6 is a right side elevational view thereof;  
FIG. 7 is a top plan view thereof;  
FIG. 8 is a bottom plan view thereof; and,  
FIG. 9 is a perspective view of the display mount where the display mount is in a configuration of use.  
The broken lines in the drawings depict portions of the display mount that form no part of the claimed design.

**1 Claim, 9 Drawing Sheets**



(56)

**References Cited**

## OTHER PUBLICATIONS

RFIVER Universal Mobile TV Stand on Wheels, first available Sep. 14, 2020, amazon.co.uk, [online], [site visited Dec. 15, 2021], Available from internet URL: [https://www.amazon.co.uk/RFIVER-Universal-Portable-Adjustable-200x200mm-black/dp/B08HYHFKTF/ref=pd\\_sbs\\_3/257-3316196-6551215?pd\\_rd\\_%E2%80%A6](https://www.amazon.co.uk/RFIVER-Universal-Portable-Adjustable-200x200mm-black/dp/B08HYHFKTF/ref=pd_sbs_3/257-3316196-6551215?pd_rd_%E2%80%A6) (Year: 2020).\*

Mount-It! TV Floor Stand, first available Aug. 8, 2016, amazon.com, [online], [site visited Dec. 15, 2021], Available from internet URL: [https://www.amazon.com/dp/B01K05LT6I/ref=sspa\\_dk\\_detail\\_6?psc=1&pd\\_rd\\_w=IZiVJ&pf\\_rd\\_p=54ed5474-54a8-4c7f-a88a-45f748d18166&pd\\_rd\\_w%E2%80%A6](https://www.amazon.com/dp/B01K05LT6I/ref=sspa_dk_detail_6?psc=1&pd_rd_w=IZiVJ&pf_rd_p=54ed5474-54a8-4c7f-a88a-45f748d18166&pd_rd_w%E2%80%A6) (Year: 2016).\*

VIVO TV Floor Stand, first available Mar. 9, 2016, amazon.com, [online], [site visited Dec. 15, 2021], Available from internet URL: [https://www.amazon.com/VIVO-Screens-Portable-Adjustable-STAND-TV07/dp/B01CR4Y0XO/ref=psdc\\_3230976011\\_t2\\_B01K05LT6I](https://www.amazon.com/VIVO-Screens-Portable-Adjustable-STAND-TV07/dp/B01CR4Y0XO/ref=psdc_3230976011_t2_B01K05LT6I) (Year: 2016).\*

Yaheetech Floor TV Stand w/Mount, first available Aug. 24, 2021, amazon.com, [online], [site visited Dec. 15, 2021], Available from internet URL: [https://www.amazon.com/dp/B09DFGZ2WM/ref=sspa\\_dk\\_detail\\_0?psc=1&pd\\_rd\\_i=B09DFGZ2WM&pd\\_rd\\_w=iE7HG&pf\\_rd\\_p=9fd3ea7c-b77c-42ac-%E2%80%A61/8](https://www.amazon.com/dp/B09DFGZ2WM/ref=sspa_dk_detail_0?psc=1&pd_rd_i=B09DFGZ2WM&pd_rd_w=iE7HG&pf_rd_p=9fd3ea7c-b77c-42ac-%E2%80%A61/8) (Year: 2021).\*

Mobile TV Cart with Wheels, first available Apr. 12, 2021, amazon.com, [online], [site visited Dec. 15, 2021], Available from internet URL: [https://www.amazon.com/dp/B0928B49F3/ref=sspa\\_dk\\_detail\\_7?psc=1&pd\\_rd\\_i=B0928B49F3&pd\\_rd\\_w=iE7HG&pf\\_rd\\_p=9fd3ea7c-b77c-42ac-b43b%E2%80%A6](https://www.amazon.com/dp/B0928B49F3/ref=sspa_dk_detail_7?psc=1&pd_rd_i=B0928B49F3&pd_rd_w=iE7HG&pf_rd_p=9fd3ea7c-b77c-42ac-b43b%E2%80%A6) (Year: 2021).\*

\* cited by examiner

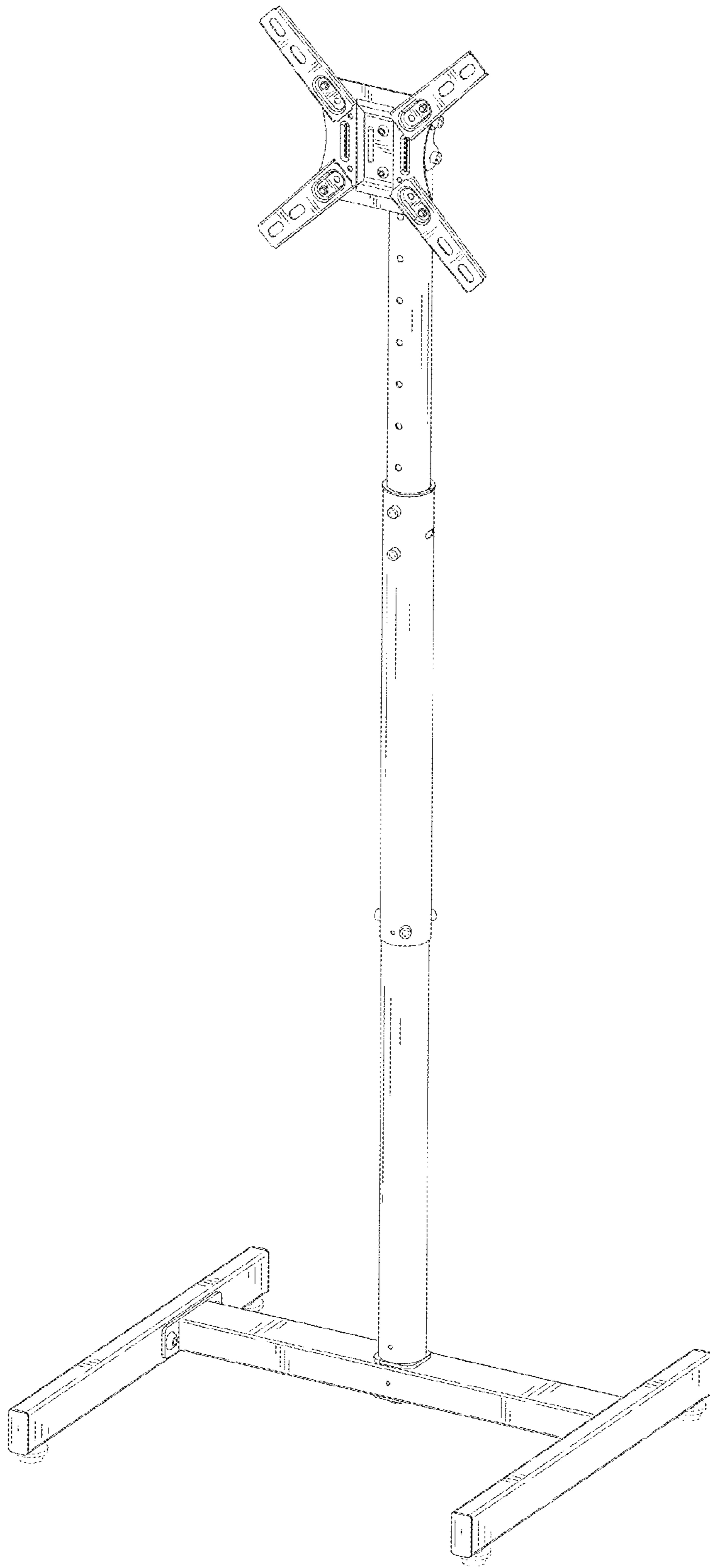


FIG. 1

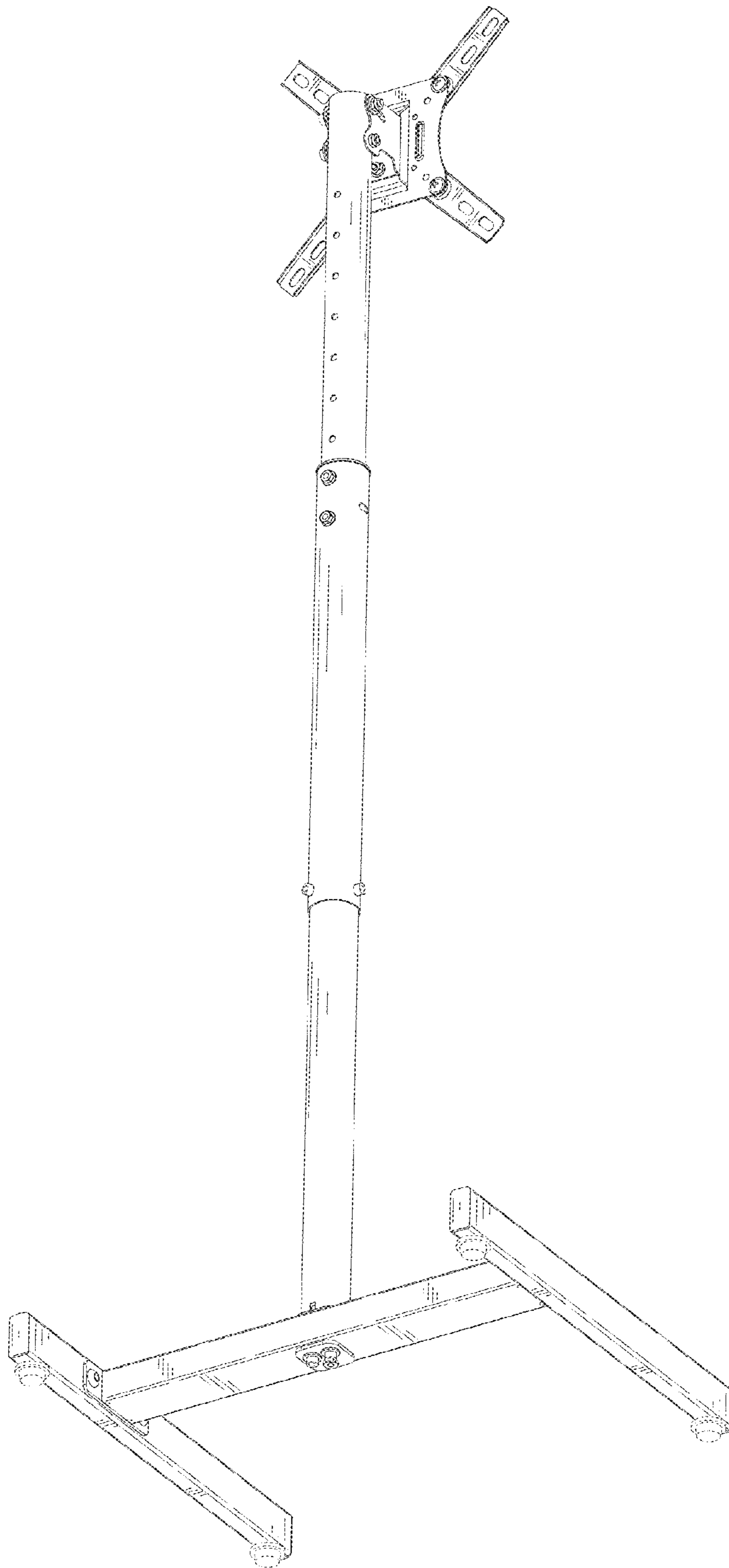


FIG. 2

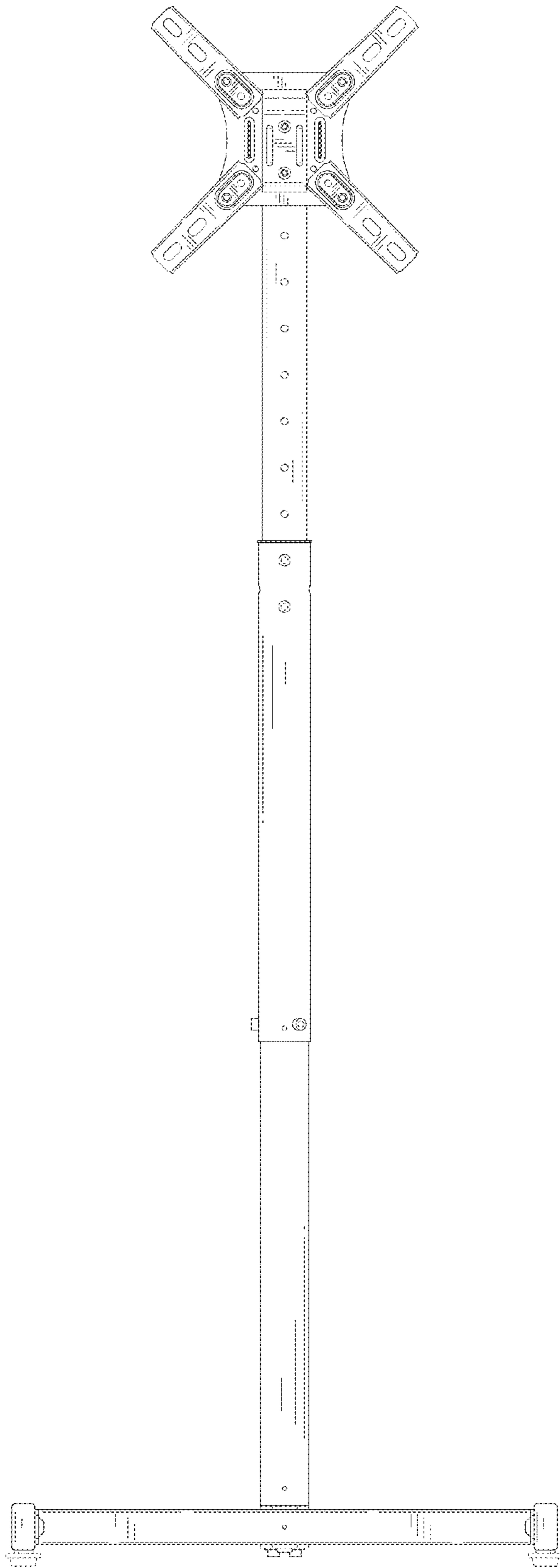


FIG. 3

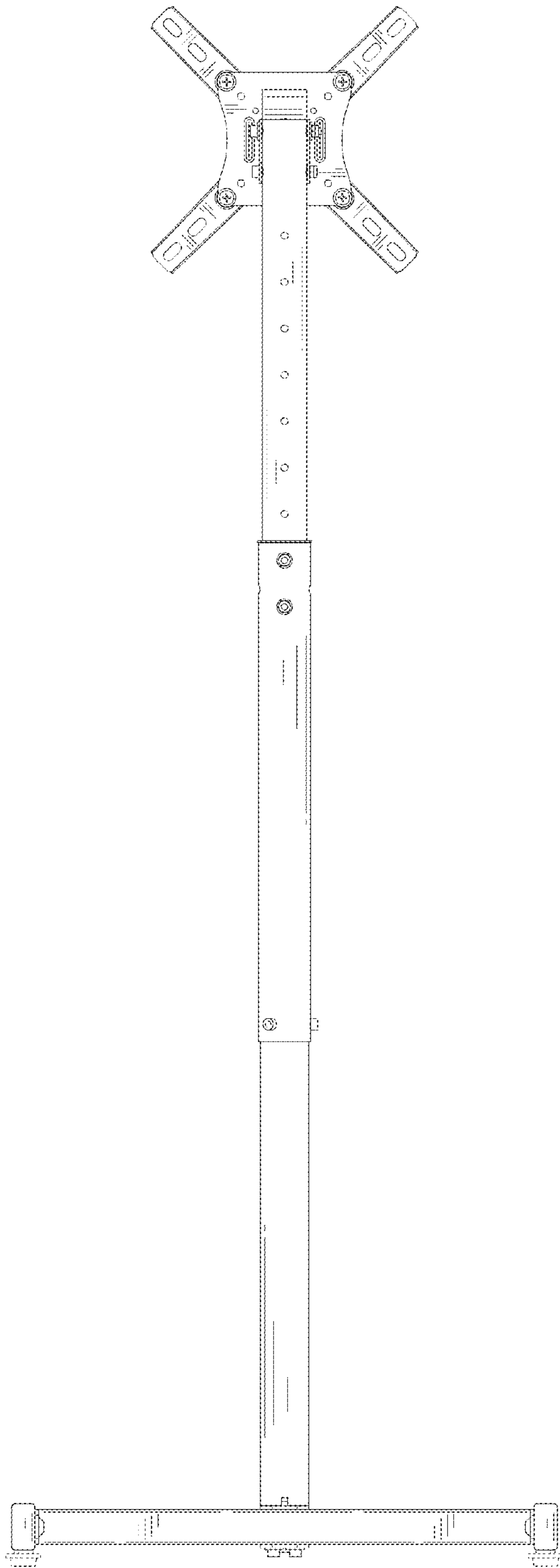


FIG. 4



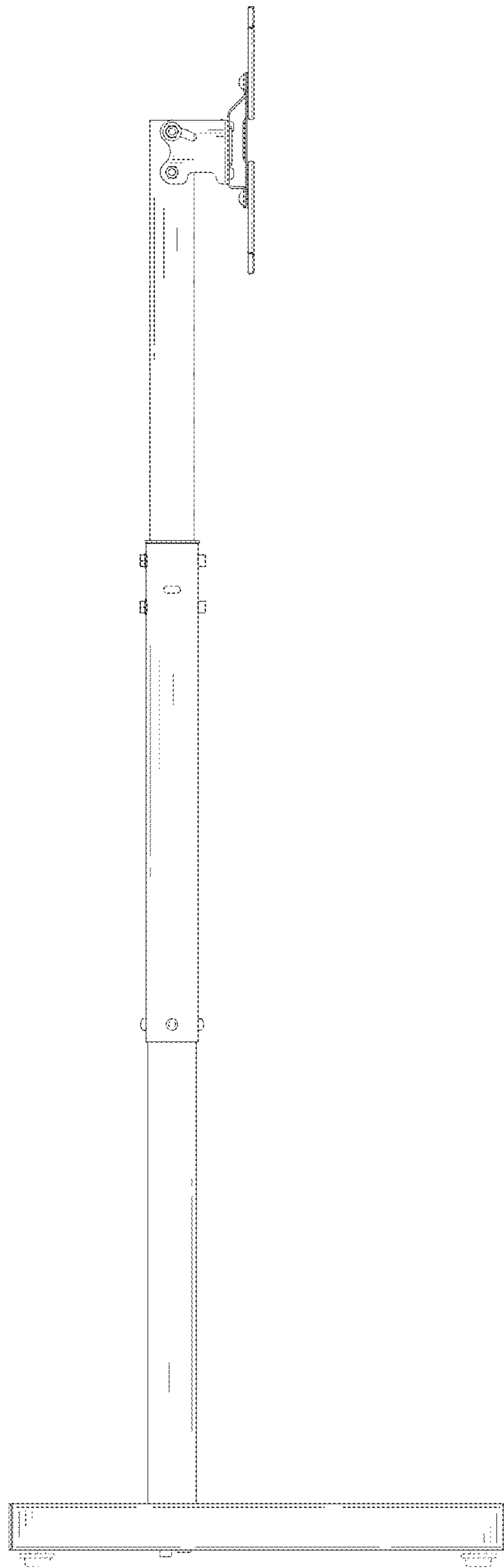


FIG. 5

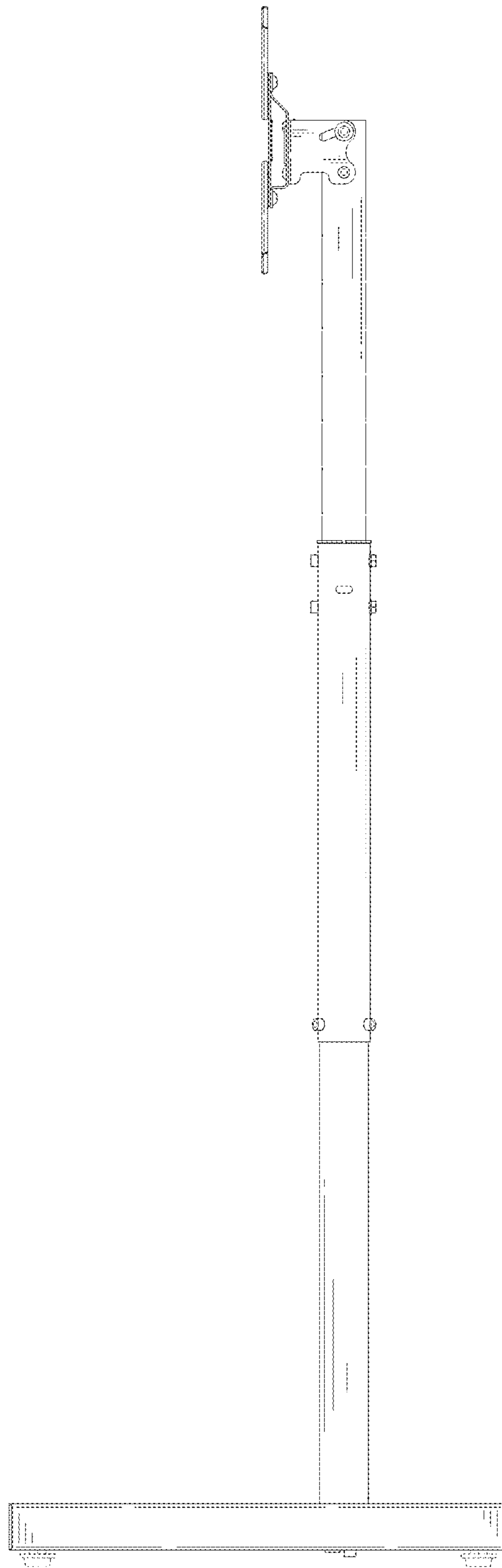


FIG. 6



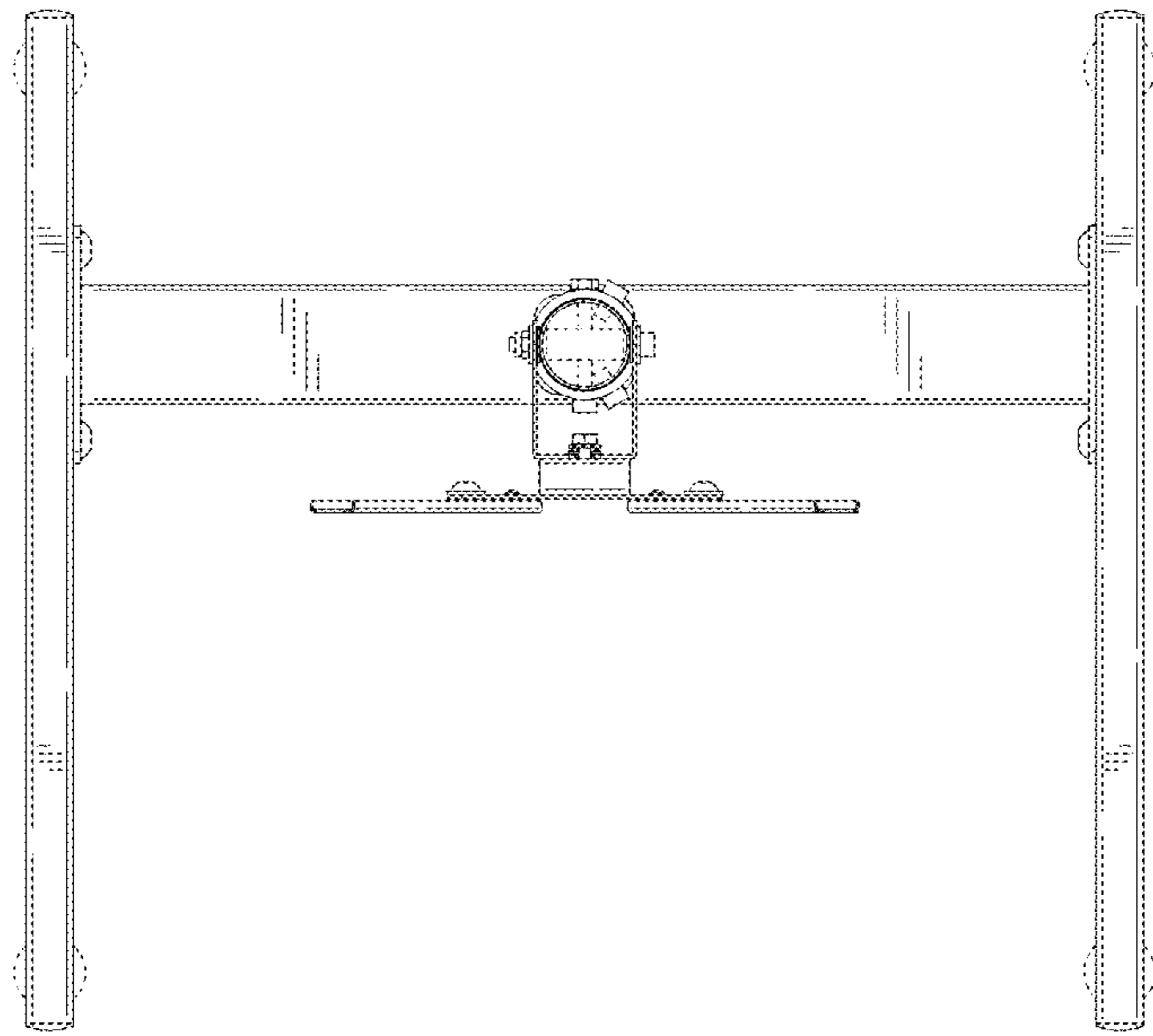


FIG. 7

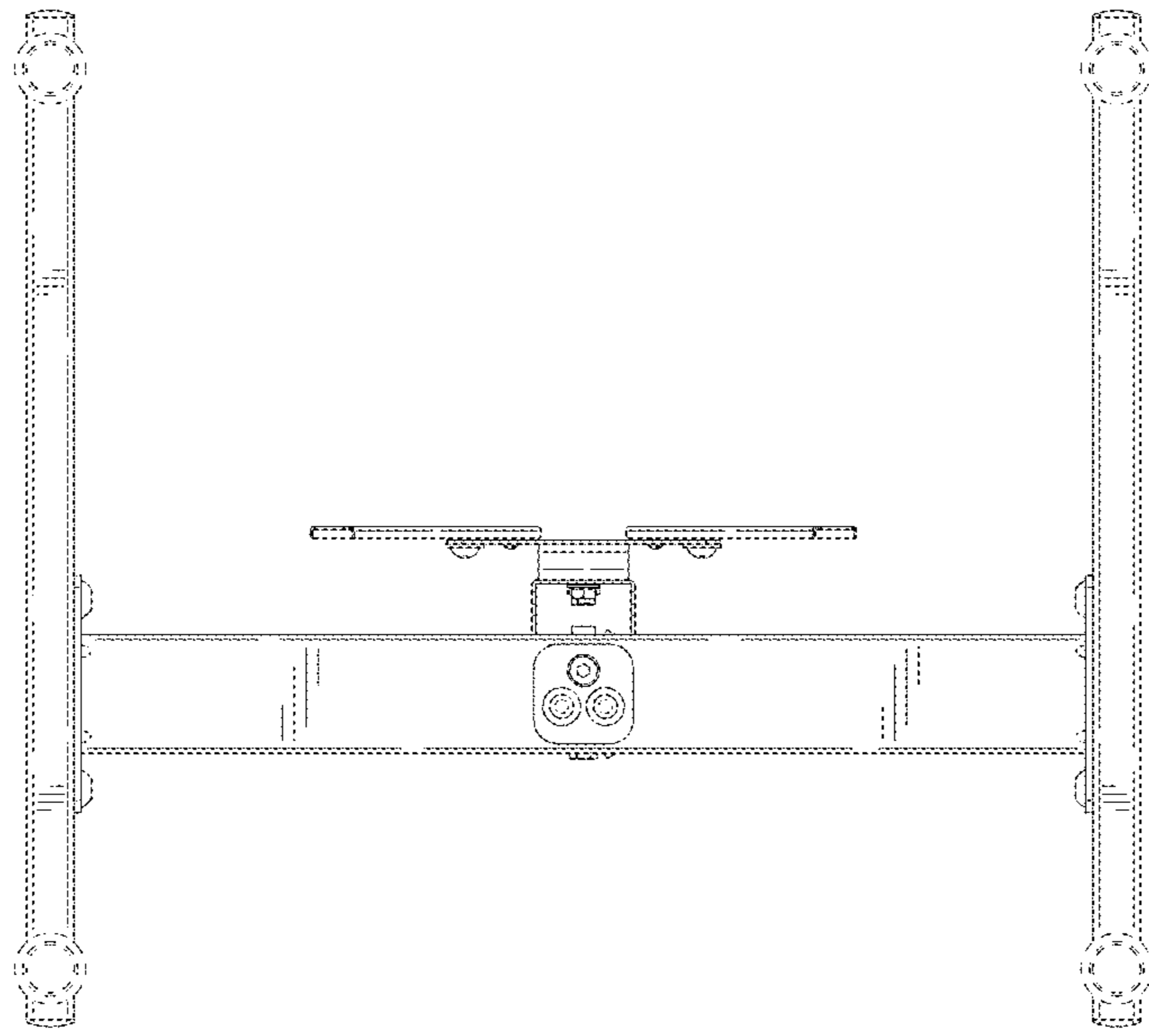


FIG. 8

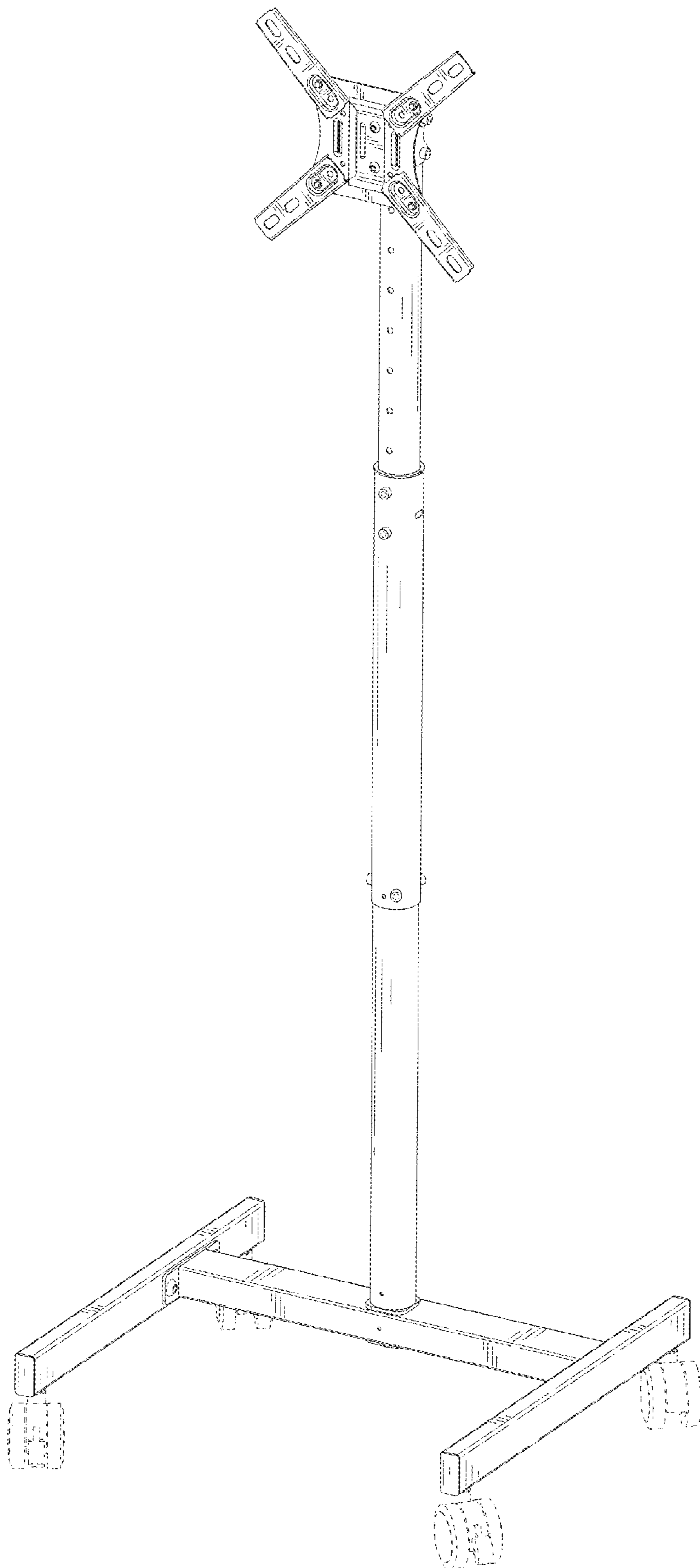


FIG. 9