



US00D944233S

(12) **United States Design Patent**
Fleming et al.

(10) **Patent No.:** **US D944,233 S**

(45) **Date of Patent:** **** Feb. 22, 2022**

(54) **UTILITY HEX POLE**

2011/0079116 A1* 4/2011 Hu B25G 1/04
81/177.2

(71) Applicants: **Trey L Fleming**, Little Rock, AR (US);
Ricky L Halbert, II, Little Rock, AR
(US)

* cited by examiner

Primary Examiner — Keli L Hill

Assistant Examiner — Harold E Blackwell, II

(72) Inventors: **Trey L Fleming**, Little Rock, AR (US);
Ricky L Halbert, II, Little Rock, AR
(US)

(74) *Attorney, Agent, or Firm* — Rashauna Norment

(57) **CLAIM**

The ornamental design for a utility hex pole, as shown and described.

(**) Term: **15 Years**

DESCRIPTION

(21) Appl. No.: **29/635,337**

FIG. 1 is a perspective view of a utility hex pole, showing our new design;

(22) Filed: **Jan. 30, 2018**

FIG. 2 is an enlarged partial view of the top portion as seen in FIG. 1 thereof;

(51) **LOC (13) Cl.** **14-03**

FIG. 3 is another perspective view of FIG. 1 thereof;

(52) **U.S. Cl.**

FIG. 4 is a top plan view of FIG. 1 thereof;

USPC **D14/238**

FIG. 5 is a bottom plan view of FIG. 1 thereof;

(58) **Field of Classification Search**

FIG. 6 is a side elevation view of FIG. 1 thereof;

USPC D8/17-29, 52, 55, 81-87, 102-107,
D8/98-99, 93, 94; D25/126; D14/238

FIG. 7 is an opposite side elevation view of FIG. 1 thereof;

CPC H02S 20/20; H02S 20/10

FIG. 8 is a perspective view of FIG. 1 thereof, showing the utility hex pole in use;

See application file for complete search history.

FIG. 9 is a perspective view of a second embodiment of the hex pole of FIG. 1 thereof;

(56) **References Cited**

FIG. 10 is another perspective view of FIG. 9 thereof;

U.S. PATENT DOCUMENTS

FIG. 11 is a side elevation view of FIG. 9 thereof; and,

D407,303 S * 3/1999 Engberg D8/402

FIG. 12 is an opposite side elevation view of FIG. 9 thereof.

D464,545 S * 10/2002 Marty D8/21

The broken lines in FIGS. 2 and 8 illustrate portions and environment of the utility hex pole which form no part of the claimed design. The bottom plan view for the second embodiment is the same as the bottom plan view shown in FIG. 5, and is therefore not depicted.

D547,624 S * 7/2007 Strahorn D8/21

The utility hex pole is shown in FIGS. 9-11 with a symbolic break in its length. The appearance of any portion of the article between the break lines forms no part of the claimed design.

D552,442 S * 10/2007 Hutchings D8/29

D552,949 S * 10/2007 Strahorn D8/21

8,307,743 B2 * 11/2012 Hsu B25G 1/043
81/438

D688,544 S * 8/2013 Evans D8/29

9,062,662 B1 6/2015 Johnson et al.

D737,605 S 9/2015 Hornsby

D842,214 S * 3/2019 Caldwell D12/317

D885,860 S * 6/2020 Sperber D8/28

1 Claim, 7 Drawing Sheets

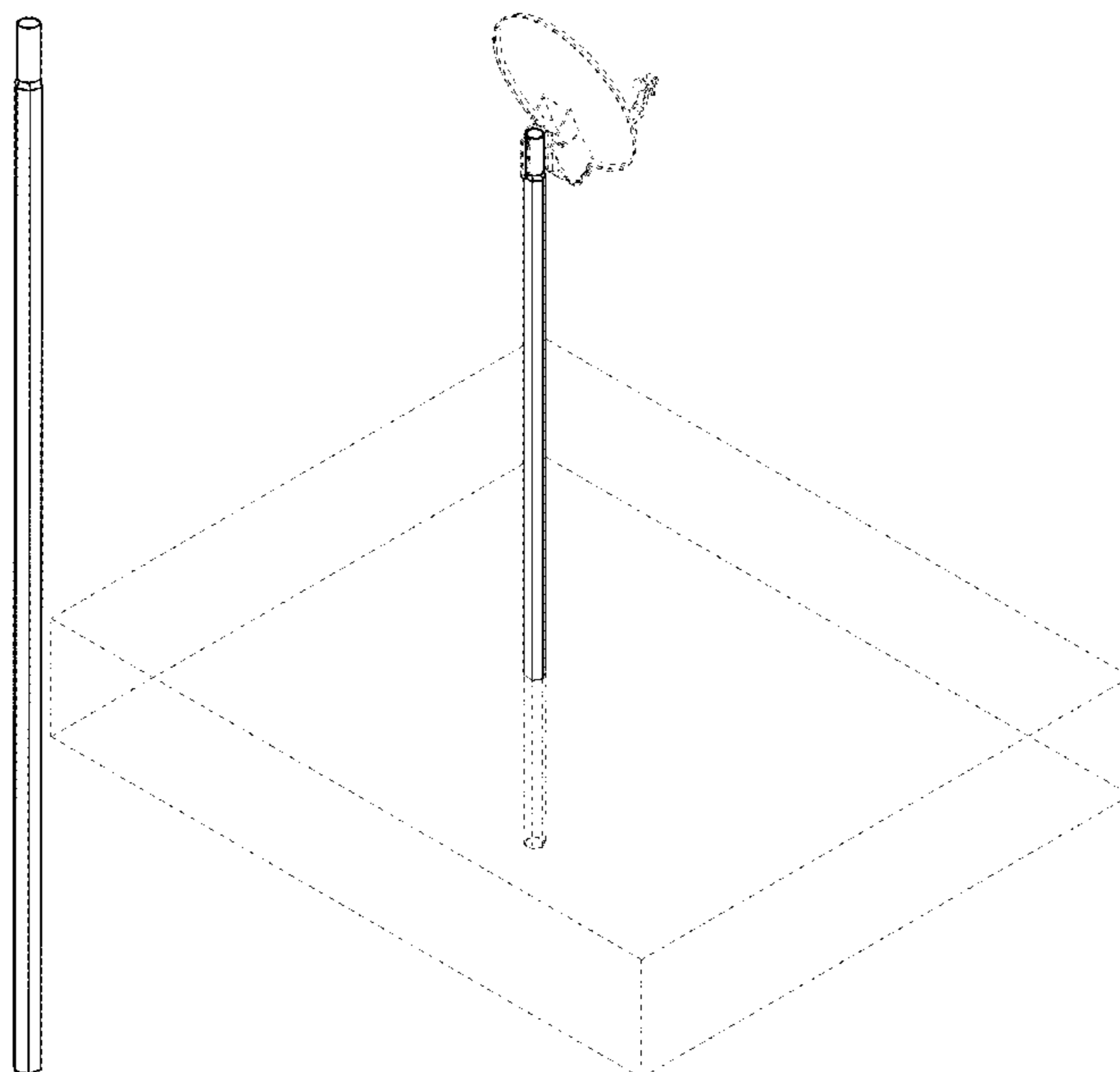




Fig. 1

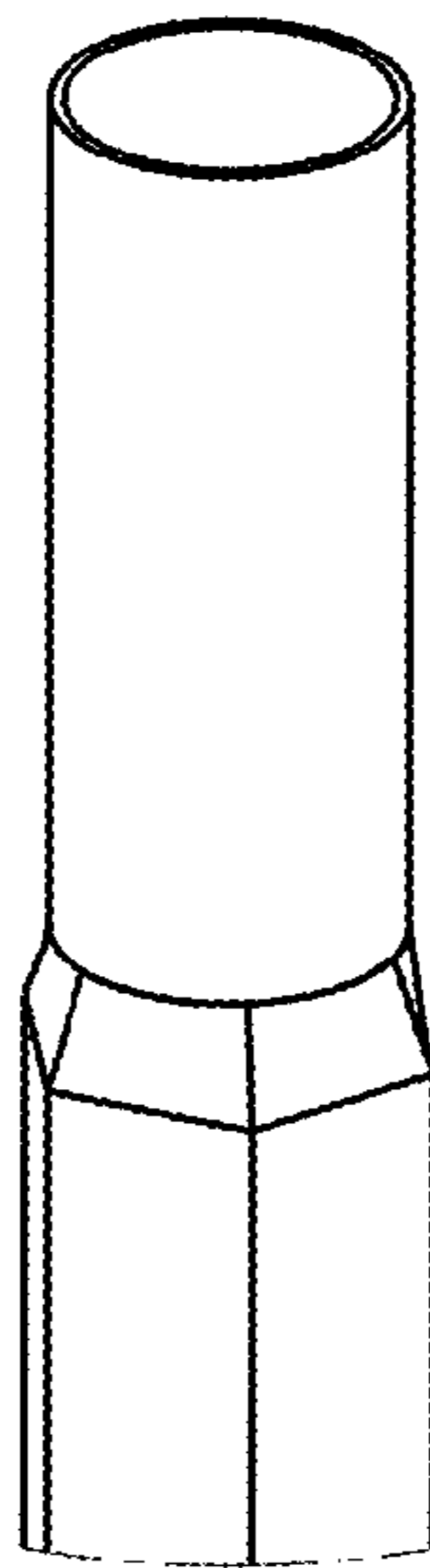


Fig. 2

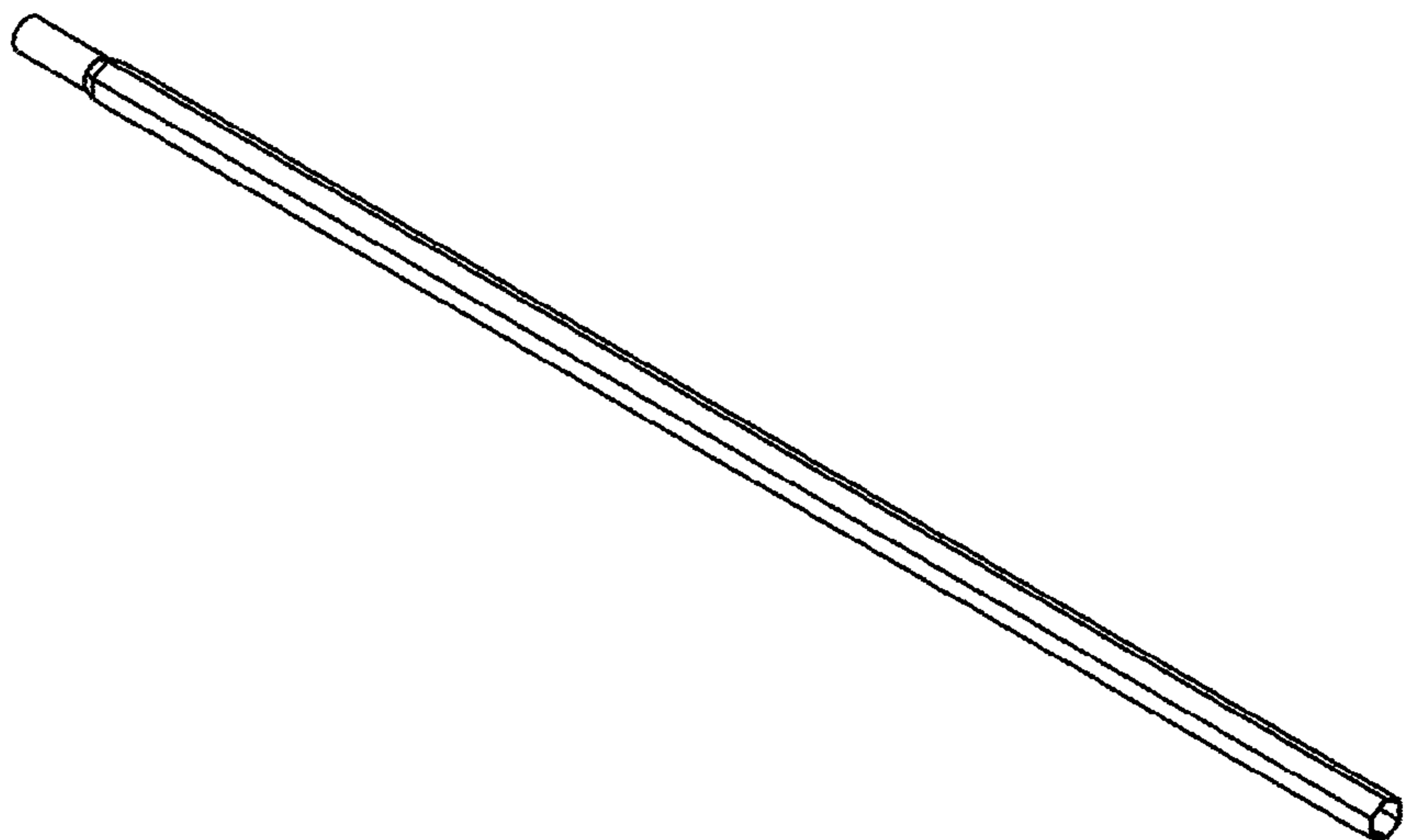


Fig. 3

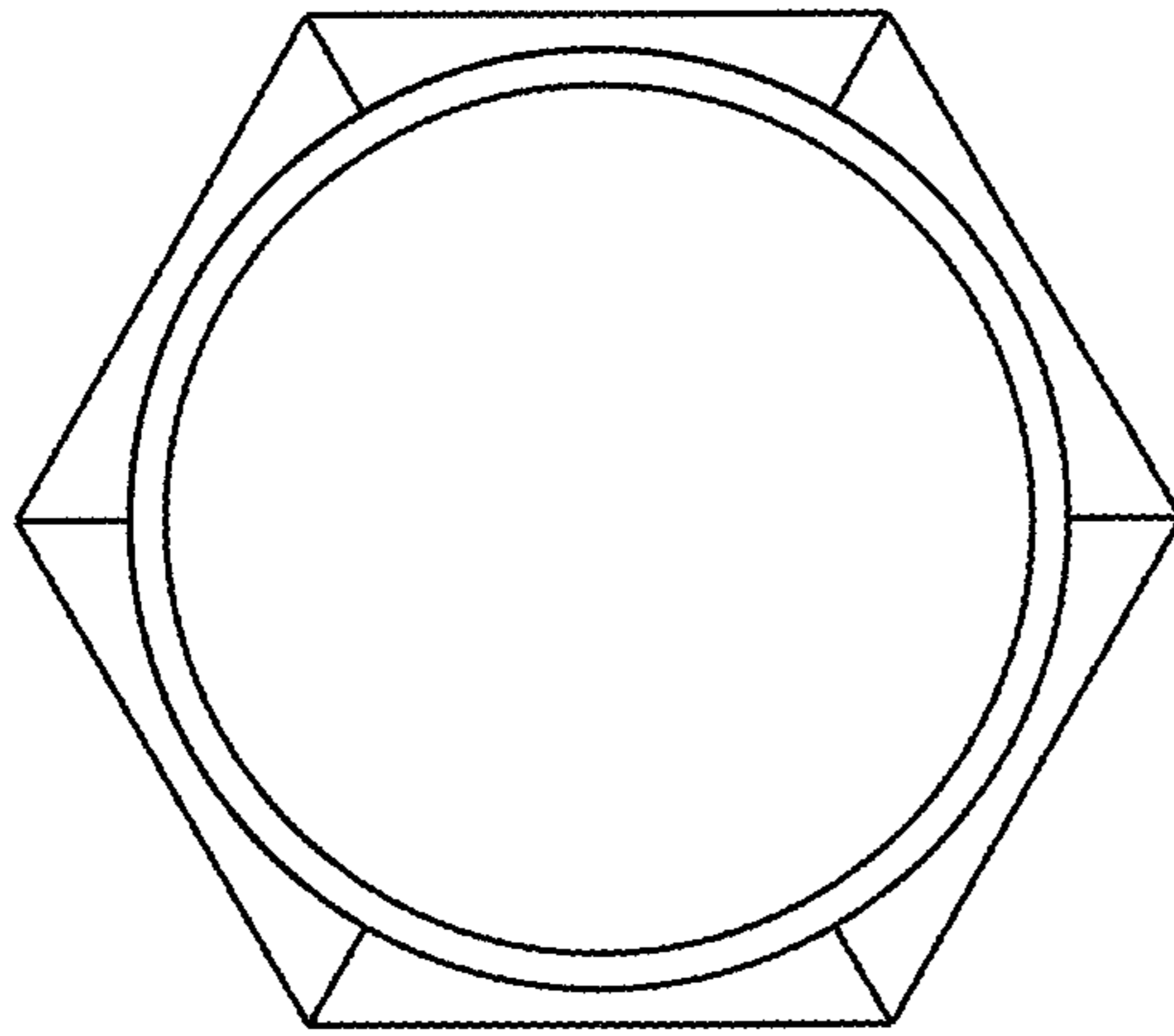


Fig. 4

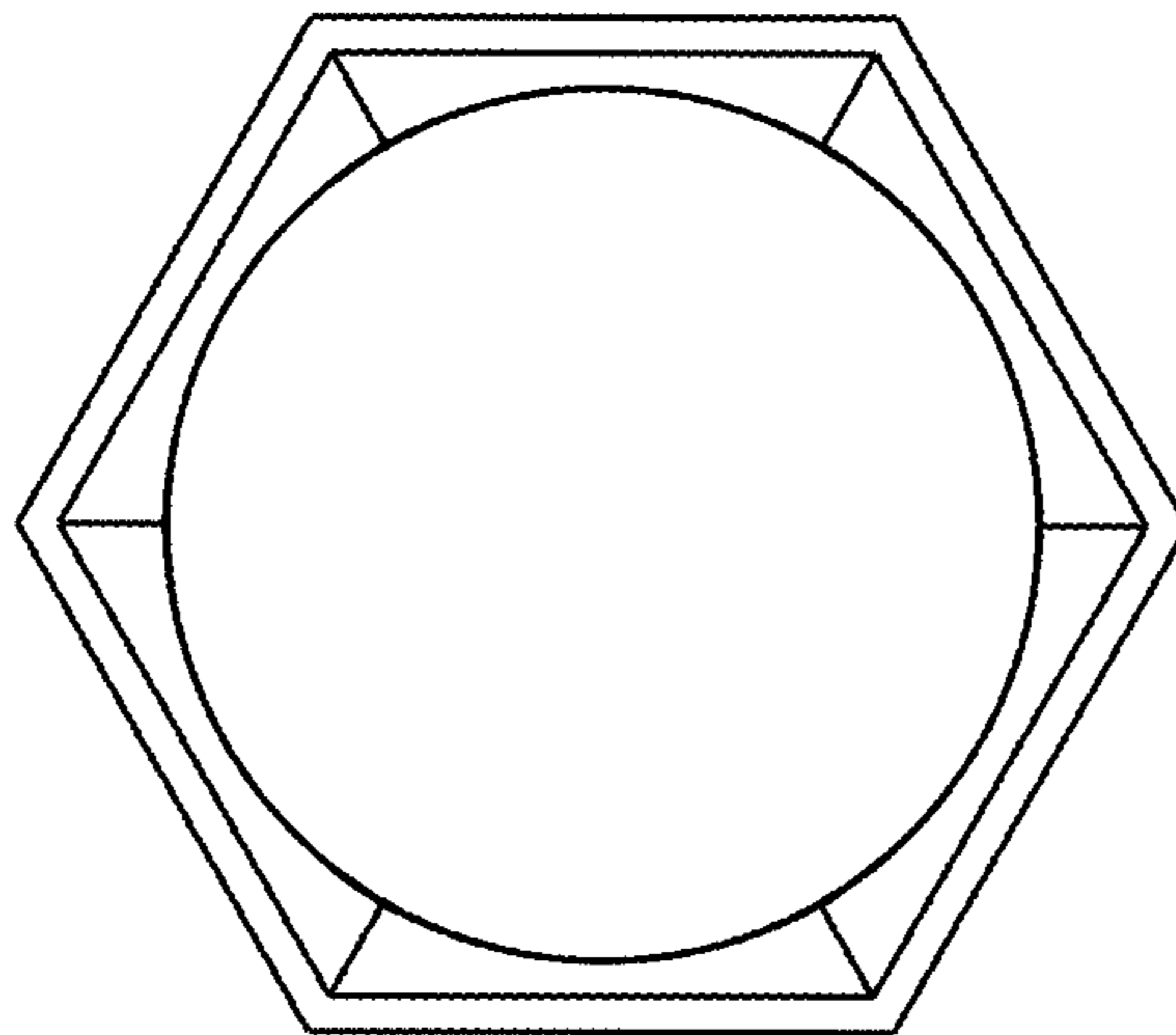


Fig. 5

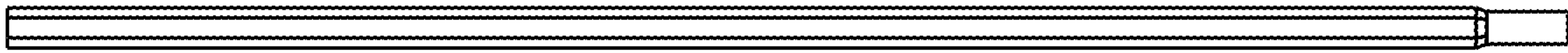


Fig. 6

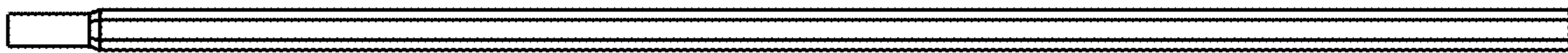


Fig. 7

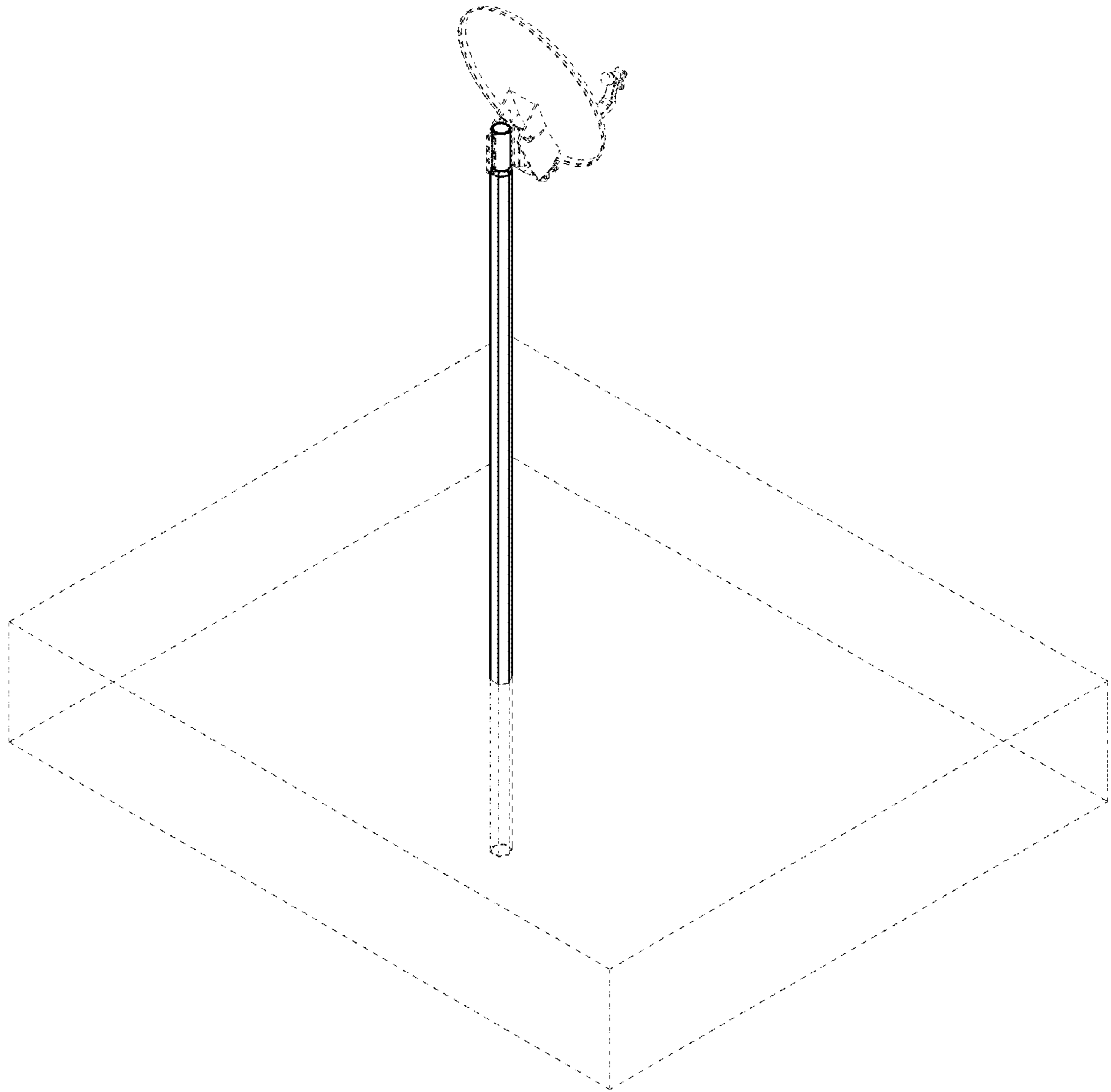


Fig. 8

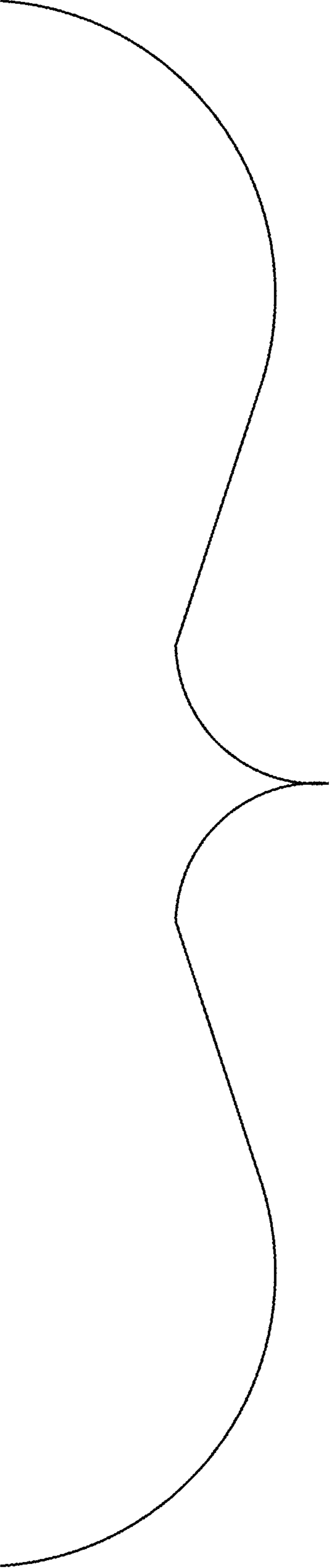
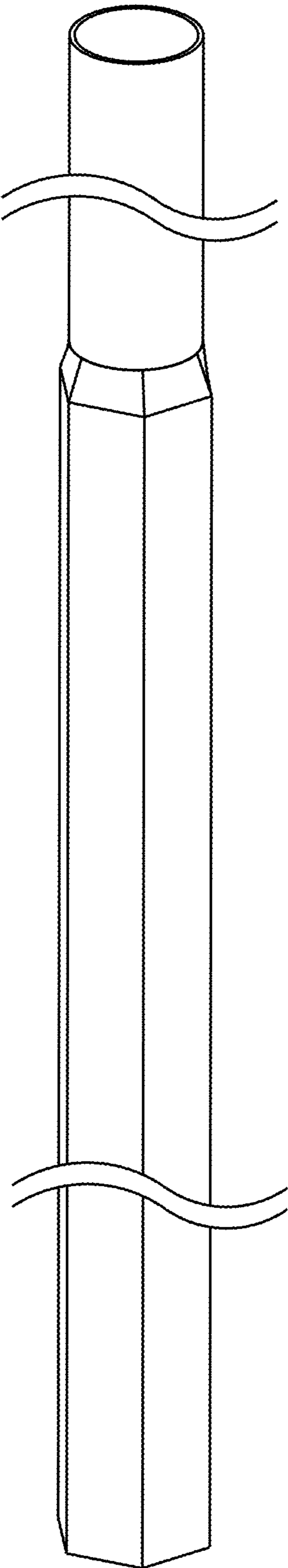
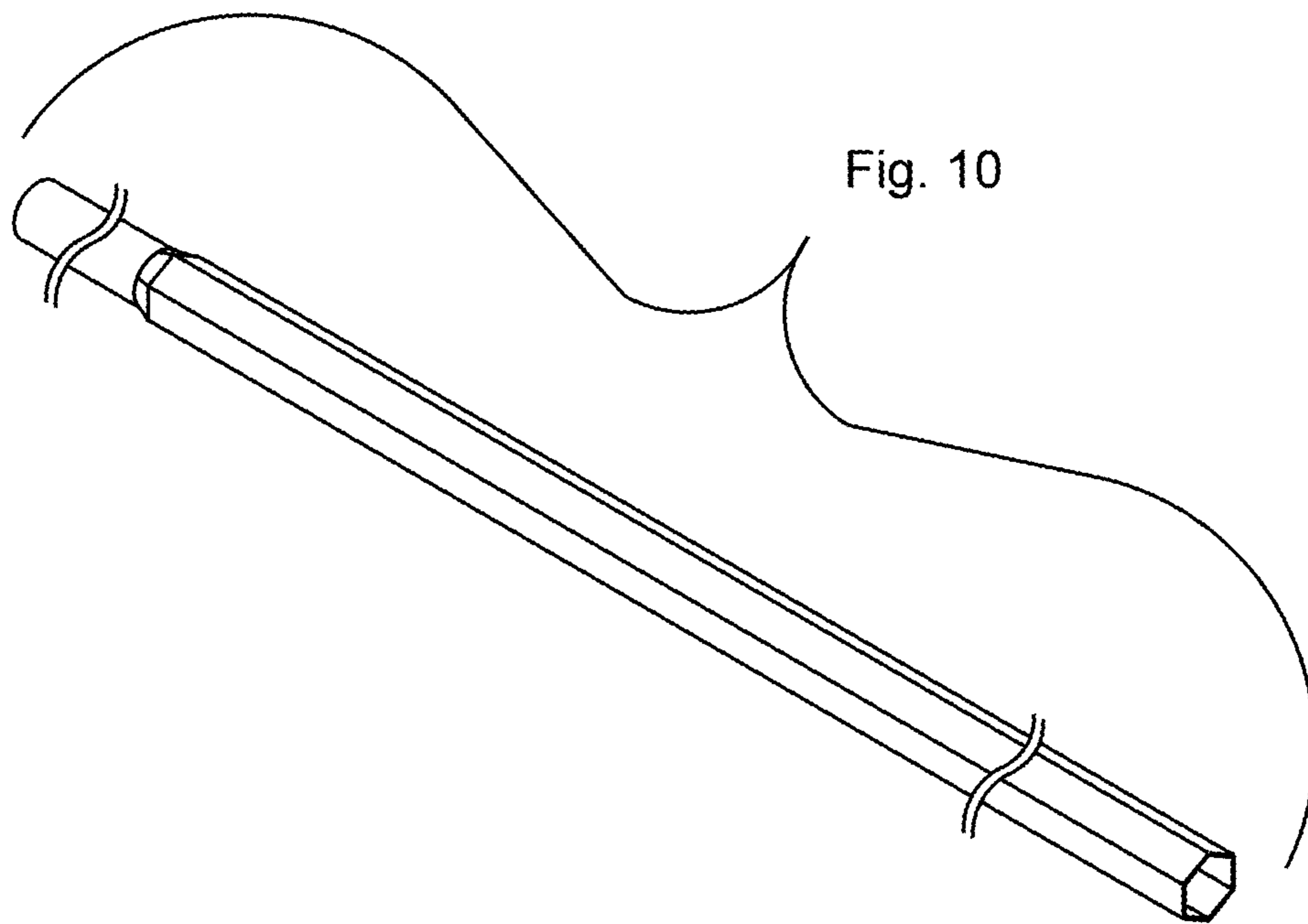


Fig. 9



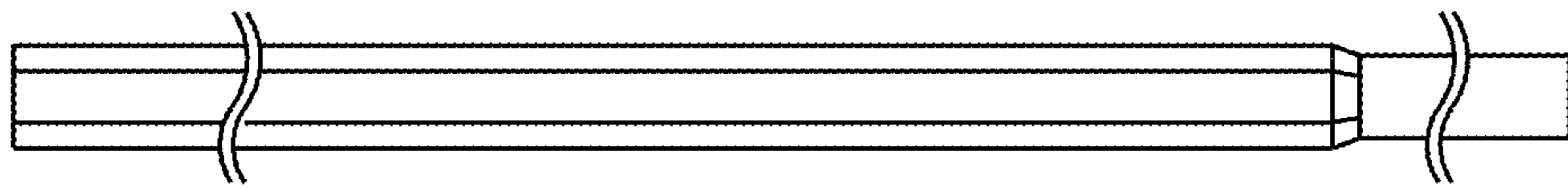


Fig. 11

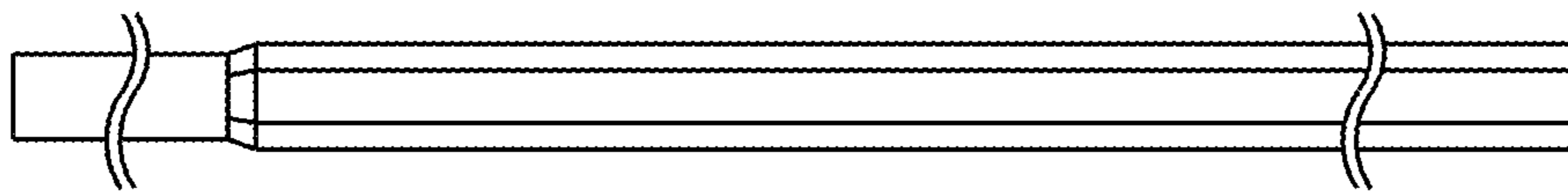


Fig. 12