



US00D944230S

(12) **United States Design Patent**
Huang

(10) **Patent No.:** **US D944,230 S**

(45) **Date of Patent:** **** Feb. 22, 2022**

(54) **WIRELESS SPEAKER LIGHT**

(71) Applicant: **Maojun Huang**, Guangdong (CN)

(72) Inventor: **Maojun Huang**, Guangdong (CN)

(**) Term: **15 Years**

(21) Appl. No.: **29/753,607**

(22) Filed: **Oct. 1, 2020**

(51) **LOC (13) Cl.** **14-01**

(52) **U.S. Cl.**

USPC **D14/216; D26/52**

(58) **Field of Classification Search**

USPC D14/167, 168, 170–172, 188, 194–196,
D14/204, 209.1, 210–216, 219, 221, 222,
D14/224, 239, 496; D26/1, 26, 38, 51,
D26/52; D10/1, 2, 22

CPC B60R 11/0217; G06F 1/1688; G10K 9/22;
G10K 11/004; H03F 1/327; H04M 1/03;
H04M 1/035; H04N 5/642; H04N
21/4852; H04R 1/02; H04R 1/06; H04R
1/021; H04R 1/025; H04R 1/026; H04R
1/028; H04R 1/105; H04R 1/323; H04R
1/403; H04R 1/2803; H04R 1/2834;
H04R 5/02; H04R 7/20; H04R 9/06;
H04R 9/025; H04R 2201/021; H04R
2400/00; H04R 2400/07; H04R 2499/11;
H04R 2499/13; H04R 2499/15; H04S
3/00; H04S 7/30; F21L 4/00; F21L 4/02;
F21L 4/04; F21L 4/005; F21L 4/025;
F21L 4/027; F21V 7/00; F21V 23/02;
F21V 33/0056

See application file for complete search history.

(56) **References Cited**

U.S. PATENT DOCUMENTS

D514,548 S * 2/2006 Chan D14/216
D758,349 S * 6/2016 Chen D14/216

D766,878 S * 9/2016 Park D14/216
D770,415 S * 11/2016 Pellisari D14/216
D772,457 S * 11/2016 Lee D26/52
D793,869 S * 8/2017 Jeon D10/2
D813,192 S * 3/2018 Zeng D14/204
D838,886 S * 1/2019 Chen D26/52
D844,875 S * 4/2019 Jeon D26/51
D868,735 S * 12/2019 Aicheng D14/207
D869,428 S * 12/2019 Vaclavik D14/204
D884,673 S * 5/2020 Han D14/216
D885,368 S * 5/2020 Yanjie D14/216
D891,393 S * 7/2020 Lalvani D14/204
D892,076 S * 8/2020 Wu D14/204
D931,830 S * 9/2021 He D14/204
D933,040 S * 10/2021 Lin D14/204

* cited by examiner

Primary Examiner — Keli L Hill

(57) **CLAIM**

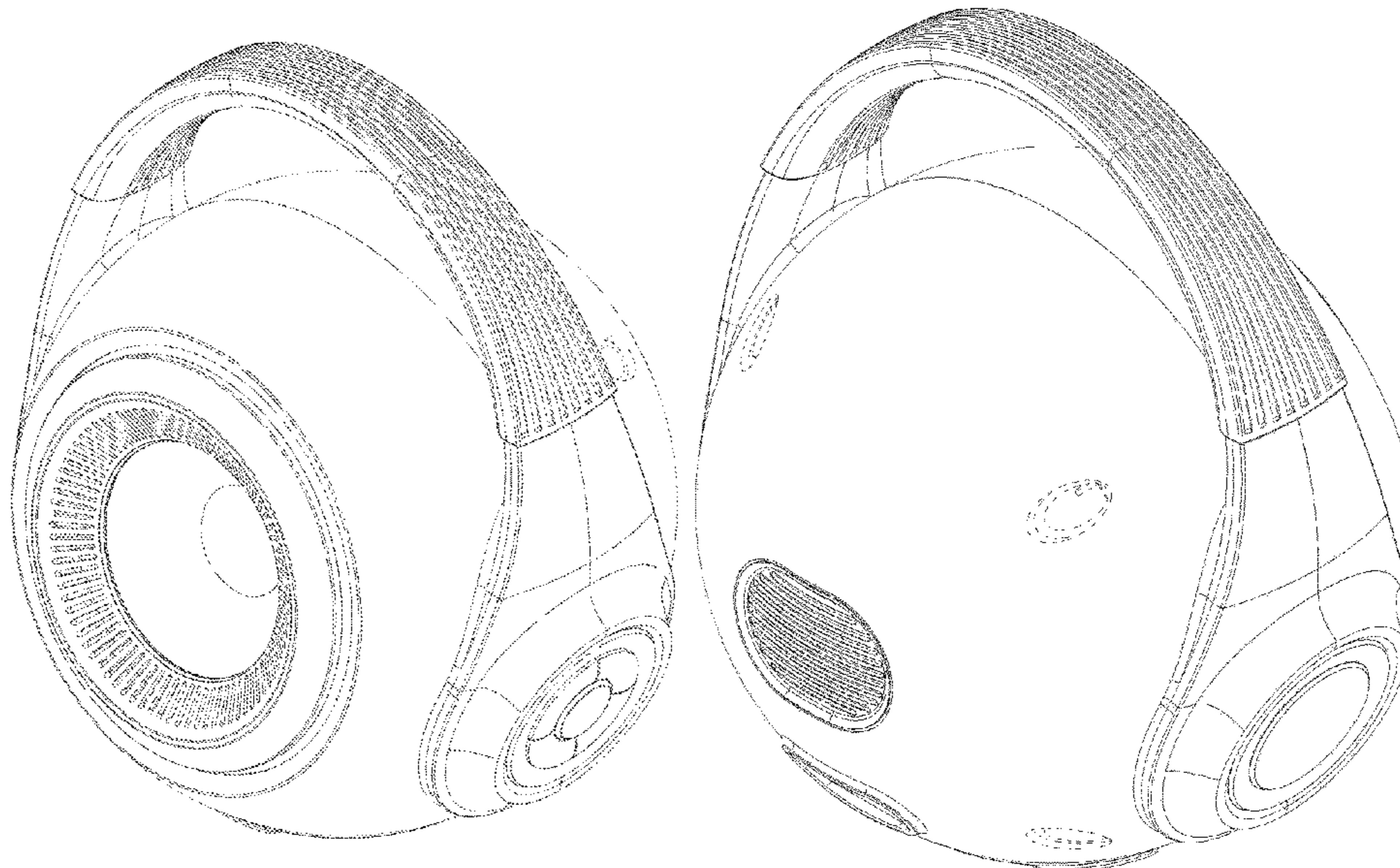
The ornamental design for a wireless speaker light, as shown and described.

DESCRIPTION

FIG. 1 and FIG. 2 are perspective views of a wireless speaker light showing my new design; FIG. 3 is a back view thereof; FIG. 4 is front view thereof; FIG. 5 is a right side view thereof; FIG. 6 is a left side view thereof; FIG. 7 is a top view thereof; and, FIG. 8 is a bottom view thereof.

The broken lines in the drawings show portions of the wireless speaker light that form no part of the claimed design.

1 Claim, 8 Drawing Sheets



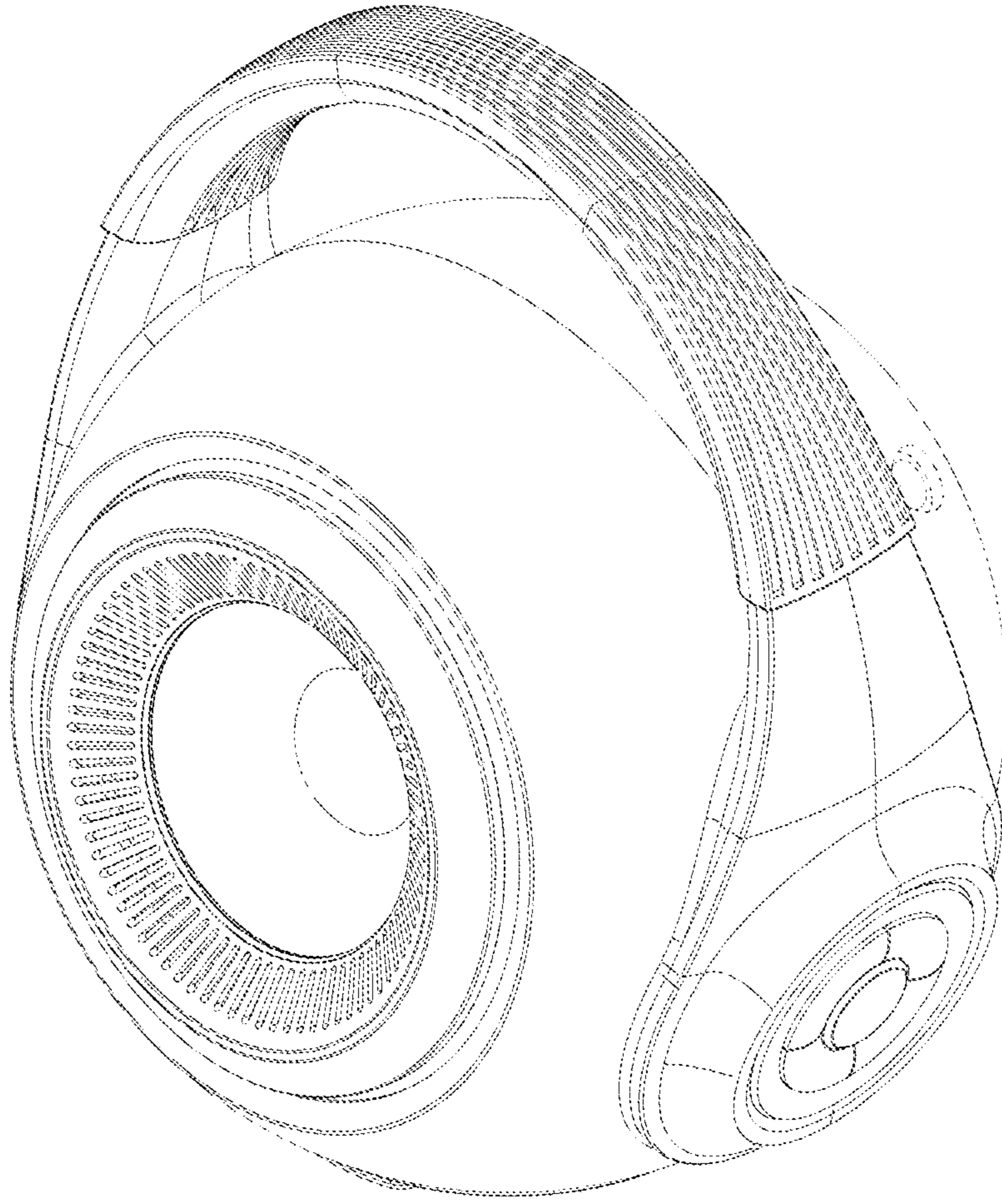


FIG 1

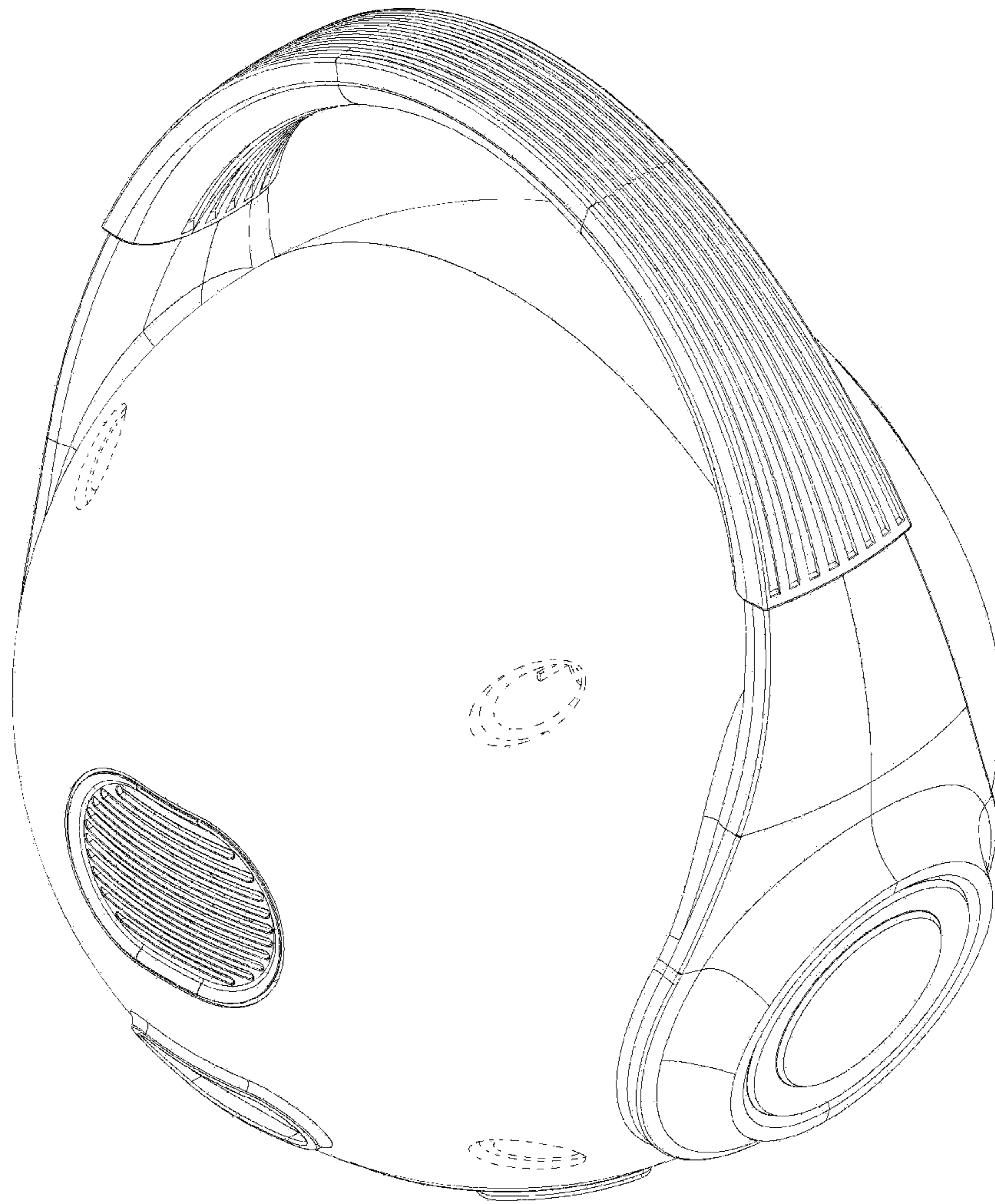


FIG 2

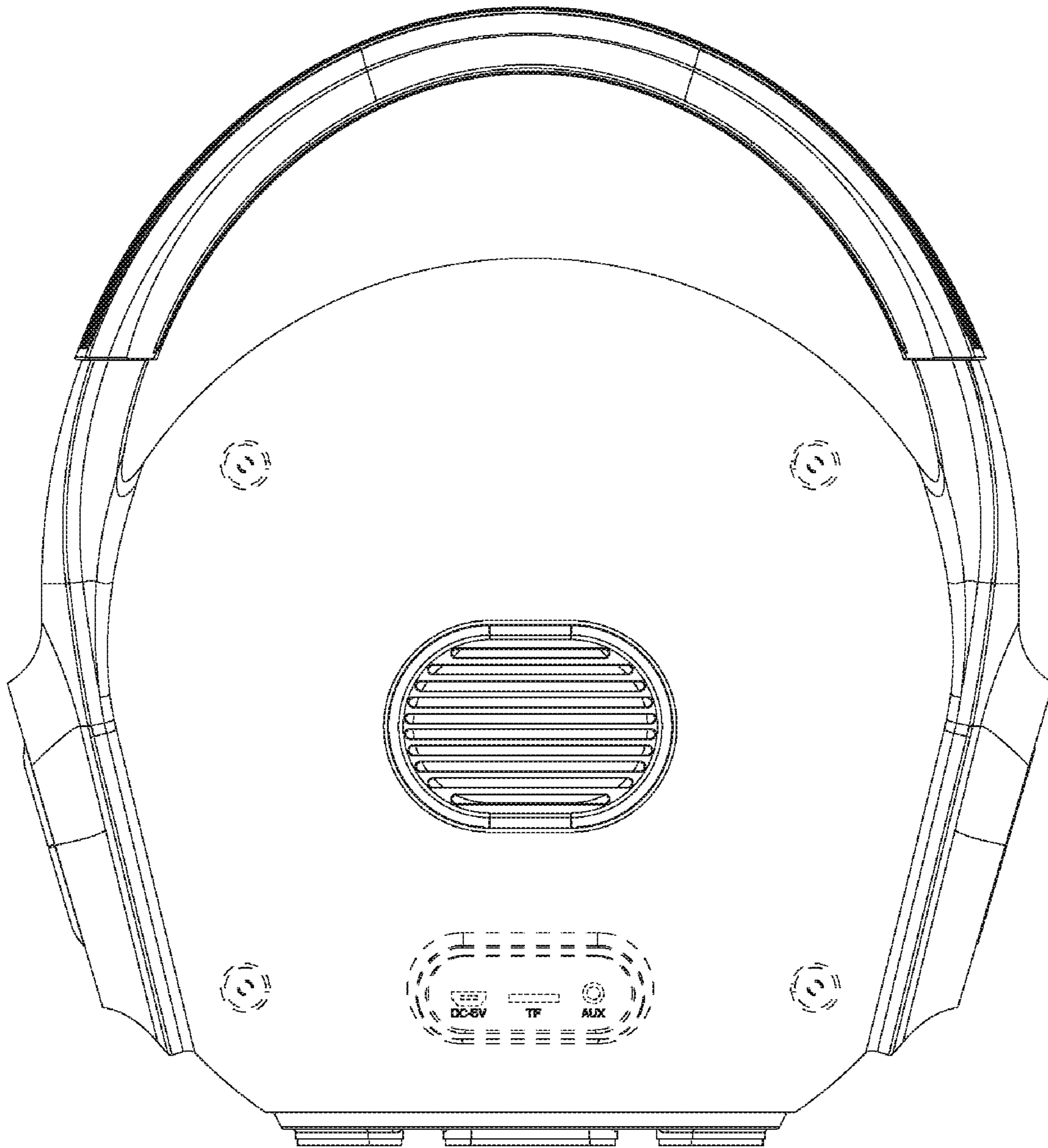


FIG 3

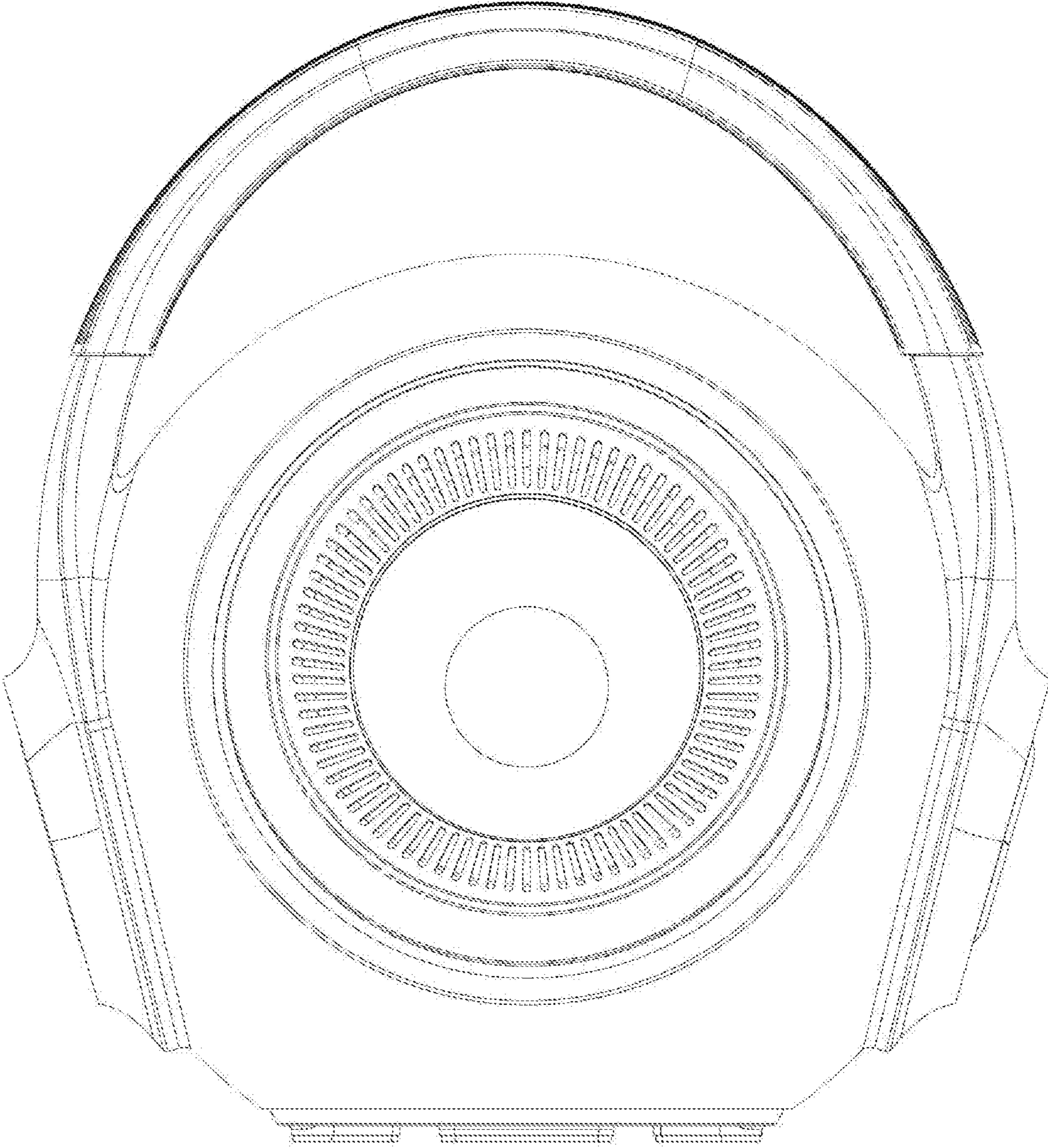


FIG 4

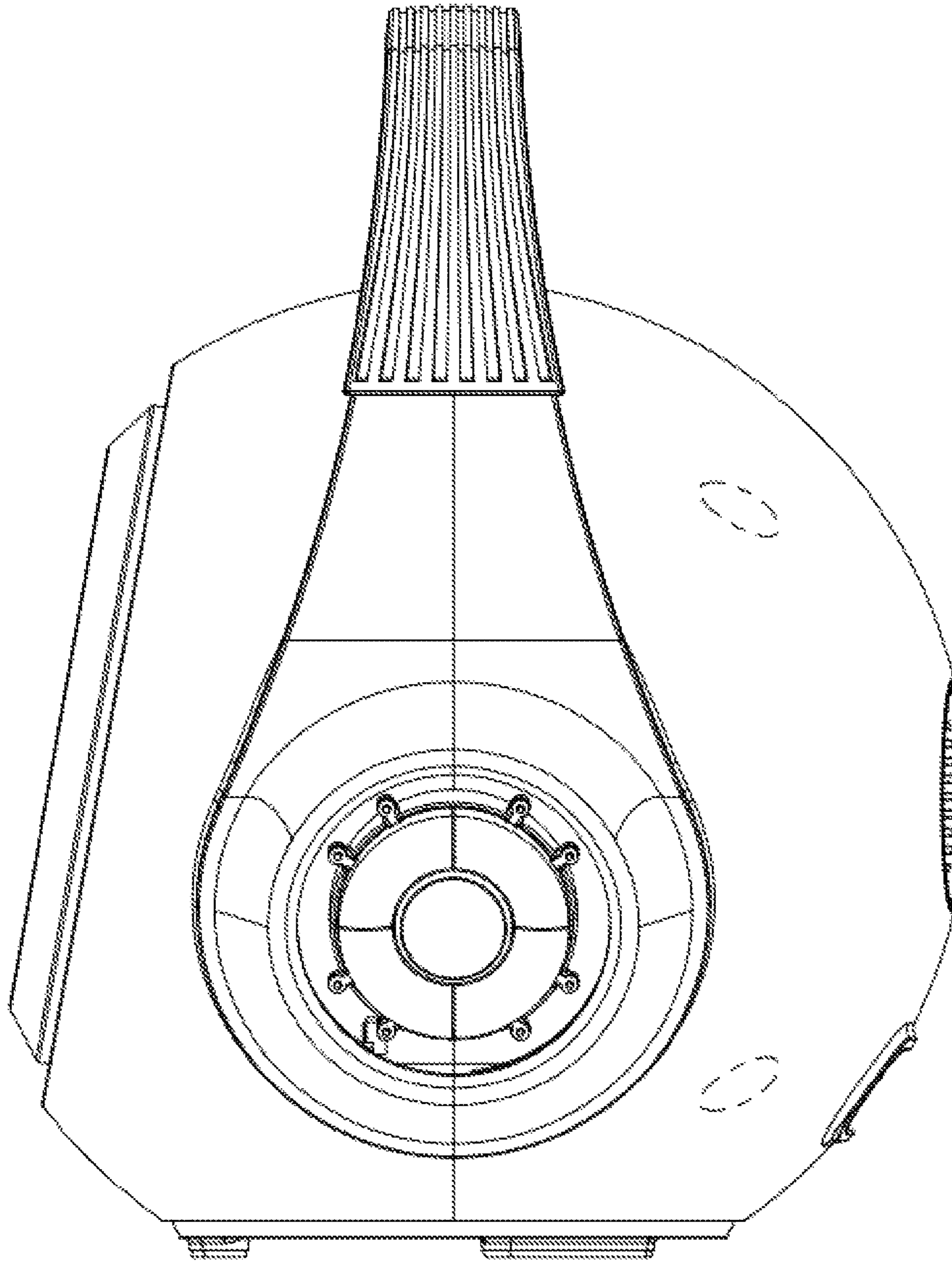


FIG 5

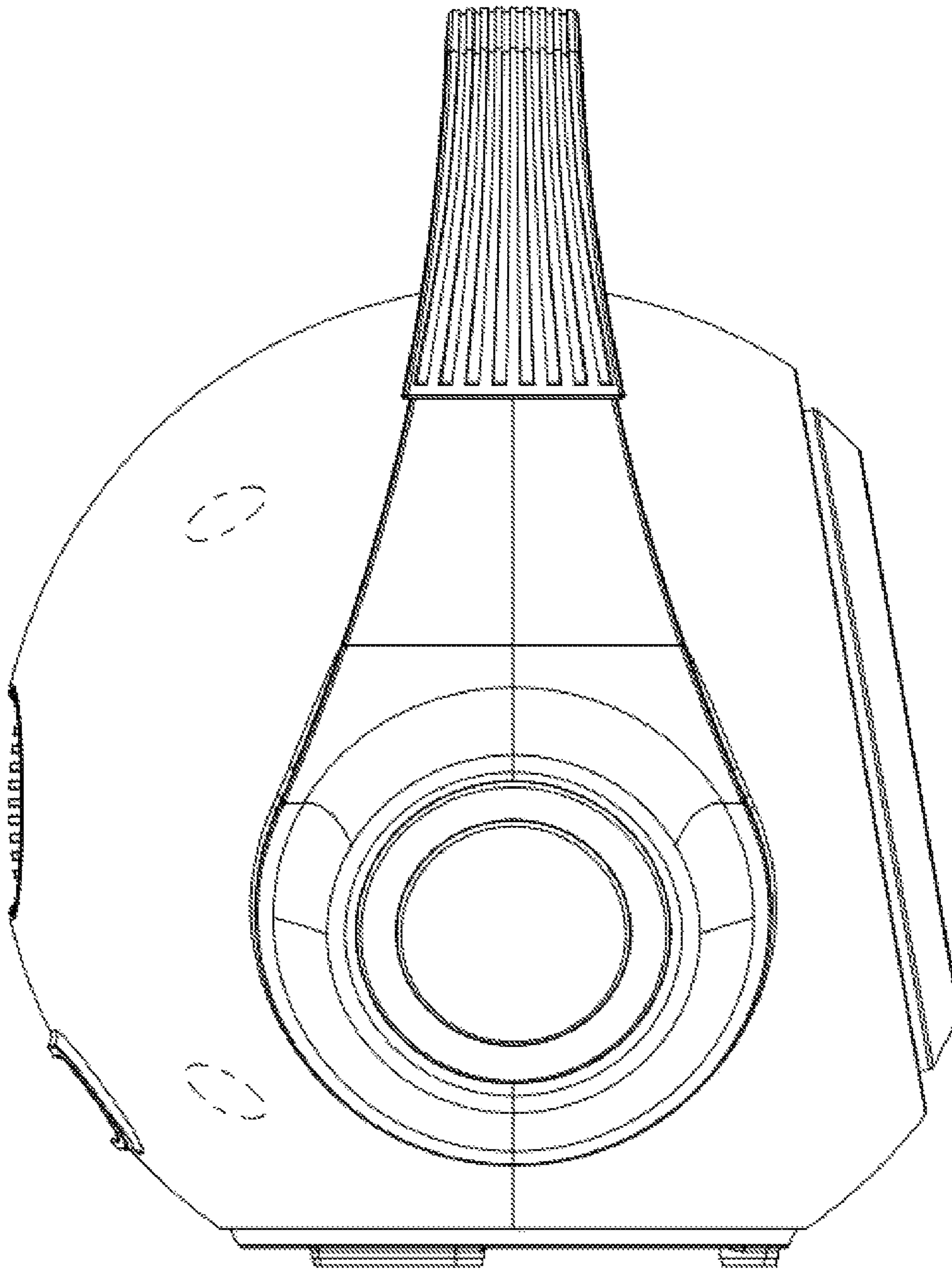


FIG 6

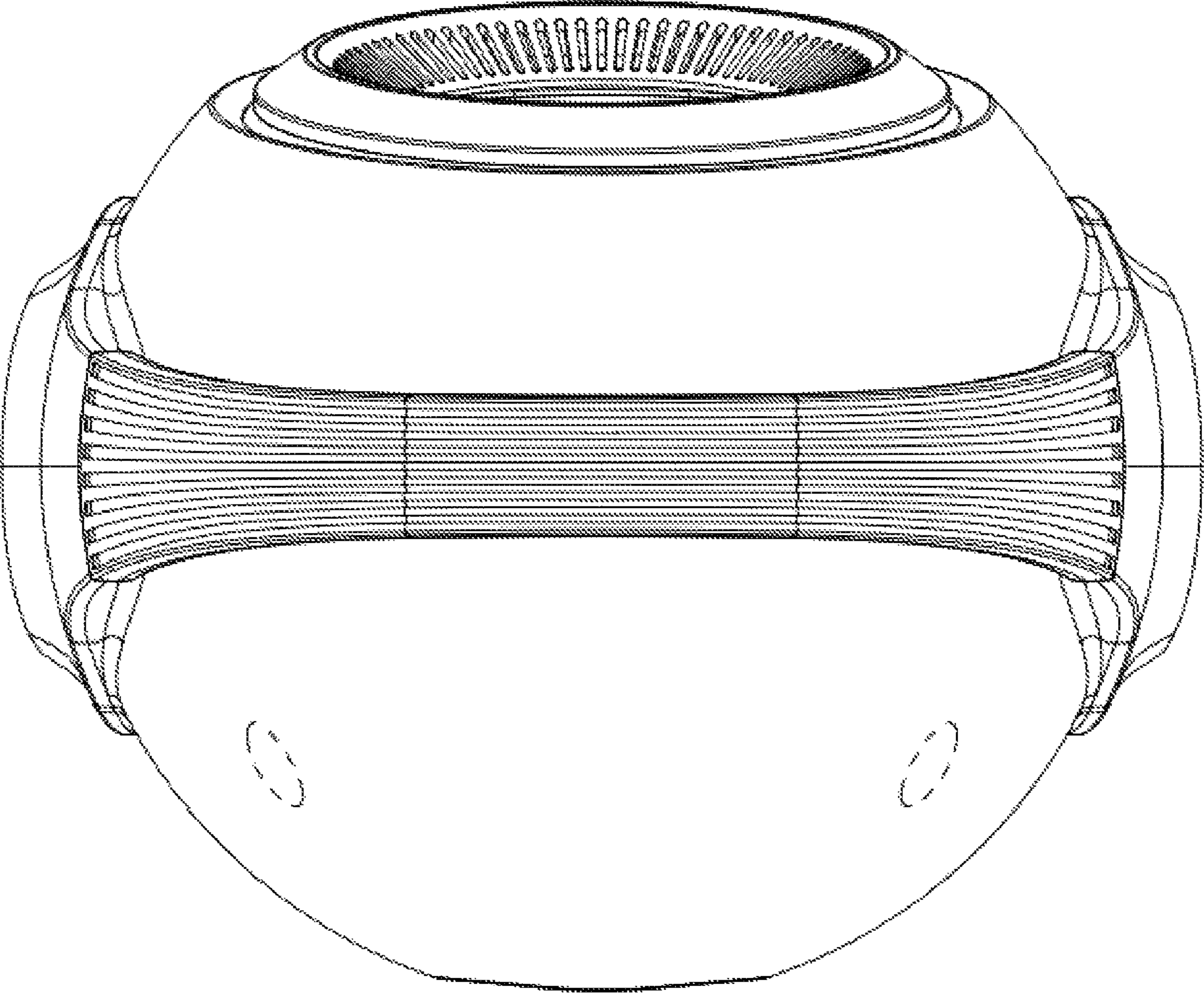


FIG 7

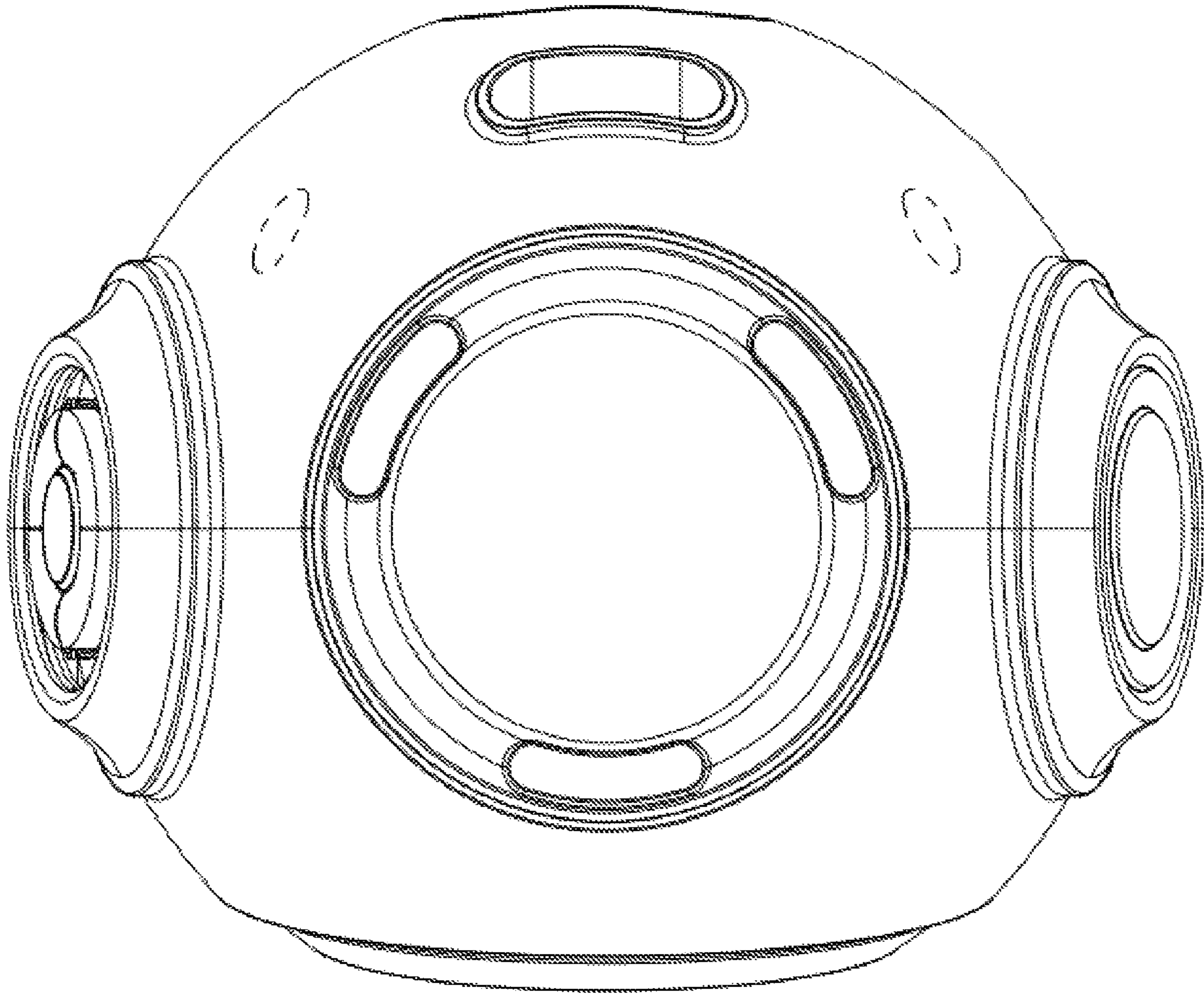


FIG 8