



US00D944229S

(12) **United States Design Patent** (10) **Patent No.:** **US D944,229 S**  
**Puckett et al.** (45) **Date of Patent:** **\*\* Feb. 22, 2022**

(54) **LOUDSPEAKER**  
(71) Applicant: **Bose Corporation**, Framingham, MA (US)  
(72) Inventors: **Scott Puckett**, West Warwick, RI (US); **Richard J. Carbone**, Sterling, MA (US)  
(73) Assignee: **Bose Corporation**, Framingham, MA (US)  
(\*\*) Term: **15 Years**  
(21) Appl. No.: **29/716,326**

D522,492 S \* 6/2006 Carbone ..... D14/211  
7,319,767 B2 \* 1/2008 Fidlin ..... H04R 1/06  
381/182  
D562,307 S 2/2008 Warden  
D578,103 S \* 10/2008 Matsuoka ..... D14/211  
D585,875 S \* 2/2009 Matsuoka ..... D14/211  
D596,157 S 7/2009 Warden et al.  
D611,452 S 3/2010 Warden et al.  
D636,379 S \* 4/2011 Kim ..... D14/211  
D656,485 S \* 3/2012 Lee ..... D14/211  
D683,330 S \* 5/2013 Ryu ..... D14/209.1  
D716,266 S \* 10/2014 Kim ..... D14/215  
D723,001 S \* 2/2015 Park ..... H04R 1/06  
D14/213  
D738,351 S \* 9/2015 Park ..... D14/213  
D766,211 S \* 9/2016 Choi ..... D14/211  
D788,065 S \* 5/2017 Sabatino ..... D14/188

\* cited by examiner

(22) Filed: **Dec. 9, 2019**  
(51) **LOC (13) Cl.** ..... **14-01**  
(52) **U.S. Cl.**  
USPC ..... **D14/211**; D14/210  
(58) **Field of Classification Search**  
USPC ..... D14/167, 168, 170–172, 188, 194–196,  
D14/204, 209.1, 210–216, 219, 221, 222,  
D14/224, 239, 496  
CPC ..... B60R 11/0217; G06F 1/1688; G10K 9/22;  
G10K 11/004; H03F 1/327; H04M 1/03;  
H04M 1/035; H04N 5/642; H04N  
21/4852; H04R 1/02; H04R 1/06; H04R  
1/021; H04R 1/025; H04R 1/026; H04R  
1/028; H04R 1/105; H04R 1/323; H04R  
1/403; H04R 1/2803; H04R 1/2834;  
H04R 5/02; H04R 7/20; H04R 9/06;  
H04R 9/025; H04R 2201/021; H04R  
2400/00; H04R 2201/07; H04R 2499/11;  
H04R 2499/13; H04R 2499/15; H04S  
3/00; H04S 7/30  
See application file for complete search history.

*Primary Examiner* — Keli L Hill  
(74) *Attorney, Agent, or Firm* — Bose Corporation

(56) **References Cited**

U.S. PATENT DOCUMENTS

D434,026 S \* 11/2000 Lewis ..... D14/211  
D451,494 S \* 12/2001 Oikawa ..... D14/211

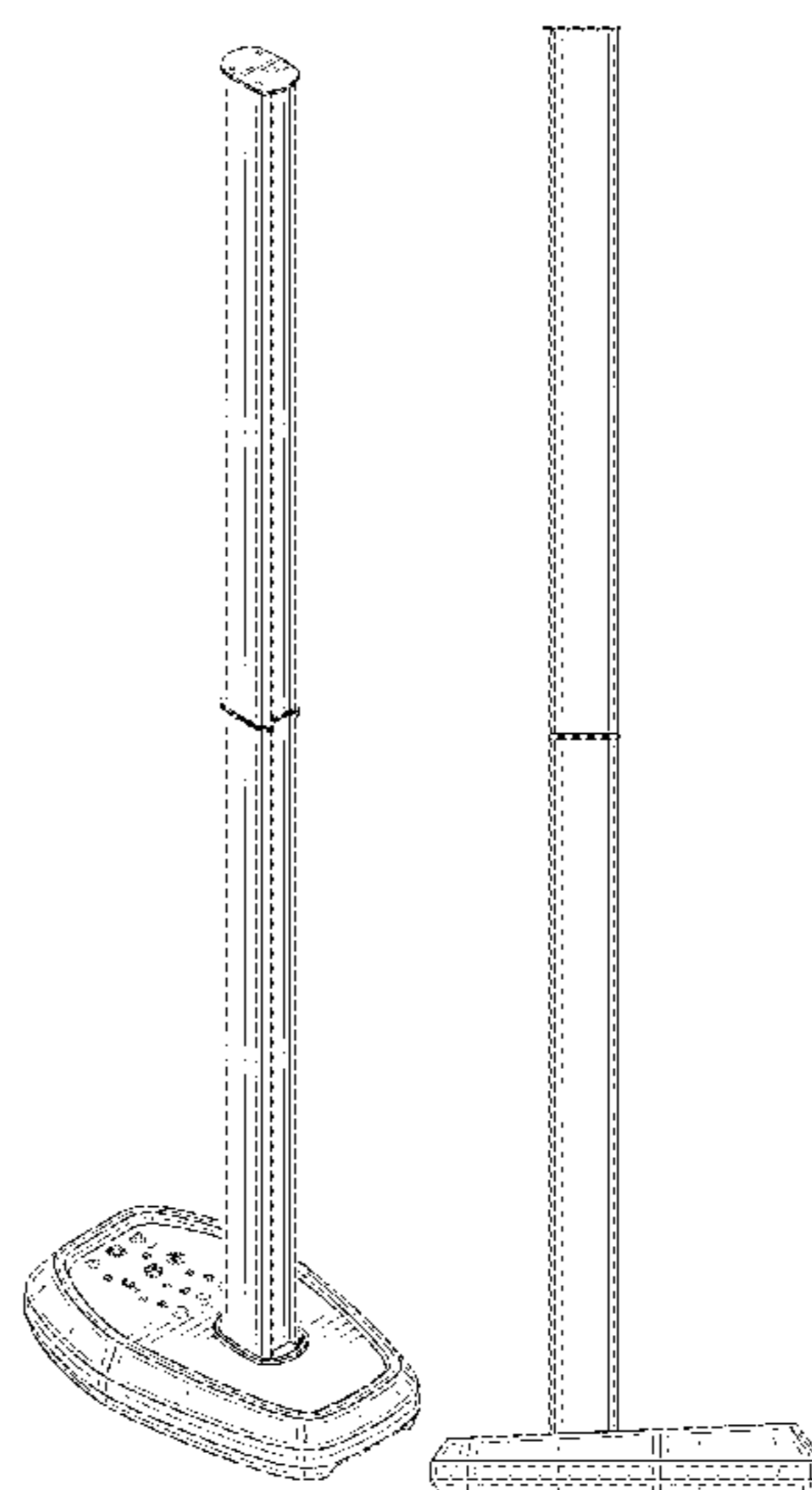
(57) **CLAIM**

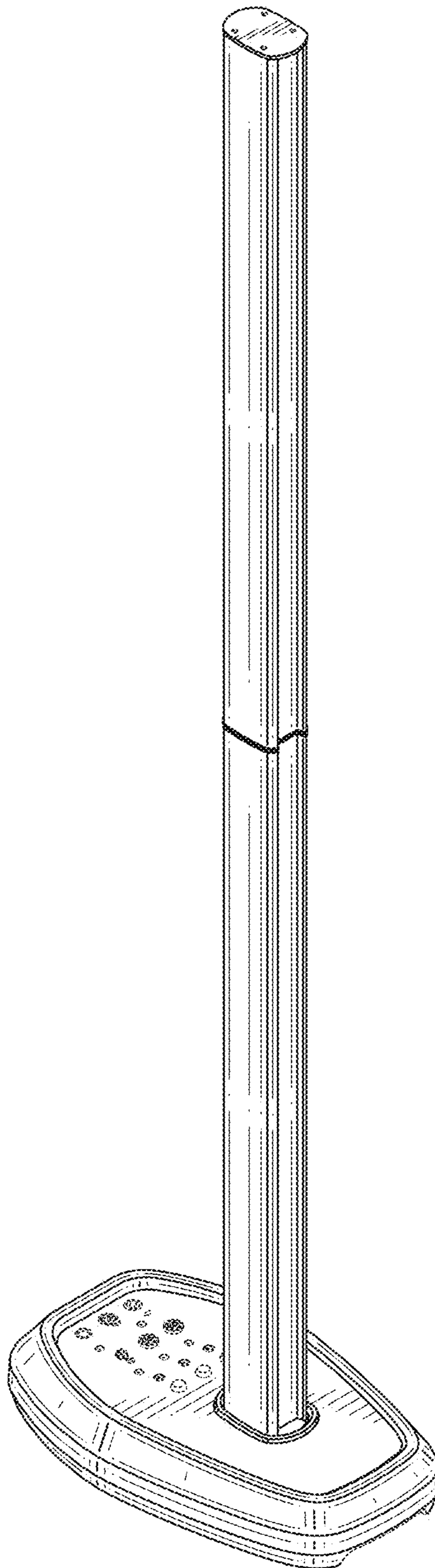
The ornamental design for a loudspeaker, substantially as shown and described.

**DESCRIPTION**

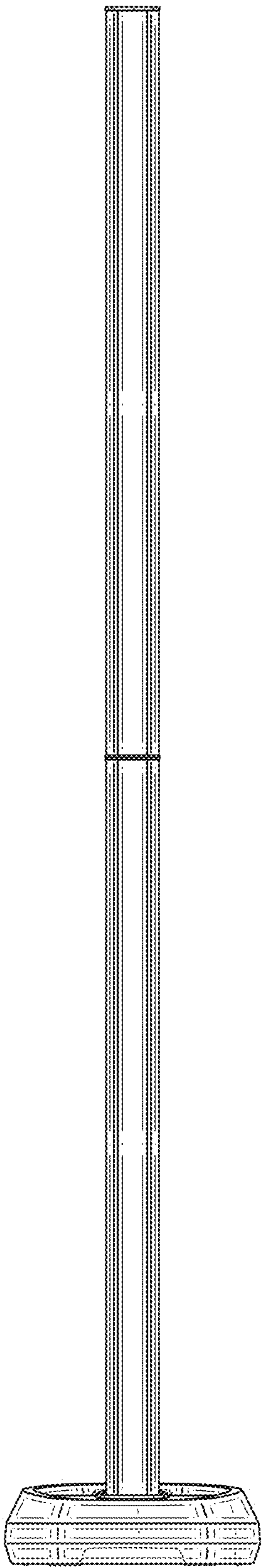
FIG. 1 is a perspective view of a loudspeaker as seen from the front, top and left side;  
FIG. 2 is a front view thereof;  
FIG. 3 is a rear view thereof;  
FIG. 4 is a left side view thereof;  
FIG. 5 is a right side view thereof;  
FIG. 6 is a top view thereof; and,  
FIG. 7 is a bottom view thereof.  
The dotted line portions of the drawings represent environmental structure only and form no part of the claimed design.

**1 Claim, 4 Drawing Sheets**

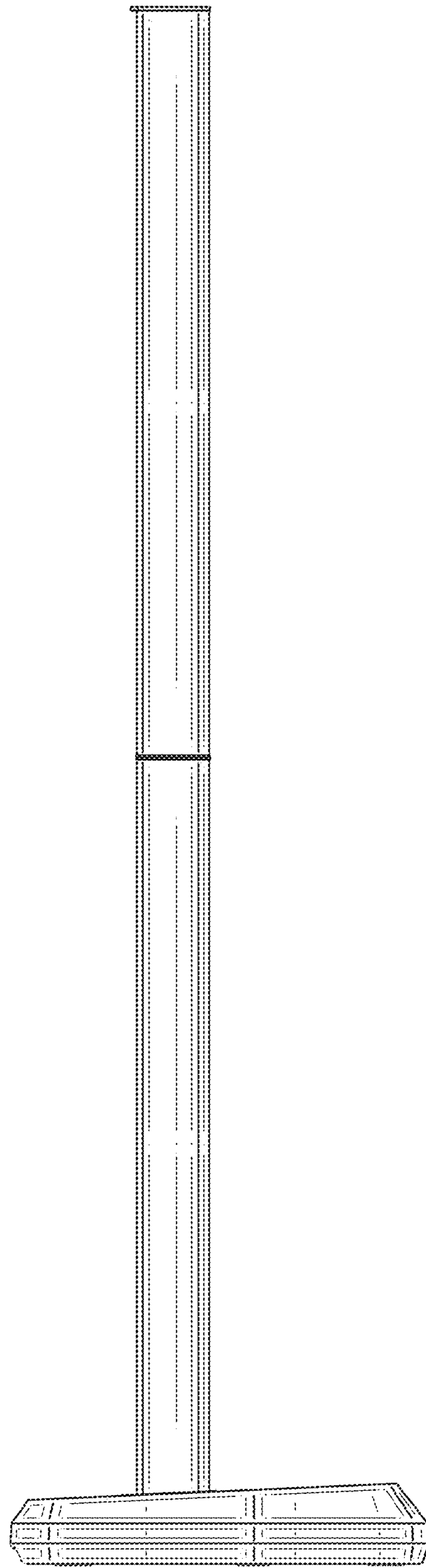




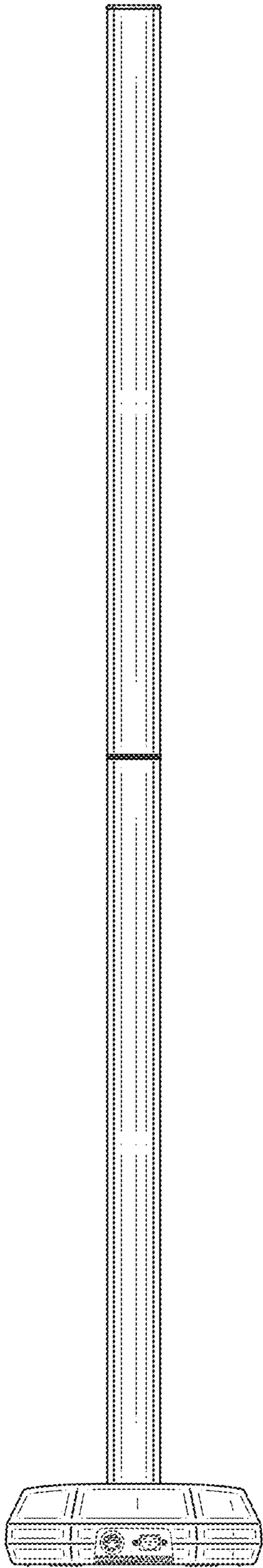
**FIG. 1**



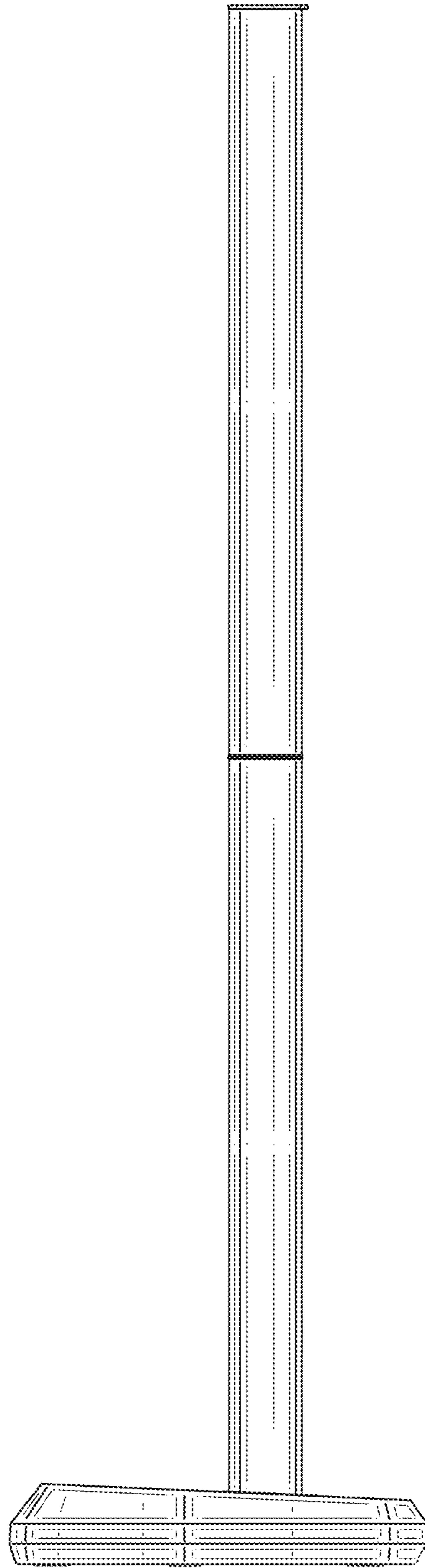
**FIG. 2**



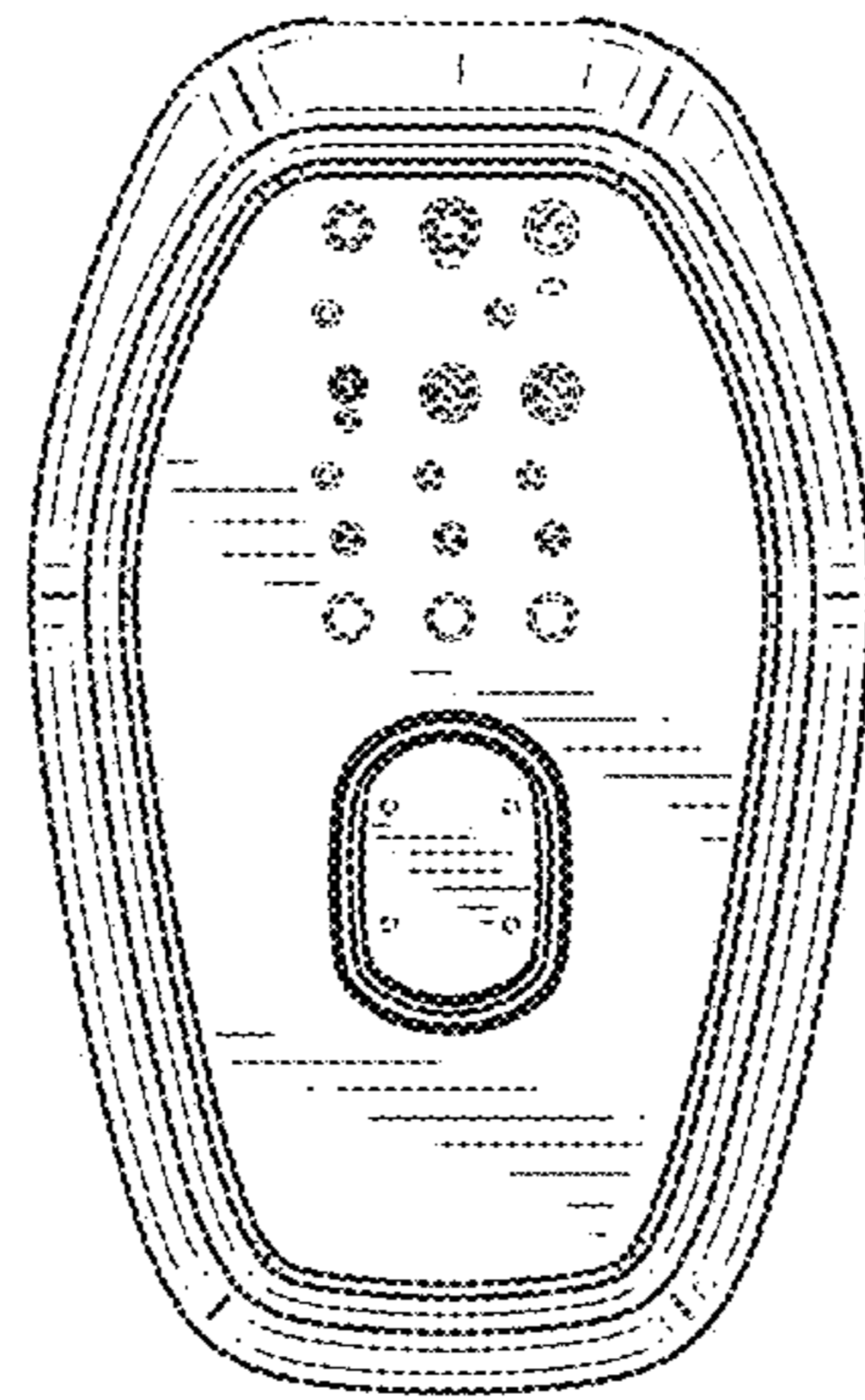
**FIG. 3**



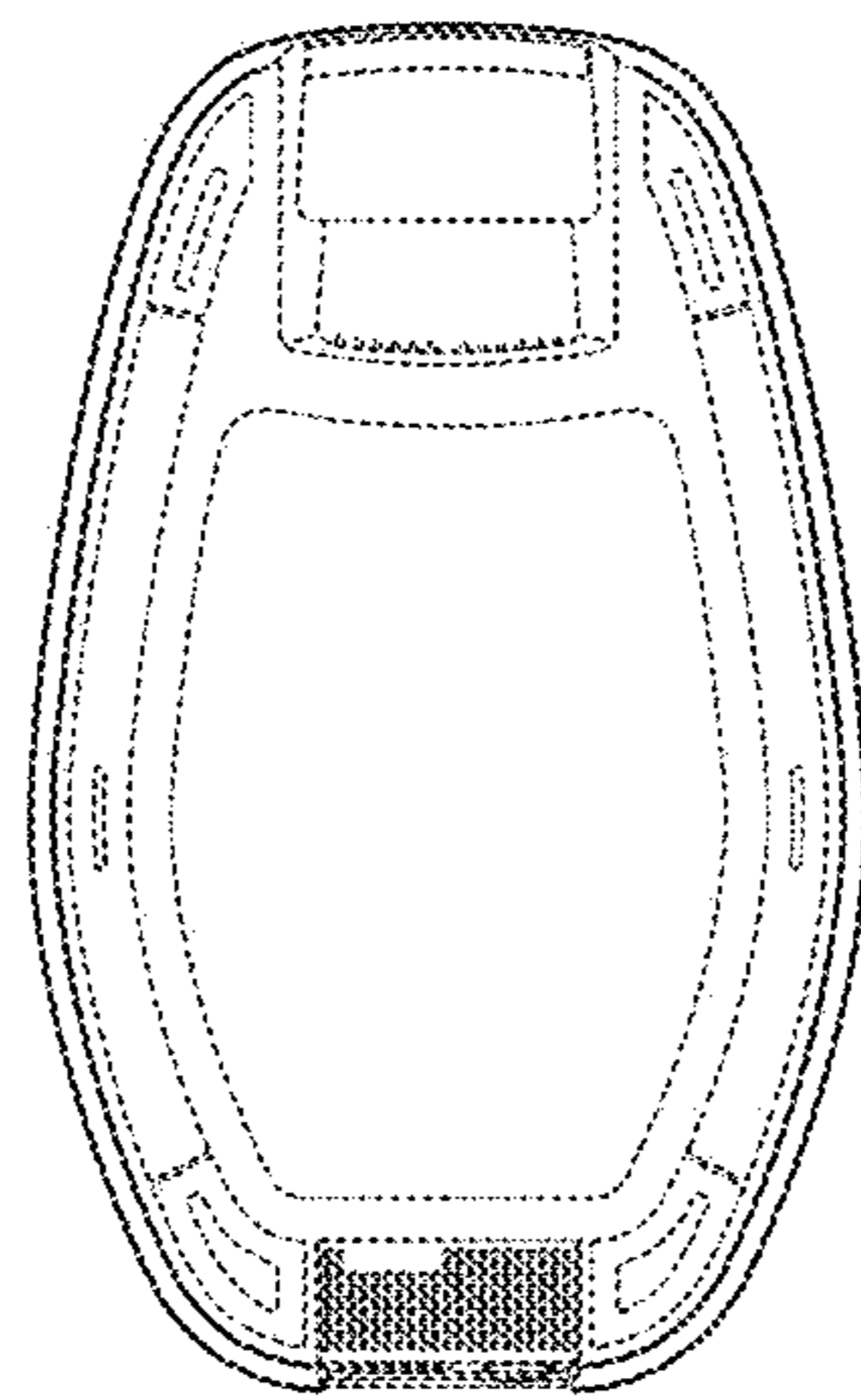
**FIG. 4**



**FIG. 5**



**FIG. 6**



**FIG. 7**