

US00D944228S

(12) **United States Design Patent** (10) **Patent No.:** **US D944,228 S**
Lu (45) **Date of Patent:** **** Feb. 22, 2022**

(54) **EARPHONE**

(71) Applicant: **SHENZHEN QUANMENG TECHNOLOGY CO., LTD.**, Shenzhen (CN)

(72) Inventor: **Xiying Lu**, Yiyang (CN)

(73) Assignee: **SHENZHEN QUANMENG TECHNOLOGY CO., LTD.**, Shenzhen (CN)

(**) Term: **15 Years**

(21) Appl. No.: **29/774,277**

(22) Filed: **Mar. 16, 2021**

(51) **LOC (13) Cl.** **14-01**

(52) **U.S. Cl.**
USPC **D14/206**

(58) **Field of Classification Search**
USPC D14/206, 226, 225, 205; D24/174; 128/864, 865, 866; 381/380, 381, 374, 381/375, 379, 385; 455/90.3, 575.1, 455/569.1
CPC H04R 25/00; H04R 19/04; H04R 1/10; H04R 1/08; H04R 1/1066; H04R 1/1016; H04R 5/033; H04R 5/0335; H04R 1/1083; H04R 1/105
See application file for complete search history.

(56) **References Cited**

U.S. PATENT DOCUMENTS

- 6,101,260 A * 8/2000 Jensen H04M 1/05 379/430
- D485,548 S 1/2004 Obata
- 6,760,458 B1 * 7/2004 Bogeskov-Jensen ... H04M 1/05 381/370
- 6,771,790 B2 * 8/2004 Liu H04M 1/05 381/375
- D508,485 S * 8/2005 Katsumata D14/205

- D510,082 S * 9/2005 Olson D14/206
- D512,991 S * 12/2005 Yano D14/223
- D517,054 S * 3/2006 Yang D14/205
- 7,020,300 B1 * 3/2006 Villaverde H04R 1/1058 381/374
- D519,498 S * 4/2006 Ham D14/225
- D526,313 S * 8/2006 Murray D14/223
- 7,106,873 B1 * 9/2006 Harrison A61N 1/36038 381/330
- 7,106,877 B1 * 9/2006 Linville H04R 1/105 381/370
- D533,540 S * 12/2006 Murray D14/205
- 7,155,023 B2 * 12/2006 Dittli H04R 25/00 381/330
- D538,792 S * 3/2007 Kim D14/223

(Continued)

FOREIGN PATENT DOCUMENTS

- CN 3463981 * 7/2005
- JP D1352137 * 1/2009
- JP D1381478 * 1/2010

Primary Examiner — Paula Allen Greene

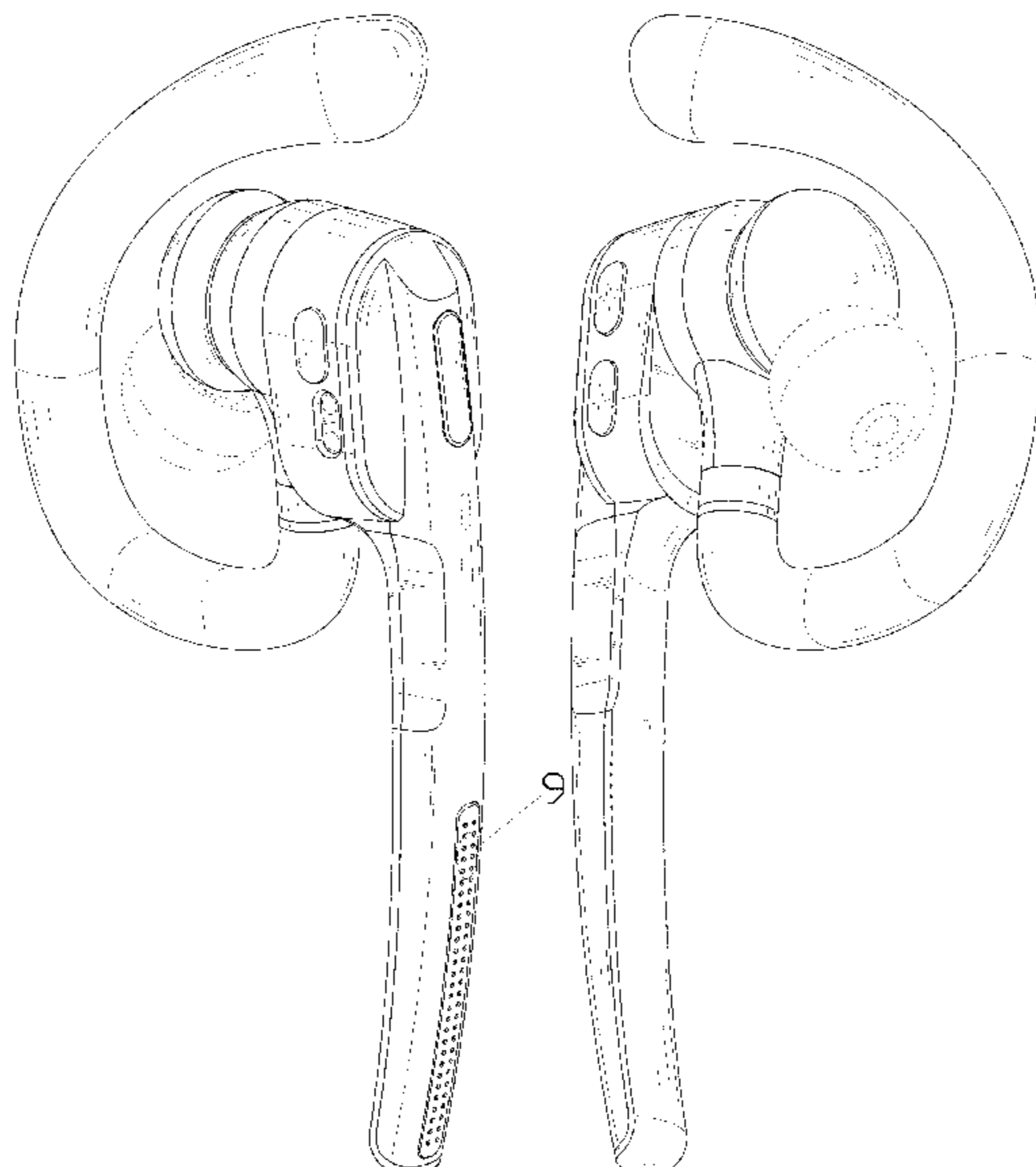
(57) **CLAIM**

The ornamental design for an earphone, as shown and described.

DESCRIPTION

FIG. 1 is a perspective view of an earphone showing my new design;
FIG. 2 is another perspective view thereof;
FIG. 3 is a front elevational view thereof;
FIG. 4 is a rear elevational view thereof;
FIG. 5 is a left side elevational view thereof;
FIG. 6 is a right side elevational view thereof;
FIG. 7 is a top plan view thereof;
FIG. 8 is a bottom plan view thereof; and,
FIG. 9 is an enlarged view of portion 9 shown in FIG. 1.
The broken lines in the drawings depict portions of the earphone that form no part of the claimed design.

1 Claim, 9 Drawing Sheets



(56)

References Cited

U.S. PATENT DOCUMENTS

D540,778 S *	4/2007	Thompson	D14/206	D809,487 S	2/2018	Lee et al.	
D542,267 S *	5/2007	Cha	D14/206	D812,040 S *	3/2018	Yan	D14/206
D555,151 S *	11/2007	Eklund	D14/223	D813,849 S *	3/2018	Andreen	D14/223
D555,153 S *	11/2007	Wilson	D14/223	D814,444 S *	4/2018	Liu	D14/223
D566,105 S *	4/2008	Yang	D14/223	D828,327 S *	9/2018	Birger	D14/206
7,372,973 B2 *	5/2008	Meier	H04R 25/654 381/330	D830,337 S *	10/2018	Yan	D14/206
D573,983 S *	7/2008	Bang	D14/223	D830,338 S *	10/2018	Yan	D14/206
D574,366 S *	8/2008	Sade	D14/223	D838,688 S *	1/2019	Liu	D14/206
D582,388 S *	12/2008	Nielsen	D14/205	D850,408 S *	6/2019	Kawabata	D14/206
D590,813 S *	4/2009	Bradford	D14/205	D851,065 S *	6/2019	Yan	D14/206
D602,476 S *	10/2009	Lee	D14/223	D855,036 S *	7/2019	Yan	D14/206
D603,372 S *	11/2009	Bentley	D14/206	D872,707 S *	1/2020	Liu	D14/206
D604,718 S *	11/2009	Paterson	D14/206	D879,068 S *	3/2020	Yan	D14/206
D618,221 S *	6/2010	Fahrendorff	D14/223	D883,951 S *	5/2020	Yan	D14/206
7,778,410 B2 *	8/2010	Liu	H04M 1/05 379/430	D903,634 S *	12/2020	Lu	D14/206
D634,305 S *	3/2011	Hoggarth	D14/223	D913,263 S *	3/2021	Yang	D14/206
D645,457 S *	9/2011	Carr	D14/223	D915,347 S *	4/2021	Duan	D14/206
8,061,473 B1 *	11/2011	Kerr	A61F 11/008 181/135	D916,049 S *	4/2021	Xu	D14/206
D670,267 S *	11/2012	Maddern	D14/206	D916,050 S *	4/2021	Xu	D14/206
D681,014 S *	4/2013	Ham	D14/223	D924,201 S *	7/2021	Yan	D14/206
D717,767 S *	11/2014	Mistry	D14/206	D926,152 S *	7/2021	Yan	D14/206
D726,147 S *	4/2015	Tran	D14/206	D926,153 S *	7/2021	Yan	D14/206
D730,868 S *	6/2015	Birger	D14/206	2002/0131585 A1 *	9/2002	Jones	H04R 1/083 379/431
D750,043 S *	2/2016	Birger	D14/206	2005/0259812 A1 *	11/2005	Chen	H04M 1/05 379/431
9,307,311 B2 *	4/2016	Tran	H04R 1/1066	2008/0310667 A1 *	12/2008	Lin	H04M 1/05 381/384
D762,623 S *	8/2016	Gondo	D14/223	2012/0244813 A1 *	9/2012	Liao	H04R 1/1091 455/41.3
D784,290 S *	4/2017	Paterson	D14/205	2015/0237434 A1 *	8/2015	Tran	H04R 1/1008 381/380
D784,291 S *	4/2017	Paterson	D14/206	2016/0181718 A1 *	6/2016	Kann	H01R 13/447 381/91
D789,331 S *	6/2017	Paterson	D14/225				
D797,076 S *	9/2017	Zhang	D14/206				

* cited by examiner

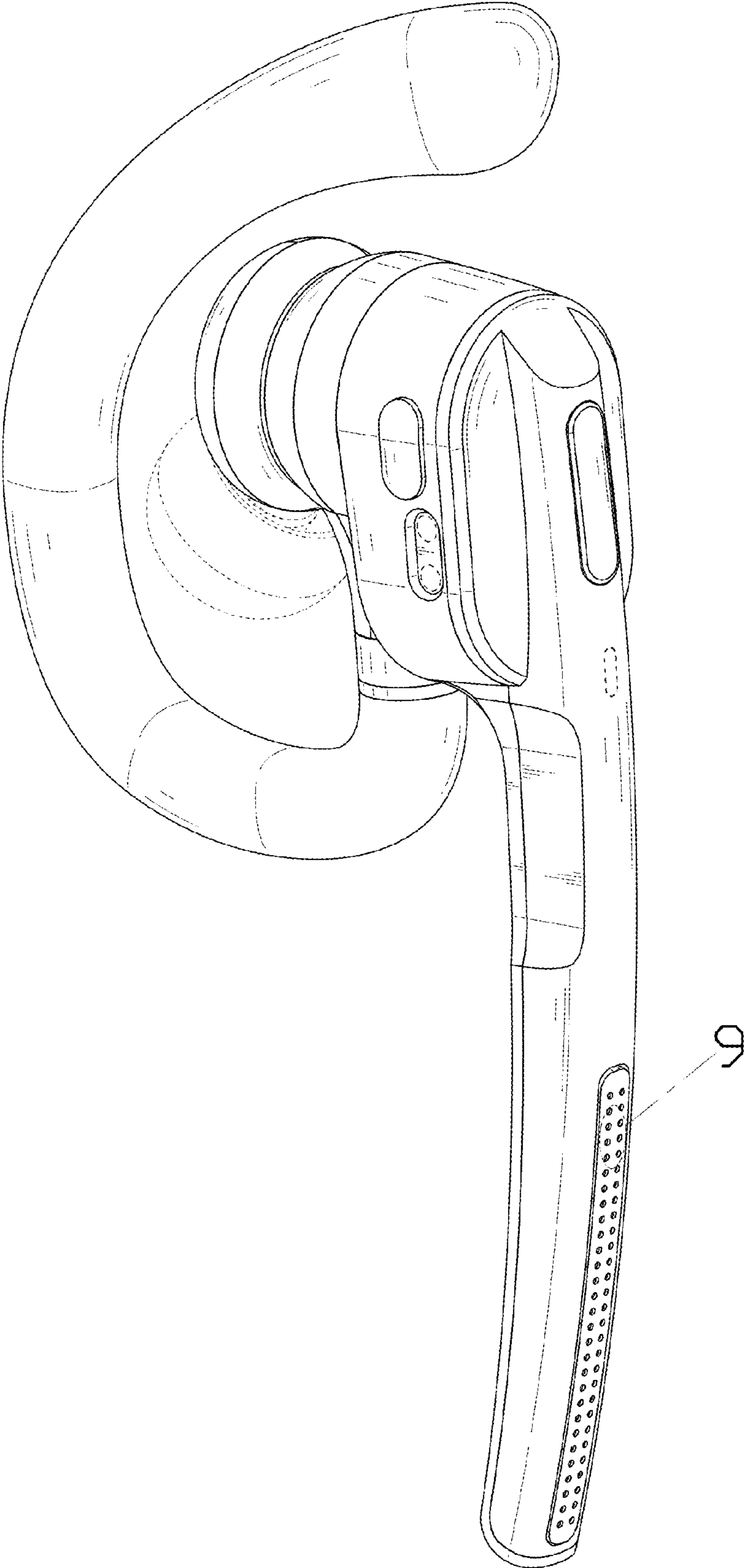


FIG. 1

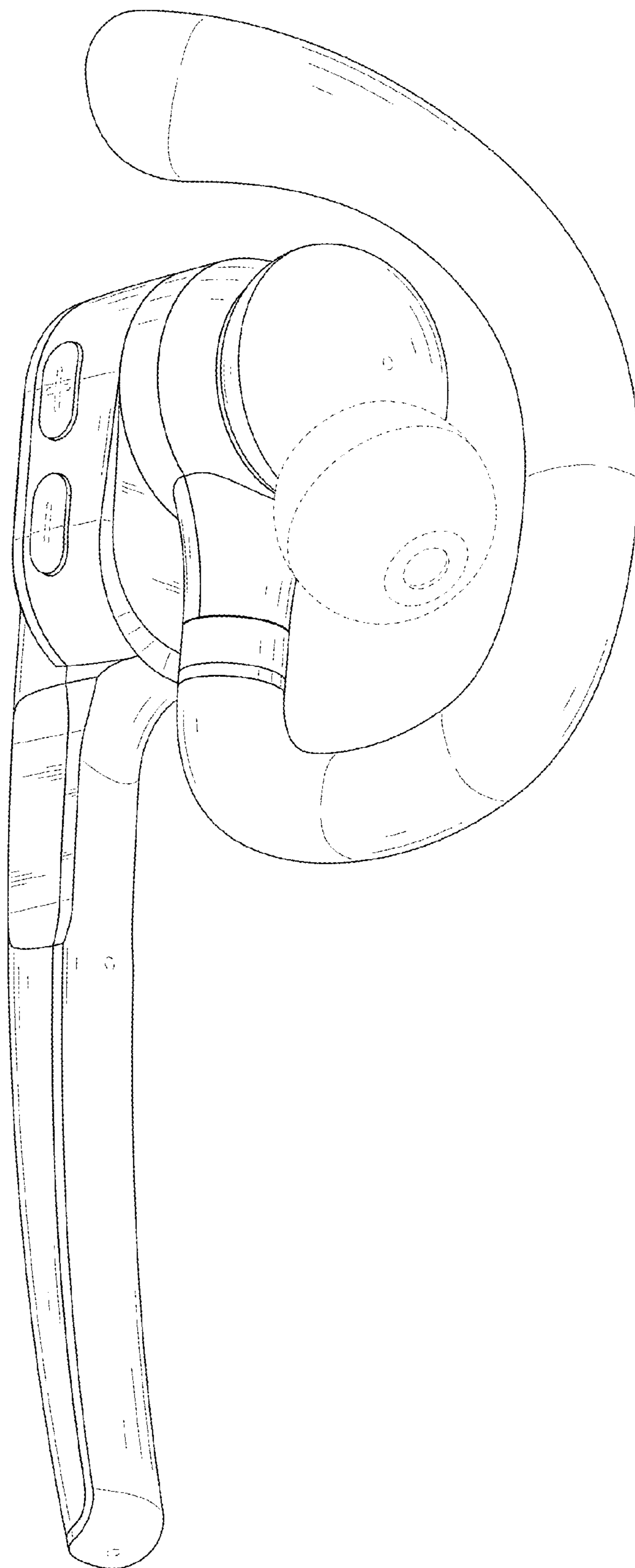


FIG. 2

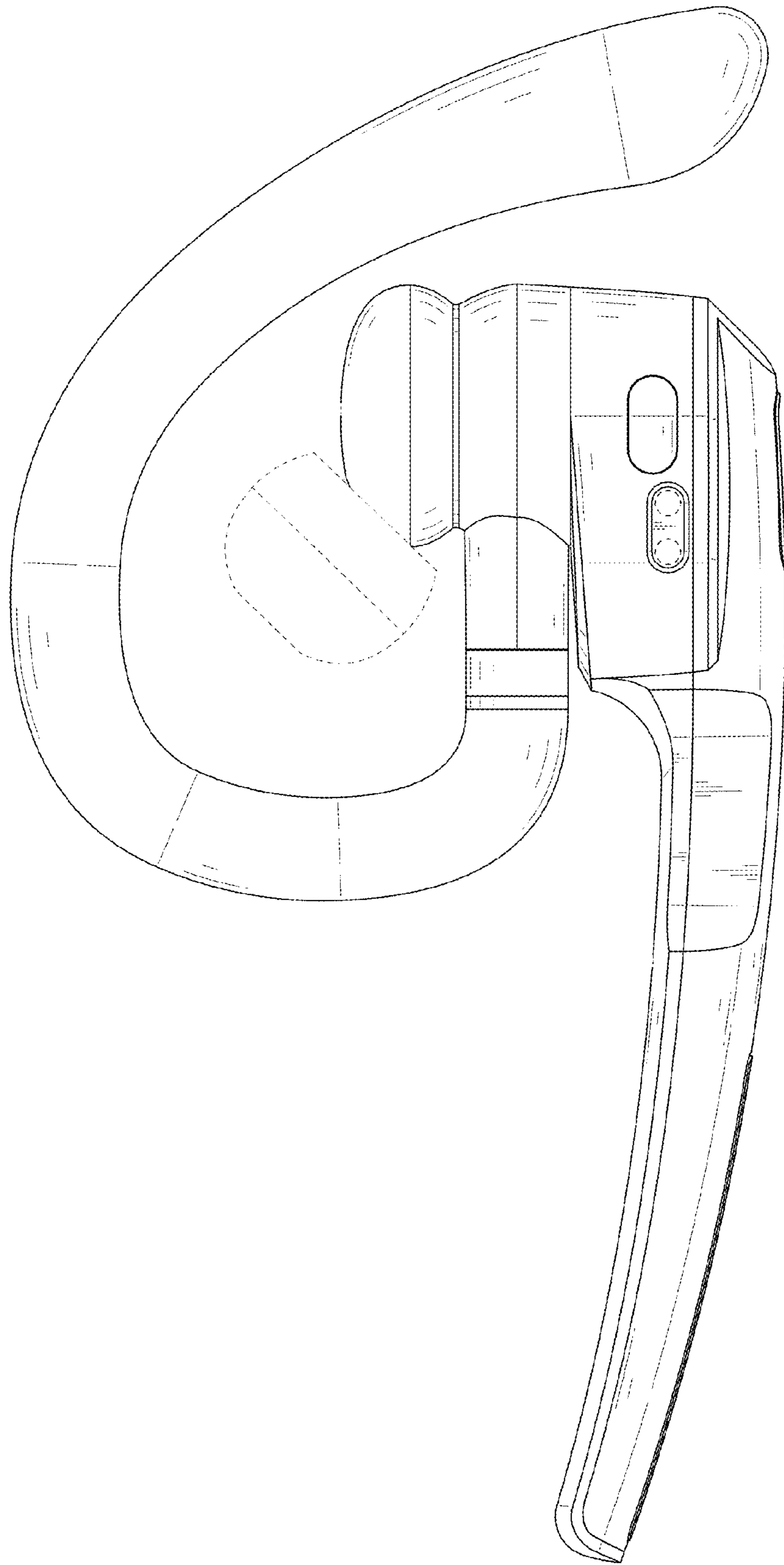


FIG. 3

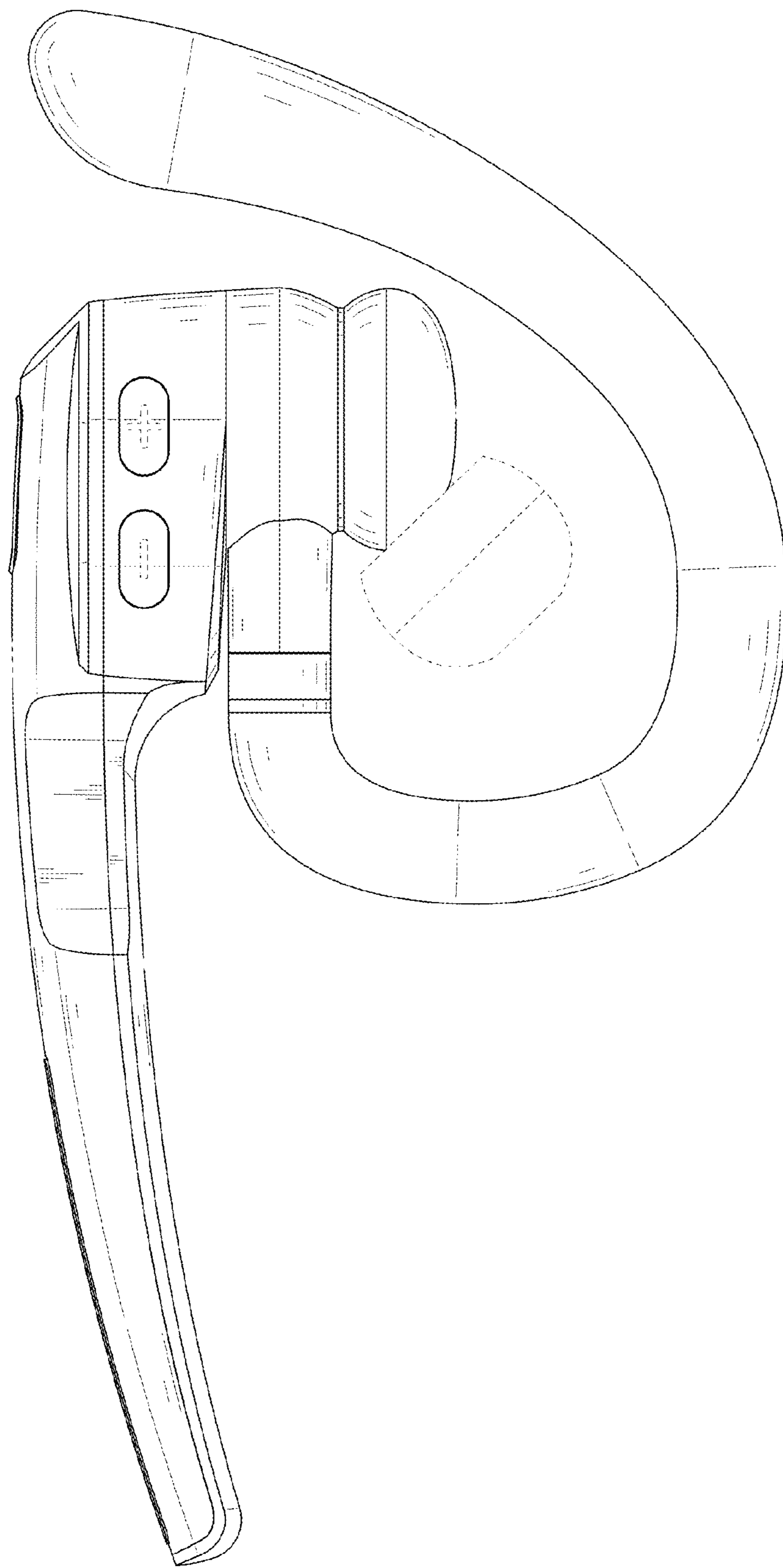


FIG. 4

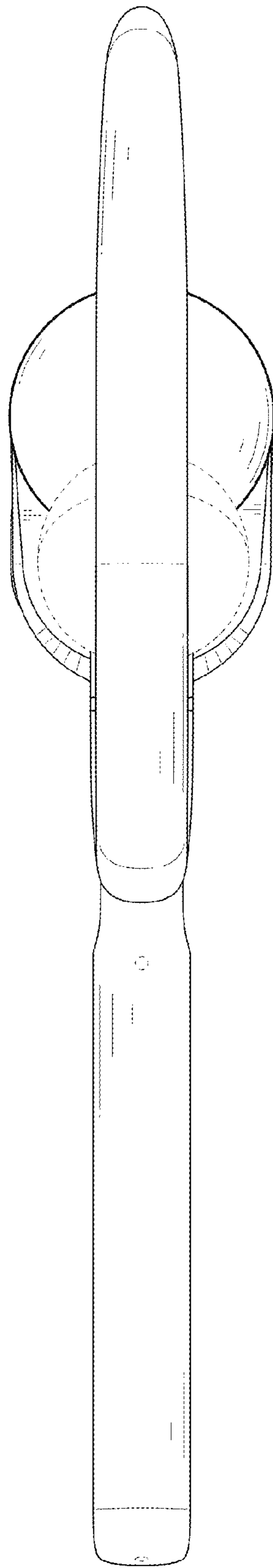


FIG. 5

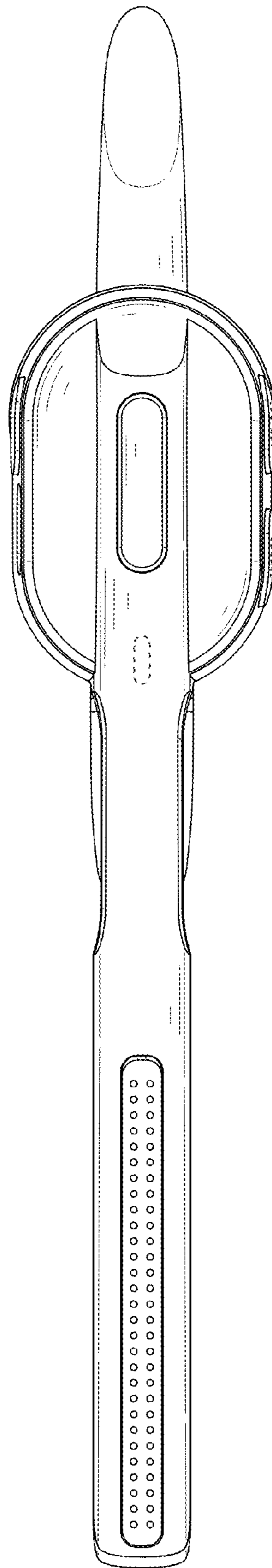


FIG. 6

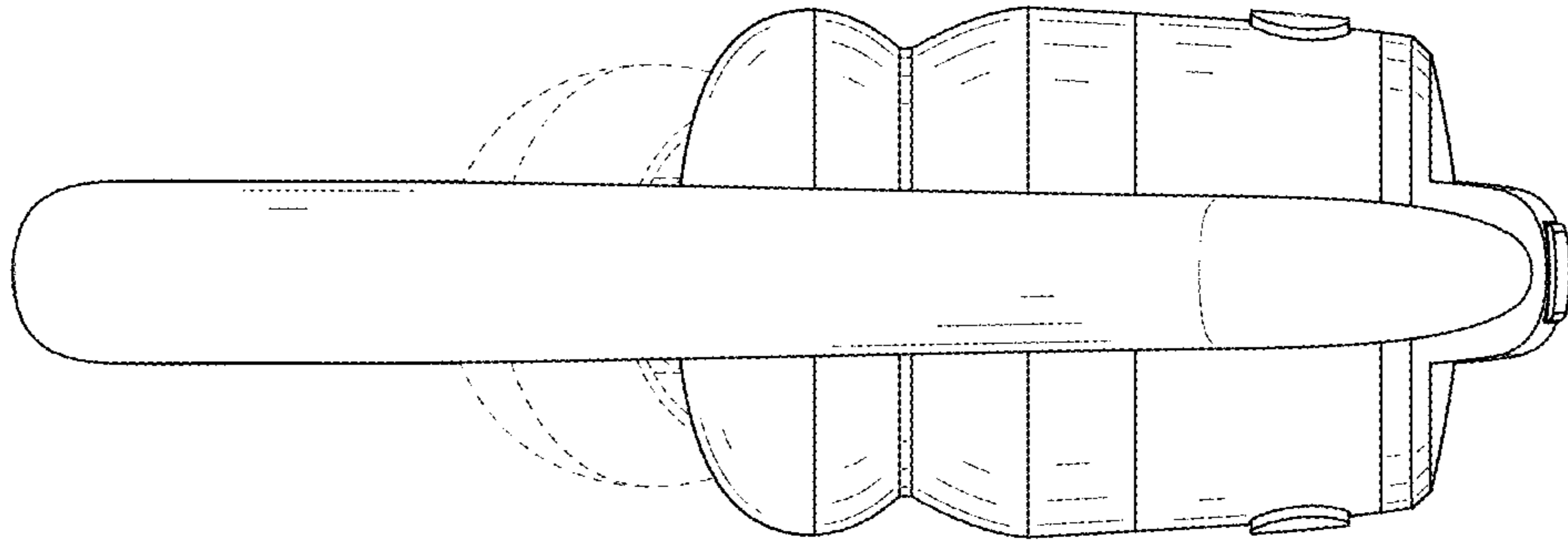


FIG. 7

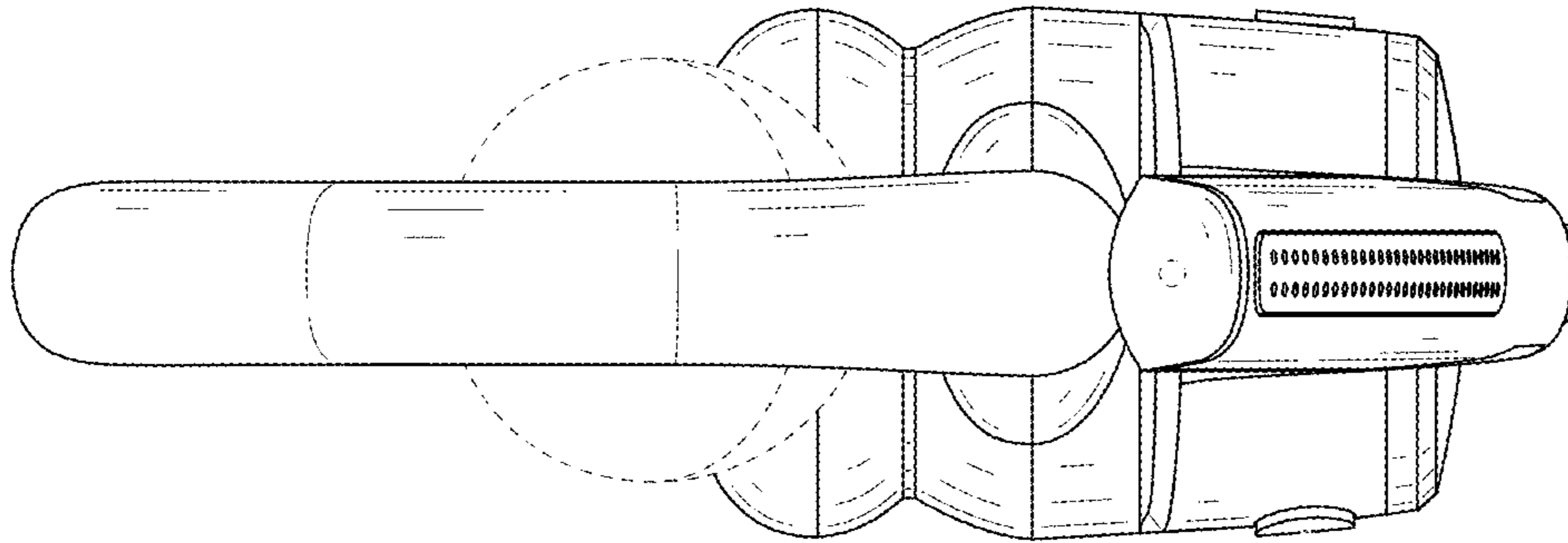


FIG. 8

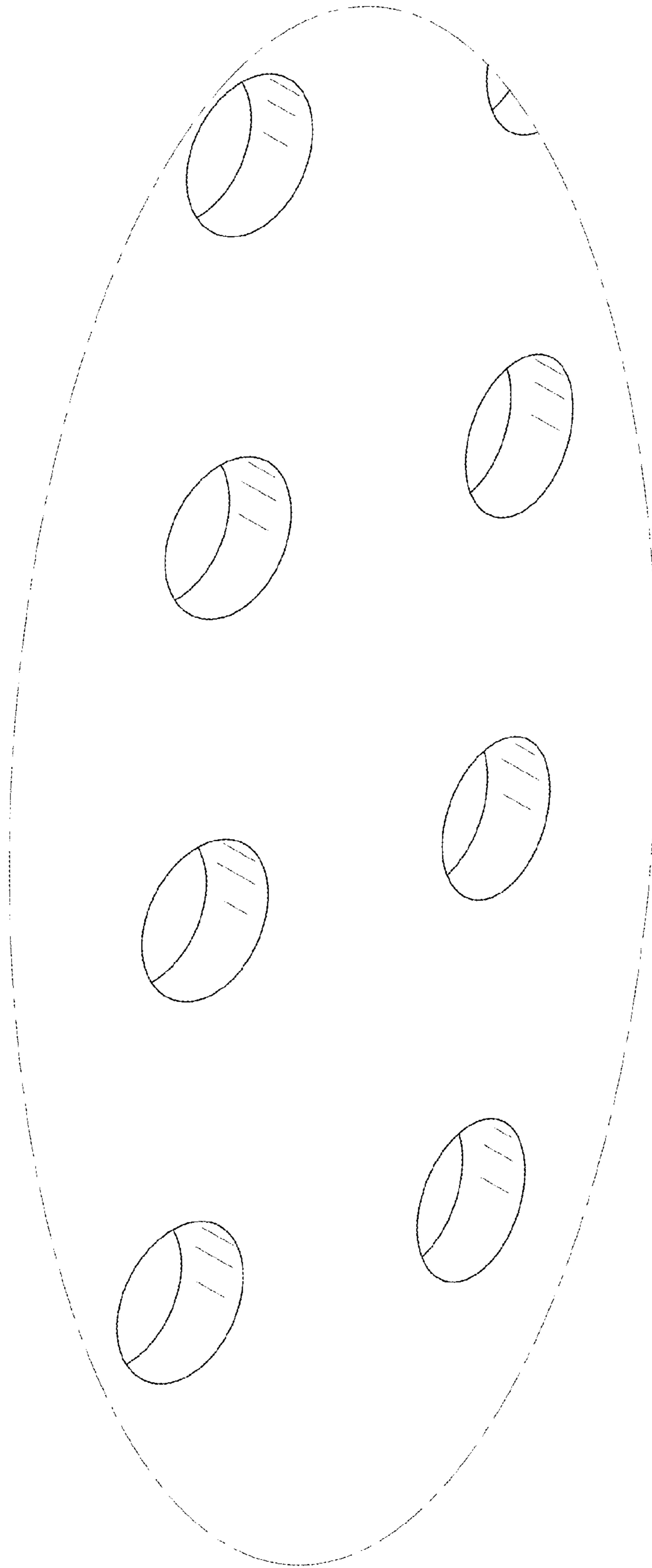


FIG. 9