



US00D944225S

(12) **United States Design Patent**  
**Shi**

(10) **Patent No.:** **US D944,225 S**

(45) **Date of Patent:** **\*\* Feb. 22, 2022**

(54) **LANCING DEVICE**

(71) Applicant: **SteriLance Medical (Suzhou) Inc.**,  
Suzhou (CN)

(72) Inventor: **Guoping Shi**, Suzhou (CN)

(73) Assignee: **SteriLance Medical (Suzhou) Inc.**,  
Suzhou (CN)

(\*\*) Term: **15 Years**

(21) Appl. No.: **29/743,821**

(22) Filed: **Jul. 24, 2020**

(51) **LOC (13) Cl.** ..... **24-02**

(52) **U.S. Cl.**  
USPC ..... **D14/146**

(58) **Field of Classification Search**

USPC ..... D28/57, 59, 62; D4/104, 120, 137, 138,  
D4/100, 108, 111; D8/90-94, 107, 300,  
D8/310-311, 313, 97; D24/146-147,  
D24/10.5, 107, 110, 112-118, 121, 127,  
D24/130, 133, 148, 152, 172-174,  
D24/176-178; D19/110, 115; D7/649  
CPC ..... A61B 17/089; A61B 17/1617; A61B  
17/3211; A61B 17/3417; A61B 5/1411;  
A61H 39/08; A61M 2025/0246; A61M  
16/04; A61M 16/0463; A61M 16/0486;  
A61M 16/0484; A61M 25/0009; A61M  
25/007; A61M 25/02; A61M 25/09033;  
A61M 5/3286; A61M 5/343; B26B 3/00;  
B26B 1/10; B26B 5/005

See application file for complete search history.

(56) **References Cited**

**U.S. PATENT DOCUMENTS**

D428,150 S \* 7/2000 Ruf ..... D24/146  
D429,814 S \* 8/2000 Lorwald ..... D24/140  
D550,363 S \* 9/2007 Hannant ..... D24/186  
D560,805 S \* 1/2008 Young ..... D24/146  
D617,904 S \* 6/2010 Lai ..... D24/146

D648,024 S \* 11/2011 Harkin ..... D24/146  
8,313,470 B2 \* 11/2012 Abry ..... A61M 5/3202  
604/198  
9,149,221 B2 \* 10/2015 Kan ..... A61B 5/150412  
D768,856 S \* 10/2016 Harkin ..... D24/147

(Continued)

**FOREIGN PATENT DOCUMENTS**

FR 008034243-0002 \* 10/2020

**OTHER PUBLICATIONS**

GlucoGorx Adjustable Lancing Device, first available Oct. 14, 2020, amazon.com, [online], [site visited Sep. 2, 2021], Available from internet URL: [https://www.amazon.com/GlucoGorx-Adjustable-Lancing-Ejector-Monitoring/dp/B08L6YY492/ref=pd\\_sbs\\_14/131-4543789-4001142?pd\\_rd\\_w=Qyauw%E2%80%A6](https://www.amazon.com/GlucoGorx-Adjustable-Lancing-Ejector-Monitoring/dp/B08L6YY492/ref=pd_sbs_14/131-4543789-4001142?pd_rd_w=Qyauw%E2%80%A6) (Year: 2020).\*

(Continued)

*Primary Examiner* — Samantha Q Lawrence  
*Assistant Examiner* — Holly M Rodriguez  
(74) *Attorney, Agent, or Firm* — Banner & Witcoff, Ltd.

(57) **CLAIM**

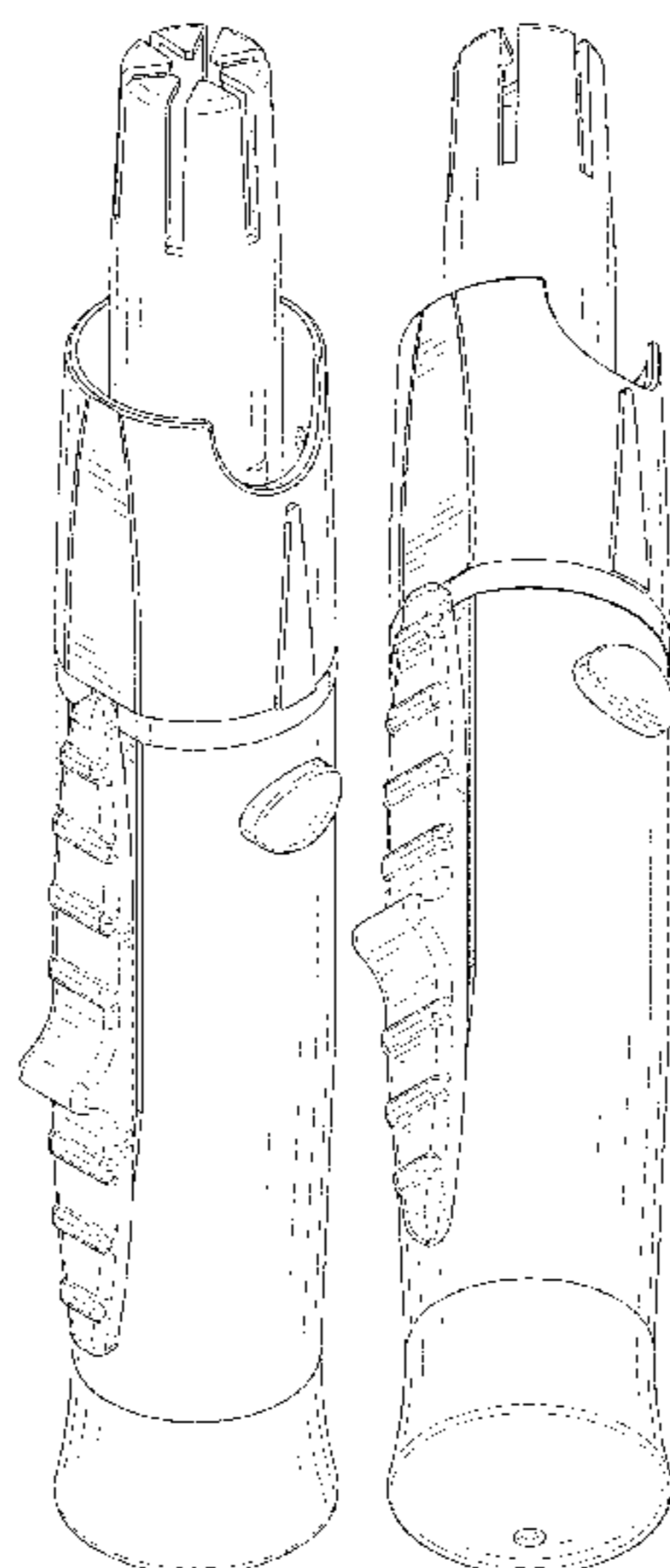
The ornamental design for a lancing device, as shown and described.

**DESCRIPTION**

FIG. 1 is a front, top, right perspective view of a lancing device showing our new design;  
FIG. 2 is a front, bottom, right perspective view thereof;  
FIG. 3 is a front elevation view thereof;  
FIG. 4 is a rear elevation view thereof;  
FIG. 5 is a left side view thereof;  
FIG. 6 is a right side view thereof;  
FIG. 7 is a top view thereof; and,  
FIG. 8 is a bottom view thereof.

The broken lines in the drawings are for the purpose of illustrating unclaimed portions of the lancing device and form no part of the claimed design.

**1 Claim, 8 Drawing Sheets**



(56)

**References Cited**

## U.S. PATENT DOCUMENTS

9,943,649 B2 \* 4/2018 Shang ..... A61M 5/31566  
10,010,283 B2 \* 7/2018 Volkmuth ..... A61B 5/15113  
D917,064 S \* 4/2021 Ribeiro ..... D24/217  
2015/0224259 A1 \* 8/2015 Giambattista ..... A61M 5/3146  
604/89  
2016/0106929 A1 \* 4/2016 Fournier ..... A61M 5/3204  
604/192  
2016/0129195 A1 \* 5/2016 Jennings ..... A61M 5/31586  
604/198  
2017/0000517 A1 \* 1/2017 Lee ..... A61B 5/1519

## OTHER PUBLICATIONS

Medline MPHLANCINGPEN Medline Lancing Device, first available Oct. 18, 2014, amazon.com, [online], [site visited Sep. 2, 2021], Available from internet URL: <https://www.amazon.com/Medline-MPHLANCINGPEN-Lancing-Device/dp/B00PU0ICE6> (Year: 2014).\*

Lancing Device with Ejector ( LDE4 ) , sterilance.com, [online], [site visited Sep. 2, 2021], Available from internet URL: <http://www.sterilance.com/english/pro1/pro2/pro7/2019-06-26/111.html> (Year: 2021).\*

EasyTouch Lancing Device w/Ejector, first available Feb. 17, 2012, amazon.com, [online], [site visited 9/82021], Available from internet URL: [https://www.amazon.com/EasyTouch-Lancing-Device-Ejector-Box/dp/B007AIPK1Y/ref=pd\\_sbs\\_5/131-4543789-4001142?pd\\_rd\\_w=ULPaV&pf\\_rd\\_p=0f56f70f-21e6-4d11-bb4a-bcdb92](https://www.amazon.com/EasyTouch-Lancing-Device-Ejector-Box/dp/B007AIPK1Y/ref=pd_sbs_5/131-4543789-4001142?pd_rd_w=ULPaV&pf_rd_p=0f56f70f-21e6-4d11-bb4a-bcdb92) (Year: 2012).\*

\* cited by examiner

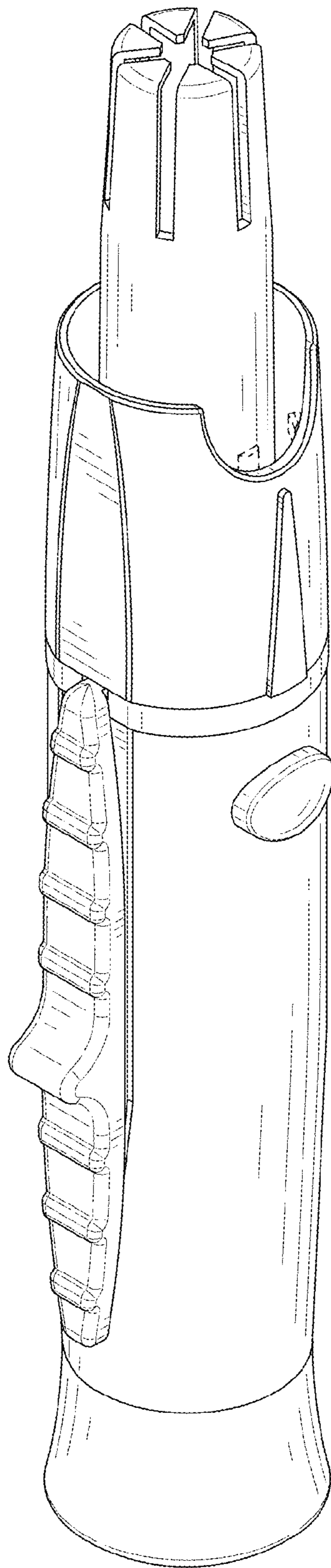


FIG. 1

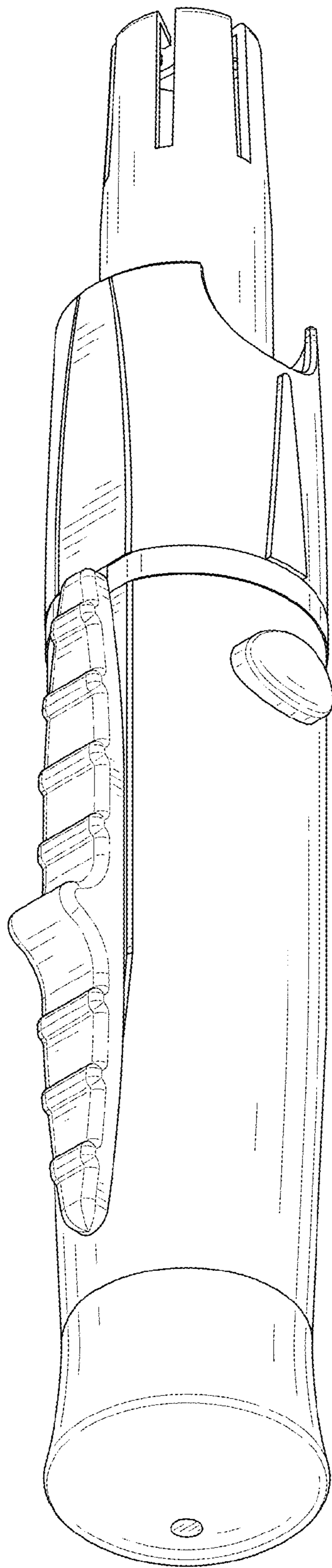


FIG. 2

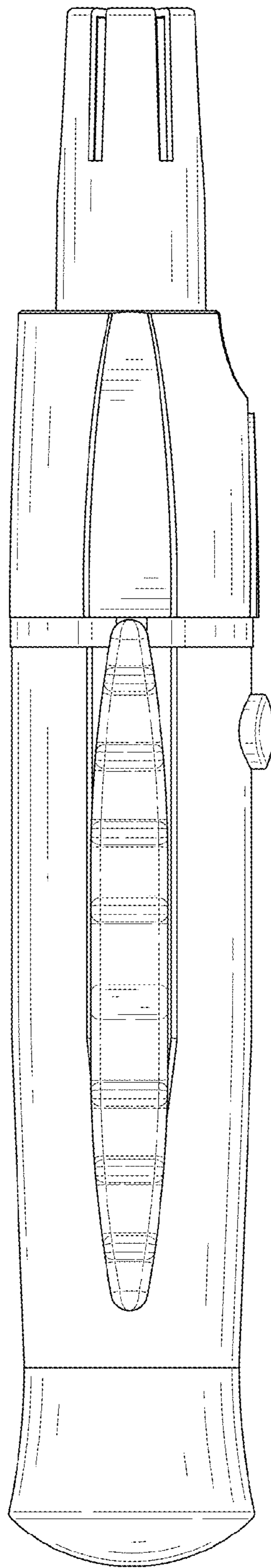


FIG. 3

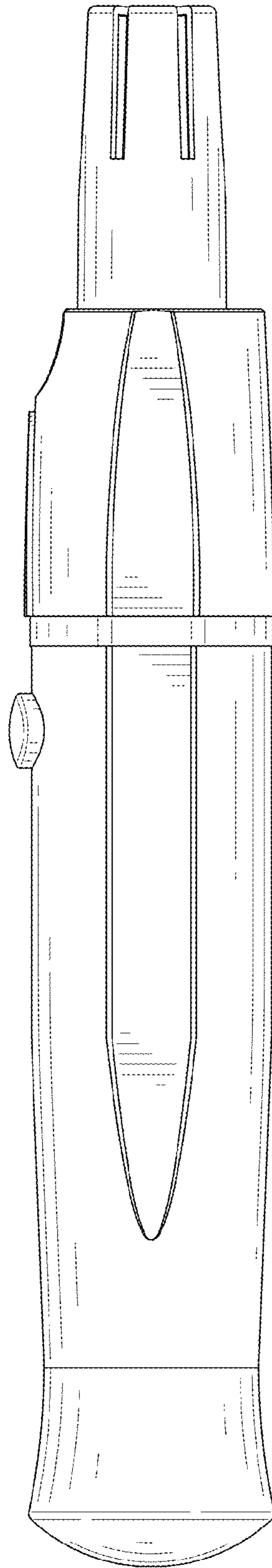


FIG. 4

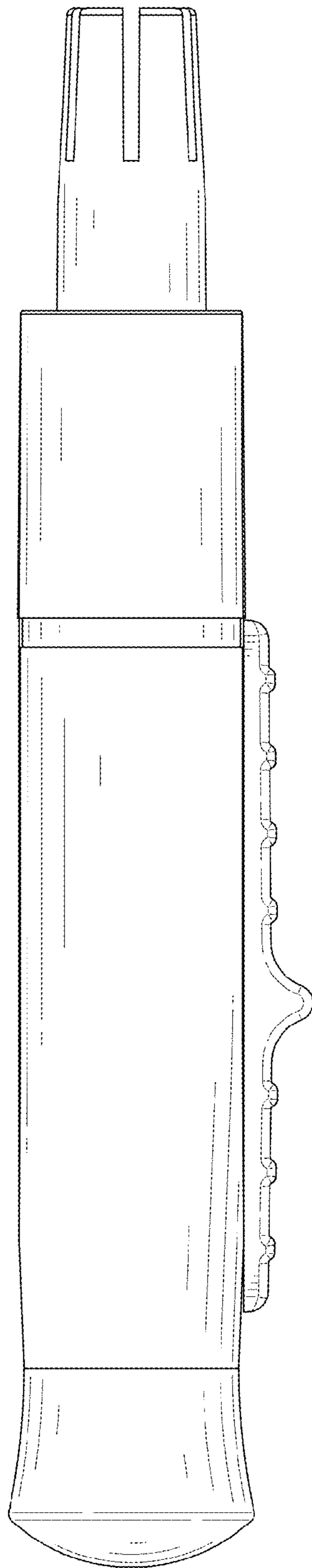


FIG. 5

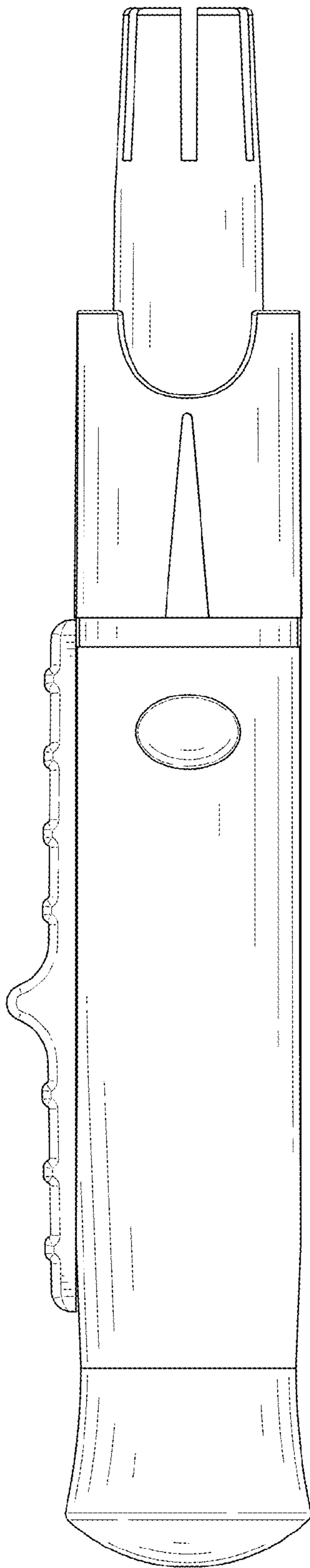


FIG. 6



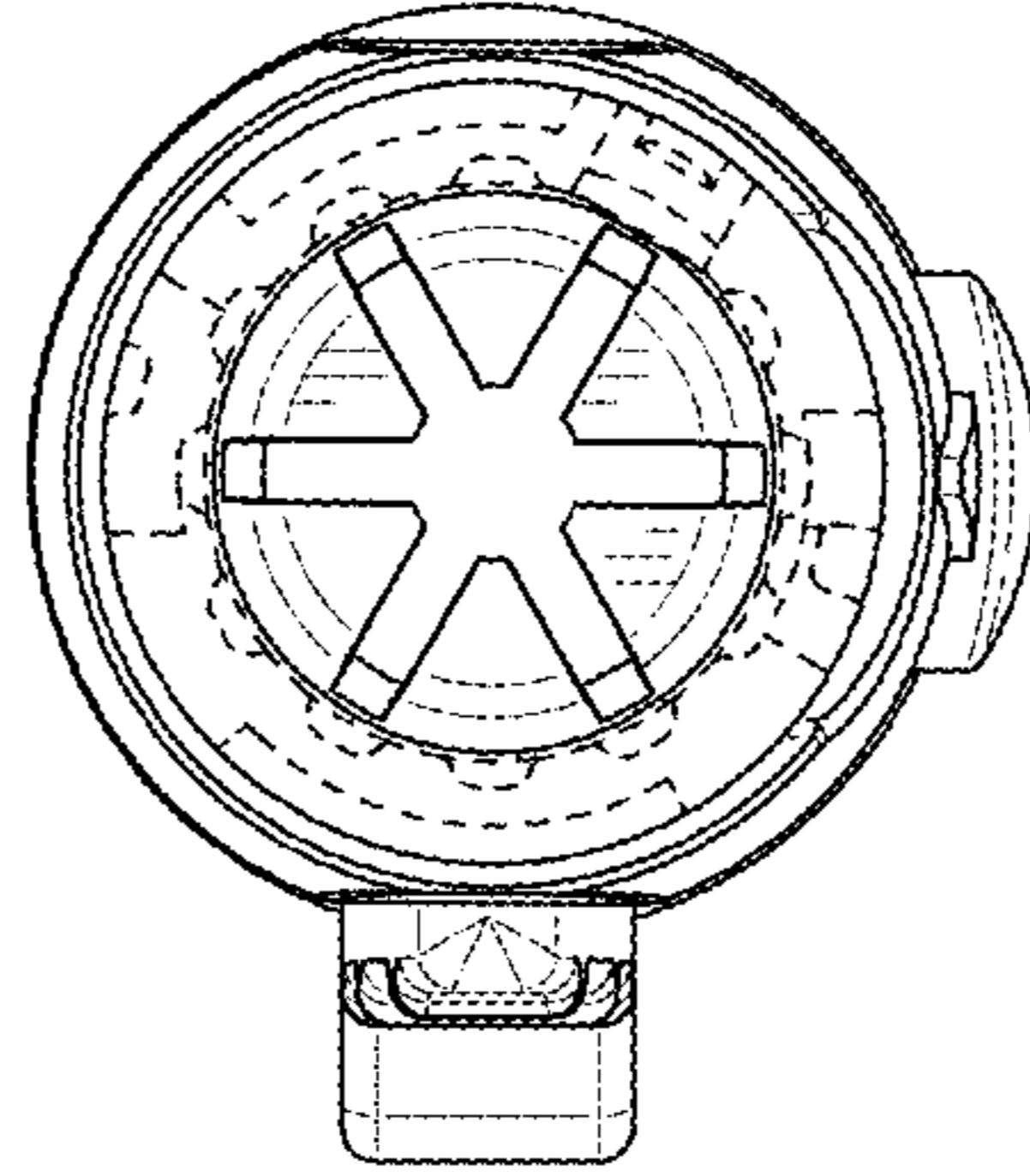


FIG. 7

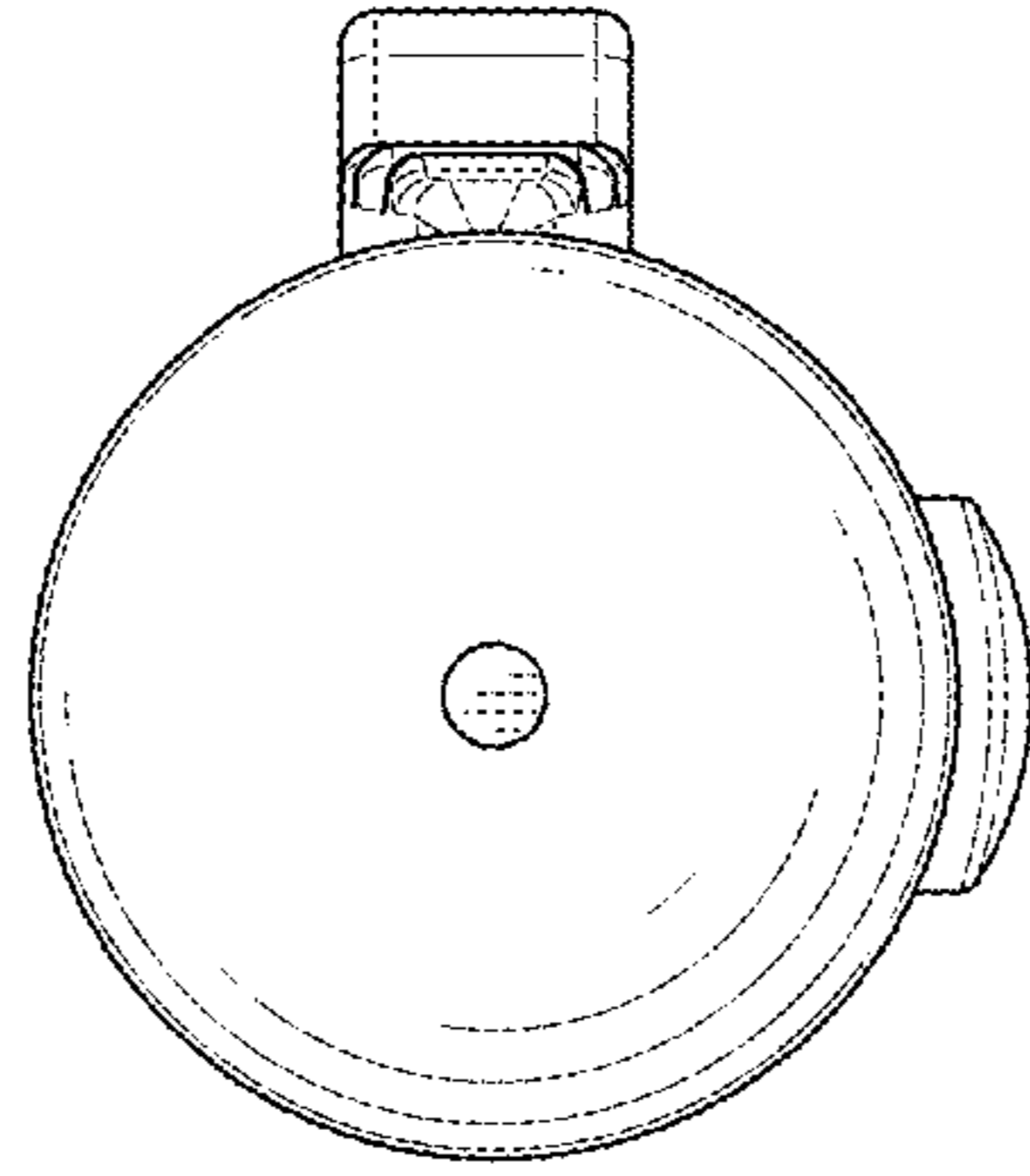


FIG. 8