



US00D944223S

(12) **United States Design Patent**
Kim et al.

(10) **Patent No.:** **US D944,223 S**

(45) **Date of Patent:** **** Feb. 22, 2022**

(54) **TELEVISION WITH ROLLABLE DISPLAY**

(71) Applicant: **LG ELECTRONICS INC.**, Seoul (KR)

(72) Inventors: **Seonkyu Kim**, Seoul (KR);
Youngkyoung Kim, Seoul (KR);
Yunjoo Kim, Seoul (KR); **Cheolwoong Shin**, Seoul (KR); **Minjae Lee**, Seoul (KR); **Hyunbyung Cha**, Seoul (KR)

(73) Assignee: **LG ELECTRONICS INC.**, Seoul (KR)

(**) Term: **15 Years**

(21) Appl. No.: **29/715,759**

(22) Filed: **Dec. 4, 2019**

(30) **Foreign Application Priority Data**

Jun. 4, 2019 (KR) 30-2019-0026624

(51) **LOC (13) Cl.** **14-03**

(52) **U.S. Cl.**
USPC **D14/126**

(58) **Field of Classification Search**

USPC D14/125-138, 138 AD, 138 G, 138 R,
D14/204, 239, 248, 314-316, 322, 326,
D14/334-336, 339, 340, 341, 371,
D14/373-377, 448, 450; D6/300, 308,
D6/310, 314, 320, 332, 553, 642-643,
D6/650.1, 653.15, 654.15, 657, 661, 675;
D16/229, 235, 241; D21/324, 329, 332,
D21/515; D20/42

CPC G03B 21/58; G03B 21/56; G06F 1/16;
G06F 1/1601; G06F 1/1637; G06F
1/1605; G06F 1/162; G06F 1/1652; G09F
9/301; H04N 5/64; H05K 5/0204; H05K
5/0017; H05K 5/0217

See application file for complete search history.

(56) **References Cited**

U.S. PATENT DOCUMENTS

D430,121 S * 8/2000 Revoldini D14/374
D783,553 S * 4/2017 Kim D14/126
D802,549 S * 11/2017 Kim D14/126

(Continued)

Primary Examiner — Ramzi Almatrahi

(74) *Attorney, Agent, or Firm* — Birch, Stewart, Kolasch & Birch, LLP

(57) **CLAIM**

We claim the ornamental design for a television with rollable display, as shown and described.

DESCRIPTION

FIG. 1 is a top, front and right side perspective view of a television with rollable display, shown in condition of use with the display lifted up;

FIG. 2 is a top, rear and right side perspective view thereof;

FIG. 3 is a front elevation view thereof;

FIG. 4 is a rear elevation view thereof;

FIG. 5 is a left side elevation view thereof;

FIG. 6 is a right side elevation view thereof;

FIG. 7 is a top plan view thereof;

FIG. 8 is a bottom plan view thereof;

FIG. 9 is a top, front and right side perspective view thereof, shown with the display in a rolled down configuration;

FIG. 10 is a front elevation view thereof;

FIG. 11 is a rear elevation view thereof;

FIG. 12 is a left side elevation view thereof;

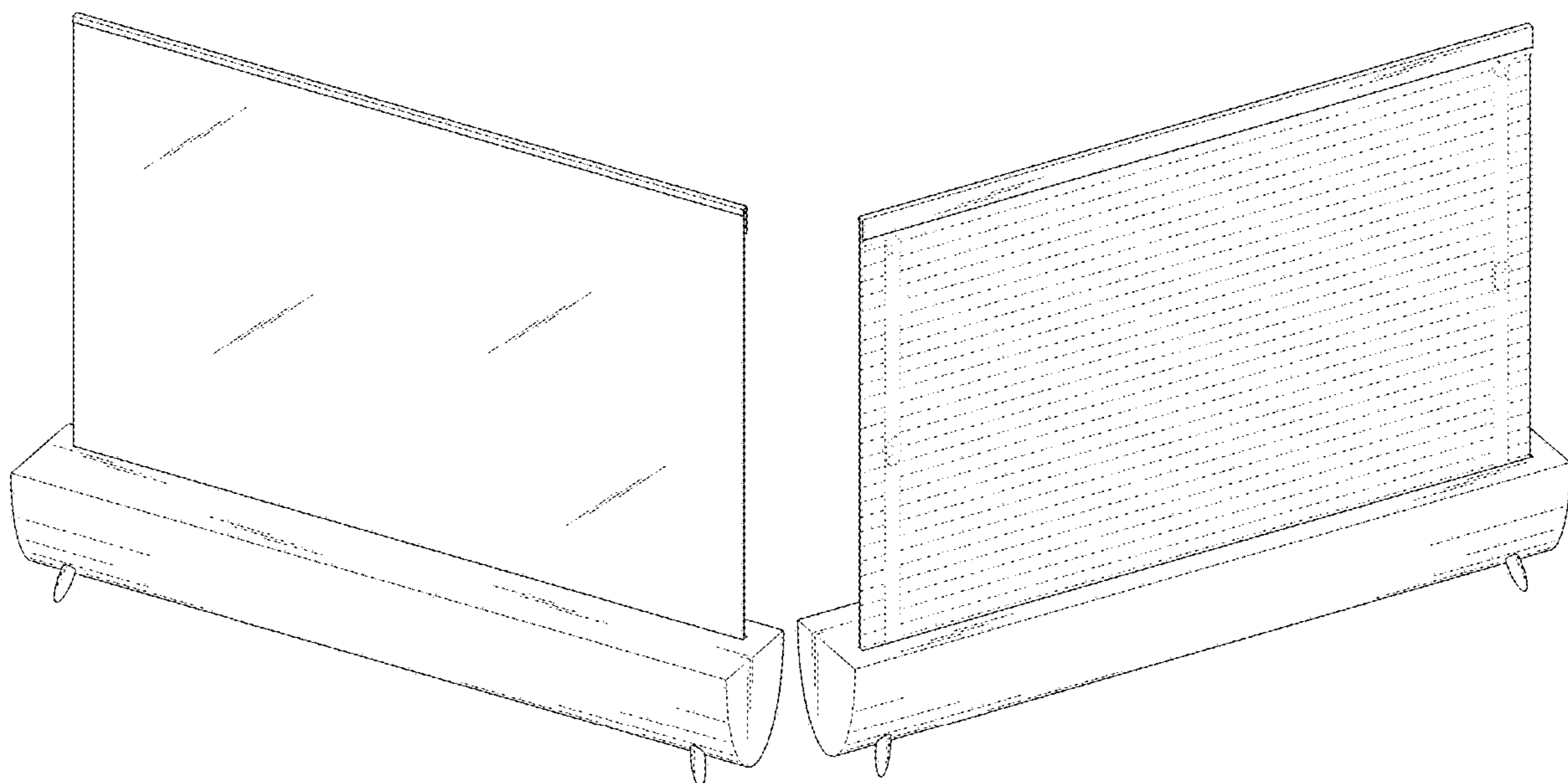
FIG. 13 is a right side elevation view thereof;

FIG. 14 is a top plan view thereof; and,

FIG. 15 is a bottom plan view thereof.

The broken lines depict portions of the television with rollable display in which the design is embodied that form no part of the claimed design.

1 Claim, 15 Drawing Sheets



(56)

References Cited

U.S. PATENT DOCUMENTS

D807,844 S * 1/2018 Kim D14/126
D875,815 S * 2/2020 Fest D16/241
D895,563 S * 9/2020 Cha D14/126
D900,762 S * 11/2020 Lee D14/126
D900,770 S * 11/2020 Lee D14/126
D901,410 S * 11/2020 Kim D14/126
D912,637 S * 3/2021 Lee D14/126
D915,316 S * 4/2021 Cha D14/126
2006/0279840 A1* 12/2006 Yamauchi G03B 21/56
359/461
2019/0278335 A1* 9/2019 Yeh G06F 1/1601

* cited by examiner

FIG. 1

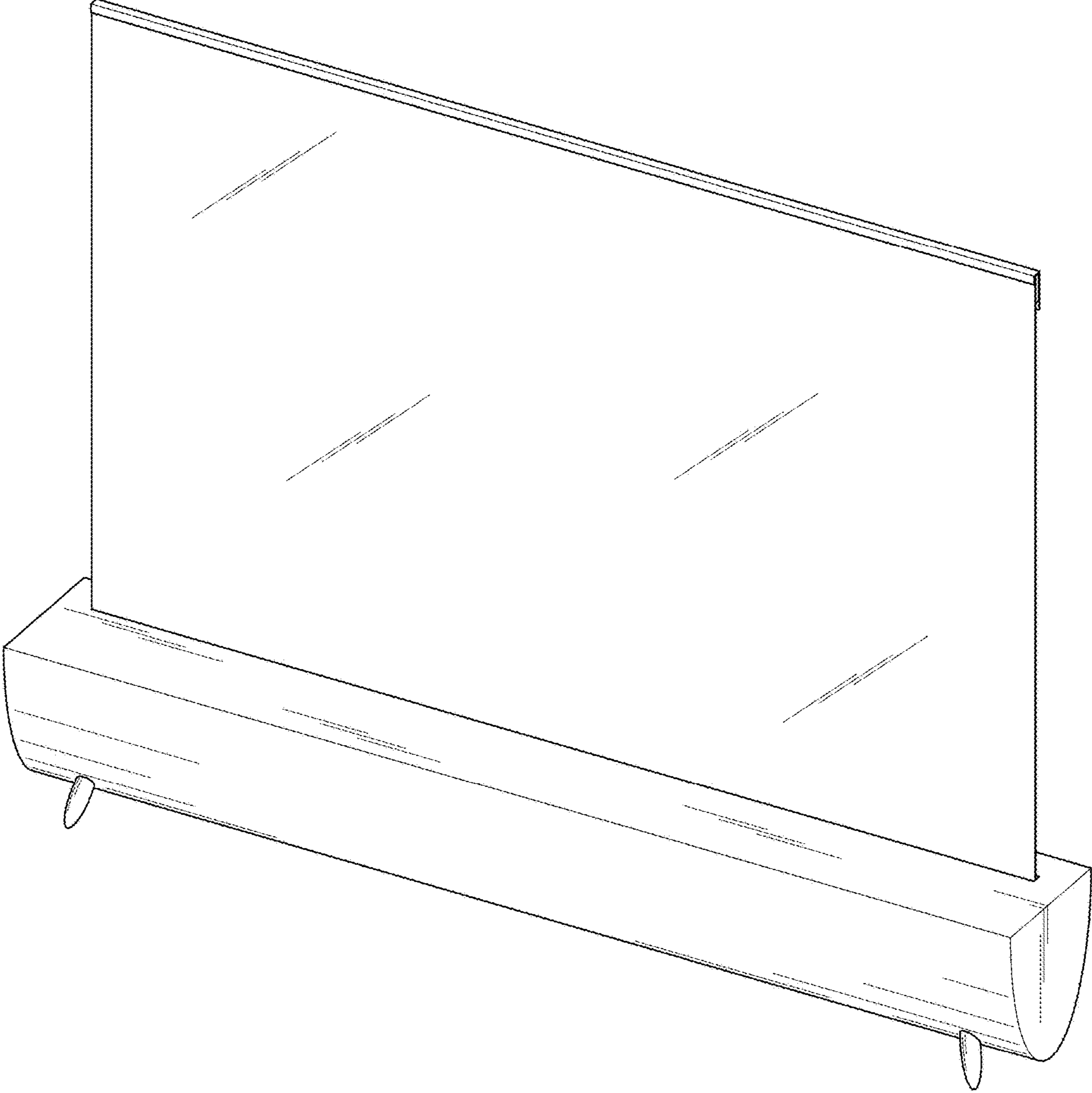


FIG. 2

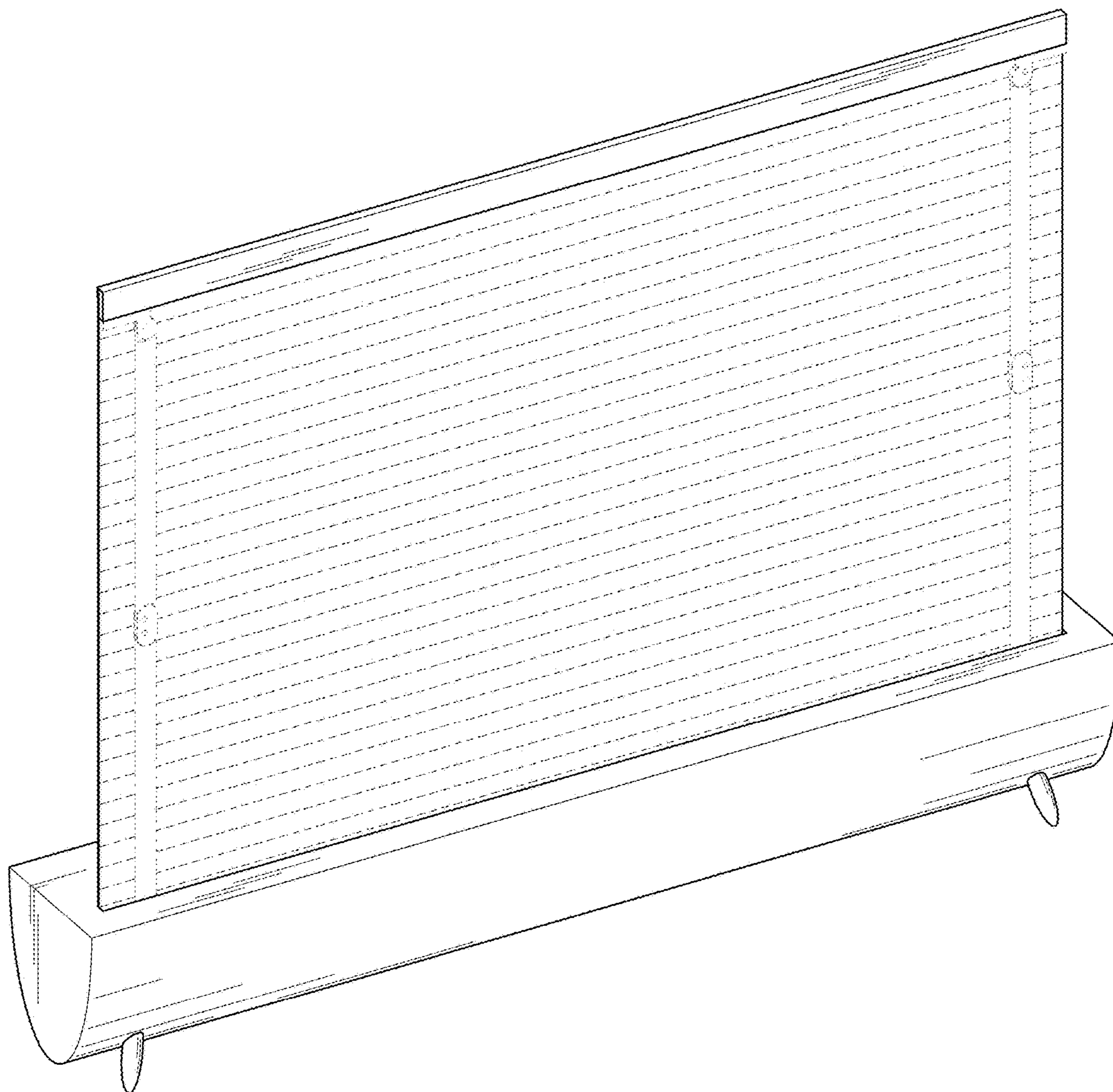


FIG. 3

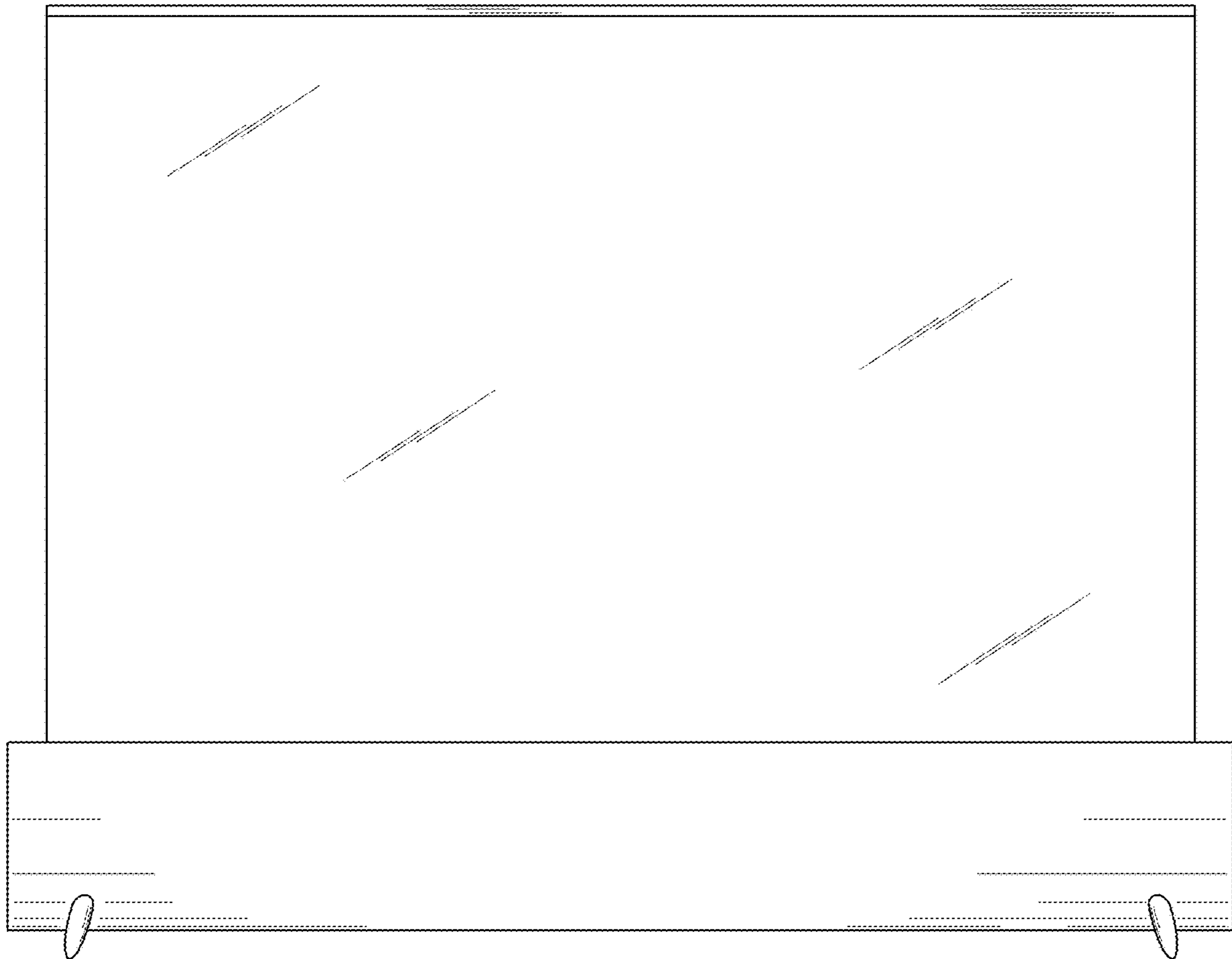


FIG. 4

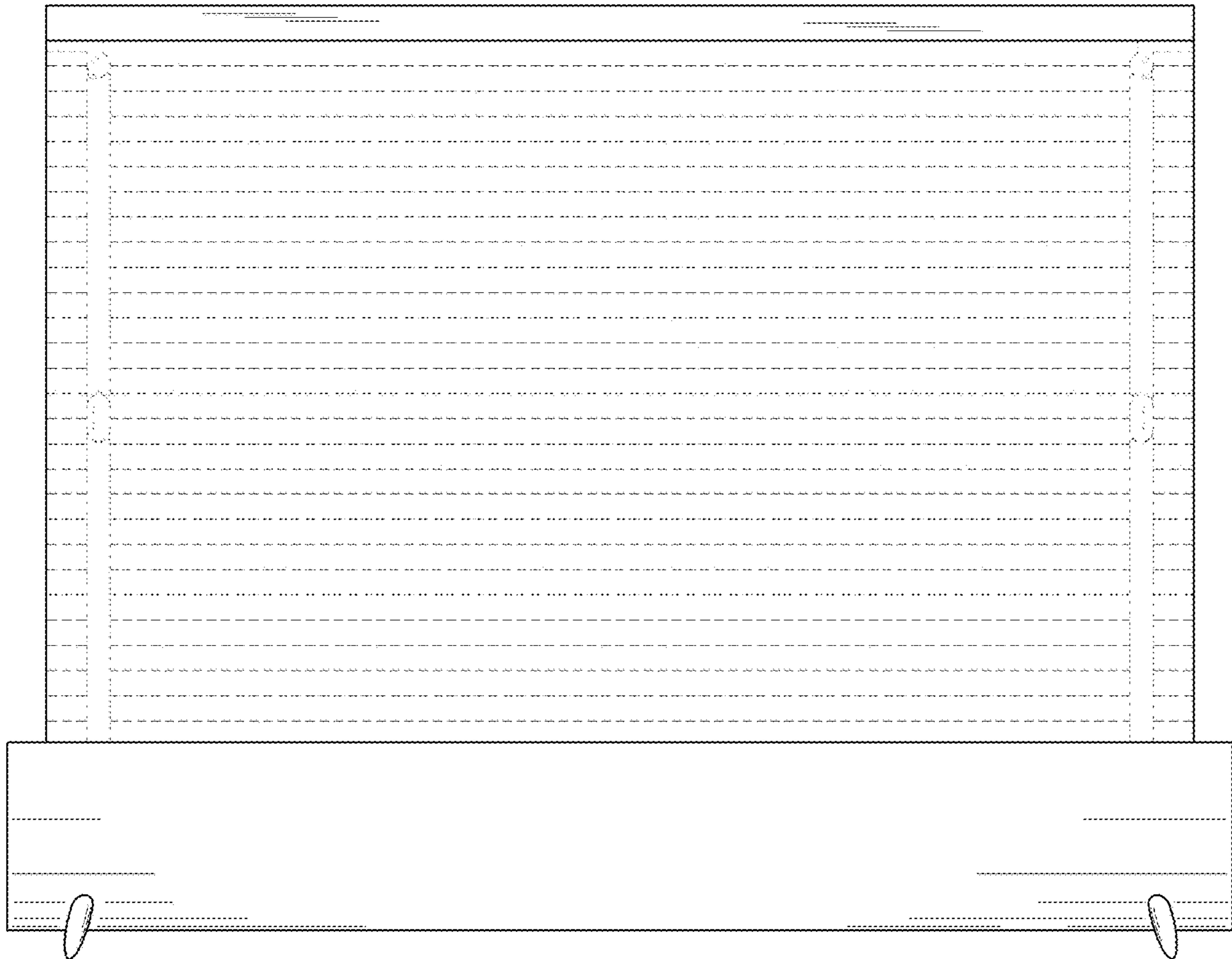


FIG. 5

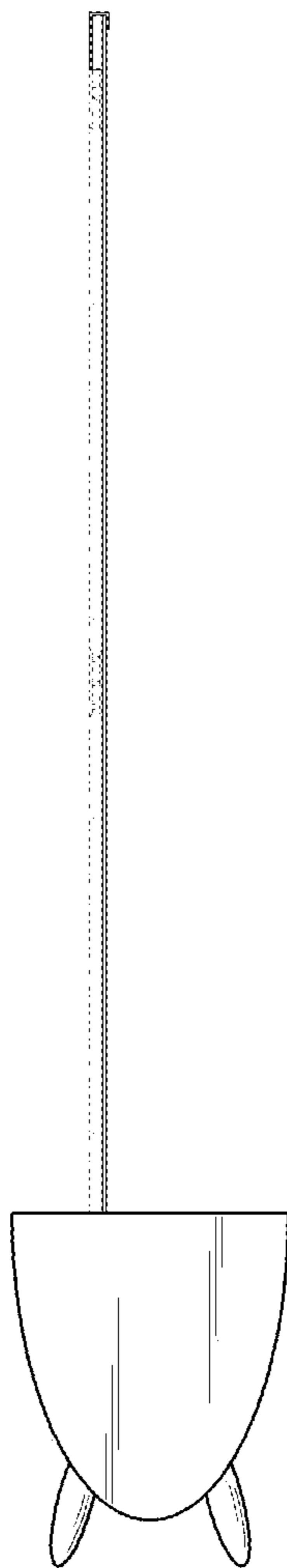


FIG. 6

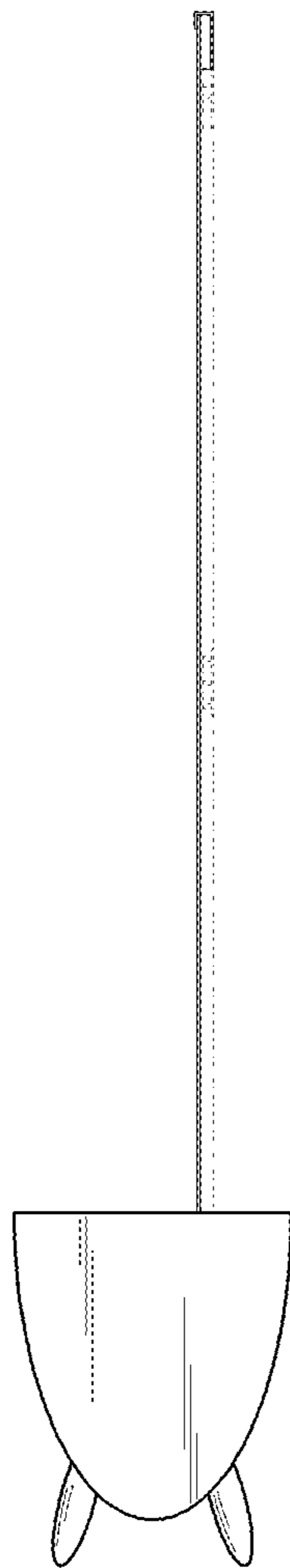


FIG. 7

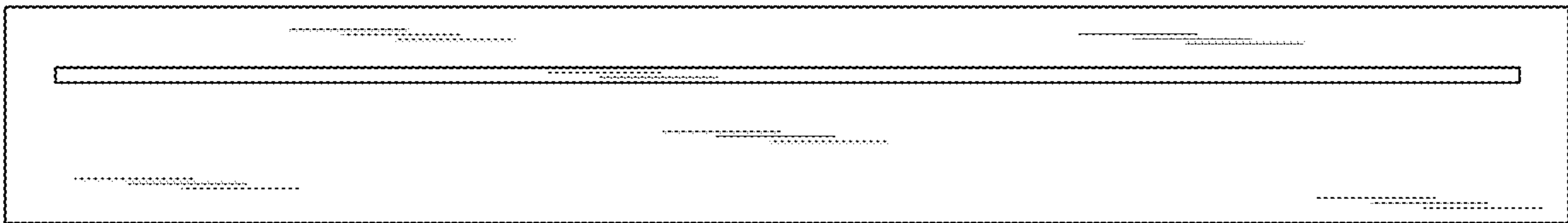


FIG. 8



FIG. 9

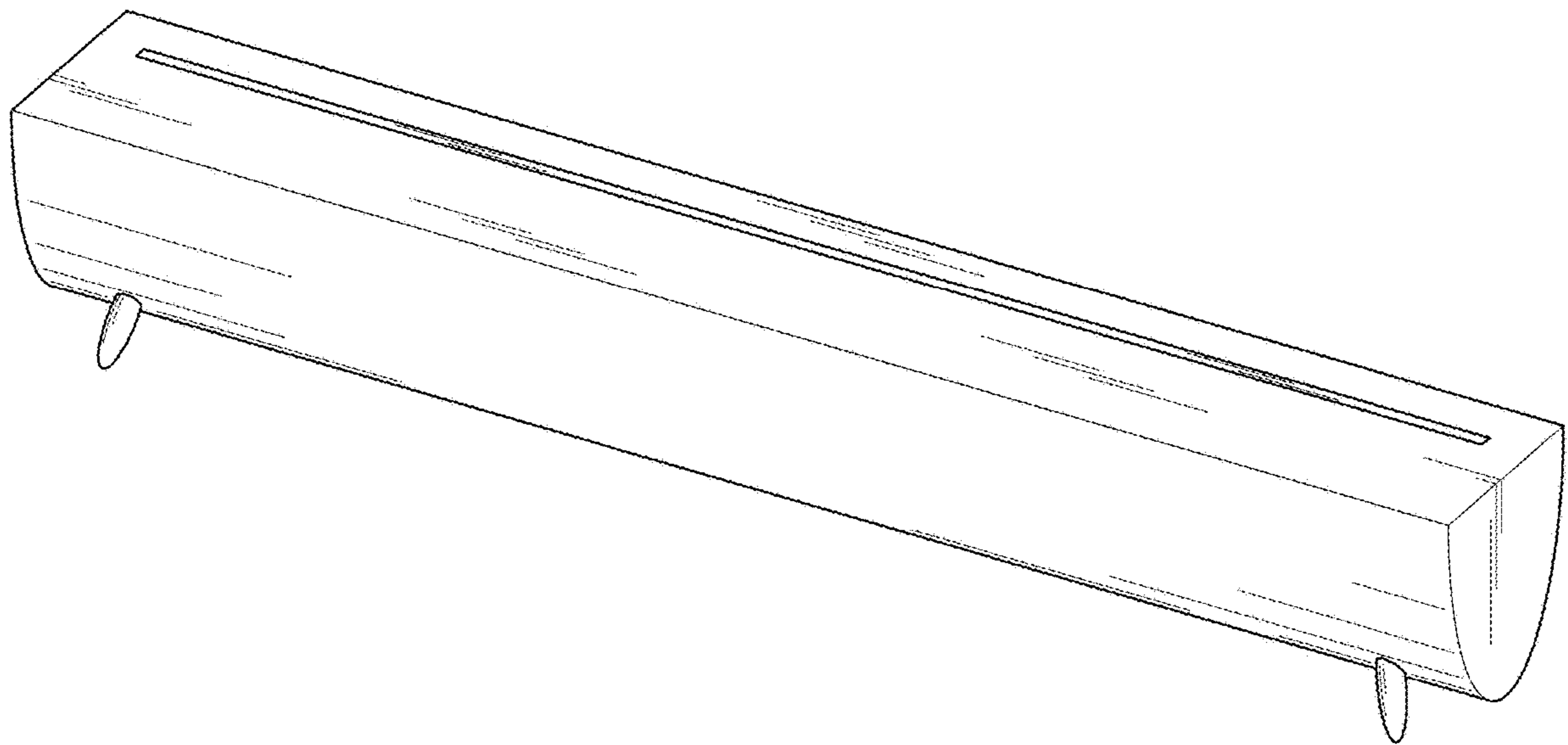


FIG. 10

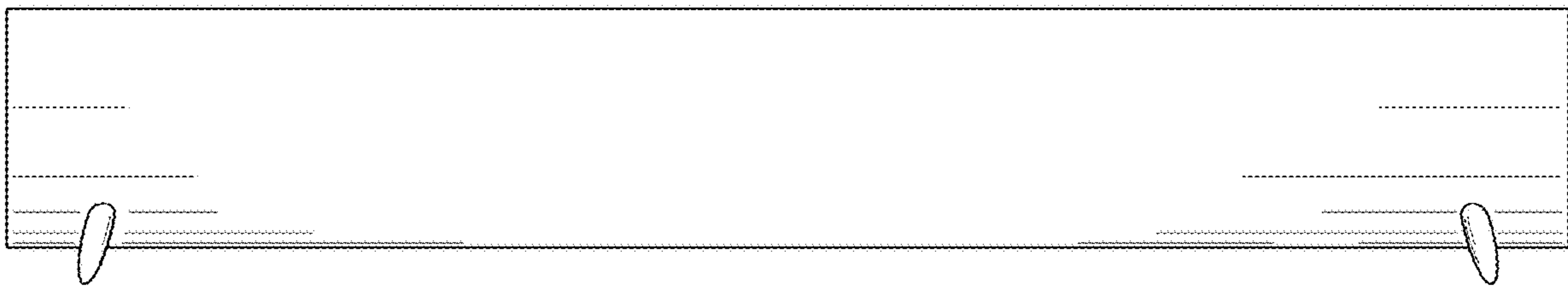


FIG. 11

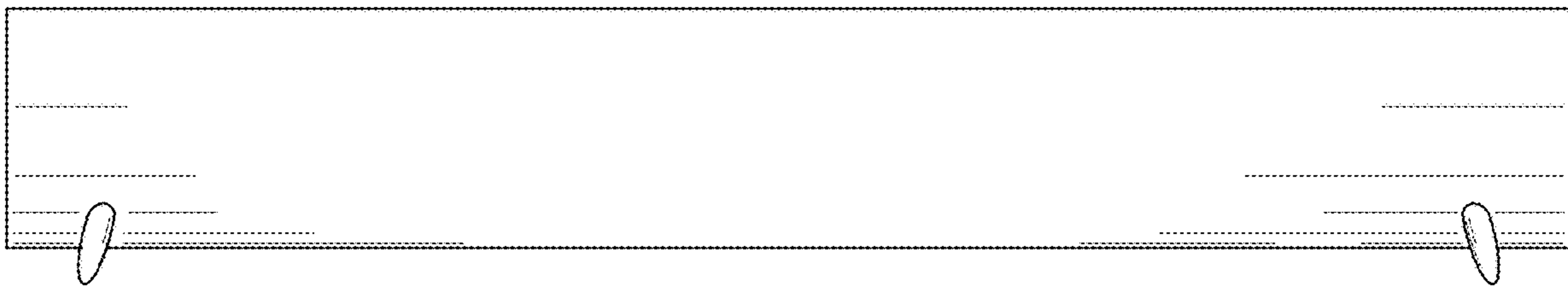


FIG. 12

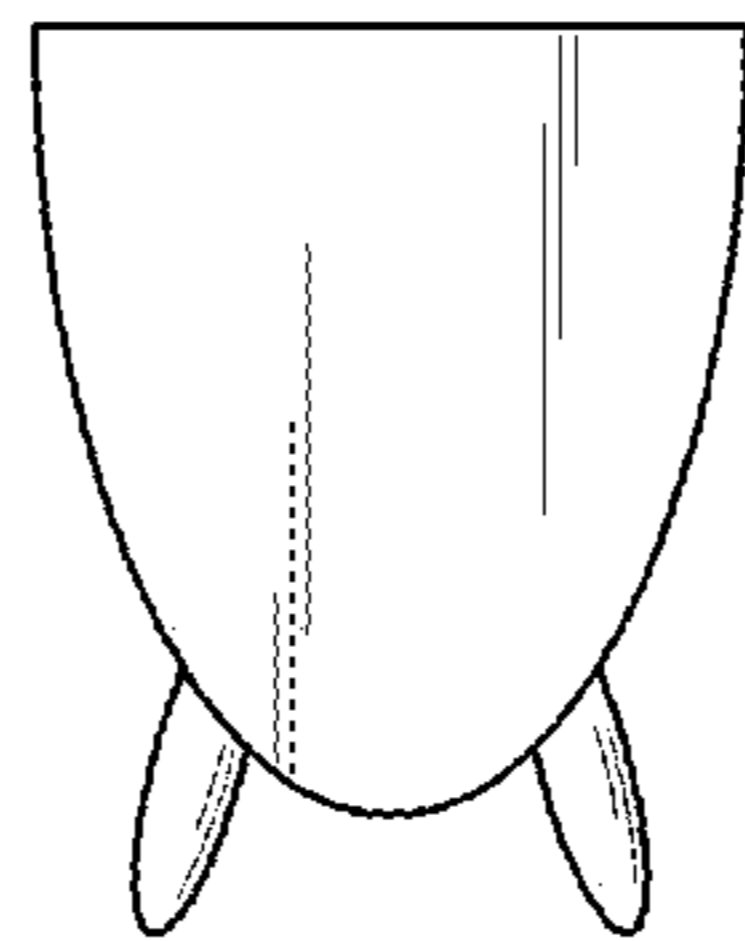


FIG. 13

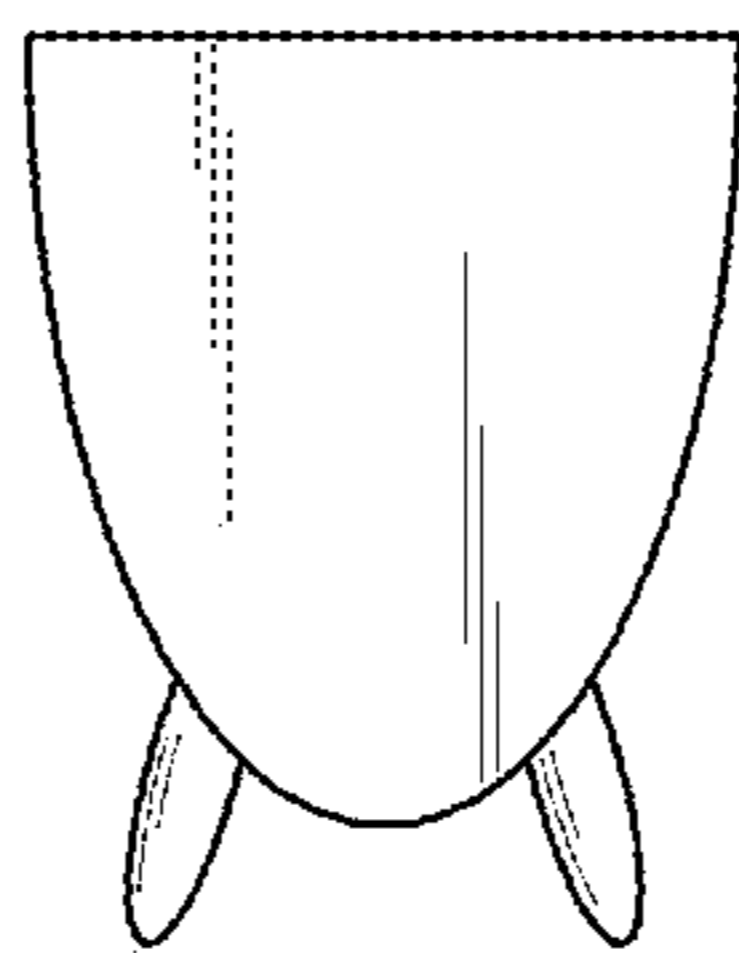


FIG. 14

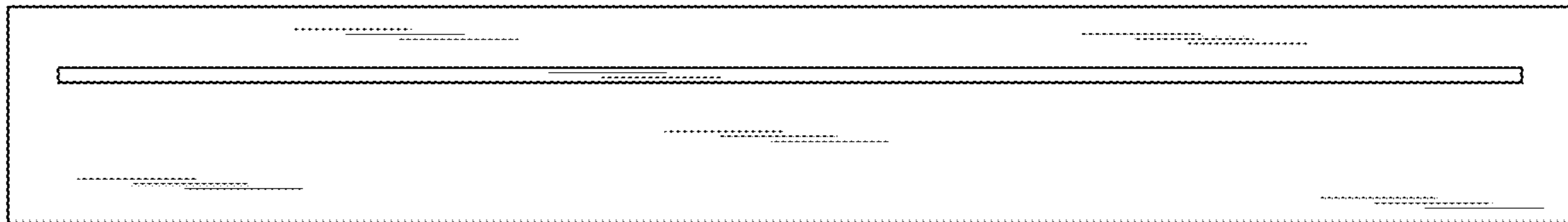


FIG. 15

