



US00D944221S

(12) **United States Design Patent**
Kim et al.

(10) **Patent No.:** **US D944,221 S**

(45) **Date of Patent:** **** Feb. 22, 2022**

(54) **TELEVISION WITH ROLLABLE DISPLAY**

(56) **References Cited**

(71) Applicant: **LG ELECTRONICS INC.**, Seoul (KR)

U.S. PATENT DOCUMENTS

(72) Inventors: **Seonkyu Kim**, Seoul (KR);
Youngkyoung Kim, Seoul (KR);
Yunjoo Kim, Seoul (KR); **Cheolwoong Shin**, Seoul (KR); **Minjae Lee**, Seoul (KR); **Hyunbyung Cha**, Seoul (KR)

D430,121 S * 8/2000 Revoldini D14/374
7,489,444 B1 * 2/2009 Adams G03B 21/60
359/461

(Continued)

(73) Assignee: **LG ELECTRONICS INC.**, Seoul (KR)

Primary Examiner — Ramzi Almatrahi
(74) *Attorney, Agent, or Firm* — Birch, Stewart, Kolasch & Birch, LLP

(**) Term: **15 Years**

(57) **CLAIM**

We claim the ornamental design for a television with rollable display, as shown and described.

(21) Appl. No.: **29/715,743**

DESCRIPTION

(22) Filed: **Dec. 4, 2019**

(30) **Foreign Application Priority Data**

Jun. 4, 2019 (KR) 30-2019-0026627

(51) **LOC (13) Cl.** **14-03**

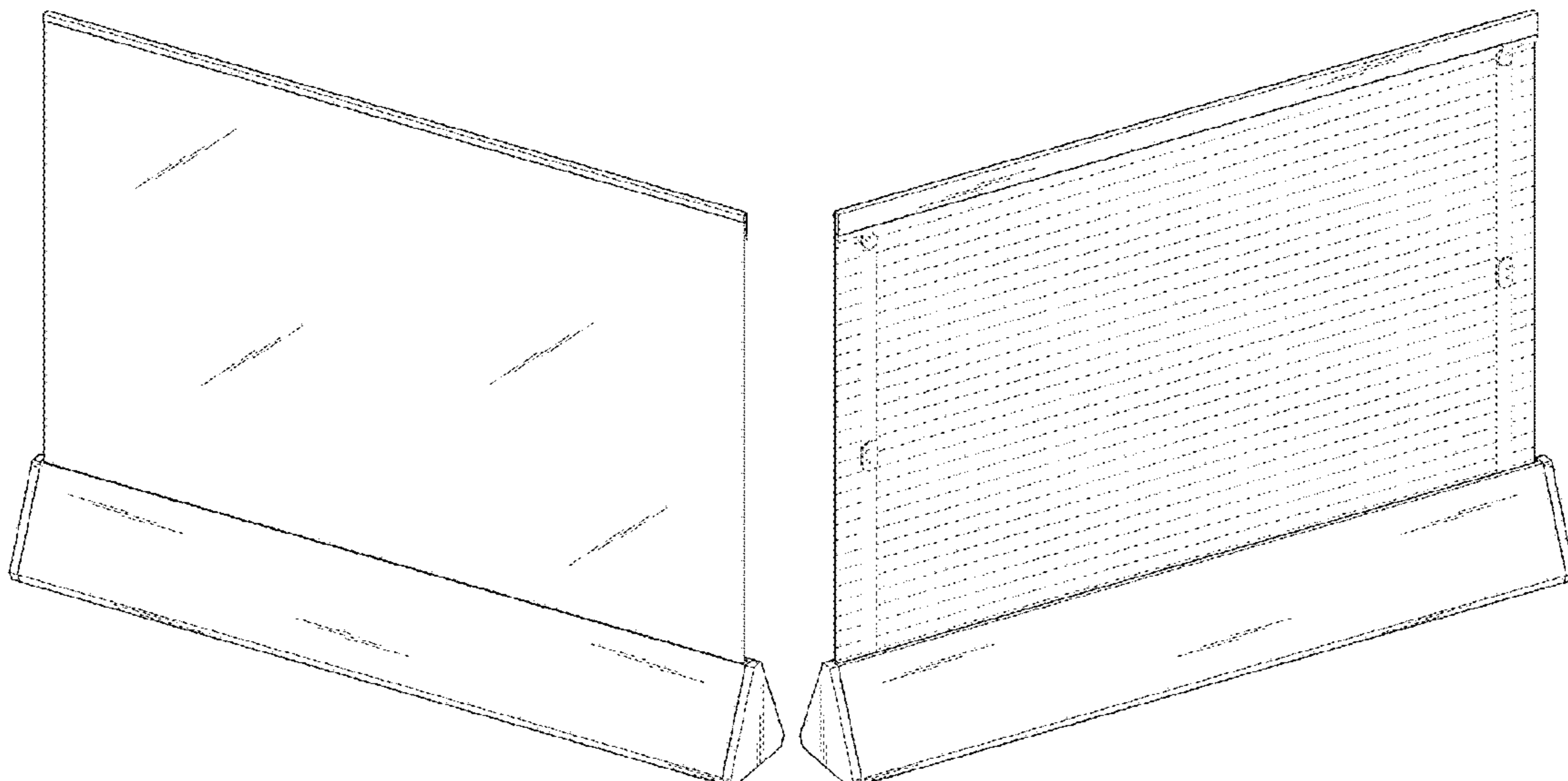
(52) **U.S. Cl.**
USPC **D14/126**

(58) **Field of Classification Search**
USPC D14/125-138, 138 AD, 138 G, 138 R,
D14/204, 239, 248, 314-316, 322, 326,
D14/334-336, 339, 340, 345, 341, 371,
D14/373-377, 448-450; D20/42, 43;
D21/324, 329, 332, 515; D6/300, 308,
D6/310, 314, 320, 332, 553, 642-643,
D6/650.1, 653.15, 654.15, 657, 661, 675;
D16/229, 235, 241
CPC A47G 1/1686; B66D 3/18; G03B 21/58;
G03B 21/56; G03B 21/60; G09F
15/0025; G09F 7/18; G09F 9/301; G09G
3/3225; G06F 1/16; G06F 1/1601; G06F
1/1637; G06F 1/1605; G06F 1/1647;
G06F 1/162;

FIG. 1 is a top, front and right side perspective view of a television with rollable display, shown in condition of use with the display lifted up;
FIG. 2 is a top, rear and right side perspective view thereof;
FIG. 3 is a front elevation view thereof;
FIG. 4 is a rear elevation view thereof;
FIG. 5 is a left side elevation view thereof;
FIG. 6 is a right side elevation view thereof;
FIG. 7 is a top plan view thereof;
FIG. 8 is a bottom plan view thereof;
FIG. 9 is a top, front and right side perspective view thereof, shown with the display in a rolled down configuration;
FIG. 10 is a front elevation view thereof;
FIG. 11 is a rear elevation view thereof;
FIG. 12 is a left side elevation view thereof;
FIG. 13 is a right side elevation view thereof;
FIG. 14 is a top plan view thereof; and,
FIG. 15 is a bottom plan view thereof.
The broken lines depict portions of the television with rollable display in which the design is embodied that form no part of the claimed design.

(Continued)

1 Claim, 15 Drawing Sheets



(58) **Field of Classification Search**

CPC G06F 1/1652; G06F 1/69; G06F 1/1615;
H05K 5/0204; H05K 5/0017; H05K
5/0217; H04N 5/64; H04N 5/232411;
H04M 1/0266; H04R 5/02; G02F
1/133308

See application file for complete search history.

(56) **References Cited**

U.S. PATENT DOCUMENTS

D607,916 S * 1/2010 Orion D16/241
D744,998 S * 12/2015 Ahn D14/341
D772,831 S * 11/2016 Han D14/126
D776,631 S * 1/2017 Kim D14/126
D802,549 S * 11/2017 Kim D14/126
D812,028 S * 3/2018 Kim D14/126
D828,317 S * 9/2018 Shin D14/138 R
D875,815 S * 2/2020 Fest D16/241
2013/0230202 A1* 9/2013 Widner H04R 5/02
381/333
2016/0139633 A1* 5/2016 Lee G06F 1/1652
345/33
2020/0035133 A1* 1/2020 Pyo G09F 9/301

* cited by examiner

FIG. 1

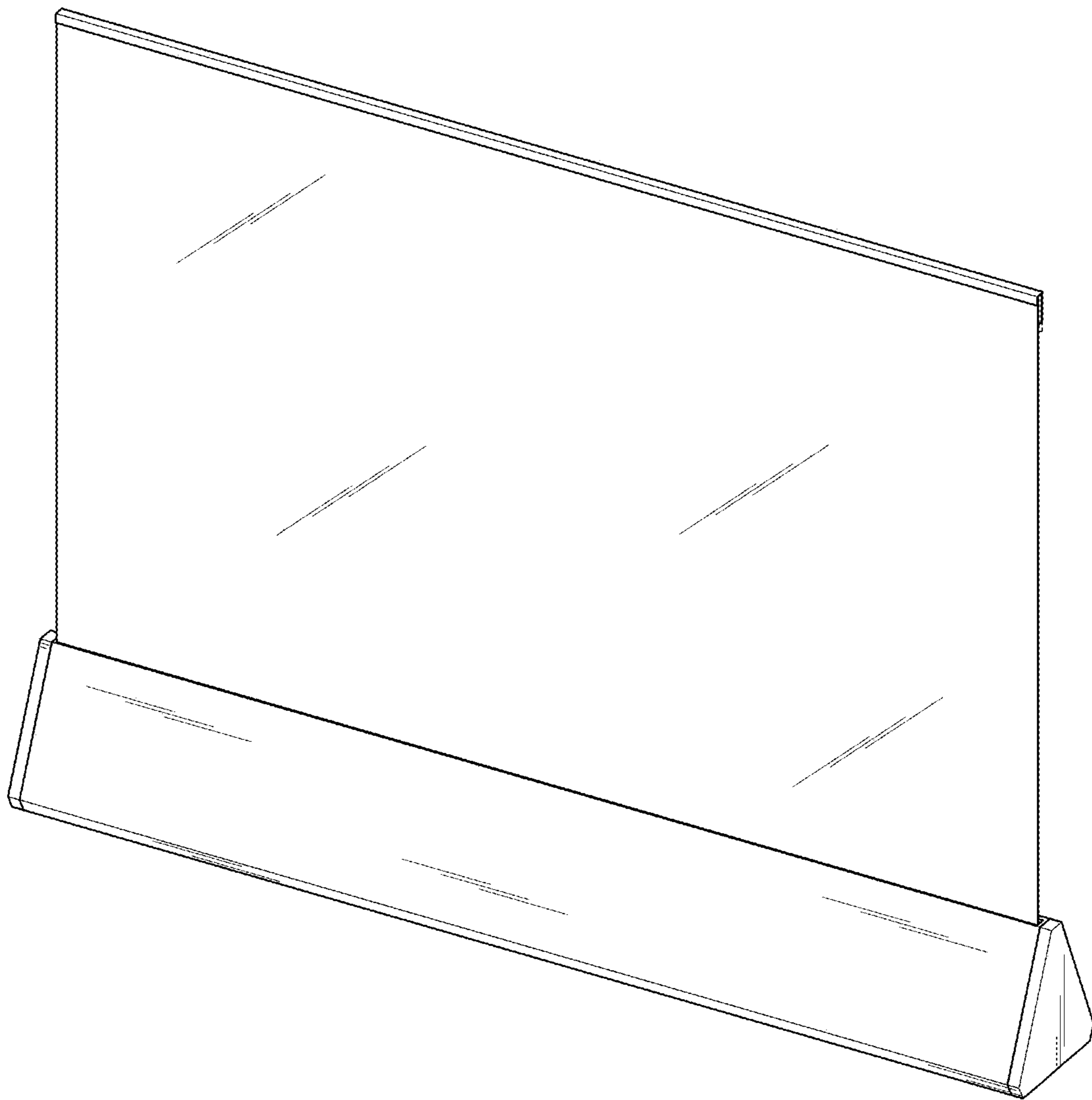


FIG. 2

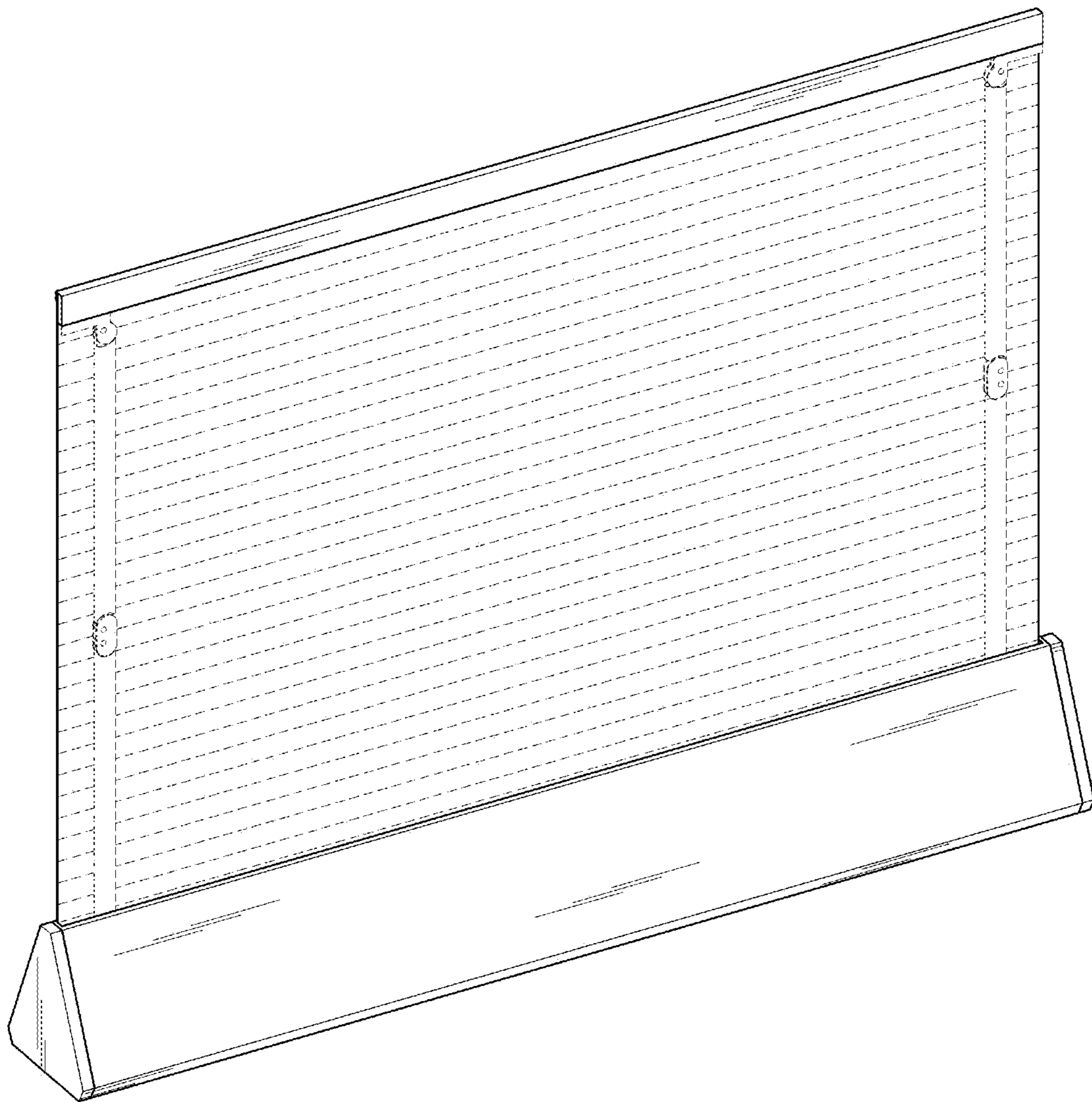


FIG. 3

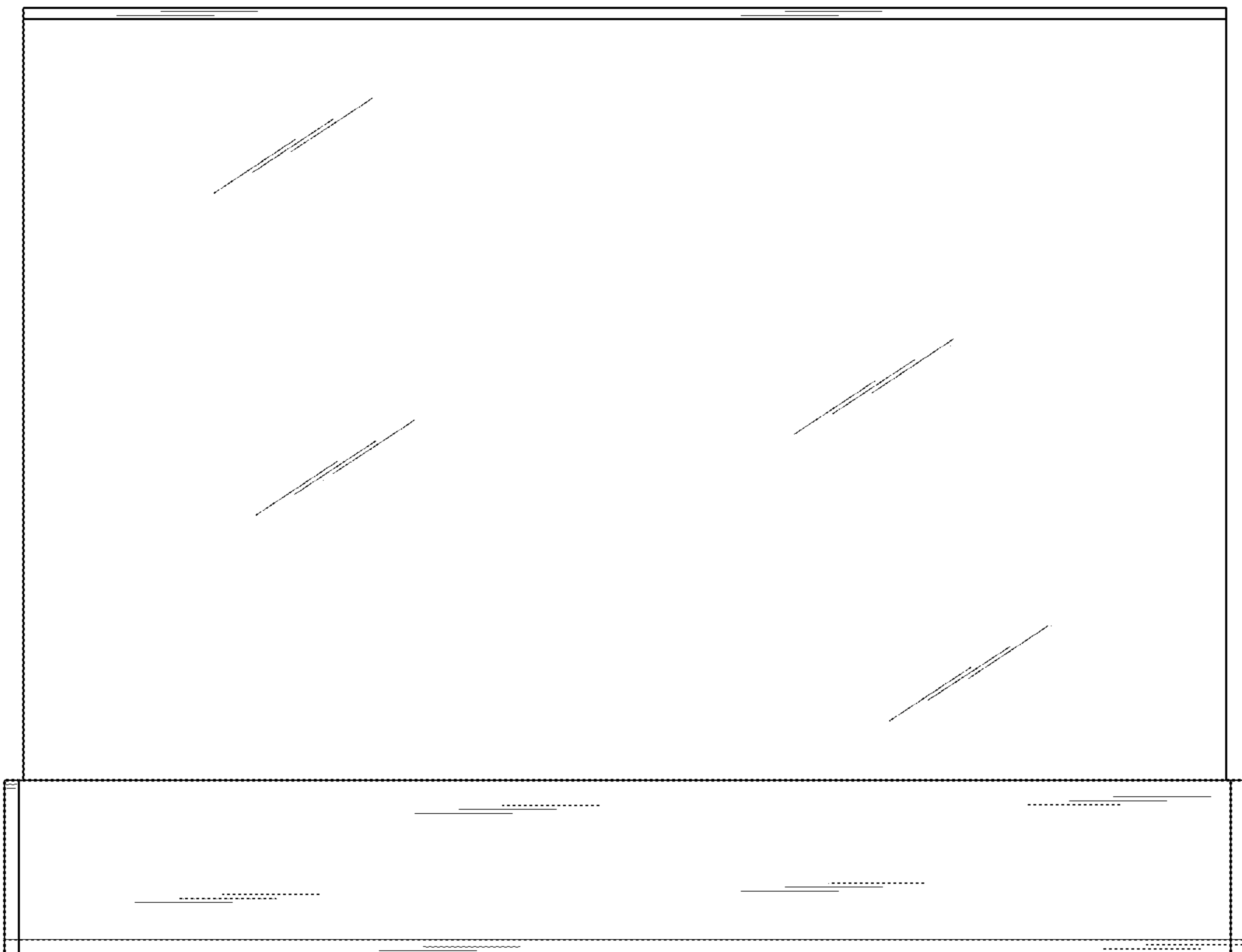


FIG. 4

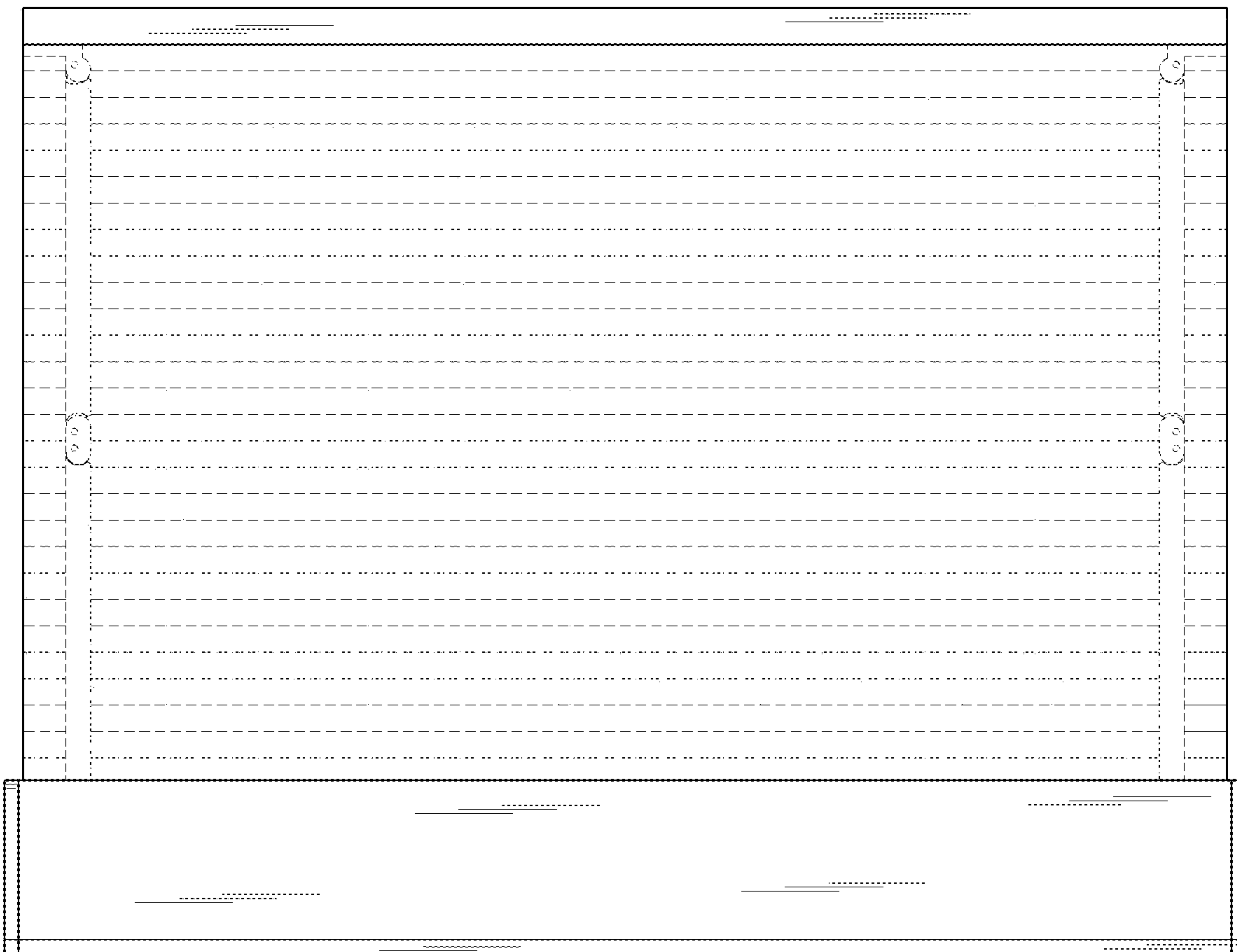


FIG. 5

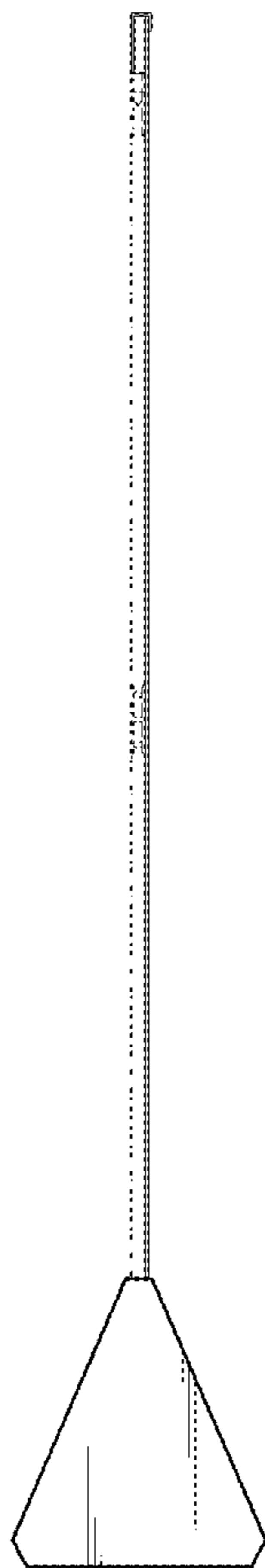


FIG. 6

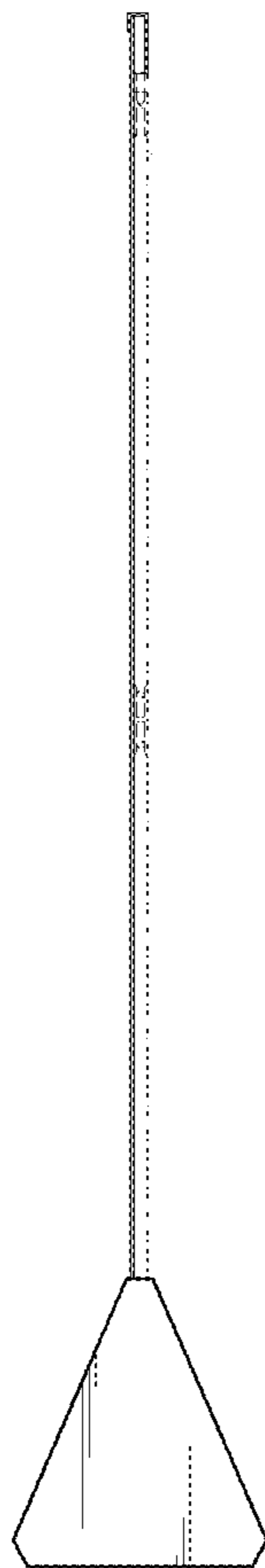


FIG. 7

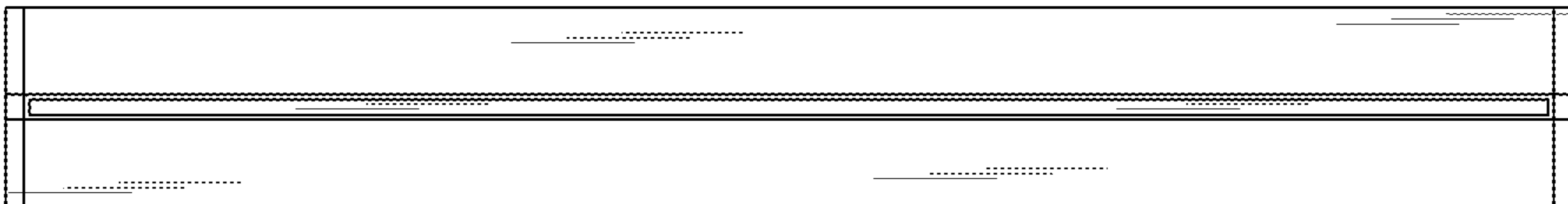


FIG. 8

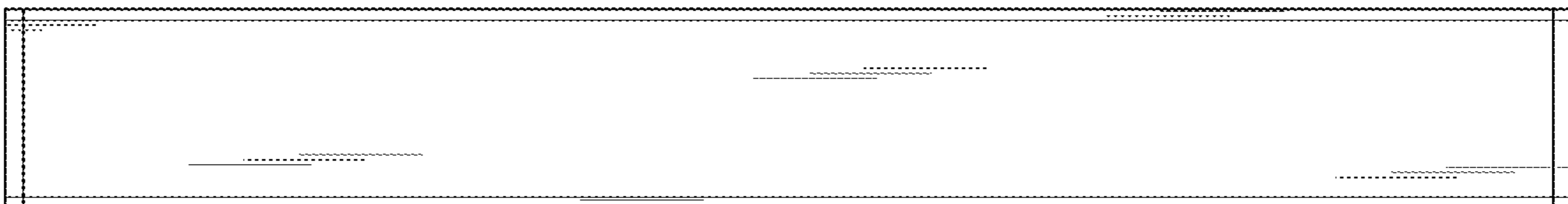


FIG. 9

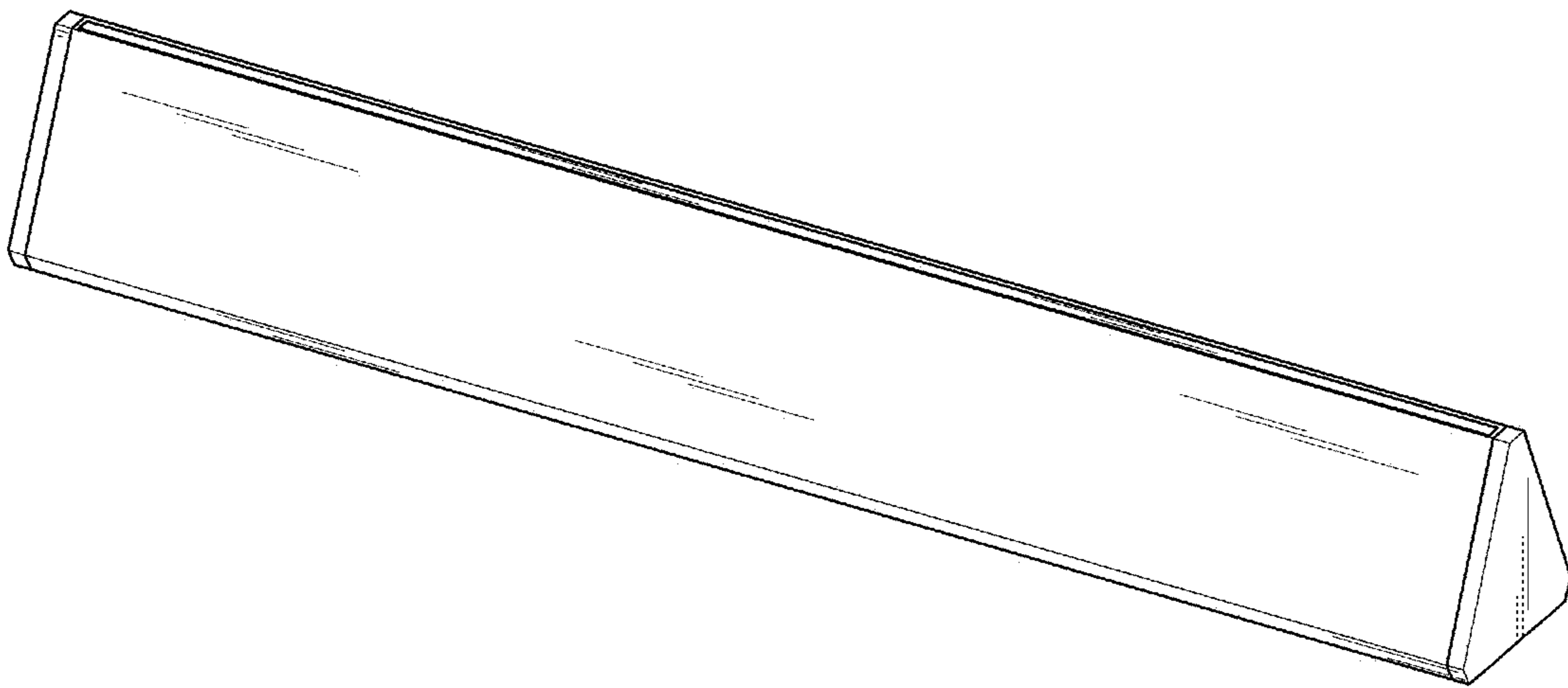


FIG. 10

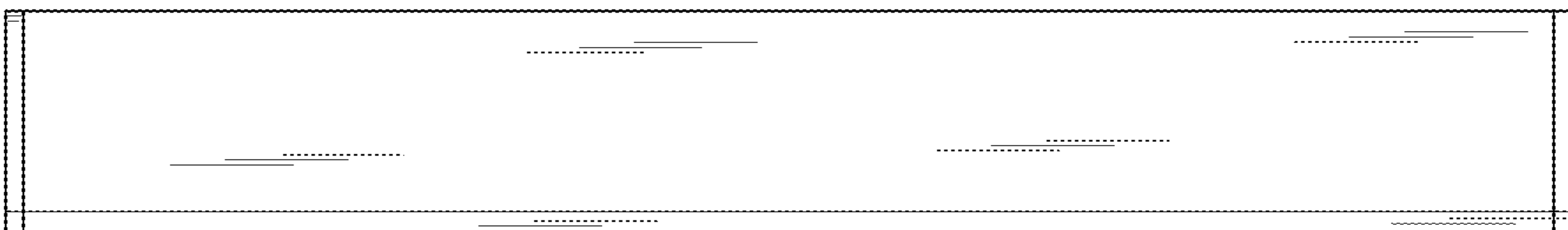


FIG. 11

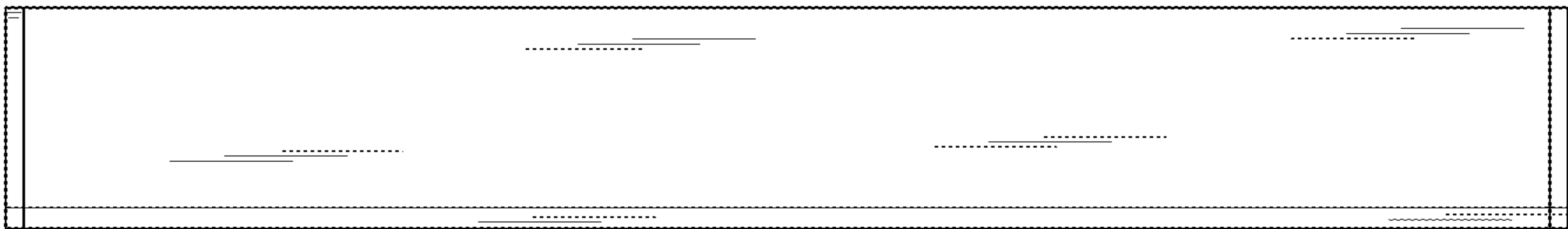


FIG. 12

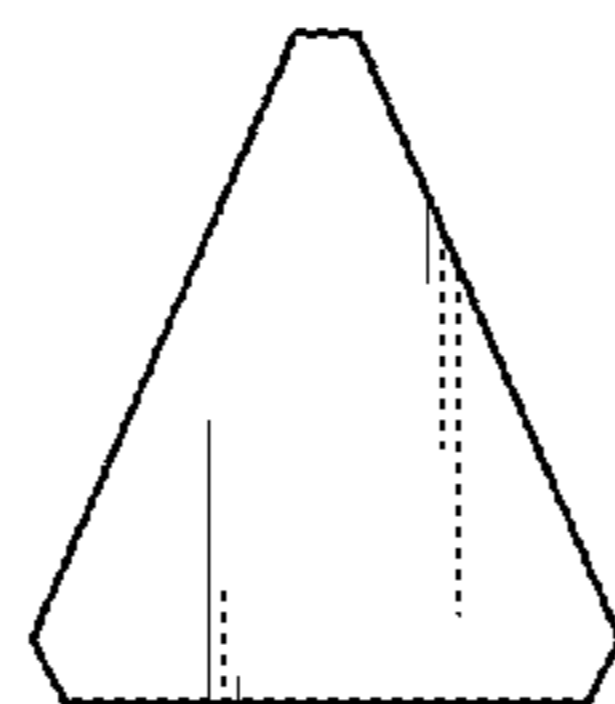


FIG. 13

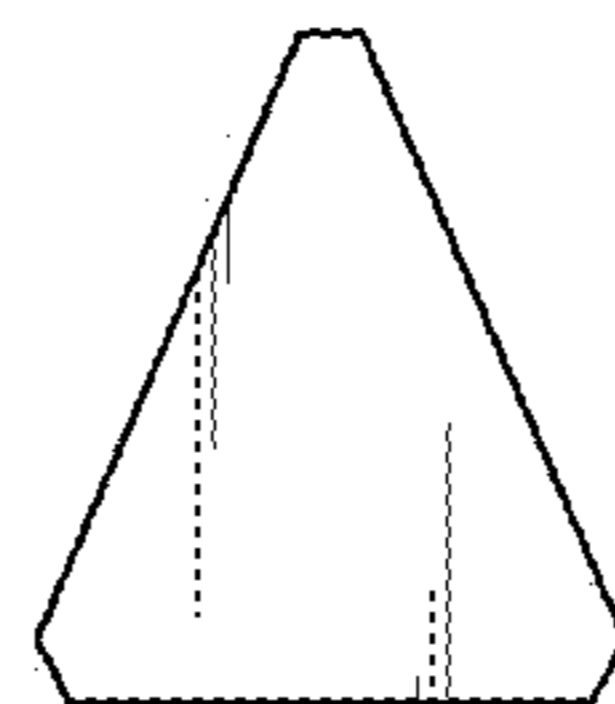


FIG. 14

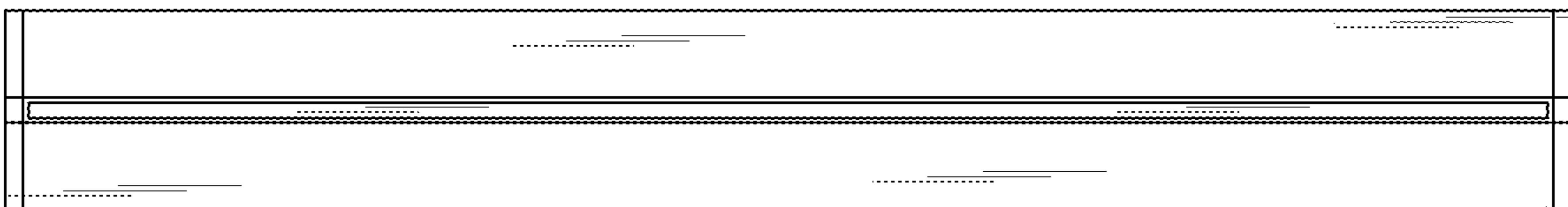


FIG. 15

