



US00D944219S

(12) **United States Design Patent** (10) **Patent No.:** **US D944,219 S**
McBride et al. (45) **Date of Patent:** **** Feb. 22, 2022**

(54) **CIRCUIT BOARD**

(71) Applicant: **THE NOCO COMPANY**, Glenwillow, OH (US)

(72) Inventors: **James P. McBride**, Phoenix, AZ (US); **Matthew Michael Bosway**, Gilbert, AZ (US)

(73) Assignee: **THE NOCO COMPANY**, Glenwillow, OH (US)

(**) Term: **15 Years**

(21) Appl. No.: **29/652,046**

(22) Filed: **Apr. 23, 2020**

Related U.S. Application Data

(63) Continuation-in-part of application No. 16/564,758, filed on Sep. 9, 2019, and a continuation-in-part of application No. 29/704,995, filed on Sep. 9, 2019, and a continuation-in-part of application No. 29/704,997, filed on Sep. 9, 2019, and a continuation-in-part of application No. 29/705,002, filed on Sep. 9, 2019, and a continuation-in-part of application No. 29/705,007, filed on Sep. 9, 2019, now Pat. No. Des. 930,601, and a continuation-in-part of application No. 29/705,008, filed on Sep. 9, 2019, said application No. 29/704,995 is a continuation of application No. 16/564,758, filed on Sep. 9, 2019, said application No. 29/704,997 is a continuation of application No. 16/564,758, filed on Sep. 9, 2019, said application No. 29/705,002 is a continuation of application No. 16/564,758, filed on Sep. 9, 2019, said application No. 29/705,007 is a continuation of application No. 16/564,758, filed on Sep. 9, 2019, said application No. 29/705,008 is a continuation of application No. 16/564,758, filed on Sep. 9, 2019.

(51) **LOC (13) Cl.** **13-03**

(52) **U.S. Cl.**
USPC **D13/182**

(58) **Field of Classification Search**

USPC D13/182; 361/748, 752, 760, 761, 807, 361/808, 736, 719, 720; 174/250, 253, 174/255, 68.1; 363/144, 147

CPC H05K 3/30; H05K 3/301; H05K 3/284; H05K 3/303; H05K 1/18; H05K 1/181; H05K 1/182; H05K 1/183; H05K 1/185; H05K 1/00; H05K 7/1417; H05K 7/02; H05K 7/12; H05K 7/06; H01L 2924/14

See application file for complete search history.

(56) **References Cited**

U.S. PATENT DOCUMENTS

D327,883 S * 7/1992 Gloton D13/182
D328,599 S * 8/1992 Gloton D13/182
D459,706 S * 7/2002 Ebihara D13/182
D466,093 S * 11/2002 Ebihara D13/182

(Continued)

Primary Examiner — Elizabeth J Oswecki

(74) *Attorney, Agent, or Firm* — Vorys, Sater, Seymour & Pease LLP; William Klima; Jonathan Nook

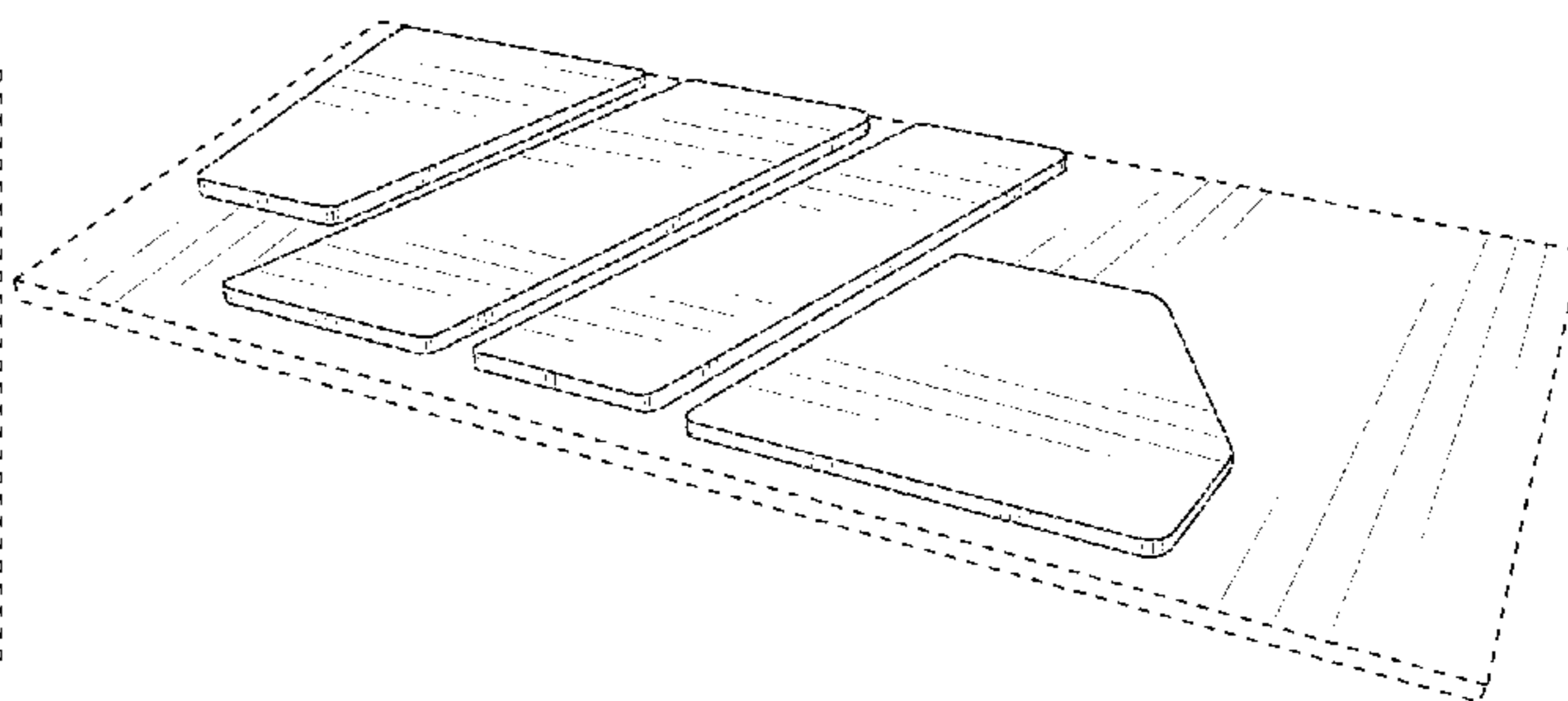
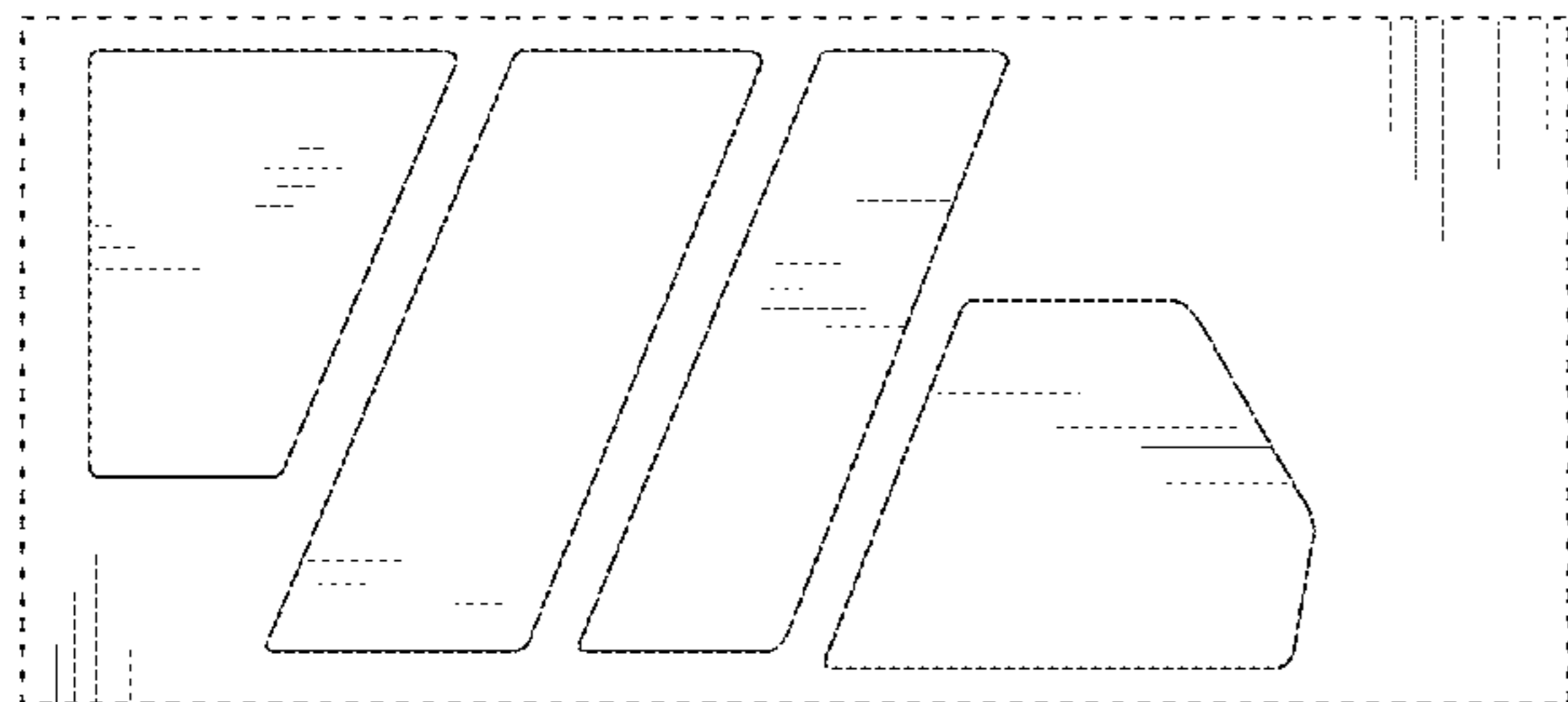
(57) **CLAIM**

The ornamental design for a circuit board, as shown and described.

DESCRIPTION

FIG. 1 is a front elevational view of a circuit board showing our new design;
FIG. 2 is a perspective view thereof;
FIG. 3 is a rear elevational view thereof;
FIG. 4 is a top plan view thereof;
FIG. 5 is a bottom plan view thereof;
FIG. 6 is a left side elevational view thereof; and,
FIG. 7 is a right side elevational view thereof.
The broken lines shown in the drawings depict portions of the circuit board that form no part of the claimed design.

1 Claim, 5 Drawing Sheets



(56)

References Cited

U.S. PATENT DOCUMENTS

D471,167 S *	3/2003	Ebihara	D13/182	D759,022 S *	6/2016	Beals	D14/436
D471,524 S *	3/2003	Ebihara	D13/182	D772,232 S *	11/2016	Cho	D14/436
D547,371 S *	7/2007	Miller	D19/1	D783,621 S *	4/2017	Lee	D14/436
D552,098 S *	10/2007	Nishizawa	D14/436	D813,182 S *	3/2018	Imai	D13/182
D637,193 S *	5/2011	Andre	D14/436	D814,473 S *	4/2018	Kadonaga	D14/436
D639,756 S *	6/2011	Greene, Jr.	D13/182	D837,171 S *	1/2019	Vasoya	D13/182
D642,546 S *	8/2011	Greene, Jr.	D13/182	D848,432 S *	5/2019	Lim	D14/436
D669,478 S *	10/2012	Lepp	D14/436	D856,948 S *	8/2019	Vasoya	D13/182
D669,479 S *	10/2012	Lepp	D14/436	D864,968 S *	10/2019	Beals	D14/436
D673,921 S *	1/2013	Ozawa	D13/182	D869,469 S *	12/2019	Lim	D14/436
D673,922 S *	1/2013	Moriai	D13/182	D869,470 S *	12/2019	Lim	D14/436
D690,672 S *	10/2013	Yoshida	D13/182	D872,032 S *	1/2020	Morelli	D13/147
D734,756 S *	7/2015	Stone	D14/436	D872,033 S *	1/2020	Morelli	D13/147
D735,203 S *	7/2015	Kim	D14/436	D893,439 S *	8/2020	Vasoya	D13/182
D735,204 S *	7/2015	Kim	D14/436	D902,164 S *	11/2020	Kondo	D13/182
D736,212 S *	8/2015	Kang	D14/436	D909,319 S *	2/2021	Nordeen	D13/182
D736,213 S *	8/2015	Kang	D14/436	2003/0081387 A1 *	5/2003	Schulz	H05K 1/117 361/728
D736,216 S *	8/2015	Kang	D14/436	2006/0097374 A1 *	5/2006	Egawa	H01L 24/05 257/686
D739,856 S *	9/2015	Kang	D14/436	2009/0268390 A1 *	10/2009	King	G06F 13/409 361/679.33
D757,015 S *	5/2016	Amit	D14/435				

* cited by examiner

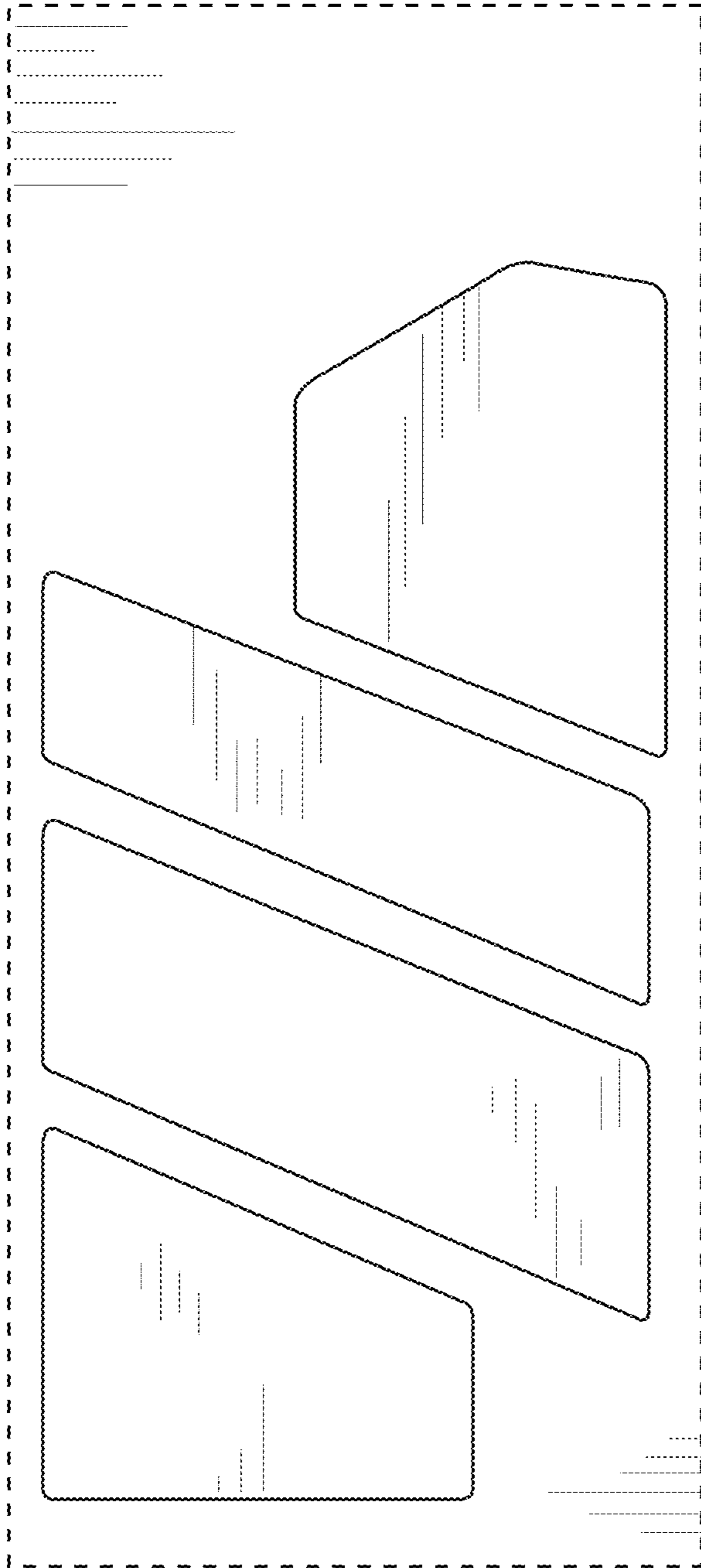


FIG. 1

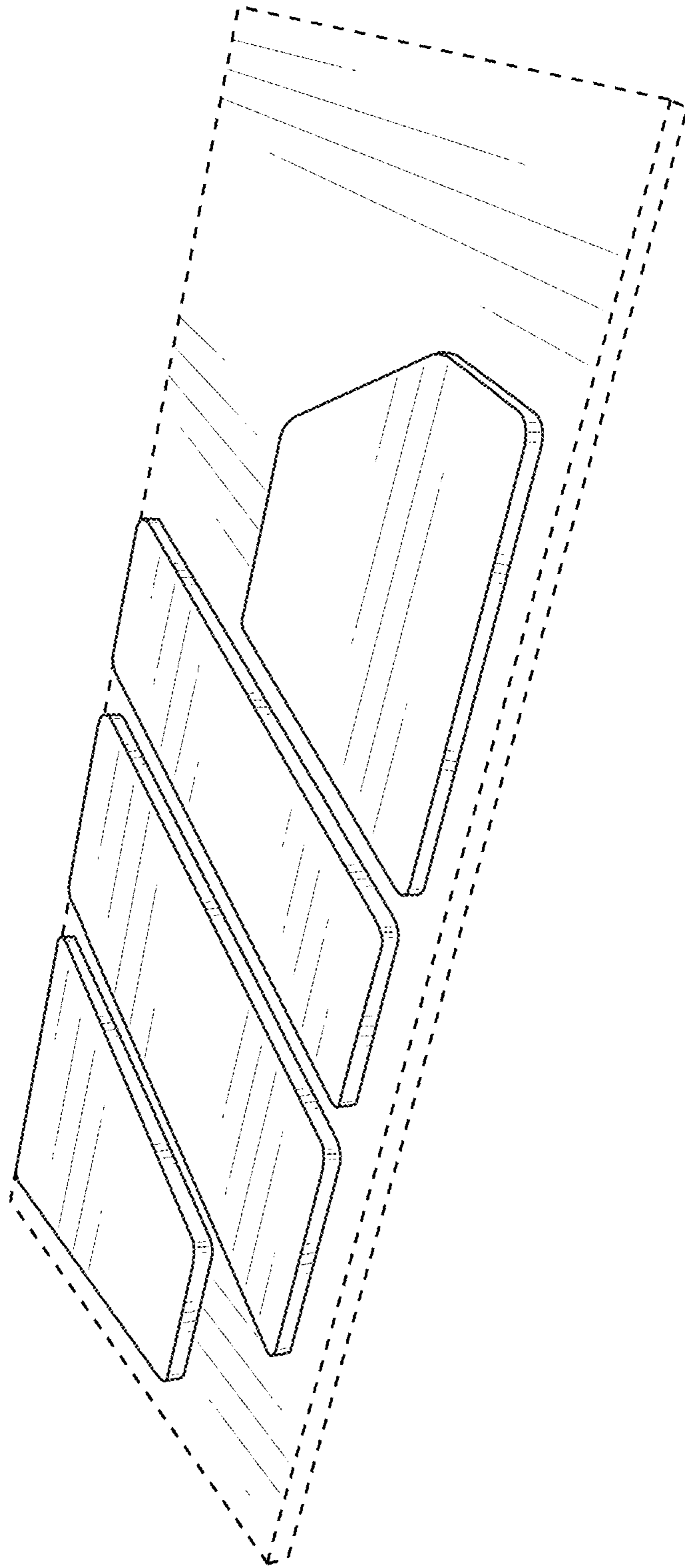


FIG. 2

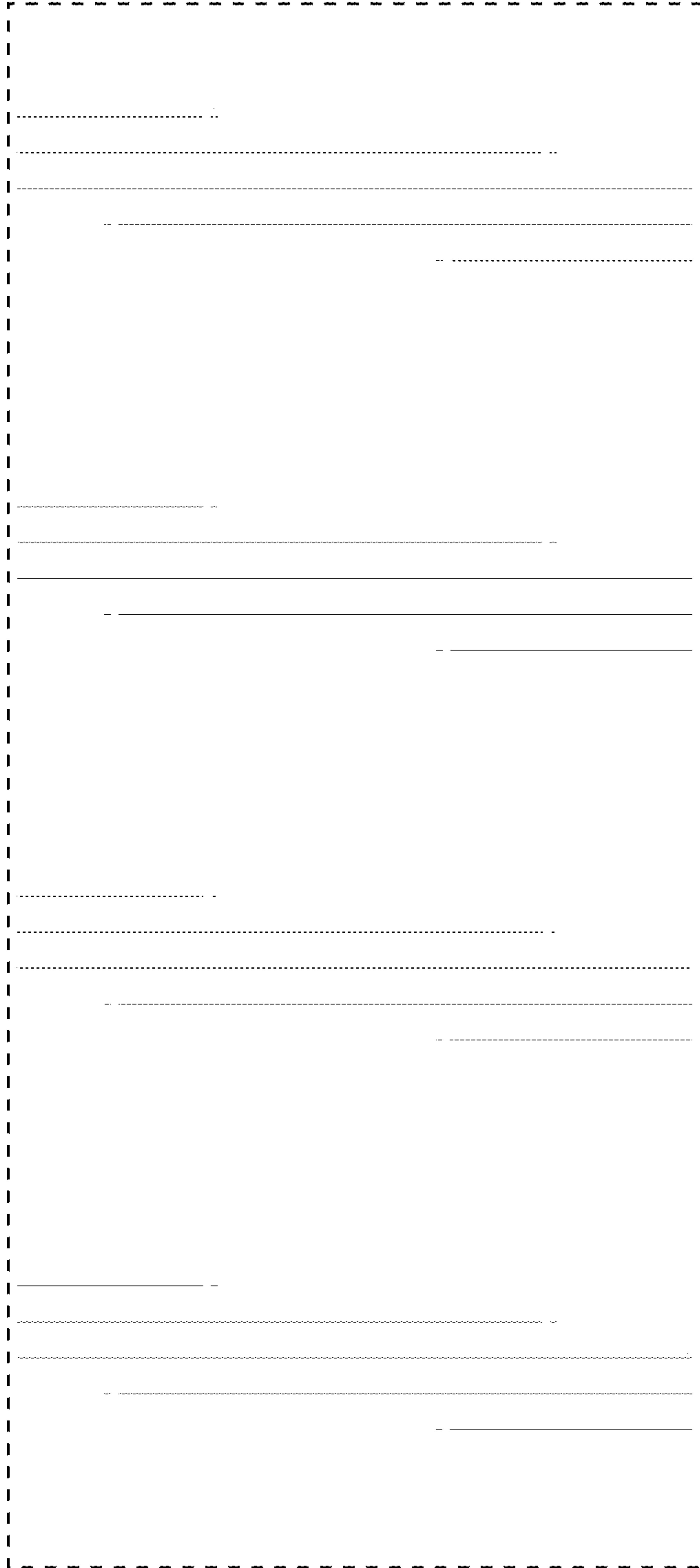


FIG. 3



FIG. 4



FIG. 5



FIG. 6



FIG. 7