



US00D944218S

(12) **United States Design Patent** (10) **Patent No.:** **US D944,218 S**
Kao et al. (45) **Date of Patent:** **** Feb. 22, 2022**

(54) **LIGHT EMITTING DIODE**

(71) Applicant: **EPISTAR CORPORATION**, Hsinchu (TW)

(72) Inventors: **Hui-Fang Kao**, Hsinchu (TW);
Yao-Ning Chan, Hsinchu (TW);
Hao-Chun Liang, Hsinchu (TW);
Shih-Chang Lee, Hsinchu (TW)

(73) Assignee: **EPISTAR CORPORATION**, Hsinchu (TW)

(**) Term: **15 Years**

(21) Appl. No.: **29/798,333**

(22) Filed: **Jul. 7, 2021**

Related U.S. Application Data

(62) Division of application No. 29/679,564, filed on Feb. 7, 2019, now Pat. No. Des. 928,104.

(30) **Foreign Application Priority Data**

Aug. 8, 2018 (TW) 107304600

(51) **LOC (13) Cl.** **13-03**

(52) **U.S. Cl.**
USPC **D13/180**

(58) **Field of Classification Search**
USPC D13/180; D26/1

(Continued)

(56) **References Cited**

U.S. PATENT DOCUMENTS

D579,019 S 10/2008 Lei et al.
D648,287 S 11/2011 Hsu et al.

(Continued)

Primary Examiner — Selina Sikder

(74) *Attorney, Agent, or Firm* — Muncy, Geissler, Olds & Lowe, P.C.

(57) **CLAIM**

The ornamental design for a light-emitting diode, as shown and described.

DESCRIPTION

FIG. 1 is a perspective view of a light-emitting diode showing our first example of the new design; FIG. 2 is another perspective view thereof; FIG. 3 is a front elevational view thereof; FIG. 4 is a rear elevational view thereof; FIG. 5 is a left side view thereof; FIG. 6 is a right side view thereof; FIG. 7 is a top plan view thereof; FIG. 8 is a bottom plan view thereof; FIG. 9 is a perspective view of a light-emitting diode showing our second example of the new design; FIG. 10 is another perspective view thereof; FIG. 11 is a front elevational view thereof; FIG. 12 is a rear elevational view thereof; FIG. 13 is a left side view thereof; FIG. 14 is a right side view thereof; FIG. 15 is a top plan view thereof; FIG. 16 is a bottom plan view thereof; FIG. 17 is a perspective view of a light-emitting diode showing our third example of the new design; FIG. 18 is another perspective view thereof; FIG. 19 is a front elevational view thereof; FIG. 20 is a rear elevational view thereof; FIG. 21 is a left side view thereof; FIG. 22 is a right side view thereof; FIG. 23 is a top plan view thereof; FIG. 24 is a bottom plan view thereof; FIG. 25 is a perspective view of a light-emitting diode showing our fourth example of the new design; FIG. 26 is another perspective view thereof; FIG. 27 is a front elevational view thereof; FIG. 28 is a rear elevational view thereof; FIG. 29 is a left side view thereof; FIG. 30 is a right side view thereof; FIG. 31 is a top plan view thereof; and,

(Continued)

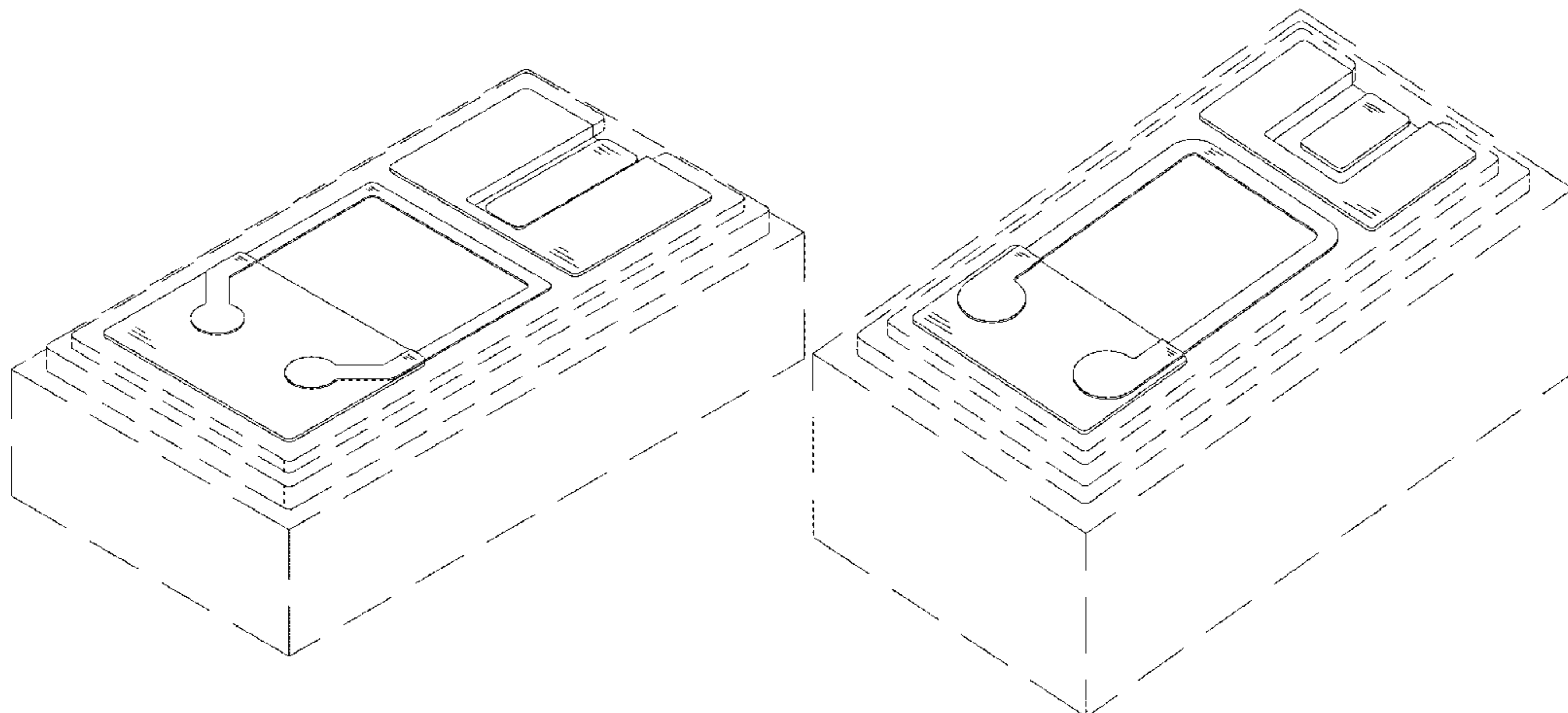


FIG. 32 is a bottom plan view thereof.
 The broken line showing is for the purpose of illustrating environmental structure only and forms no part of the claimed design.

1 Claim, 32 Drawing Sheets

(58) **Field of Classification Search**

CPC ... H01L 25/167; H01L 25/0753; H01L 27/15;
 H01L 27/156; H01L 31/02; H01L 33/00;
 H01L 33/04; H01L 33/08; H01L 33/10;
 H01L 33/20; H01L 33/38; H01L 33/42;
 H01L 33/48; H01L 33/483; H01L 33/486

See application file for complete search history.

(56) **References Cited**

U.S. PATENT DOCUMENTS

D656,908	S	4/2012	Hsu et al.	
8,188,504	B2	5/2012	Lee	
D681,564	S	5/2013	Hsu et al.	
D681,569	S	5/2013	Yeh et al.	
D689,448	S	9/2013	Kimura et al.	
D709,840	S	7/2014	Tsai et al.	
D718,259	S	11/2014	Chen et al.	
9,209,363	B2	12/2015	Oh et al.	
D750,580	S	3/2016	Yeh et al.	
10,205,070	B2	2/2019	Liu et al.	
D928,104	S *	8/2021	Kao	D13/180
2006/0163604	A1	7/2006	Shin et al.	
2016/0365497	A1	12/2016	Kim et al.	
2020/0373469	A1 *	11/2020	Chen	H01L 33/62
2021/0272945	A1 *	9/2021	Lin	H01L 24/25

* cited by examiner

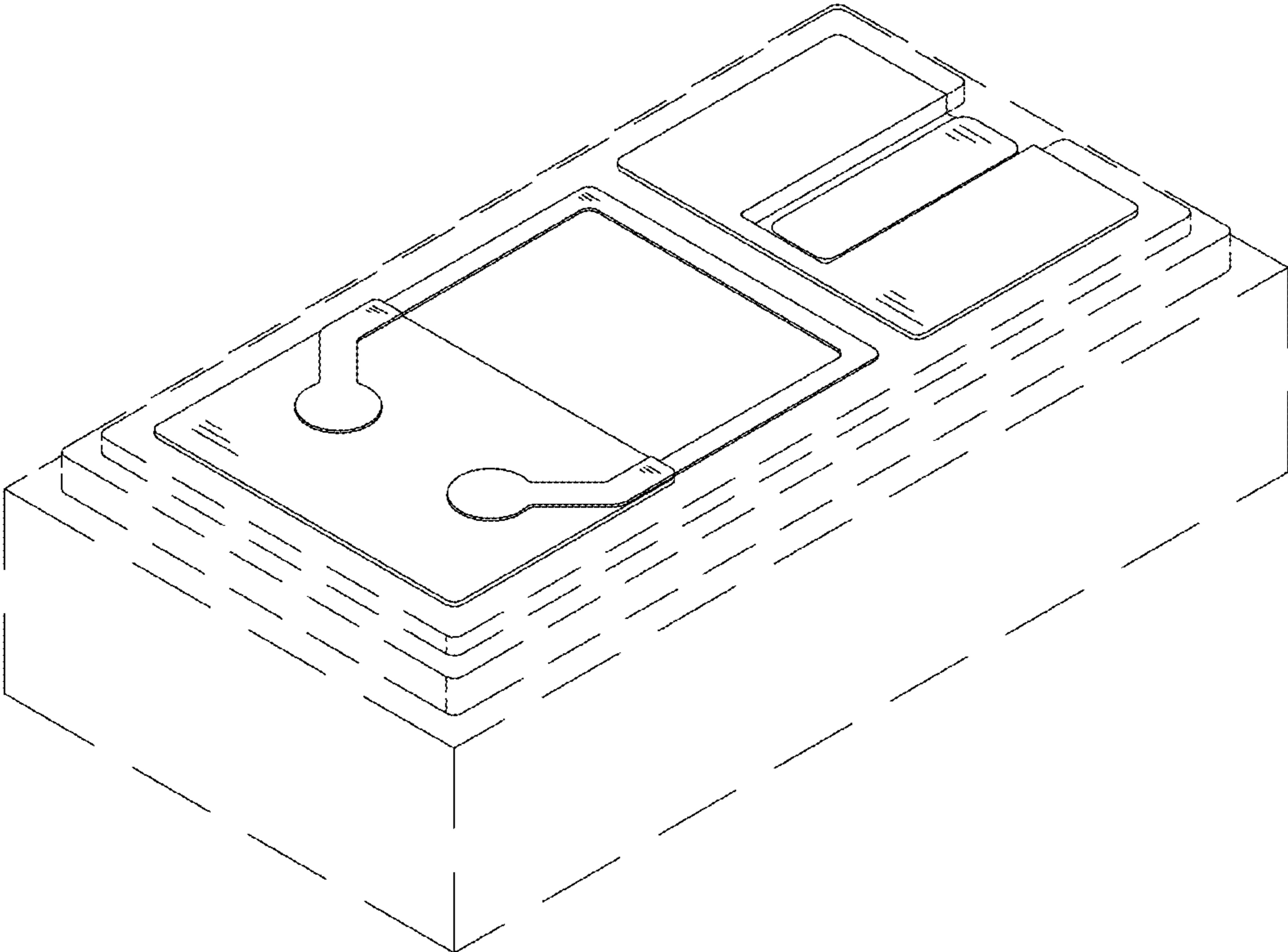


FIG. 1

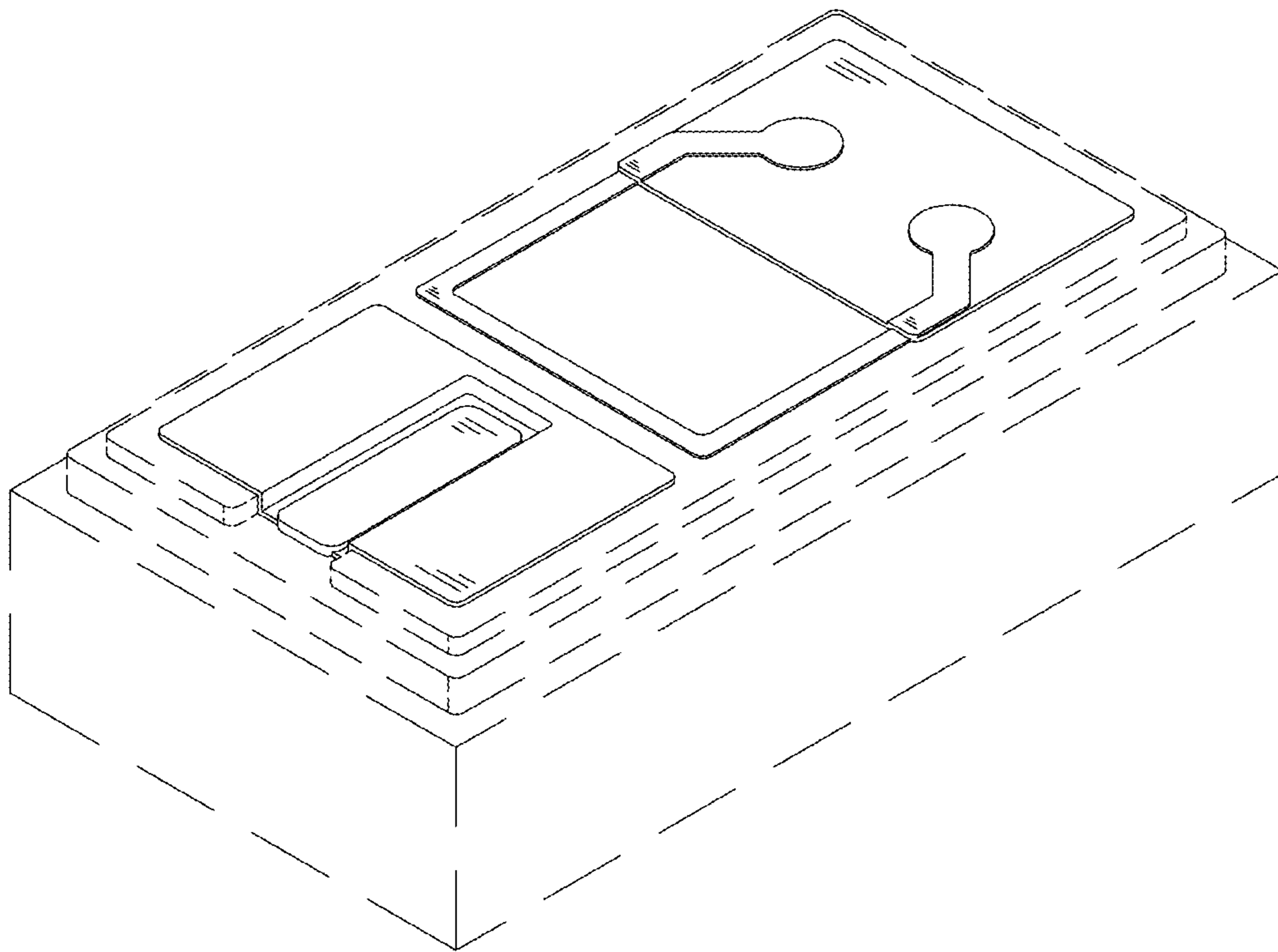


FIG. 2

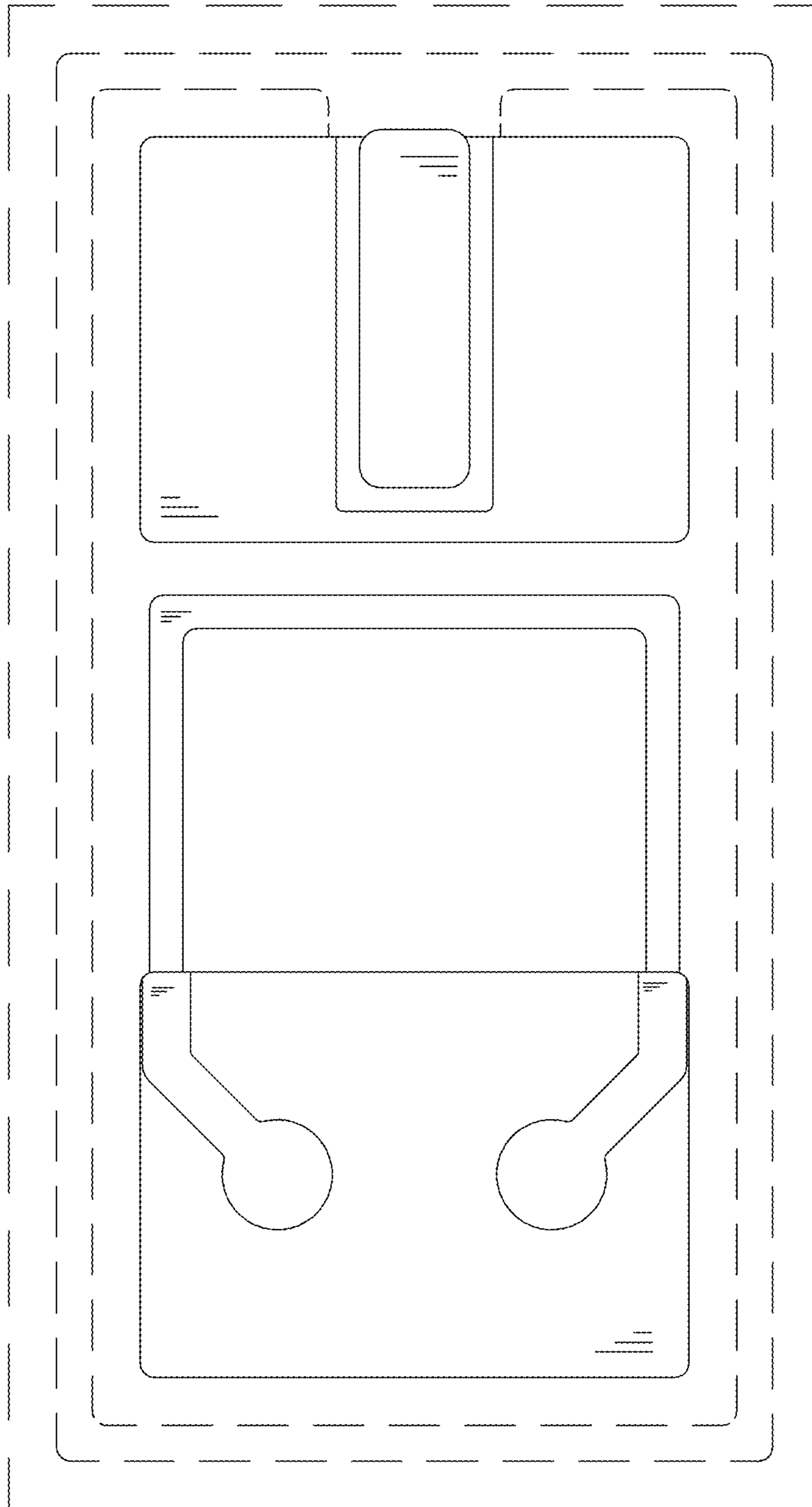


FIG. 3



FIG. 4

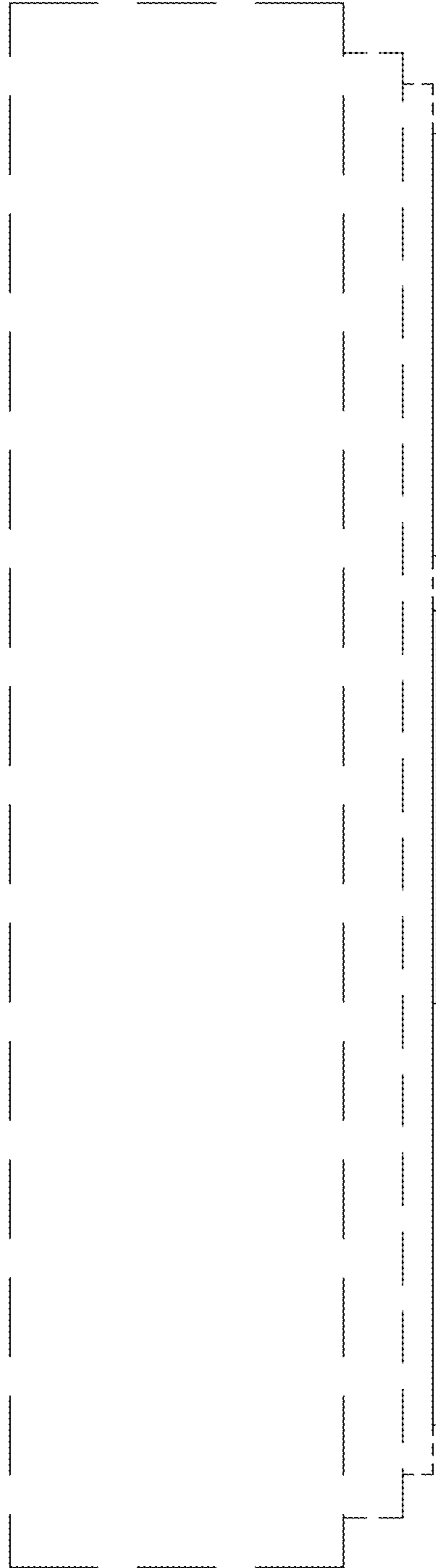


FIG. 5

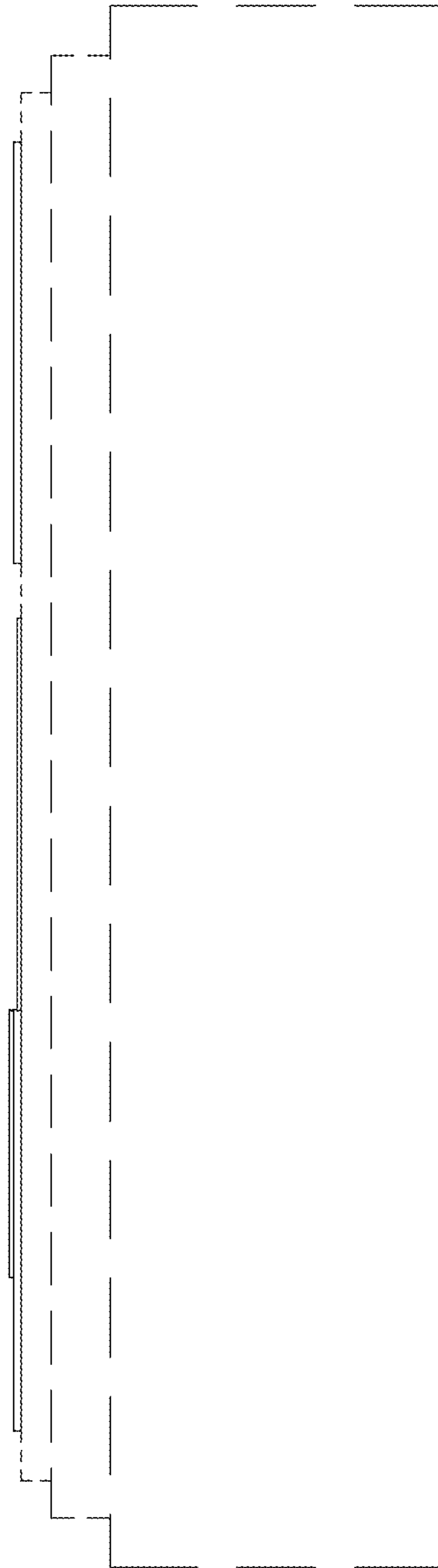


FIG. 6

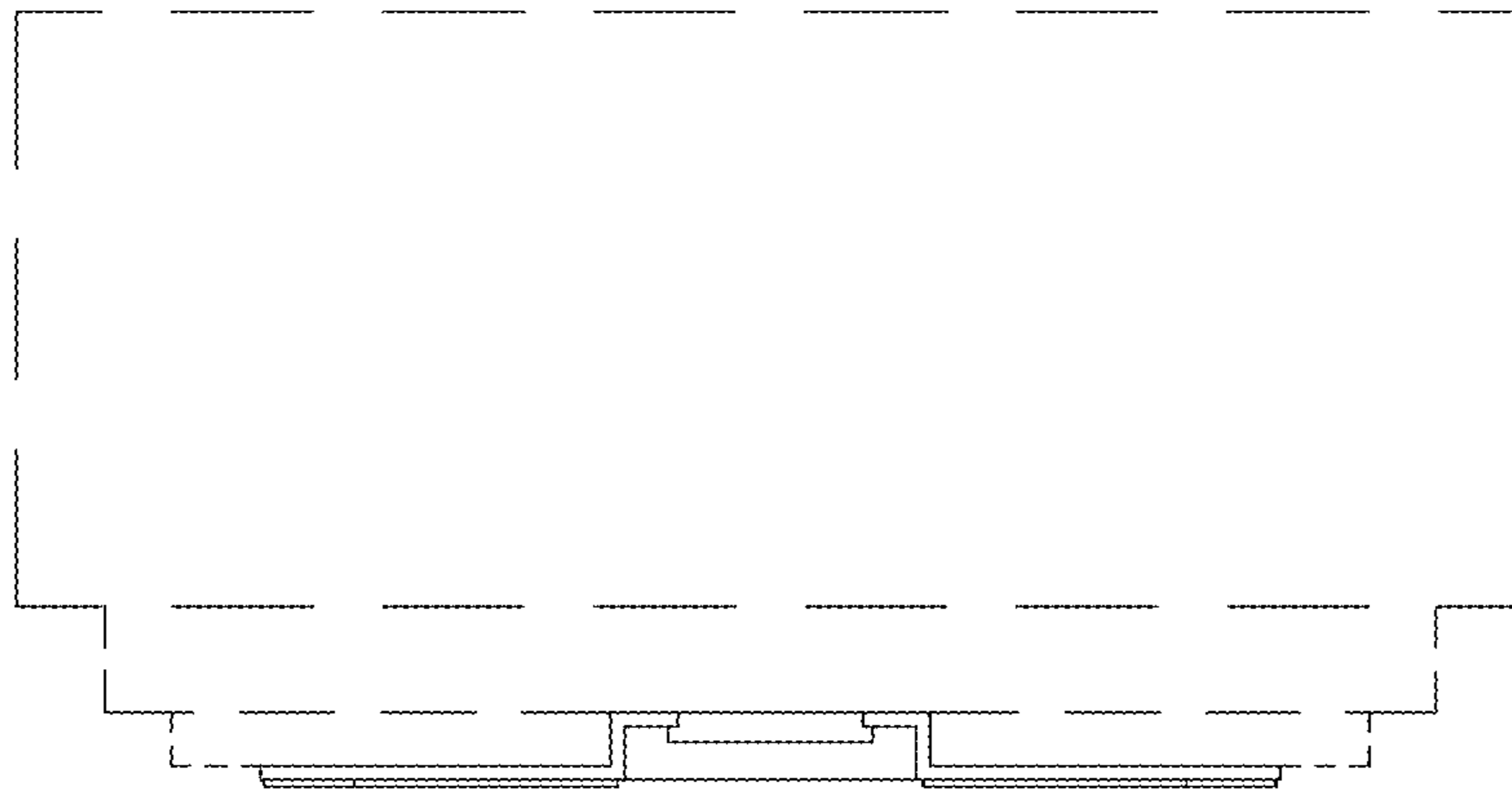


FIG. 7

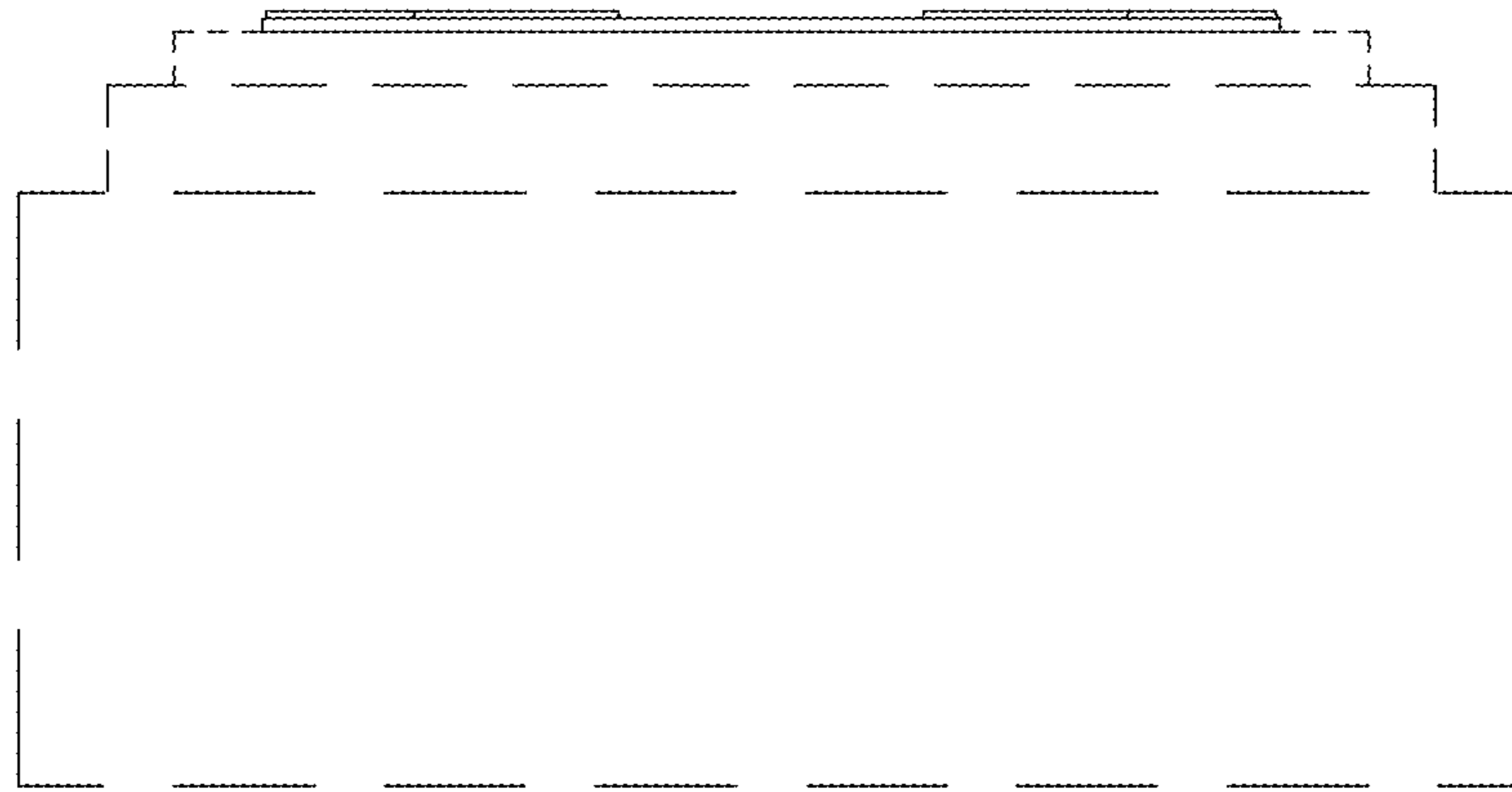


FIG. 8

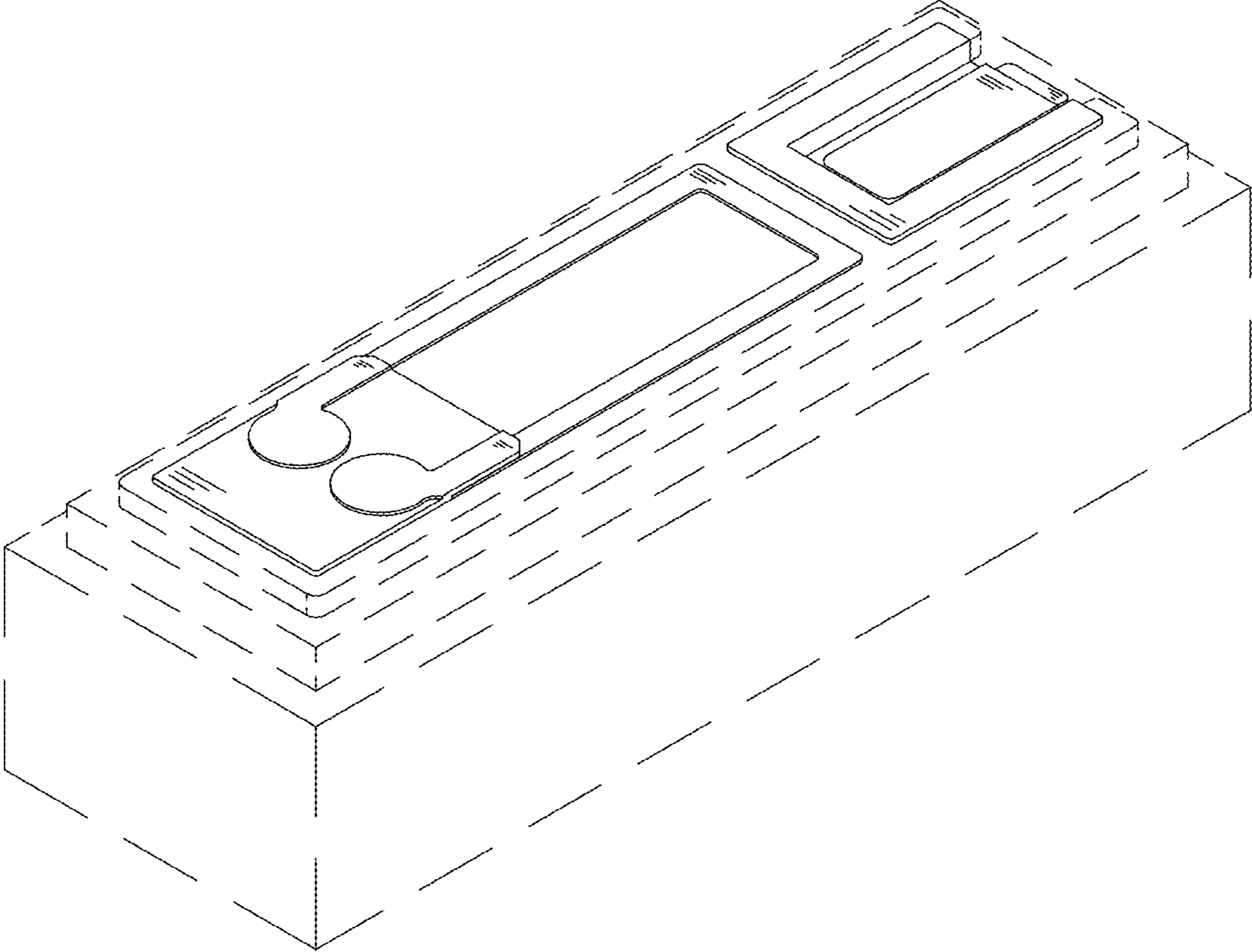


FIG. 9

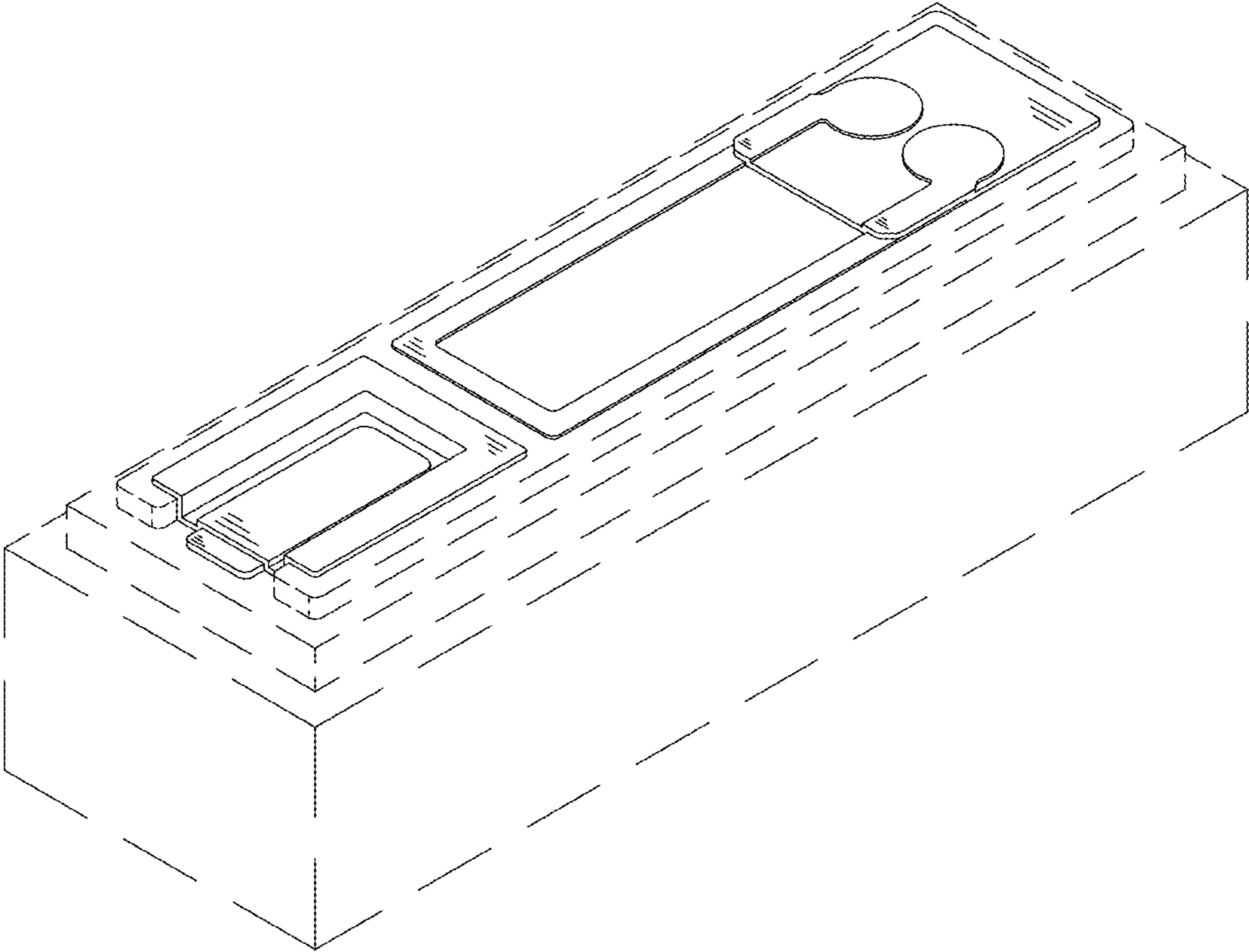


FIG. 10

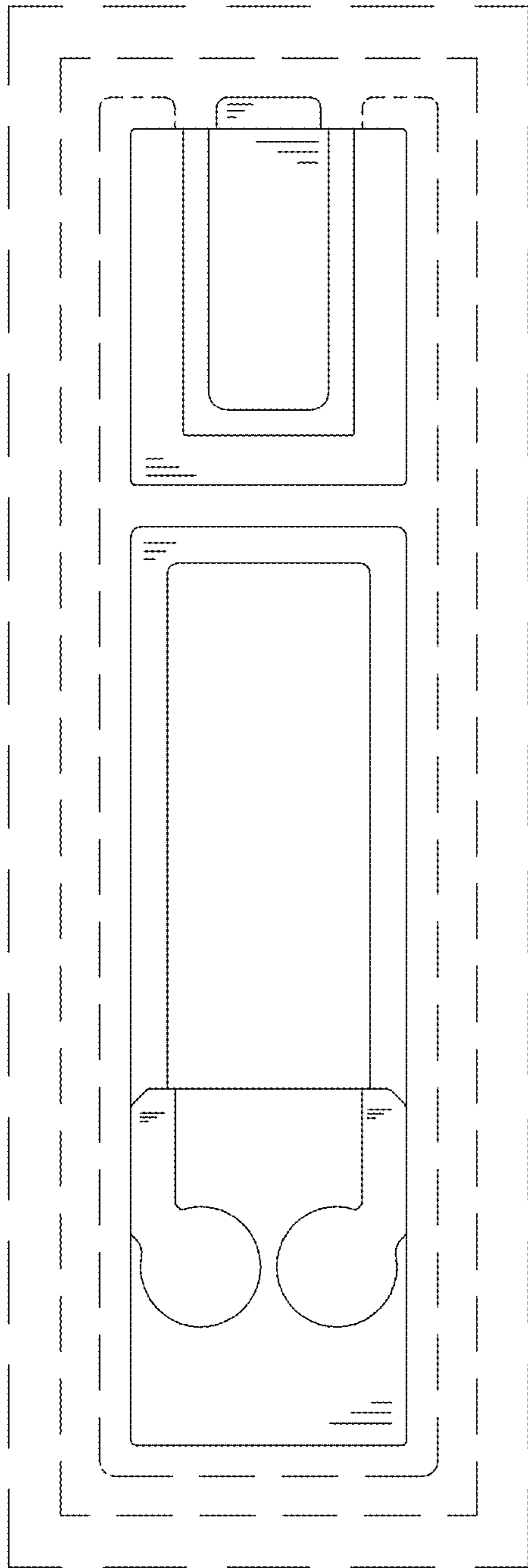


FIG. 11

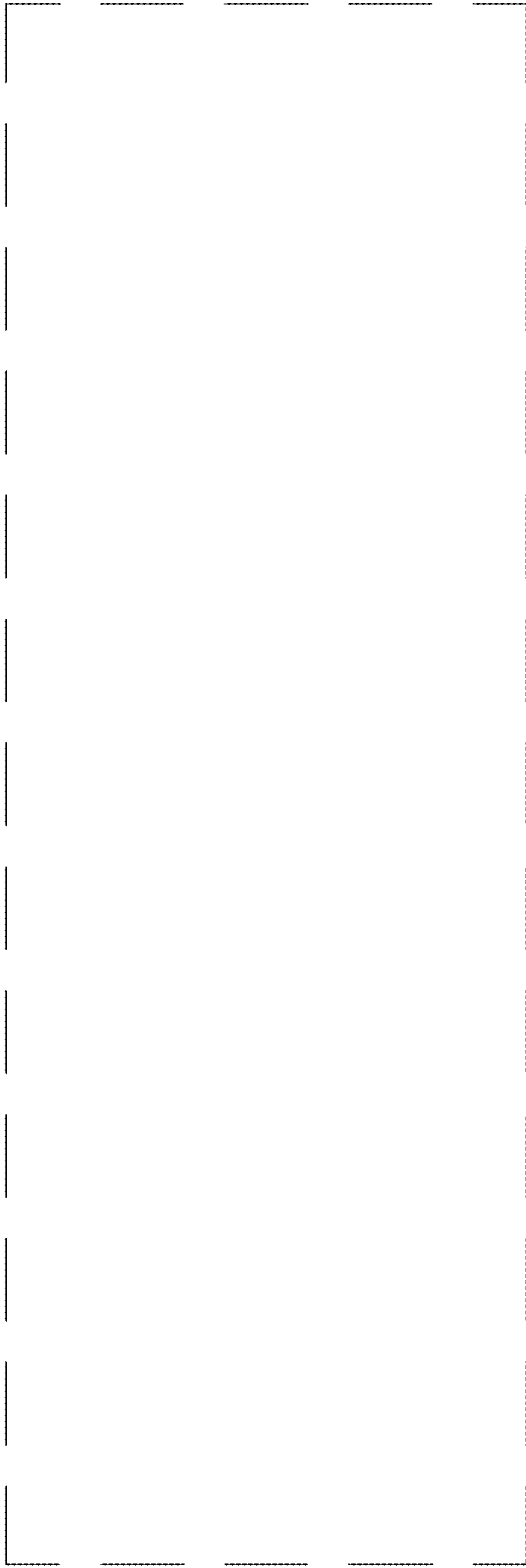


FIG. 12

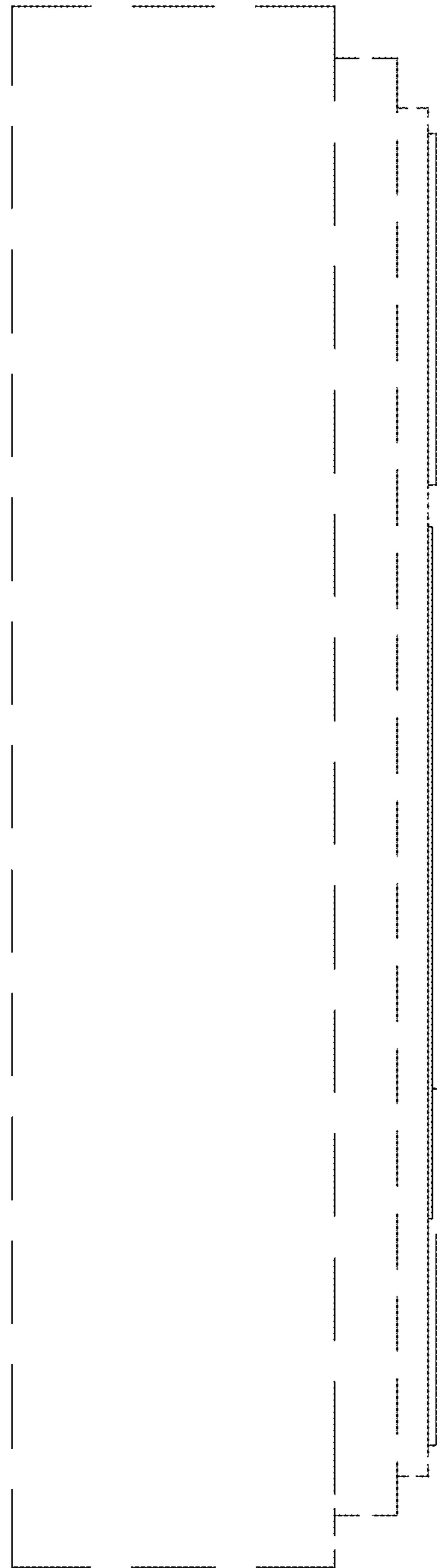


FIG. 13

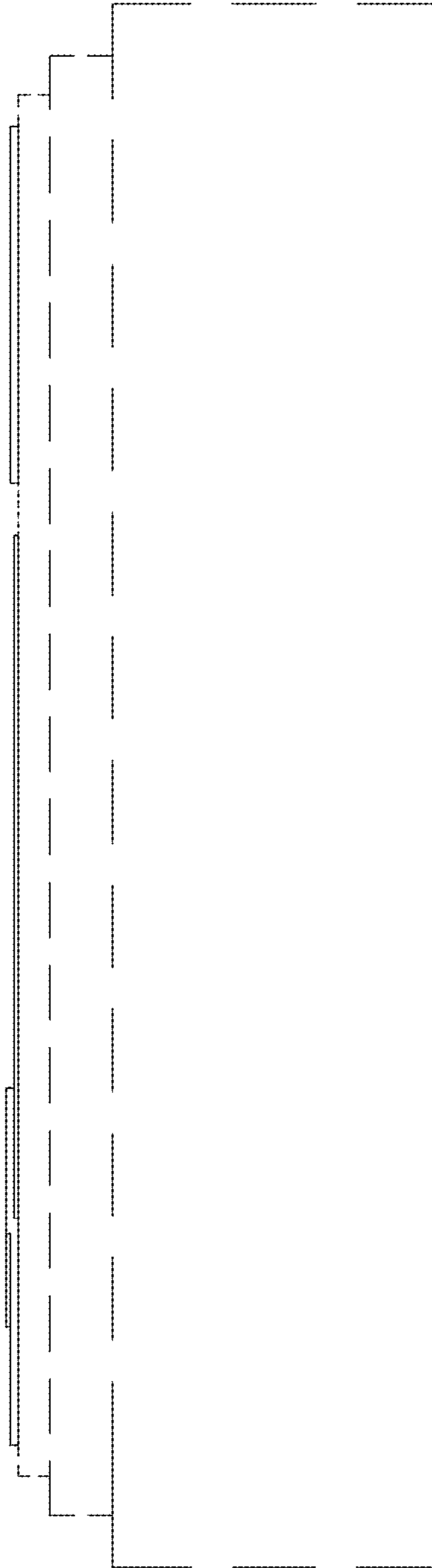


FIG. 14

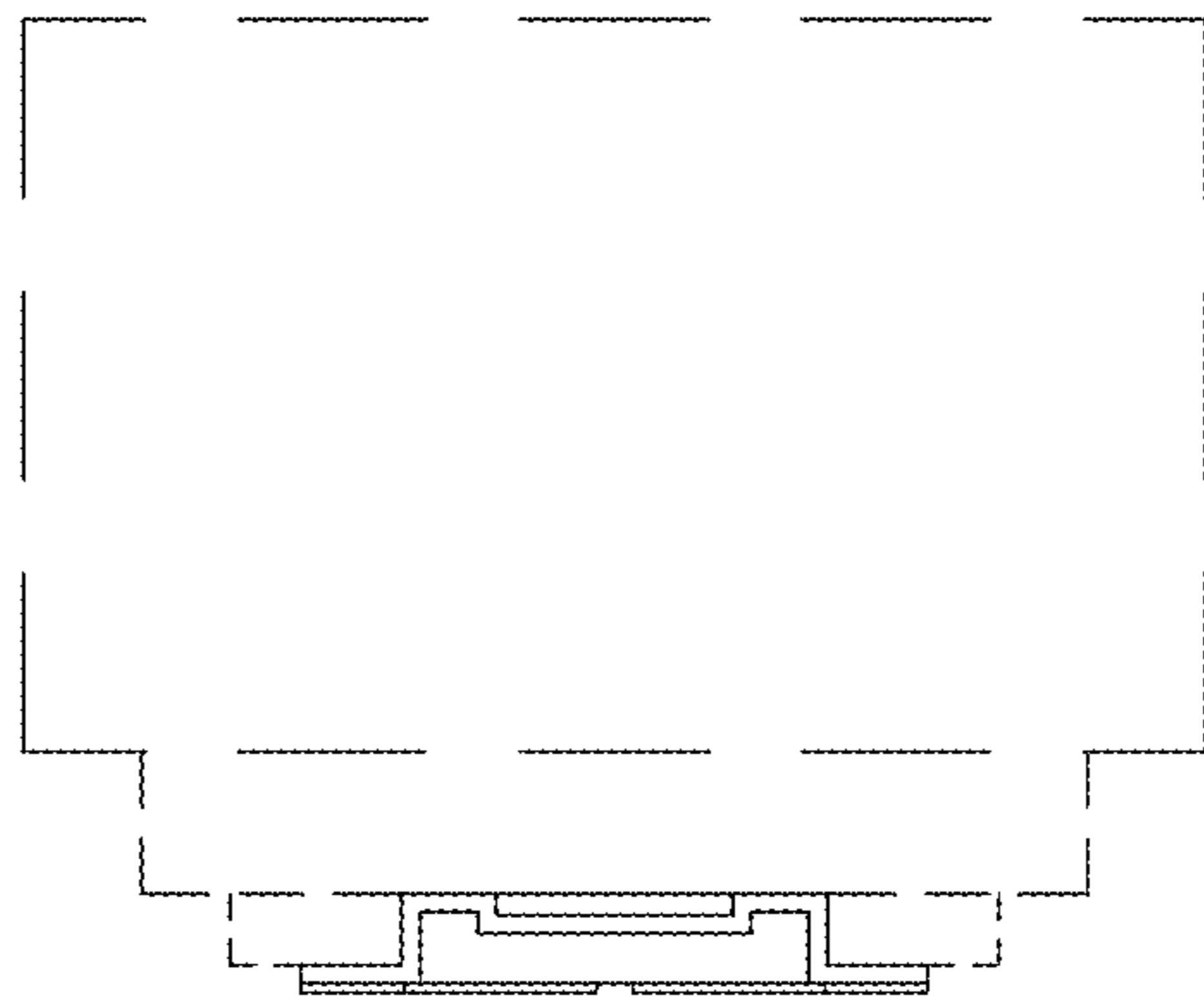


FIG. 15

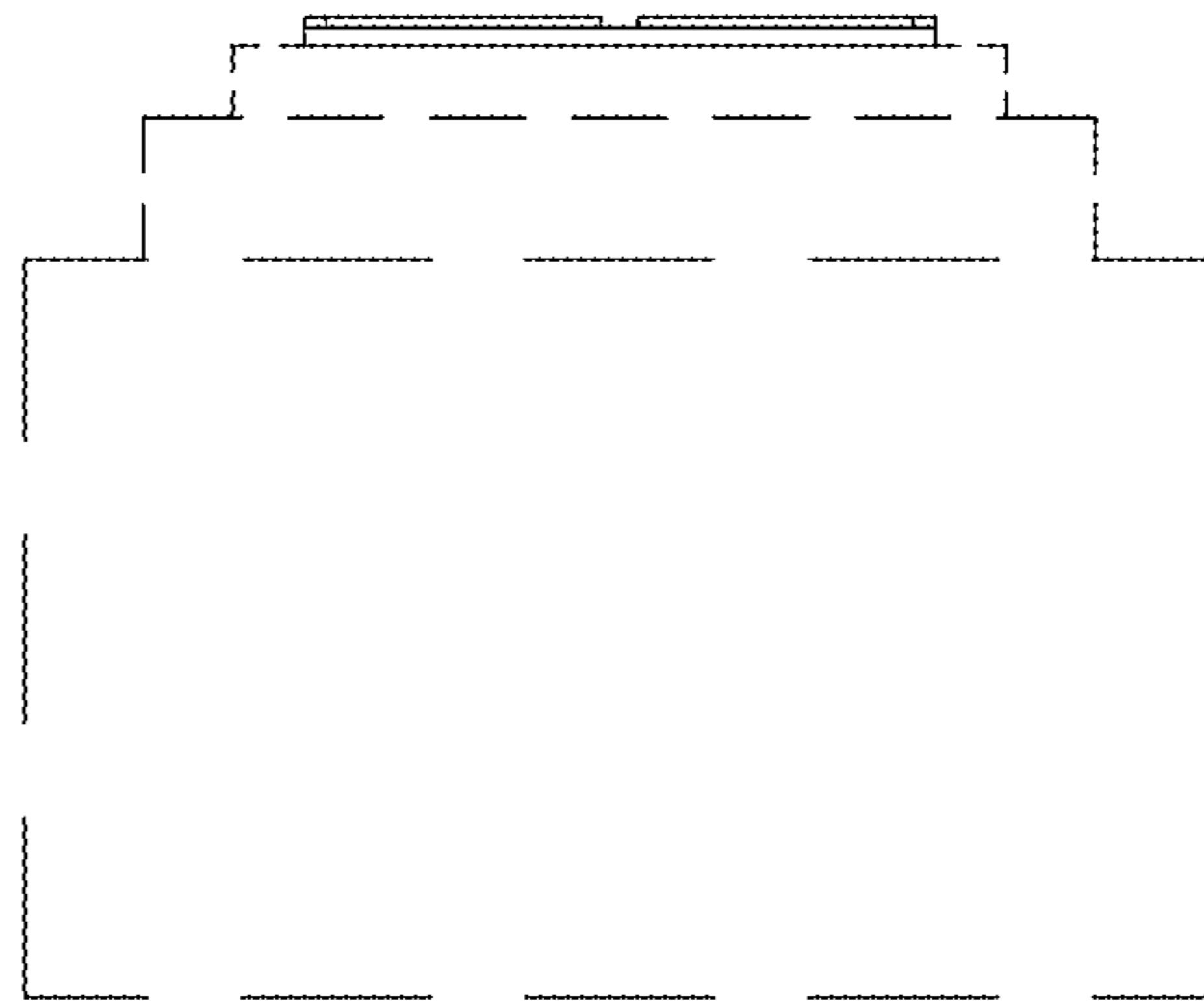


FIG. 16

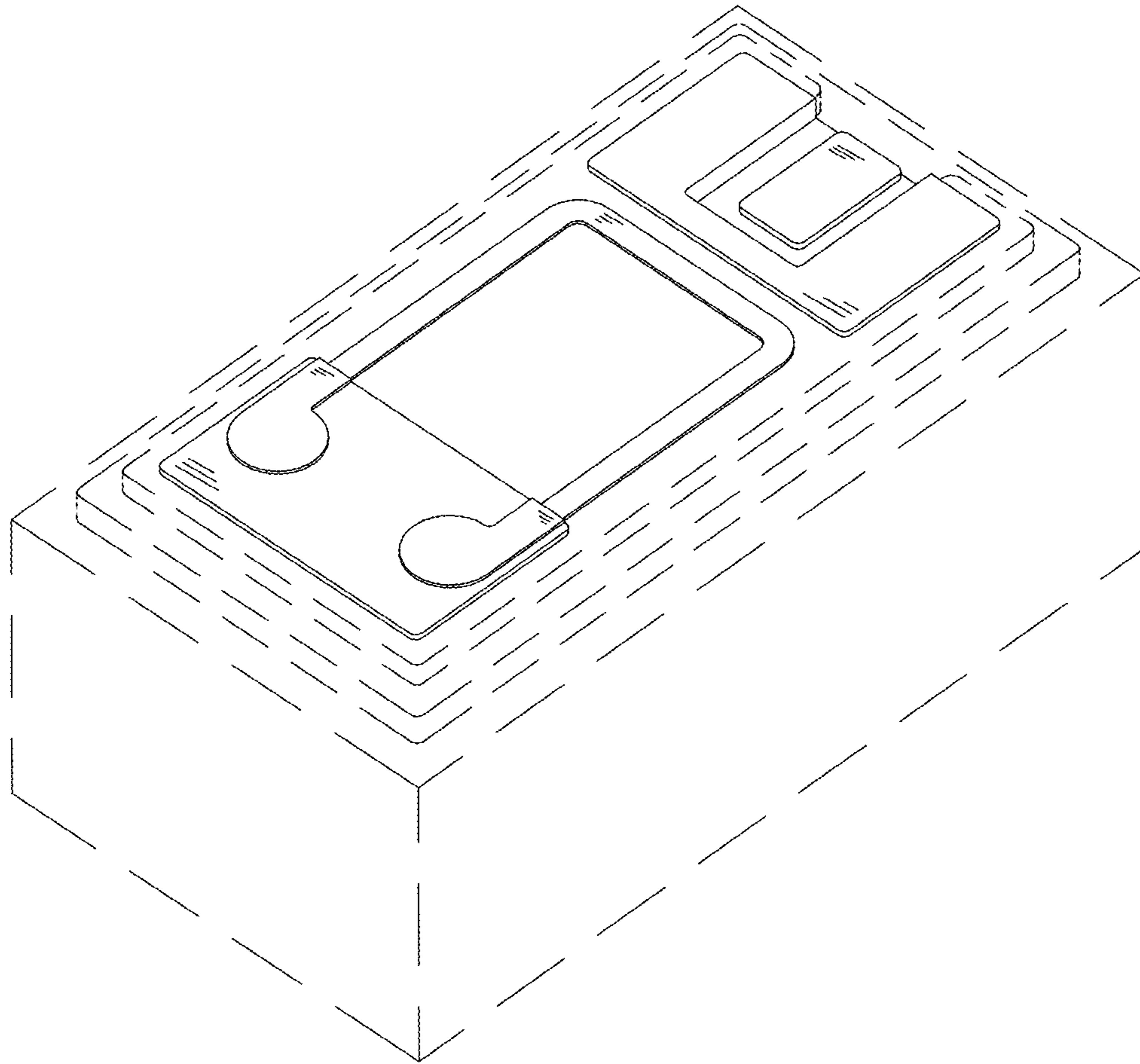


FIG. 17

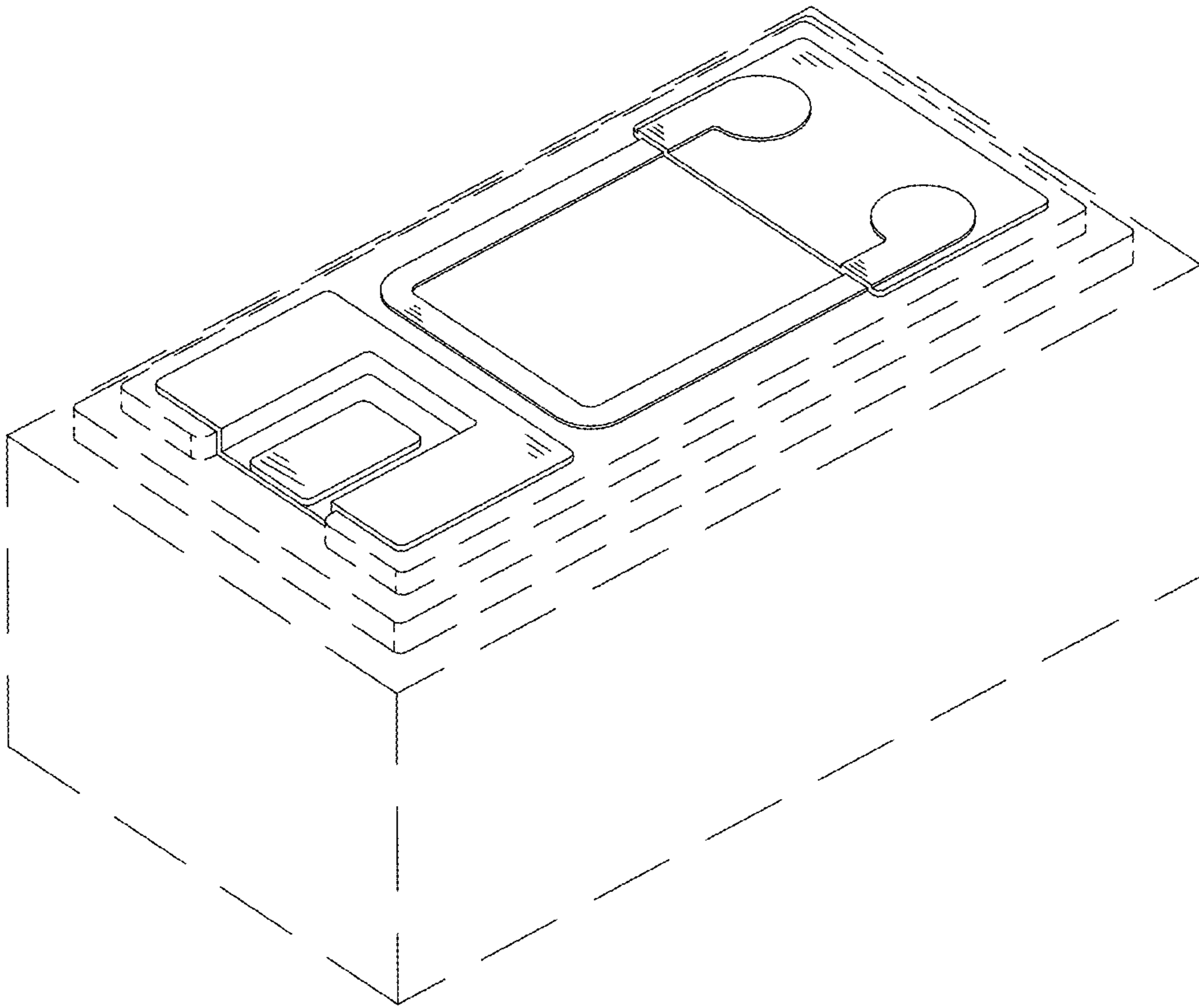


FIG. 18

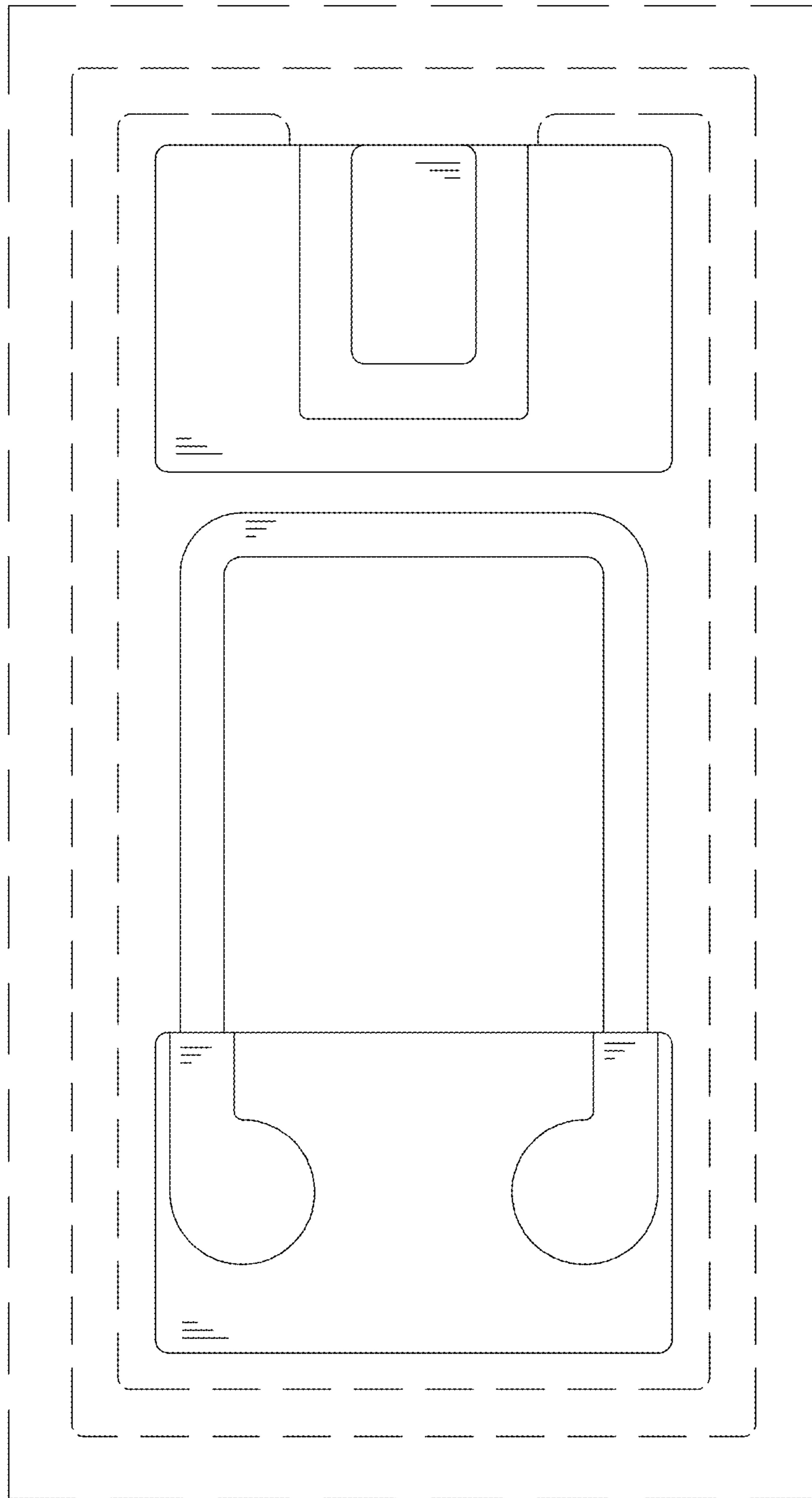


FIG. 19

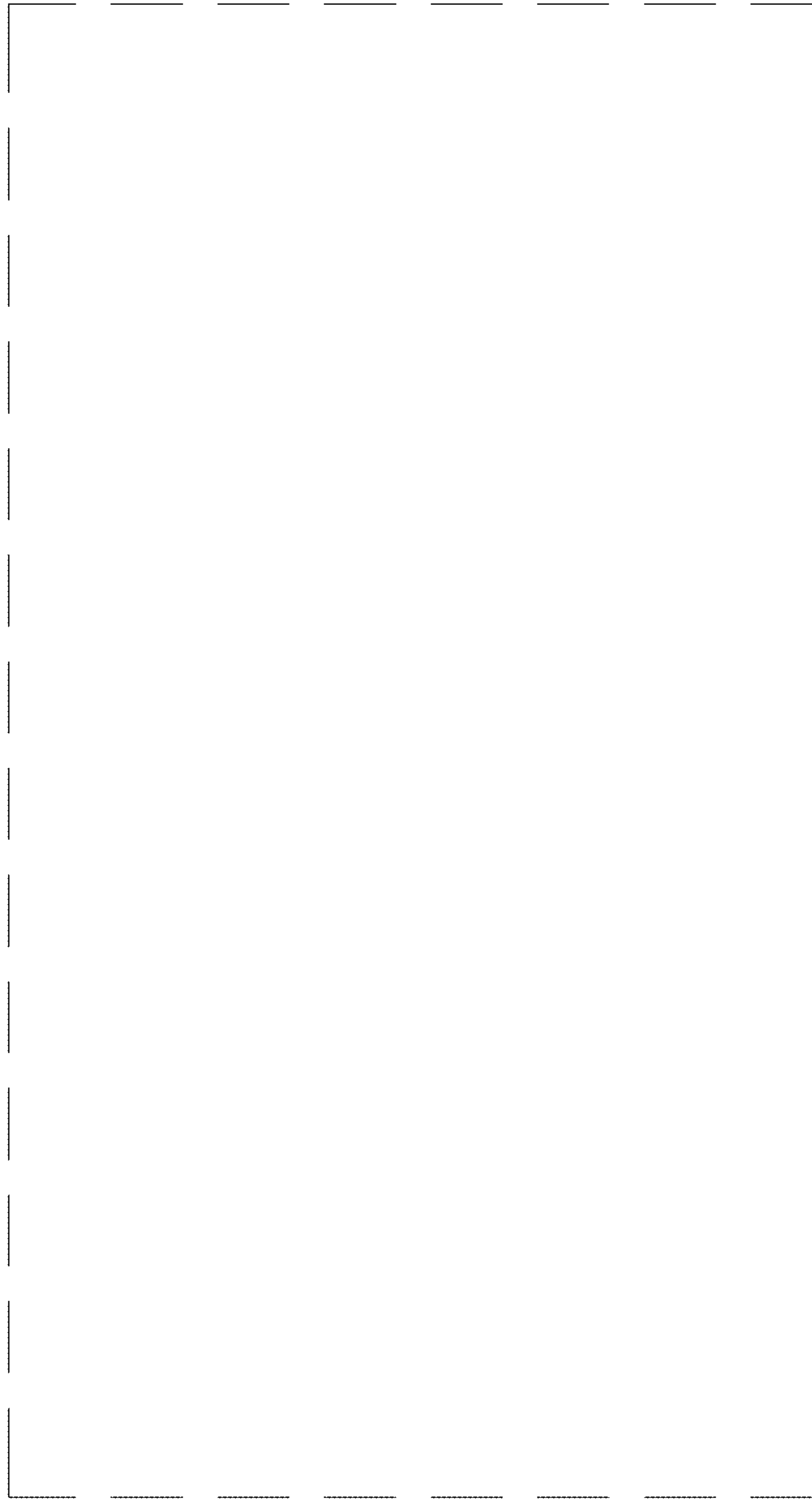


FIG. 20

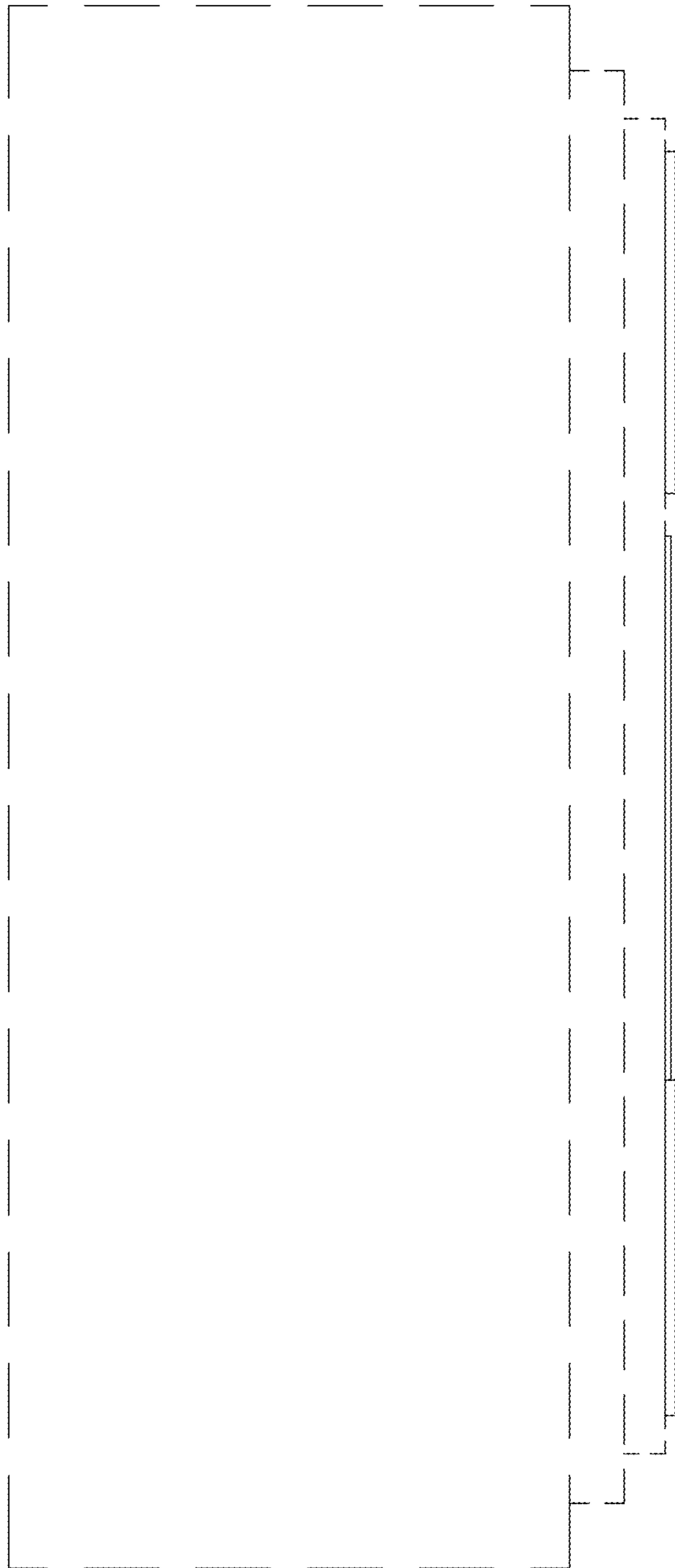


FIG. 21

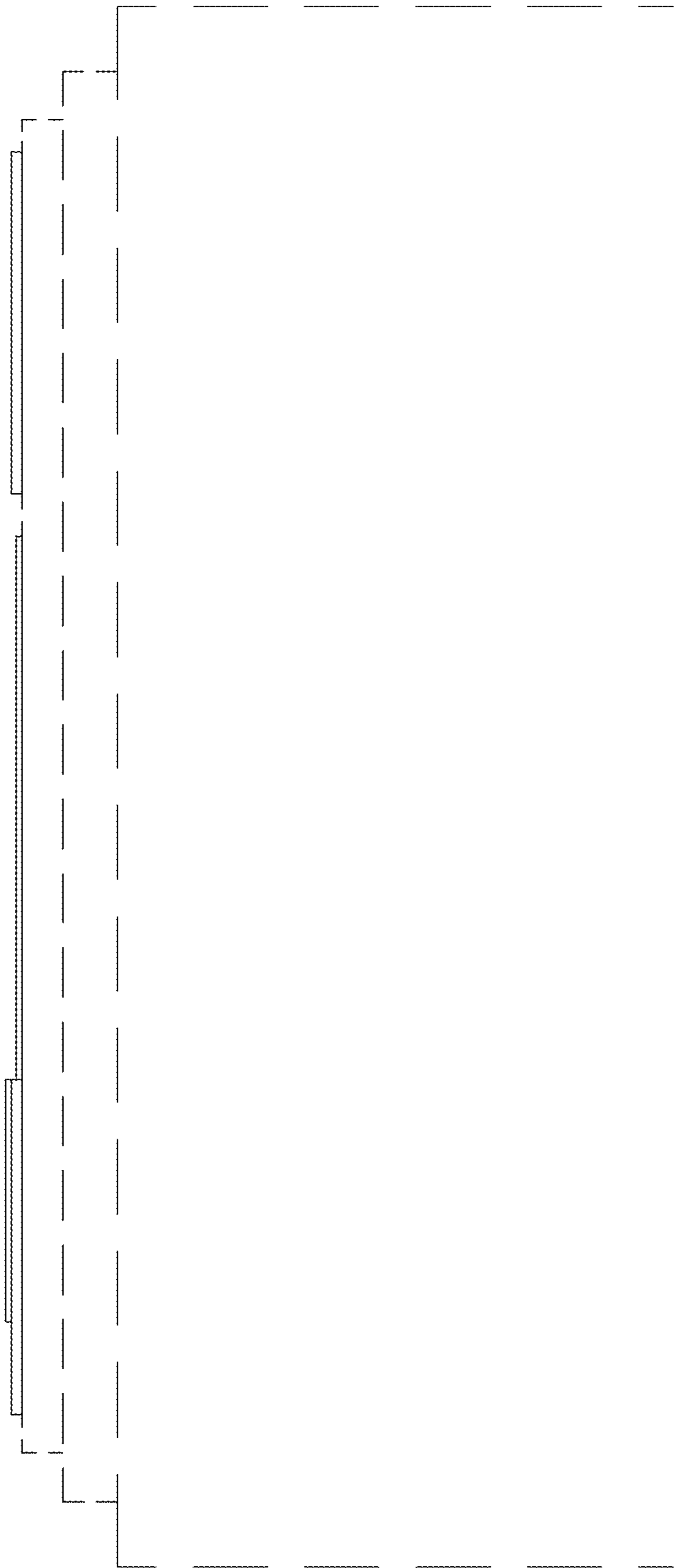


FIG. 22

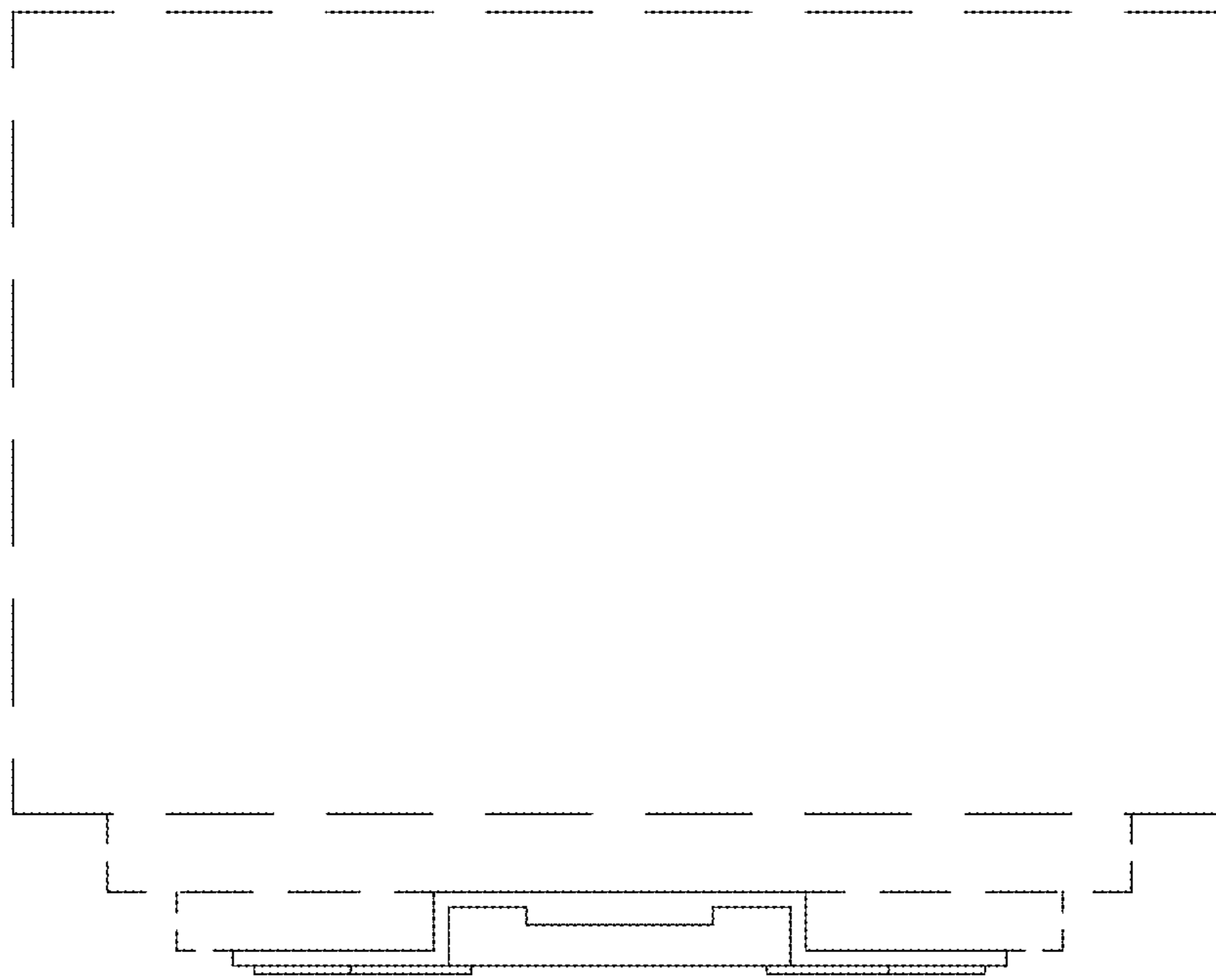


FIG. 23

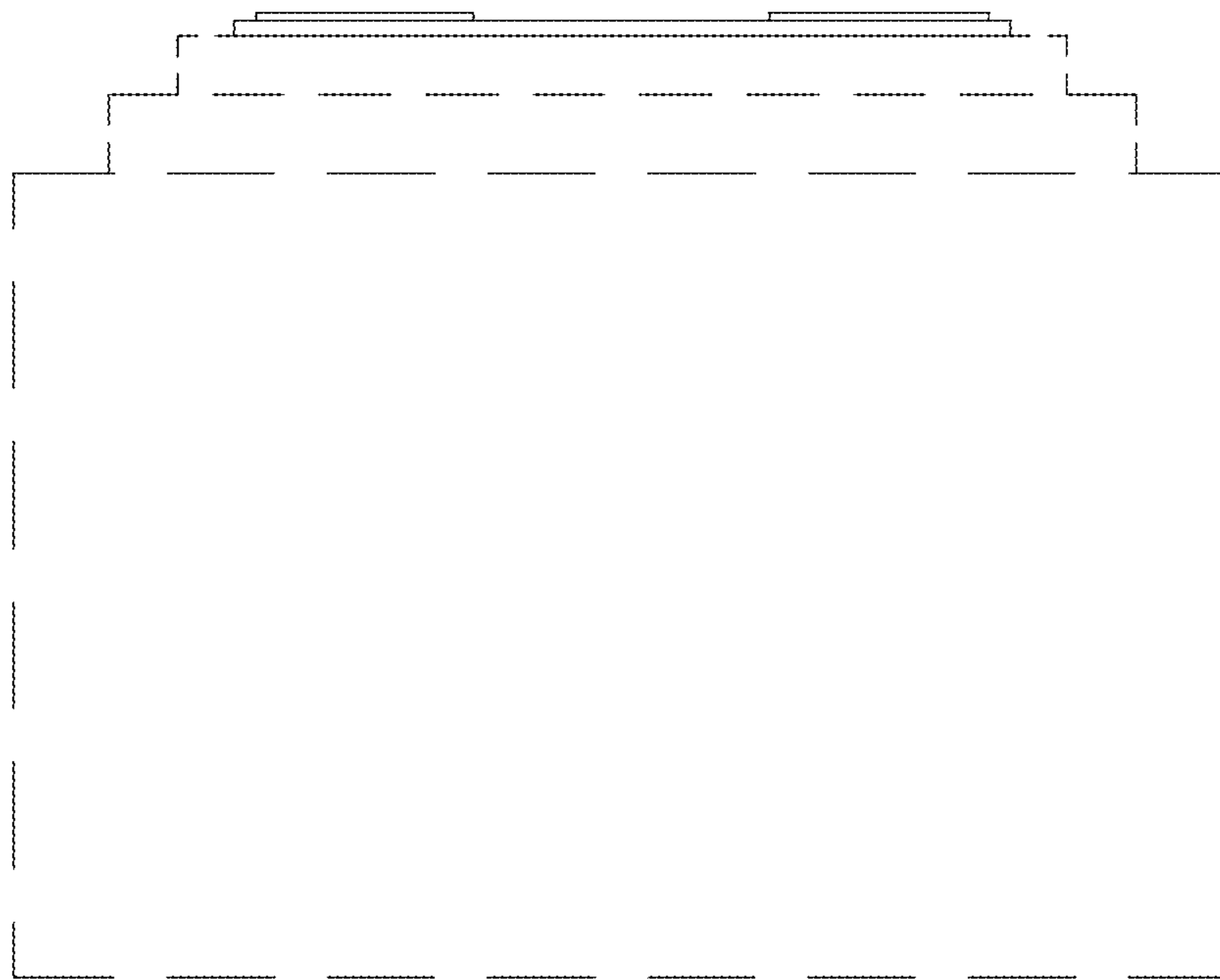


FIG. 24

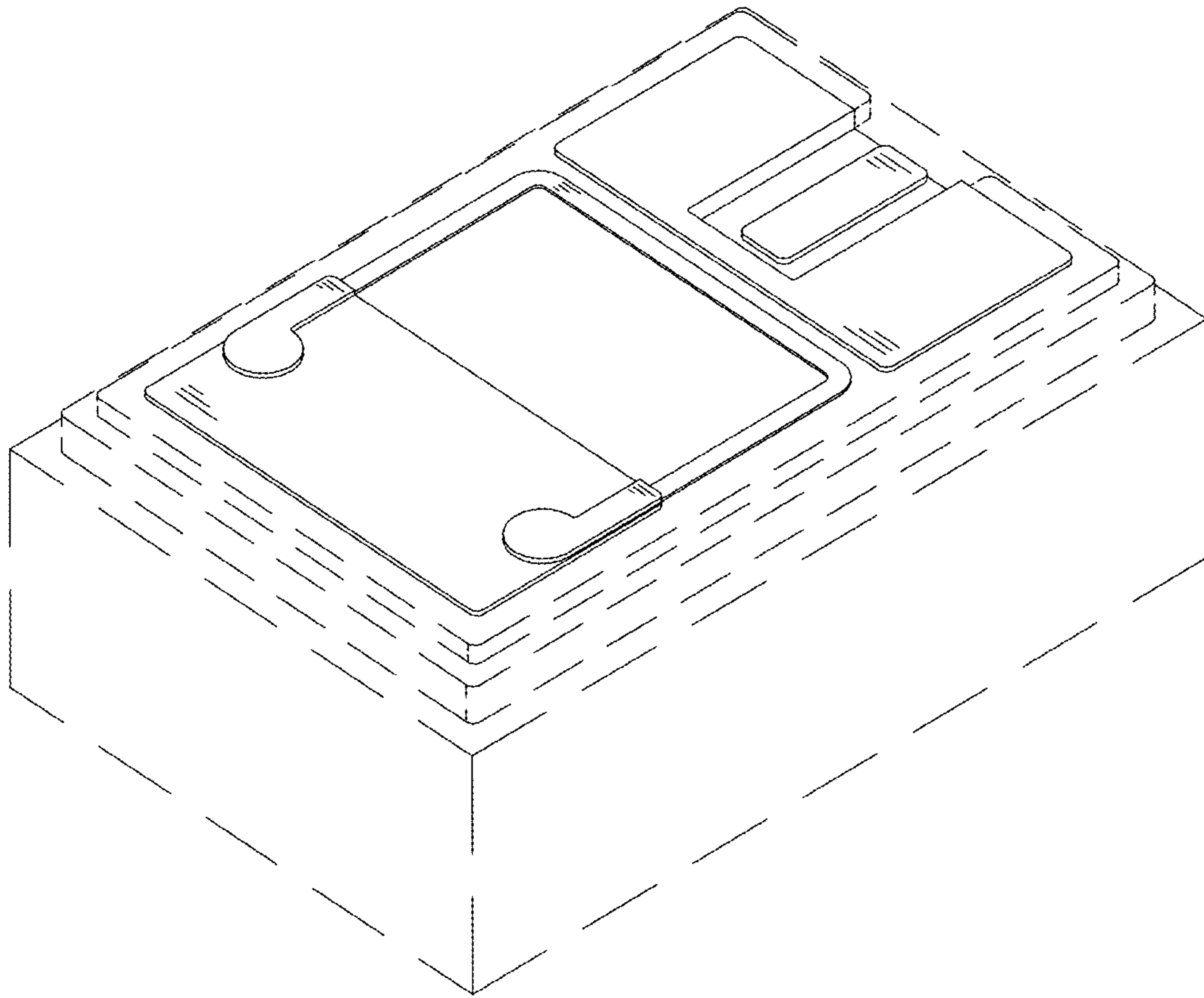


FIG. 25

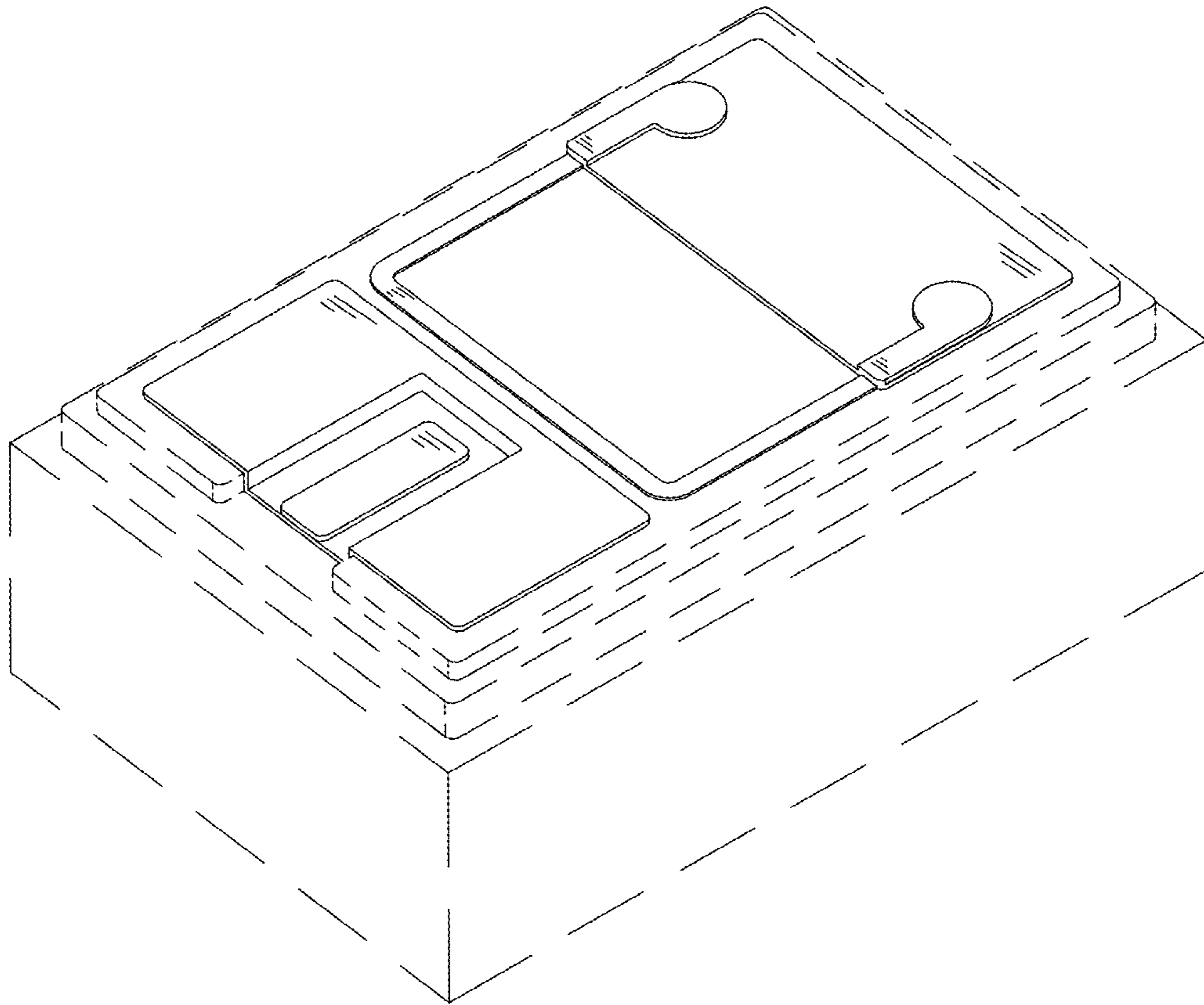


FIG. 26

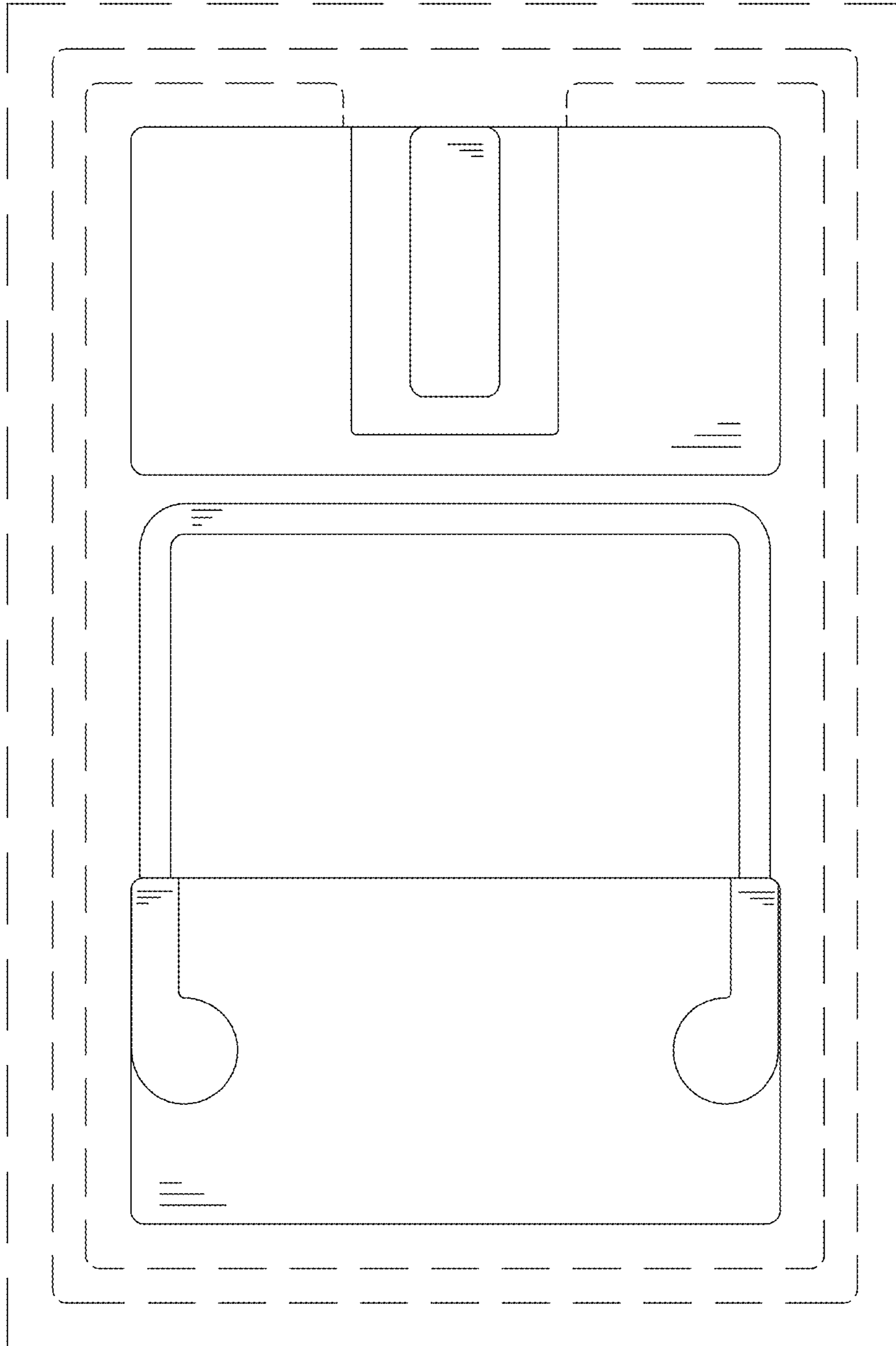


FIG. 27



FIG. 28

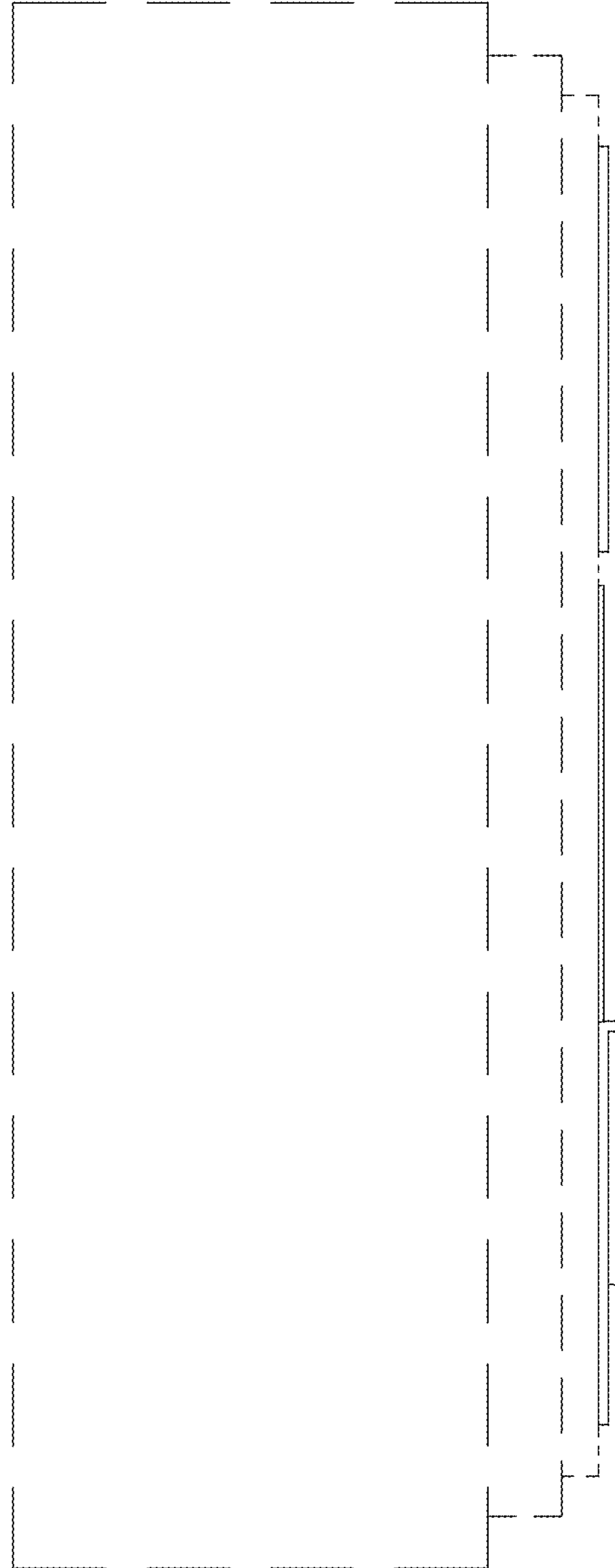


FIG. 29

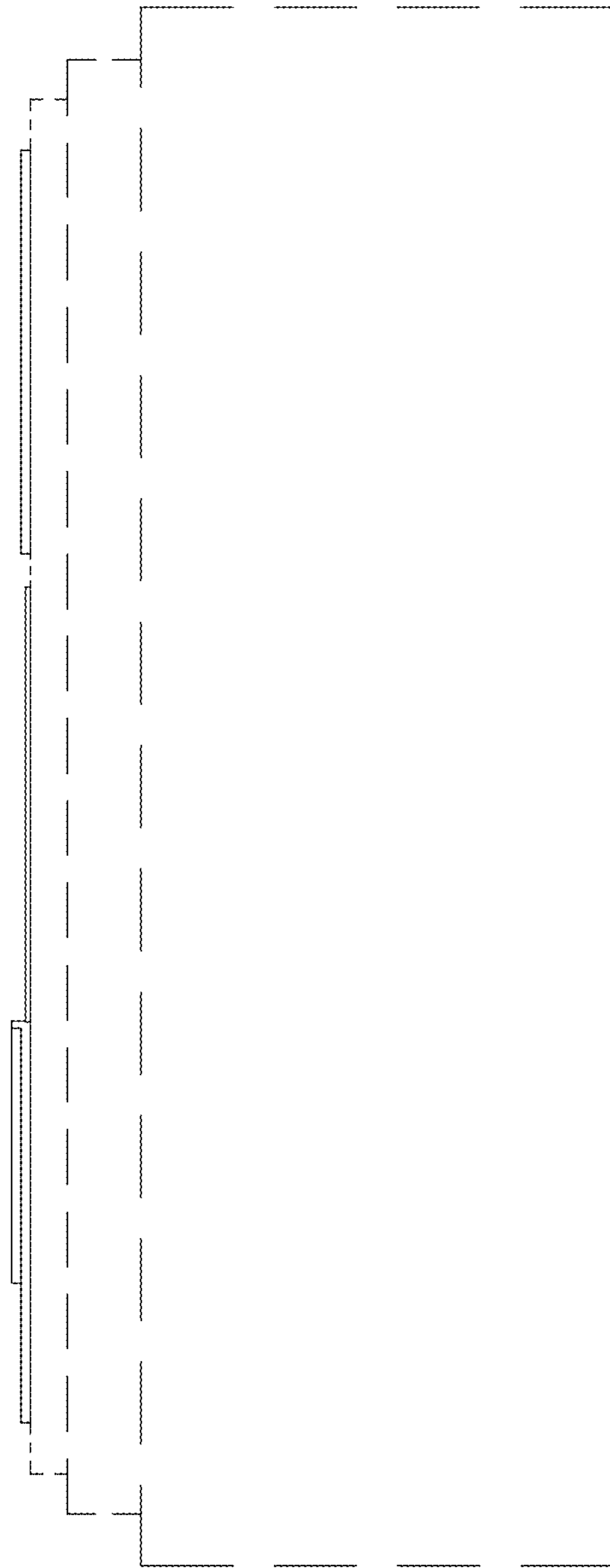


FIG. 30

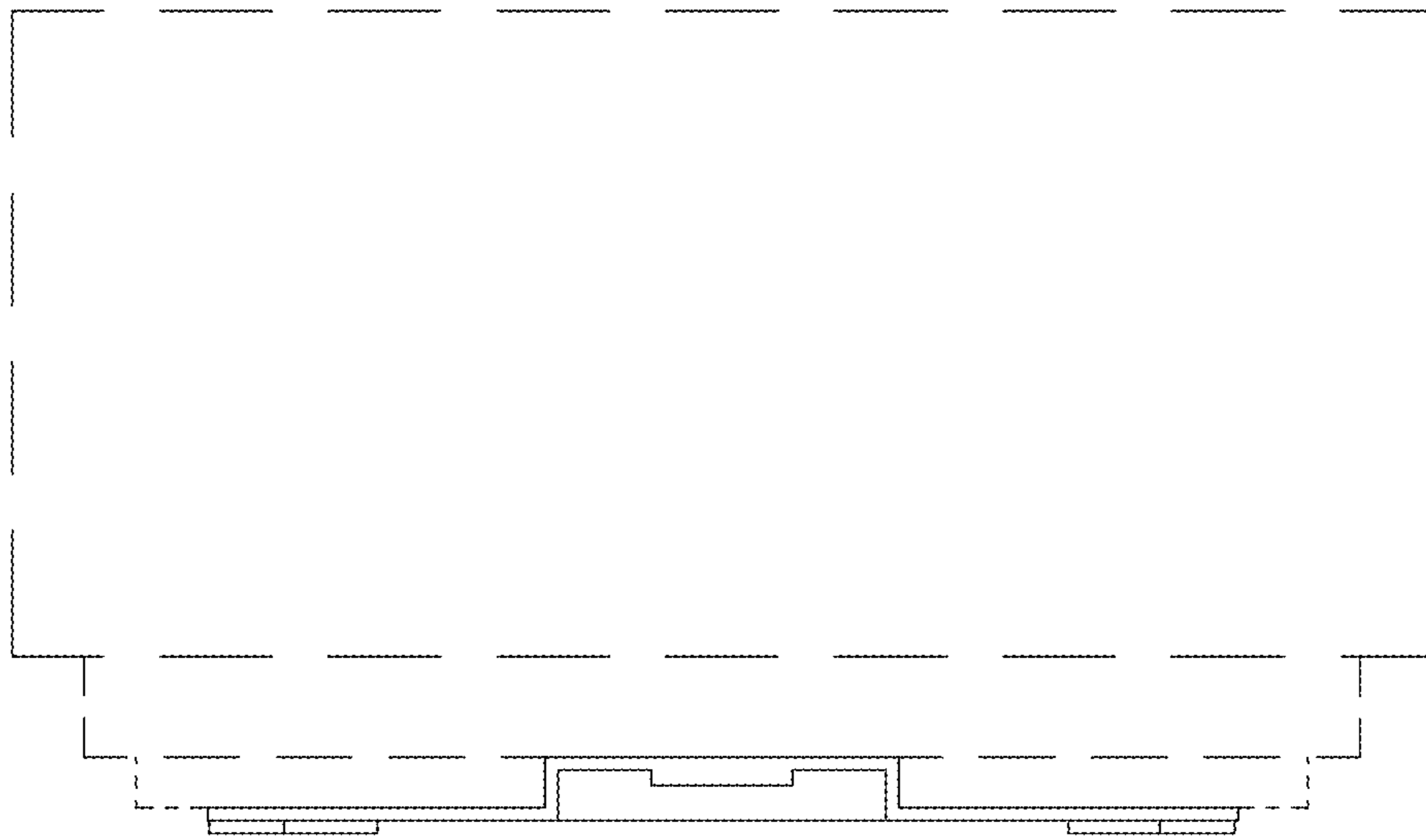


FIG. 31

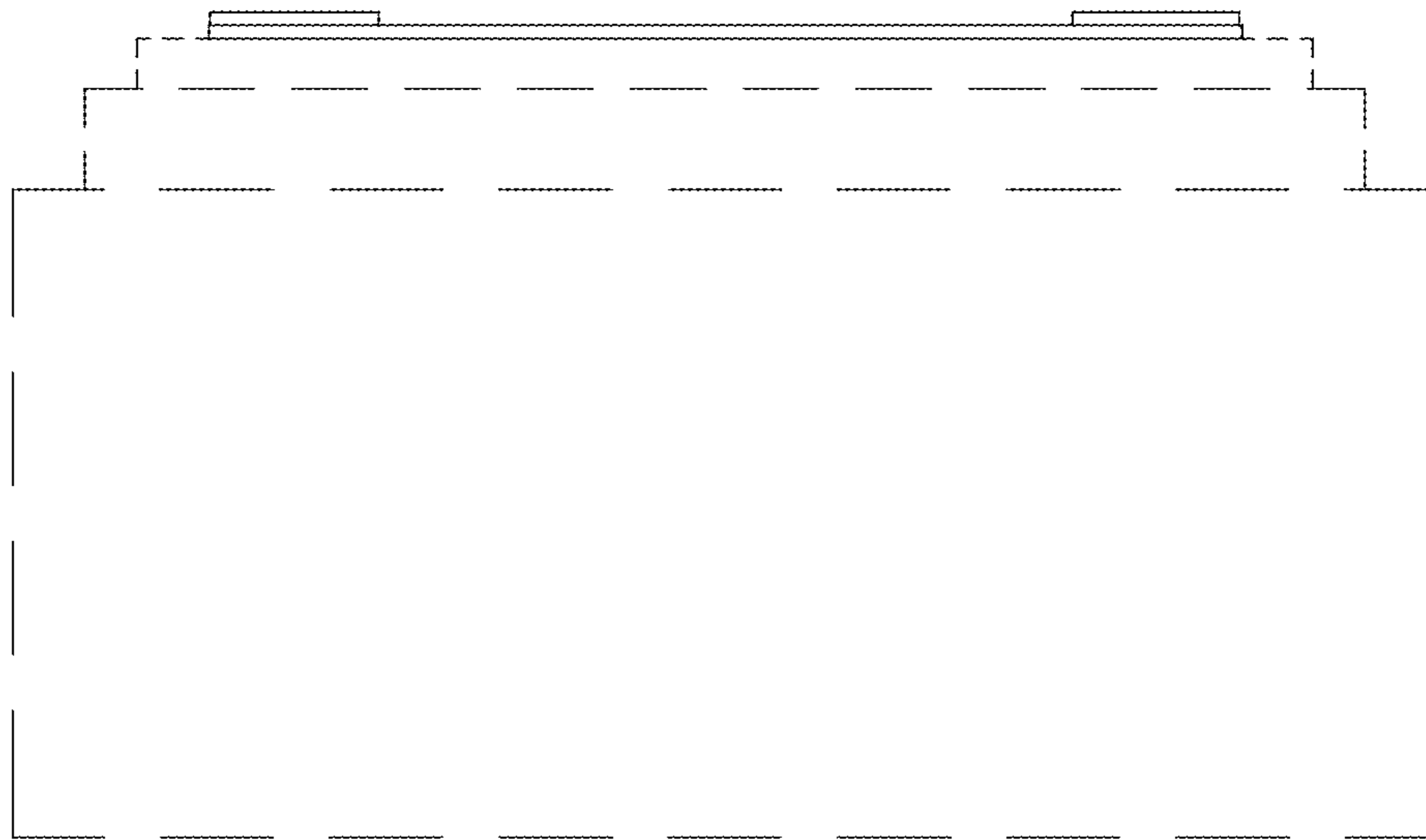


FIG. 32