



US00D944217S

(12) **United States Design Patent** (10) **Patent No.:** **US D944,217 S**
Lu (45) **Date of Patent:** **** Feb. 22, 2022**

(54) **CONTROL DEVICE OF VEHICLE**
(71) Applicant: **AUTEL INTELLIGENT TECHNOLOGY CORP., LTD.,**
Guangdong (CN)
(72) Inventor: **Boming Lu,** Guangdong (CN)
(73) Assignee: **AUTEL INTELLIGENT TECHNOLOGY CORP., LTD.,**
Shenzhen (CN)
(**) Term: **15 Years**
(21) Appl. No.: **29/753,270**
(22) Filed: **Sep. 30, 2020**
(30) **Foreign Application Priority Data**
Apr. 1, 2020 (CN) 202030121926.2
(51) **LOC (13) Cl.** **14-03**
(52) **U.S. Cl.**
USPC **D13/168**
(58) **Field of Classification Search**
USPC 13/168; D10/104.1, 106.1; D3/207, 208;
D8/347
CPC ... B60R 2225/00; B60R 25/00; B60R 25/104;
H01H 9/02; H01H 9/0214; H01H 9/0235;
G07C 9/00944; G05B 1/01; E05B
19/0082; E05B 19/04; Y10T 70/8676
See application file for complete search history.

(56) **References Cited**
U.S. PATENT DOCUMENTS
D528,511 S * 9/2006 Li D13/168
D557,111 S * 12/2007 Ydremark D13/168
D560,352 S * 1/2008 Cadiz D3/208

8,662,688 B2 * 3/2014 Nickel E05B 19/043
362/23.05
D719,534 S * 12/2014 Woodman D13/168
D733,074 S * 6/2015 Kandler D13/168
D734,607 S * 7/2015 Leetz D3/207
9,961,968 B1 * 5/2018 Mulcahy G07C 9/00944
D844,574 S * 4/2019 Kandler D13/168
D881,253 S * 4/2020 Tang D16/201
D898,686 S * 10/2020 Lan D13/168
D899,382 S * 10/2020 Dong D13/168
D907,589 S * 1/2021 Houdek D13/168
D915,865 S * 4/2021 Choi D8/347
D916,456 S * 4/2021 McAuliffe D3/207
2004/0069658 A1 * 4/2004 Jeschke H01H 9/0214
206/37.1
2004/0201451 A1 * 10/2004 Sugimoto B60R 25/406
340/5.62
2009/0217722 A1 * 9/2009 Luo E05B 19/043
70/459
2010/0220451 A1 * 9/2010 Zaitz H01H 9/0235
361/752
2016/0278229 A1 * 9/2016 Saito H05K 7/1427
2017/0095040 A1 * 4/2017 Byrd A44B 15/005

* cited by examiner

Primary Examiner — Selina Sikder

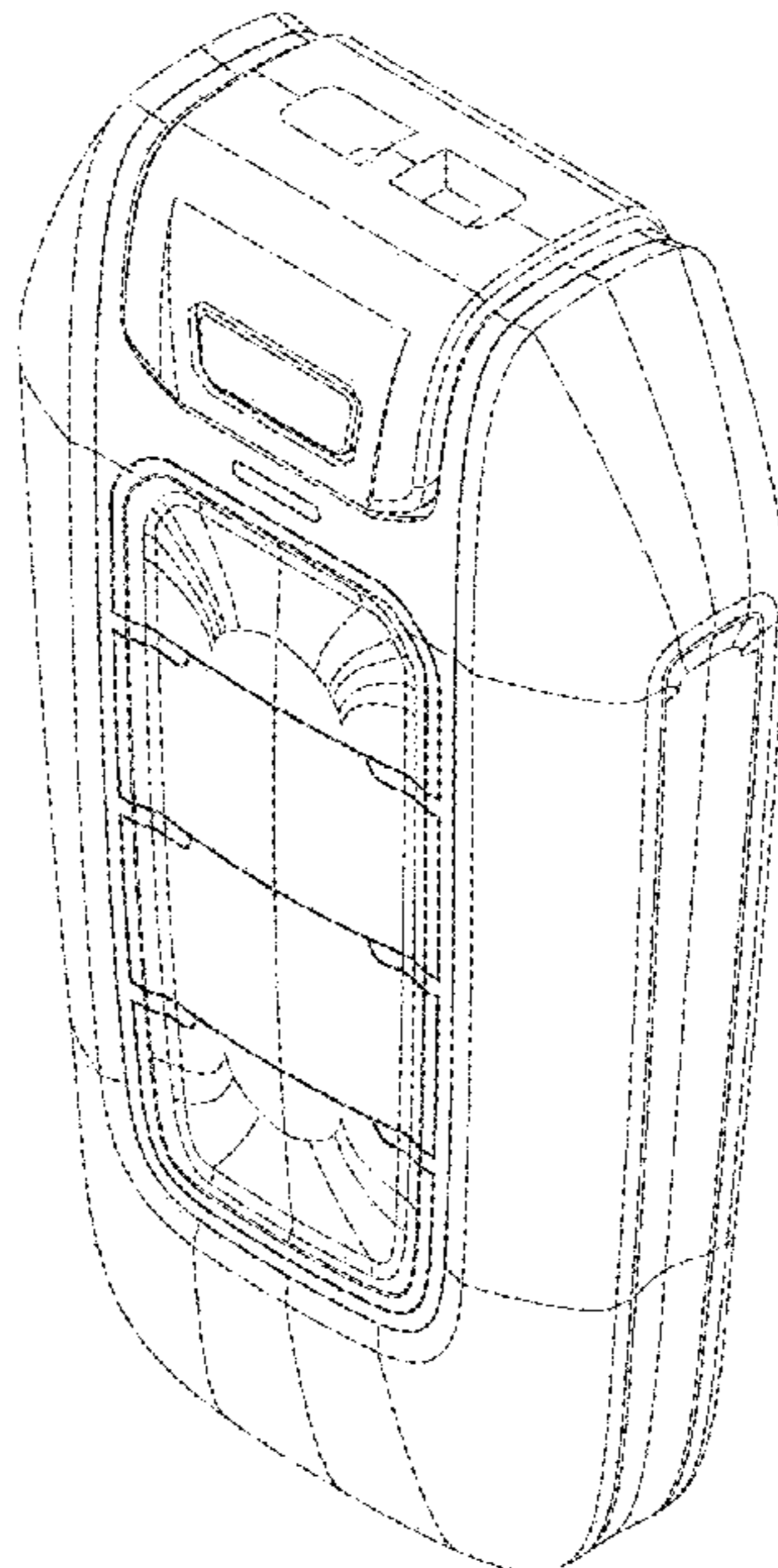
(57) **CLAIM**

I claim the ornamental design for a control device of a vehicle, as shown and described.

DESCRIPTION

FIG. 1 is a front elevational view of a control device of a vehicle showing our new design;
FIG. 2 is a back elevational view thereof;
FIG. 3 is a left side elevational view thereof;
FIG. 4 is a right side elevational view thereof;
FIG. 5 is a top plan view thereof;
FIG. 6 is a bottom plan view thereof; and,
FIG. 7 is a perspective view thereof.

1 Claim, 6 Drawing Sheets



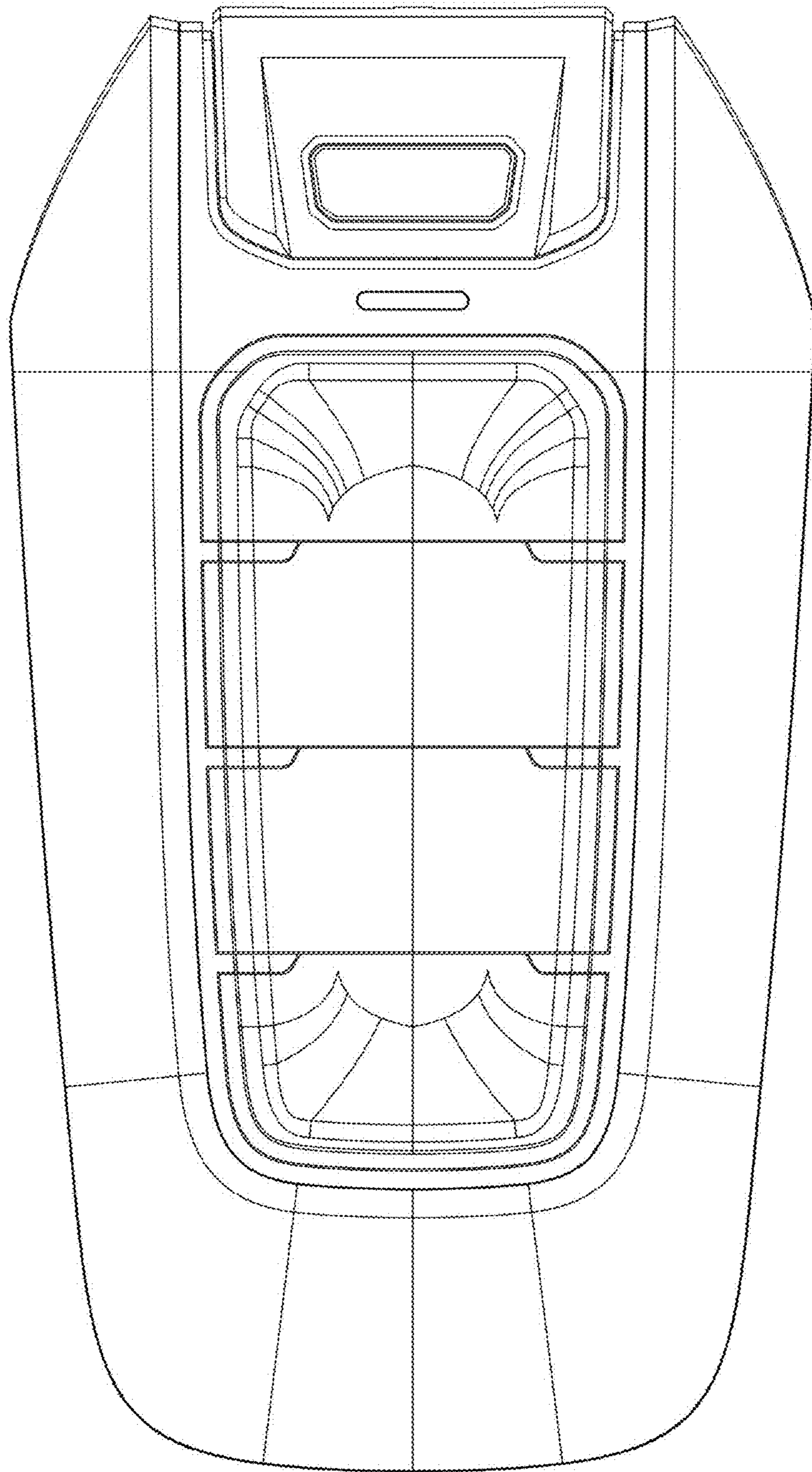


FIG.1

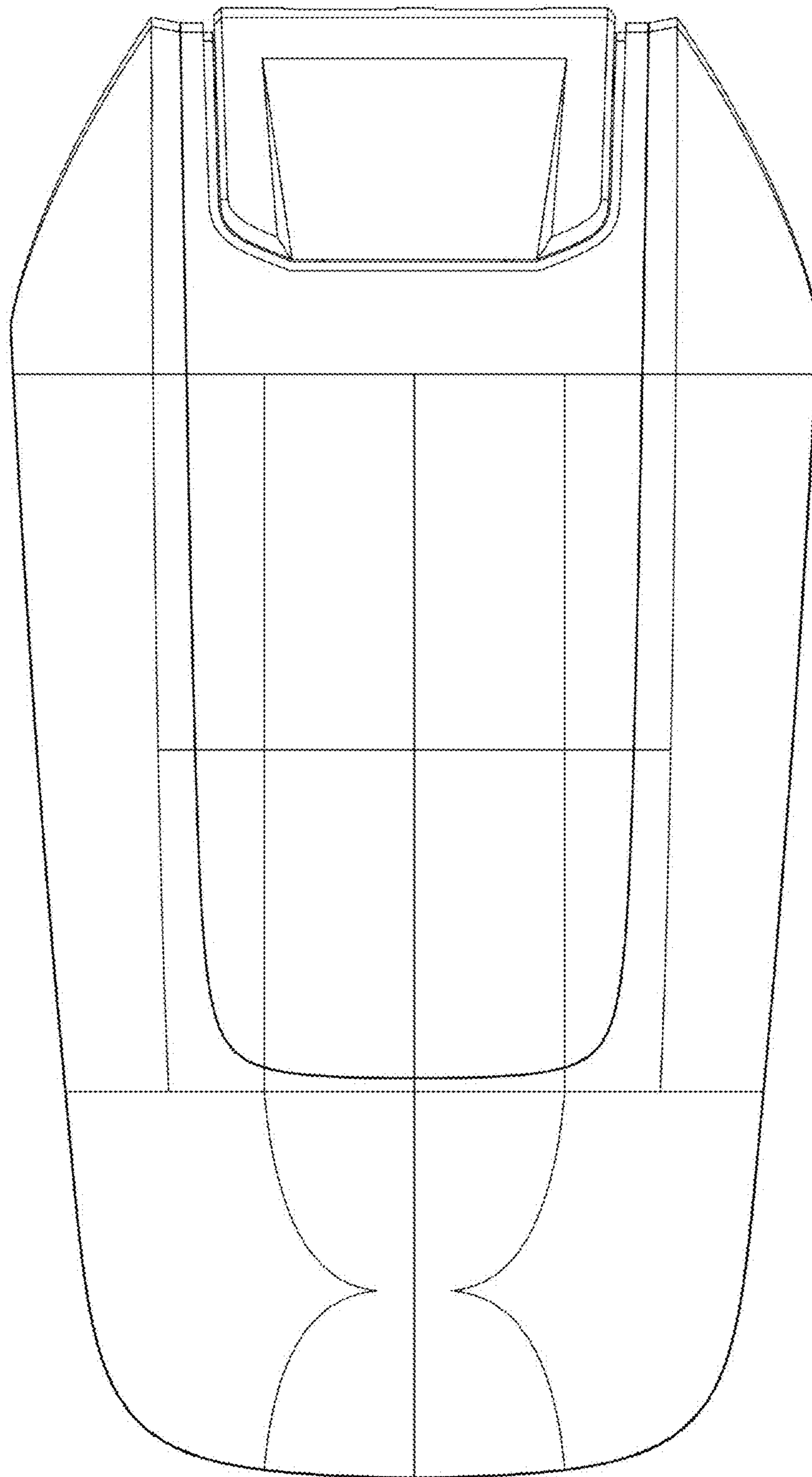


FIG.2

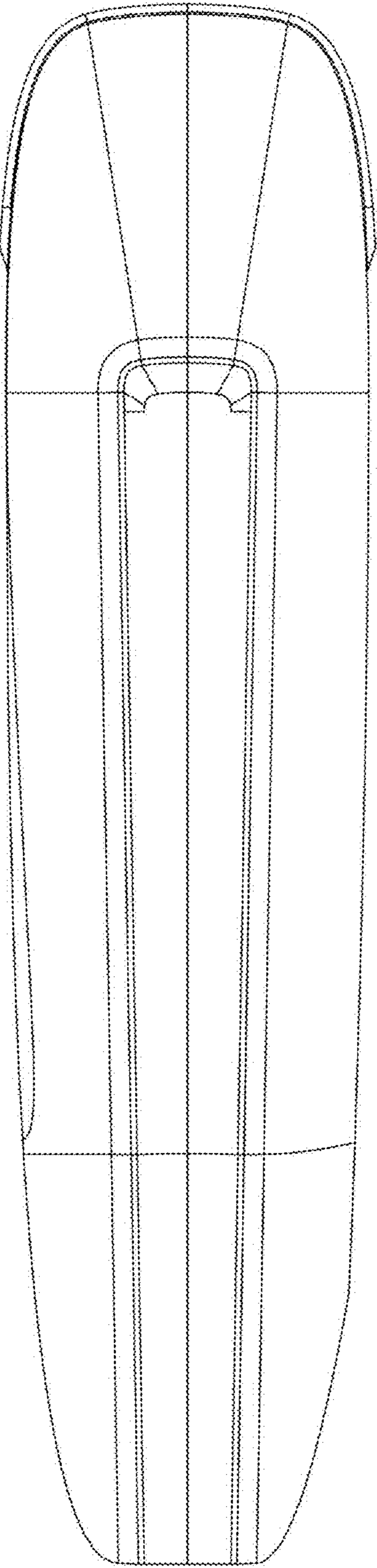


FIG.3

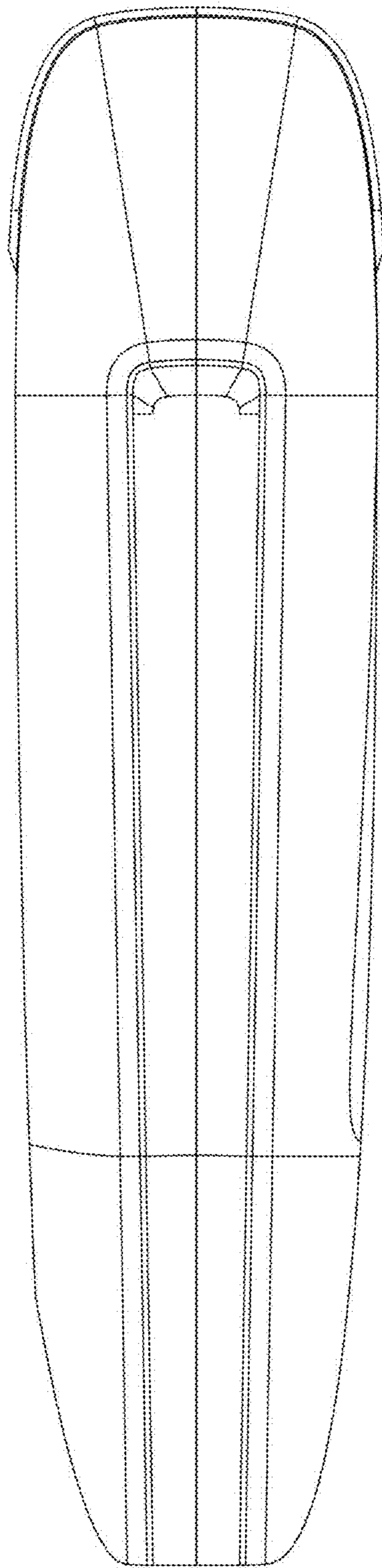


FIG.4

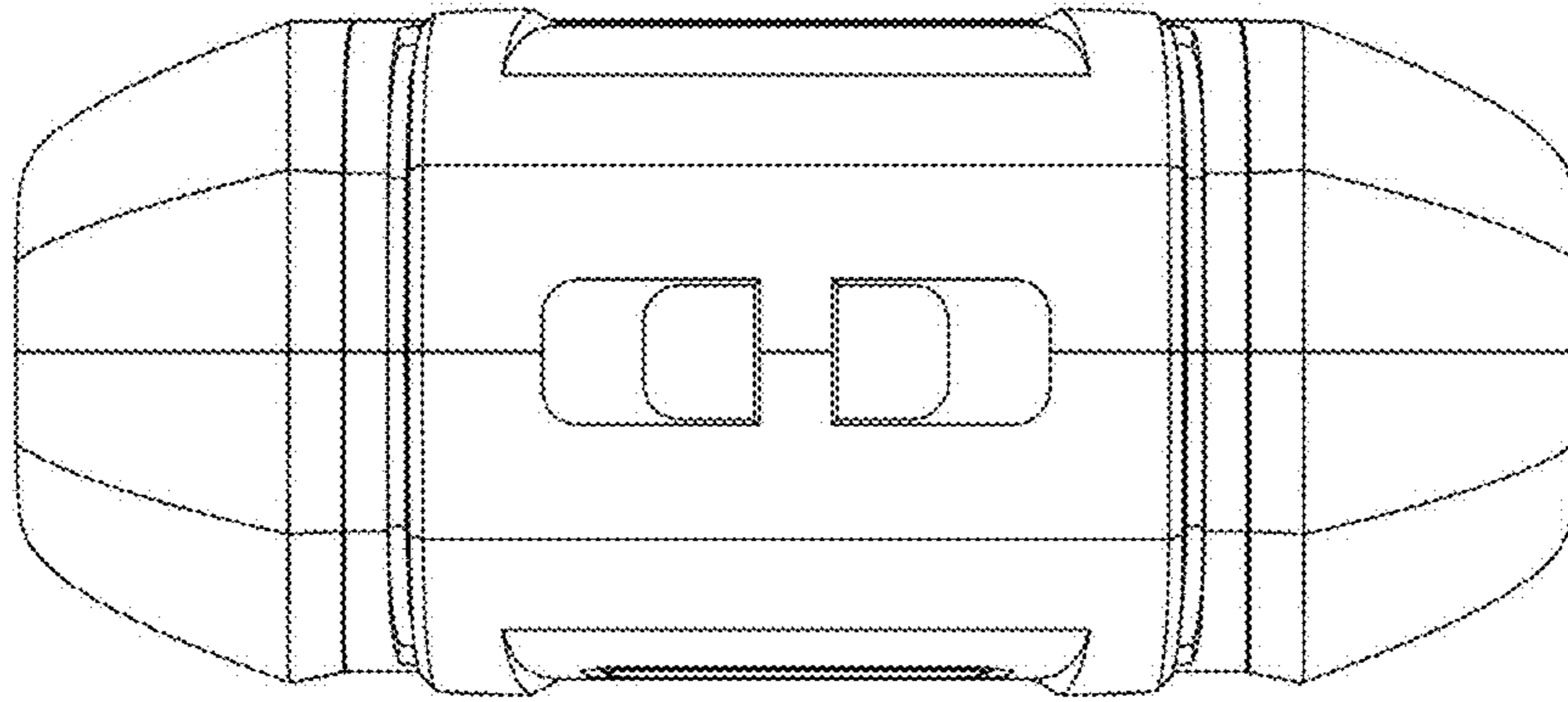


FIG.5

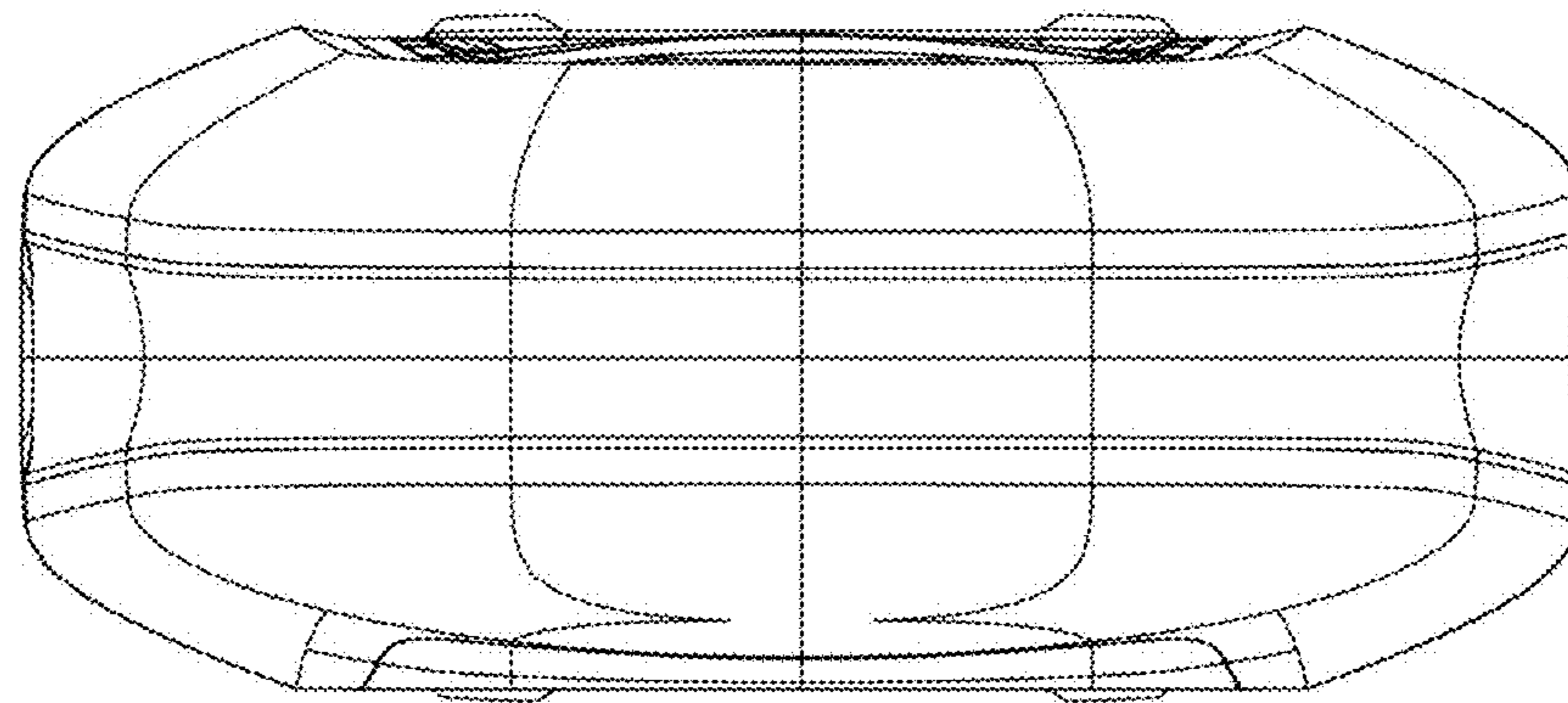


FIG.6

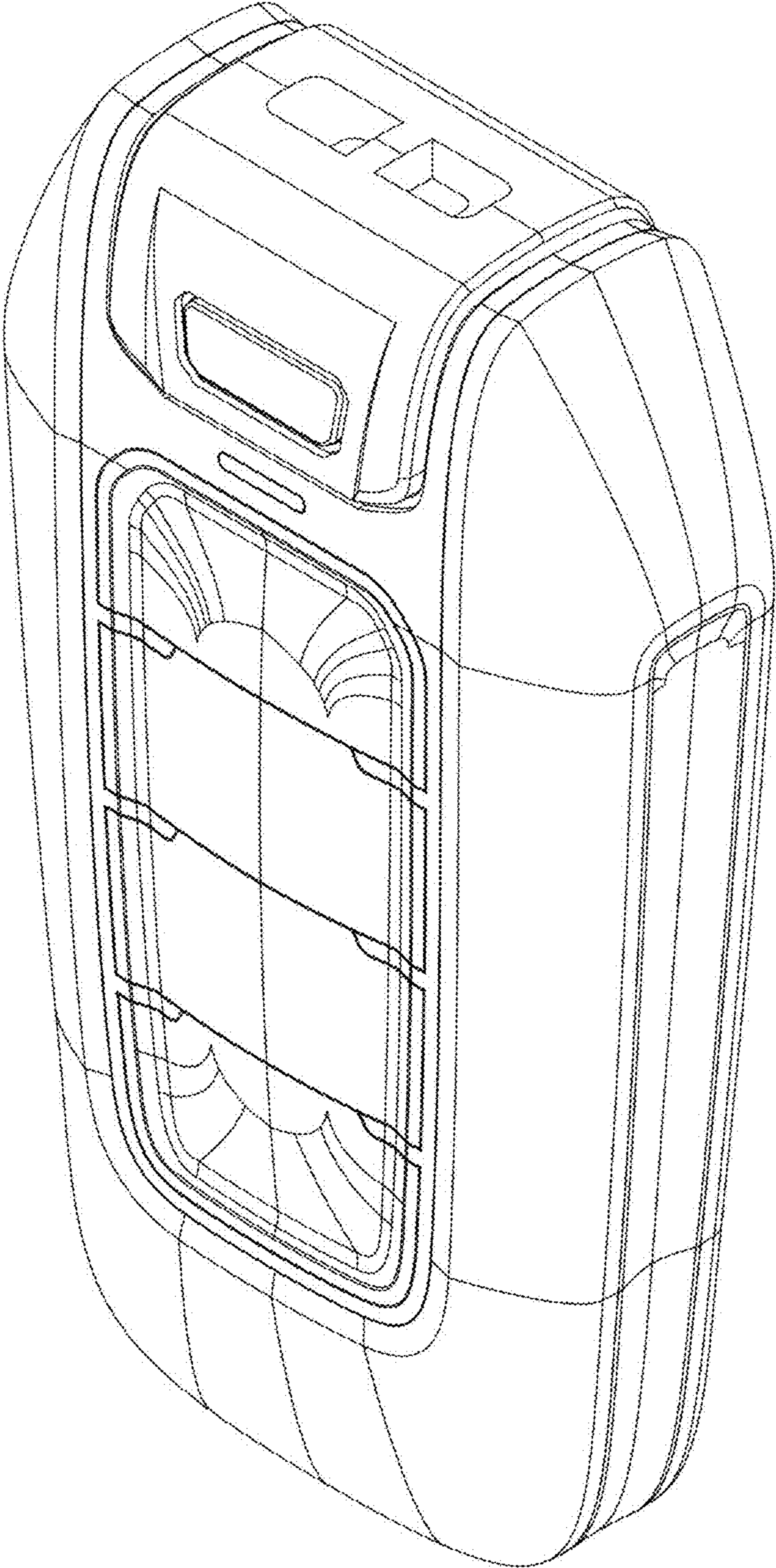


FIG.7