



US00D944213S

(12) **United States Design Patent** (10) **Patent No.:** **US D944,213 S**  
**Emami** (45) **Date of Patent:** **\*\* Feb. 22, 2022**

(54) **COMBINED DATA TRANSMISSION CABLE FOR MOBILE DEVICES WITH CASE AND SET OF REPLACEABLE TERMINAL CONNECTORS**

(71) Applicant: **Vonmählen GmbH**, Luneburg (DE)

(72) Inventor: **Arman Emami**, Berlin (DE)

(\*\*) Term: **15 Years**

(21) Appl. No.: **35/510,520**

(22) Filed: **Apr. 7, 2020**

(80) **Hague Agreement Data**

Int. Filing Date: **Apr. 7, 2020**

Int. Reg. No.: **DM/208064**

Int. Reg. Date: **Apr. 7, 2020**

Int. Reg. Pub. Date: **Oct. 9, 2020**

(51) **LOC (13) Cl.** ..... **13-03**

(52) **U.S. Cl.**  
USPC ..... **D13/153; D13/108**

(58) **Field of Classification Search**  
USPC ..... D13/153, 108, 146, 110, 147, 184;  
D3/218, 238, 270, 203.2, 263, 318;  
D6/518, 407; D14/434, 433; D9/418,  
D9/420; D24/217; D7/587; D28/82;  
D21/655; D10/72

CPC ..... H02J 7/0044; G07F 17/18; A45C 11/02;  
A45C 11/24; A45C 1/02; A61F 2/0095;  
B60R 7/088

See application file for complete search history.

(56) **References Cited**

**U.S. PATENT DOCUMENTS**

2,470,367 A \* 5/1949 Palma ..... A45C 1/02  
150/117  
5,316,147 A \* 5/1994 Weber-Unger ..... A61F 2/0095  
206/438  
D387,062 S \* 12/1997 Heine ..... D10/72

D435,385 S \* 12/2000 Eskandry ..... D3/218  
6,186,321 B1 \* 2/2001 Eskandry ..... B60R 7/088  
206/308.1  
D467,729 S \* 12/2002 Vazquez ..... D3/238  
D478,240 S \* 8/2003 Tung ..... D3/270  
D484,731 S \* 1/2004 Tung ..... D3/270  
D489,529 S \* 5/2004 Vish ..... D3/218  
D511,895 S \* 11/2005 Vish ..... D3/318  
D517,364 S \* 3/2006 Nieves ..... D6/407  
D530,671 S \* 10/2006 Reed ..... D13/147  
D594,265 S \* 6/2009 Wen ..... D21/655  
7,597,122 B1 \* 10/2009 Smith ..... G07F 17/18  
141/114  
D631,444 S \* 1/2011 Garay ..... D13/153  
D632,258 S \* 2/2011 Sumida ..... D13/153  
7,923,964 B2 \* 4/2011 Lin ..... H02J 7/0044  
320/115

(Continued)

**OTHER PUBLICATIONS**

“AllRoundo Power” reference dated May 7, 2021 found on the internet by RMS at: <https://www.facebook.com/vonmaehlen/>.

(Continued)

*Primary Examiner* — Rhea Shields

(57) **CLAIM**

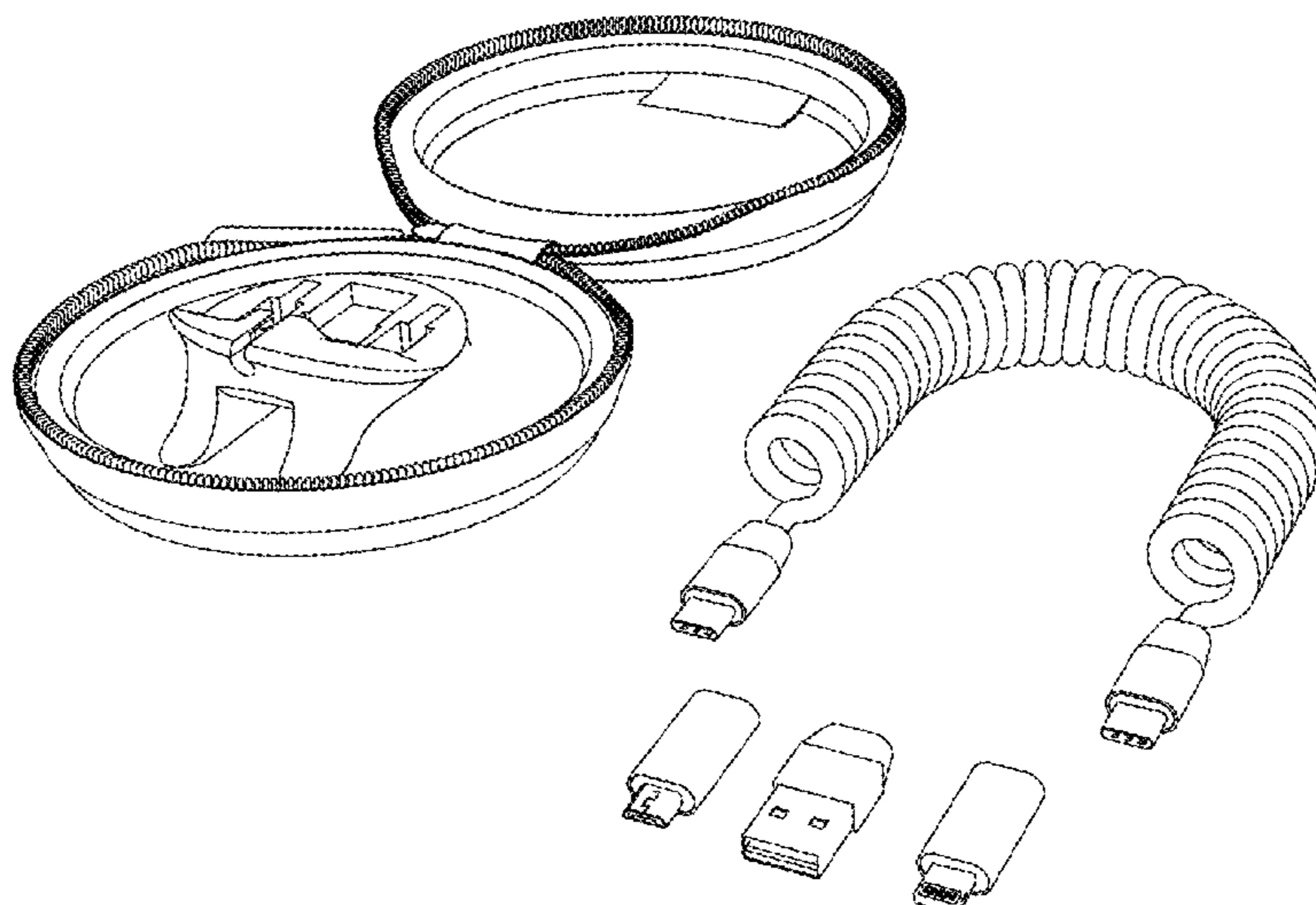
The ornamental design for a combined data transmission cable for mobile devices with case and set of replaceable terminal connectors, as shown.

**DESCRIPTION**

1. Combined data transmission cable for mobile devices with case and set of replaceable terminal connectors

- 1.1 : Perspective
- 1.2 : Front
- 1.3 : Back
- 1.4 : Top
- 1.5 : Bottom
- 1.6 : Right
- 1.7 : Left
- 1.8 : Perspective

**1 Claim, 8 Drawing Sheets**



(56)

**References Cited**

U.S. PATENT DOCUMENTS

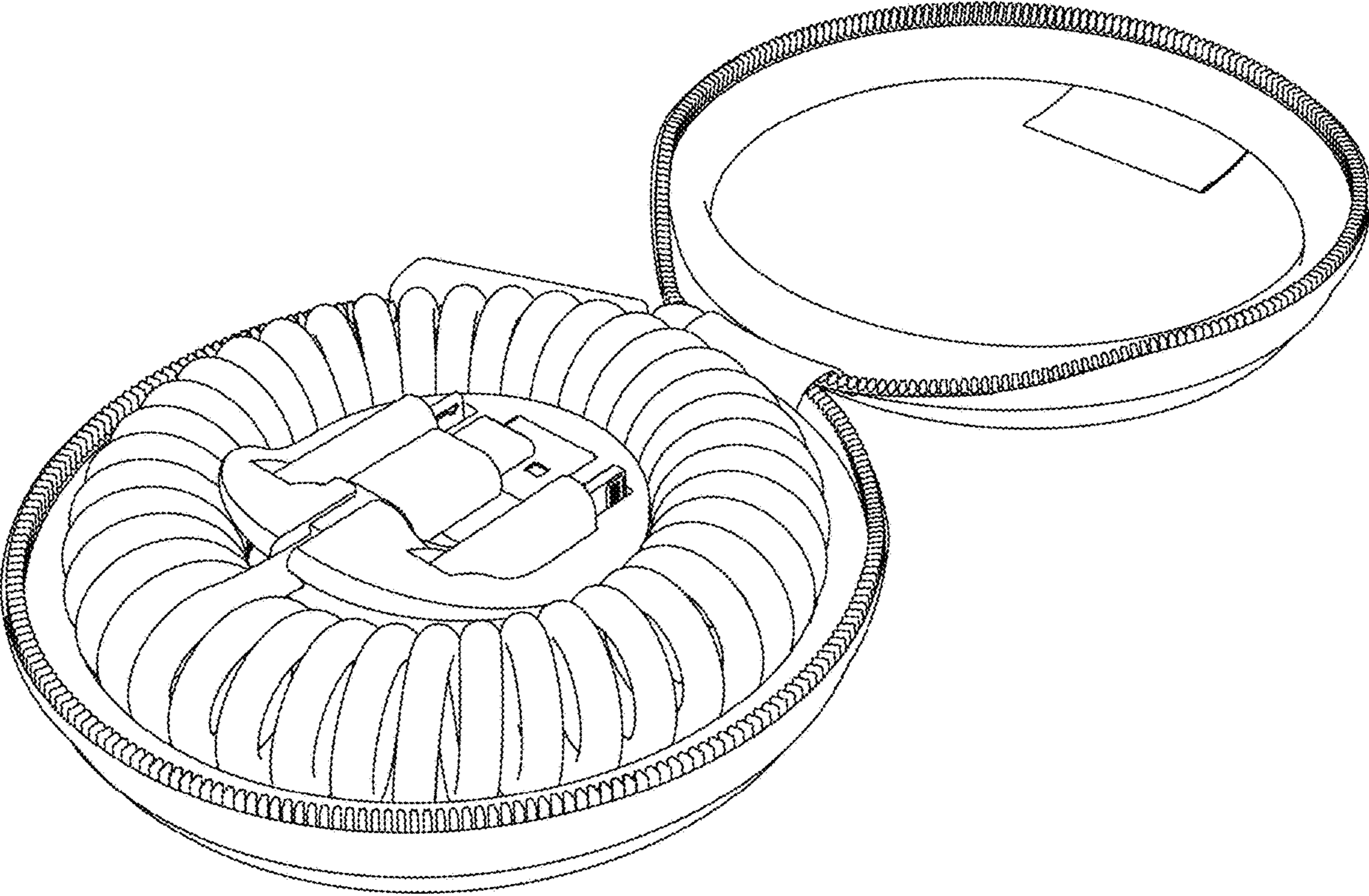
D650,635	S *	12/2011	Luo .....	D7/587
D661,668	S *	6/2012	Rose .....	D13/184
D681,936	S *	5/2013	Basas .....	D3/203.2
D692,390	S *	10/2013	Smith .....	D13/153
D743,965	S *	11/2015	Laffon de Mazieres ....	D14/433
D767,986	S *	10/2016	Epstein .....	A45C 11/02
				D9/420
D850,103	S *	6/2019	Natsume .....	D3/263
D858,097	S *	9/2019	Natsume .....	D3/263
D859,415	S *	9/2019	Liao .....	D14/434
D875,519	S *	2/2020	Giwani .....	D9/418
D884,627	S *	5/2020	Du .....	D13/110
D906,979	S *	1/2021	Chen .....	D13/146
D916,487	S *	4/2021	Zheng .....	D6/518
D920,907	S *	6/2021	Cox .....	D13/108
D923,877	S *	6/2021	Hasegawa .....	D28/82
D927,013	S *	8/2021	Ou Yang .....	D24/217
2004/0188287	A1 *	9/2004	Molnar .....	A45C 11/24
				206/311

OTHER PUBLICATIONS

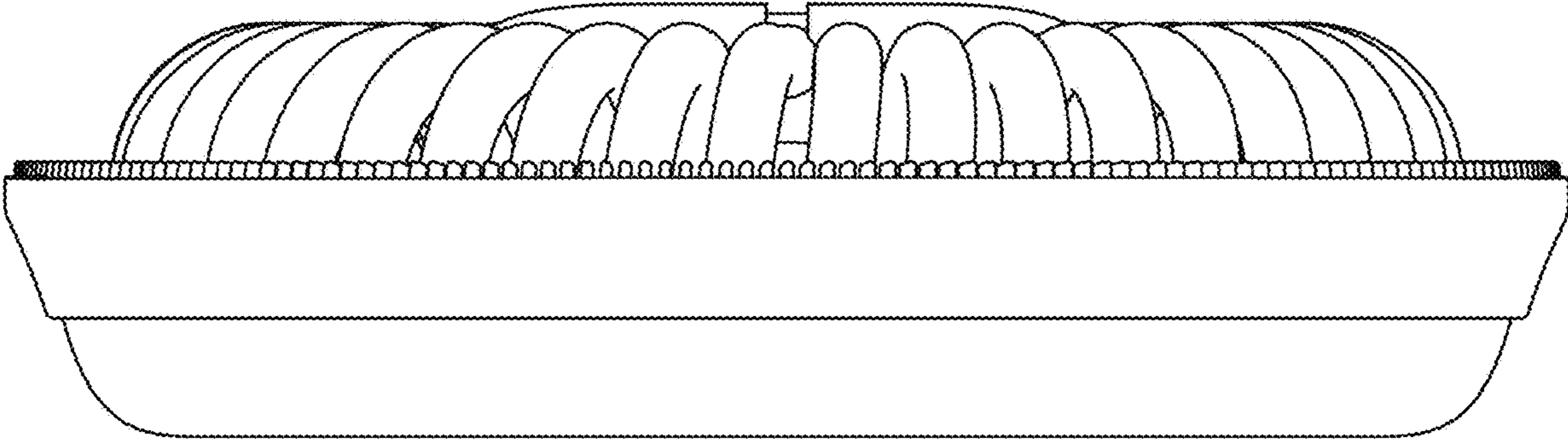
“Tradeconthor . . . ” reference dated Jul. 4, 2018 found on the internet by RMS at: <https://www.eppi-online.com/2018/07/04/tradeconthor-becomes-vonmahlen/>.\*

\* cited by examiner

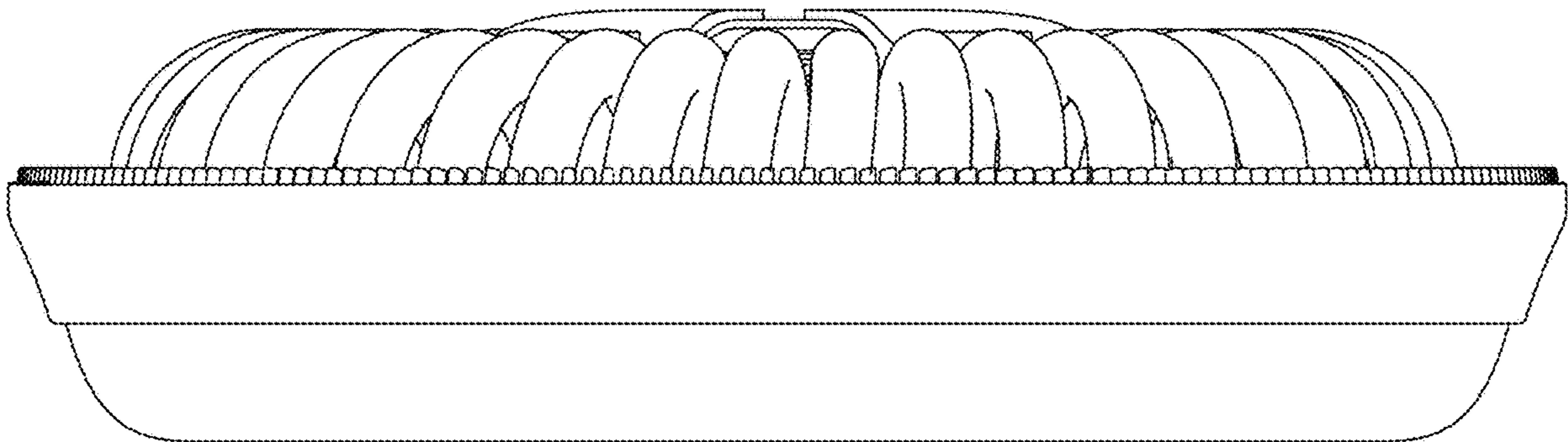
1.1



1.2

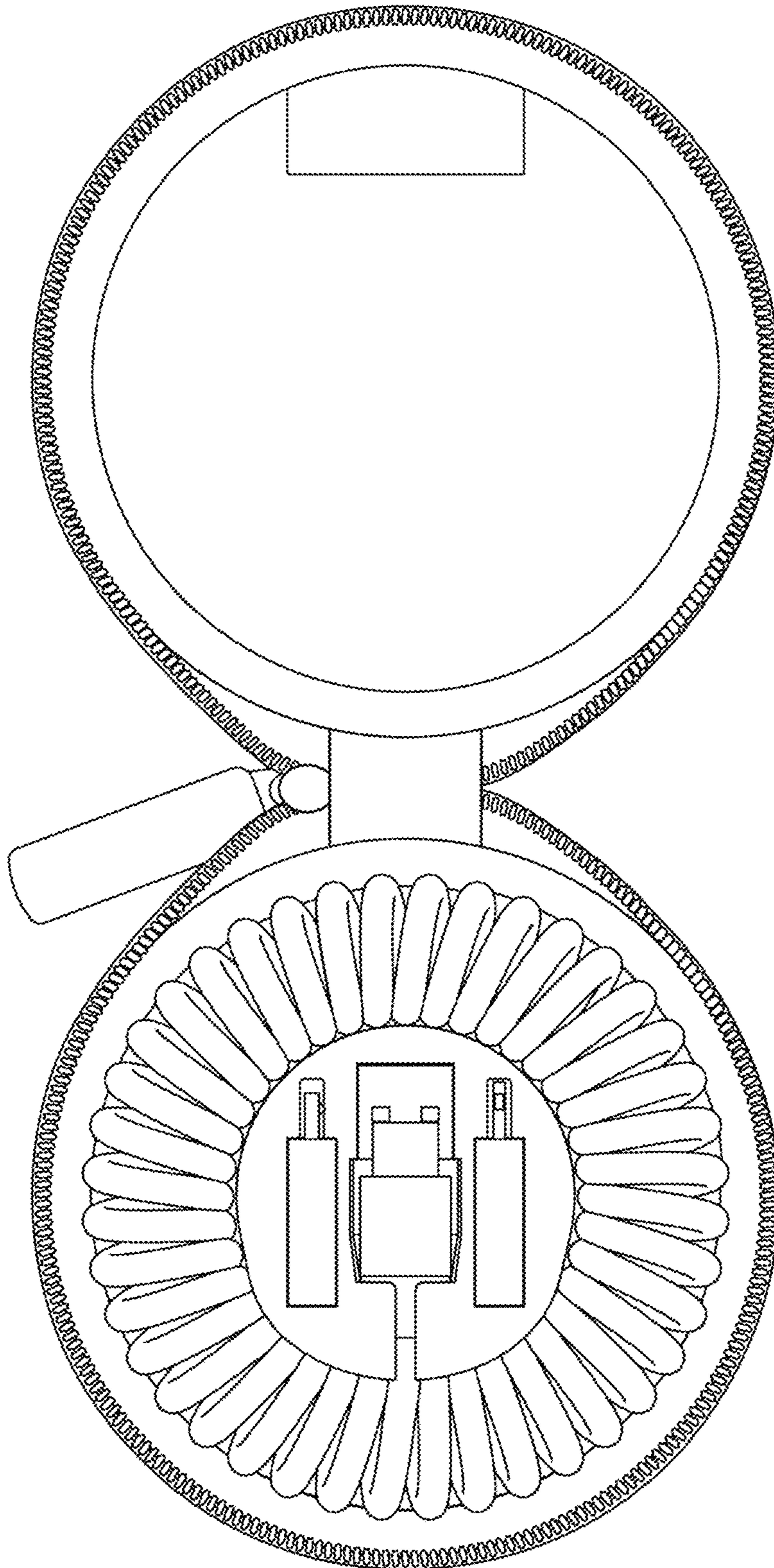


1.3

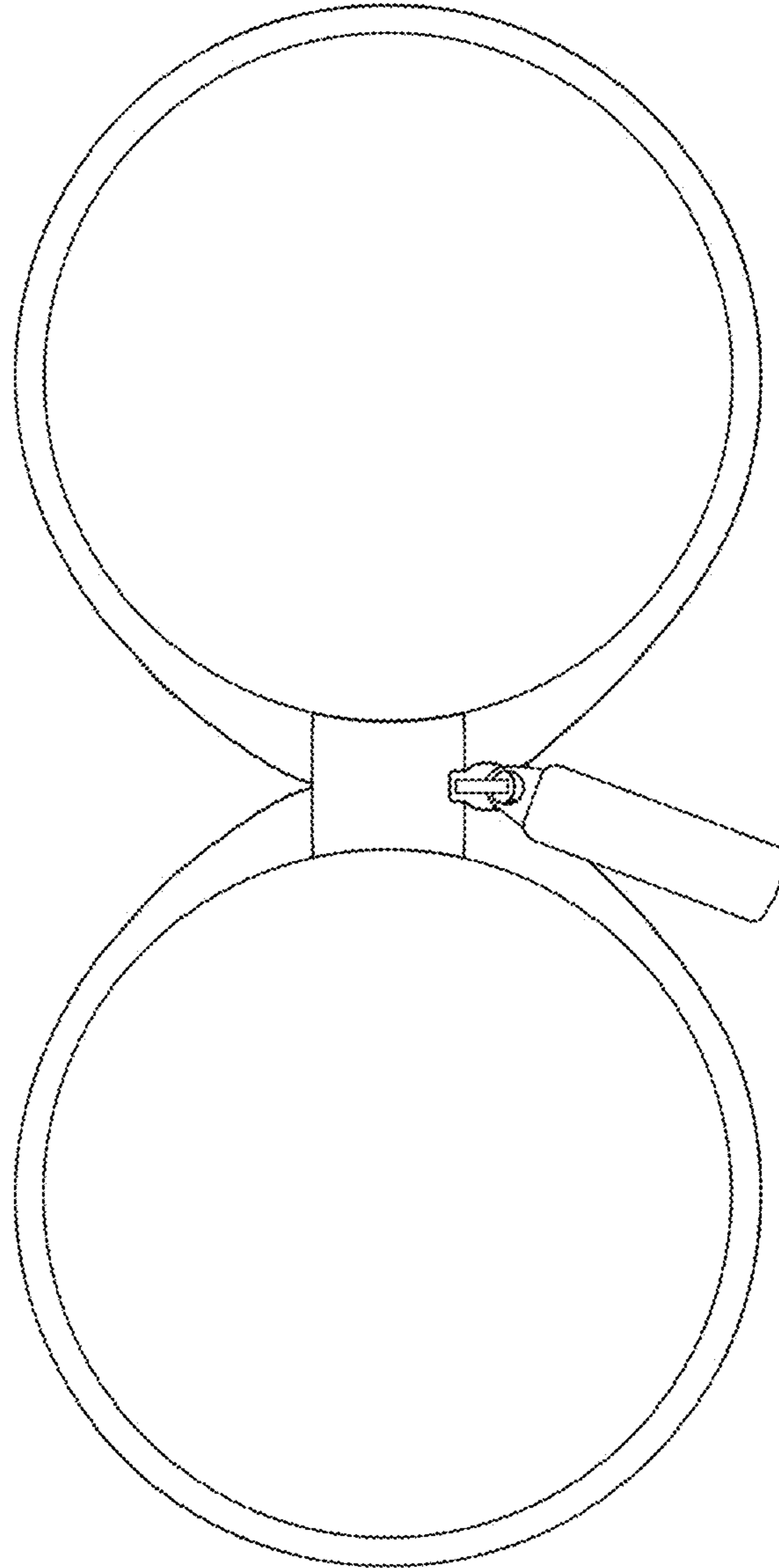




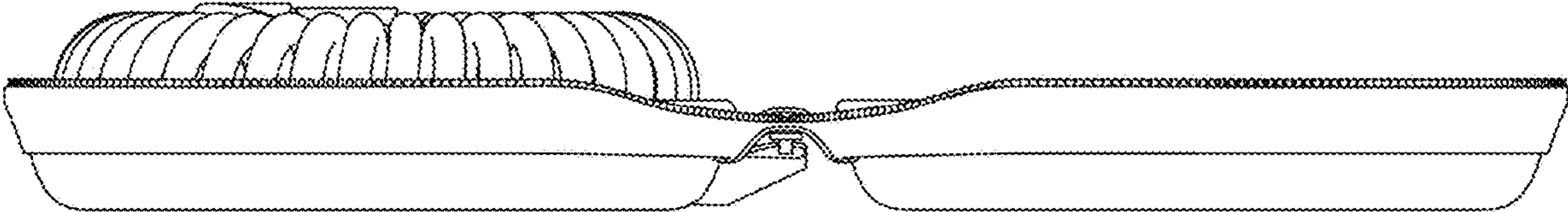
1.4



1.5

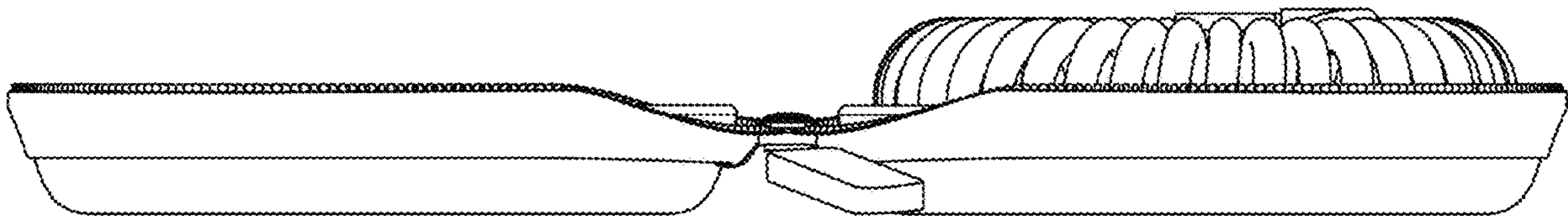


1.6





1.7



1.8

