

US00D944211S

(12) **United States Design Patent**
Cipully

(10) **Patent No.:** **US D944,211 S**

(45) **Date of Patent:** **** Feb. 22, 2022**

(54) **CELL PHONE VAPORIZER CARTRIDGE ADAPTER**

(71) Applicant: **Taylor Cipully**, Danbury, CT (US)

(72) Inventor: **Taylor Cipully**, Danbury, CT (US)

(**) Term: **15 Years**

(21) Appl. No.: **29/692,672**

(22) Filed: **May 28, 2019**

(51) **LOC (13) Cl.** **13-03**

(52) **U.S. Cl.**
USPC **D13/151**; D13/147

(58) **Field of Classification Search**
USPC D13/103, 107, 108, 118–121, 123, 133,
D13/145–147, 149, 151, 153, 154, 173,
D13/184, 199; D14/433; D23/363;
D27/167
CPC A24F 47/00; A24F 47/008; A61M 11/04;
A61M 15/00; A61M 16/18; A61M 16/20;
A61M 16/202; H01R 9/00; H01R 12/00;
H01R 13/00; H01R 31/06; H02J 7/00;
H02J 7/0045

See application file for complete search history.

(56) **References Cited**

U.S. PATENT DOCUMENTS

D707,680 S *	6/2014	Akana	D14/433
D707,688 S *	6/2014	Wu	D14/480.1
D744,419 S *	12/2015	Bowen	H02J 7/00
				D13/108
D796,447 S *	9/2017	Kusano	D13/146
D815,349 S *	4/2018	Watson	D27/194
10,076,629 B1 *	9/2018	Rettaliata	A61M 16/14
D830,298 S *	10/2018	Bailey	D13/108
D836,834 S *	12/2018	Cividi	D27/194
D889,416 S *	7/2020	Zhao	D13/153
D890,097 S *	7/2020	Yamashita	D13/119
D908,639 S *	1/2021	Jung	D13/151
2010/0022123 A1 *	1/2010	Zhang	H01R 13/42
				439/578

2011/0269349 A1 *	11/2011	Sulem	H01R 13/22	439/638
2012/0040571 A1 *	2/2012	Yoshioka	H01R 43/24	439/736
2013/0161069 A1 *	6/2013	Erdle	H01R 4/30	174/135
2016/0134051 A1 *	5/2016	Zhang	H01R 24/60	439/39
2017/0062974 A1 *	3/2017	Daoura	H01R 13/64	

(Continued)

OTHER PUBLICATIONS

Crozziz Magnetic Phone Charging Cable, dated Sep. 8, 2018, [online], [site visited Aug. 6, 2020]. Available from Internet, URL: <https://www.amazon.com/dp/B07PPC6MHP> (Year: 2018).*

(Continued)

Primary Examiner — Shawn T Gingrich
(74) *Attorney, Agent, or Firm* — Lyman Moulton, Esq.;
Moulton Patents, PLLC

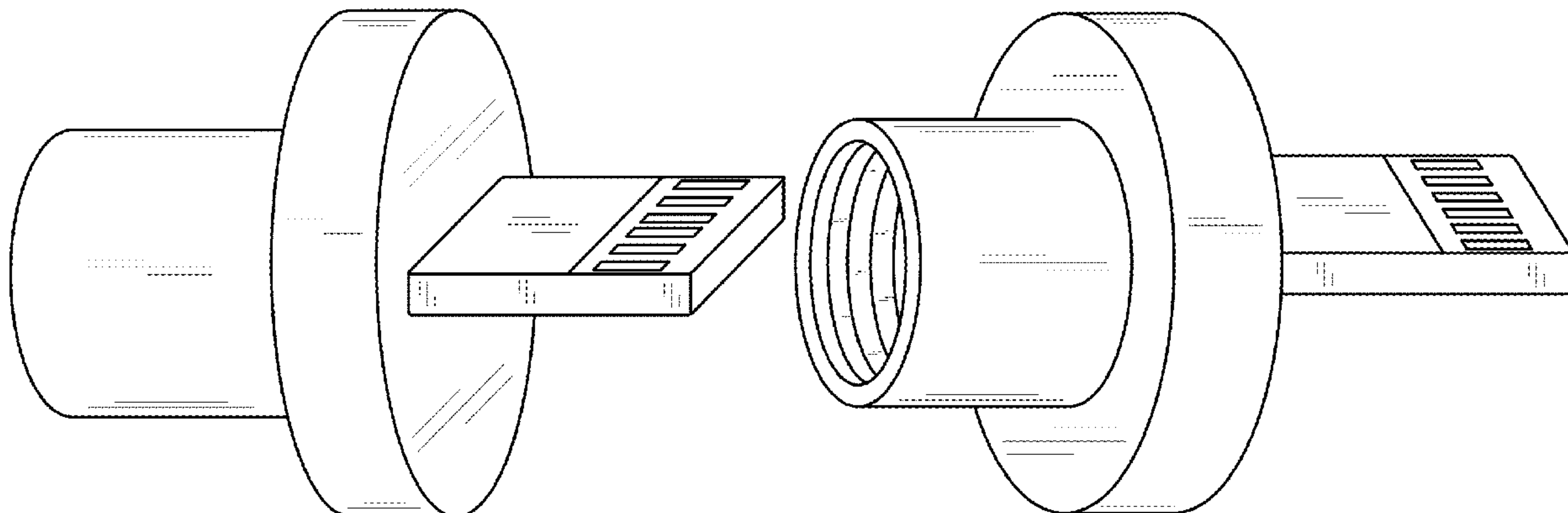
(57) **CLAIM**

The ornamental design for the cell phone vaporizer cartridge adapter, as shown and described.

DESCRIPTION

FIG. 1 is a bottom elevational view of a cell phone vaporizer cartridge adapter showing my new design, the top elevational view being identical;
FIG. 2 is a left side elevational view thereof, the right side elevational view being identical,
FIG. 3 is a front elevational view thereof,
FIG. 4 is a back elevational view thereof,
FIG. 5 is a back perspective view thereof; and,
FIG. 6 is a front perspective view thereof.
The broken lines in the figure drawings illustrate portions of the cell phone vaporizer cartridge adapter that form no part of the claimed design.

1 Claim, 5 Drawing Sheets



(56)

References Cited

U.S. PATENT DOCUMENTS

2019/0165536 A1* 5/2019 Dawes H01R 9/05
2019/0223506 A1* 7/2019 Biel B67B 7/26
2019/0309880 A1* 10/2019 Costanzi F16L 33/2076
2020/0127475 A1* 4/2020 Cheung A61M 11/042
2020/0313374 A1* 10/2020 Cipully A24F 47/008

OTHER PUBLICATIONS

Double Mag 2-Way Magnetic Charging Cable, dated Nov. 14, 2018, [online], [site visited Aug. 6, 2020]. Available from Internet, URL: <https://mikeshouts.com/double-mag-2-way-magnetic-charging-cable/> (Year: 2018).*

510 to USB Power Bank Adapter for IPV Mini, dated May 23, 2015, [online], [site visited Jul. 9, 2021]. Available from Internet, URL: <https://evcigarettes.com/510-to-usb-power-bank-adapter-for-ipv-mini/> (Year: 2015).*

* cited by examiner

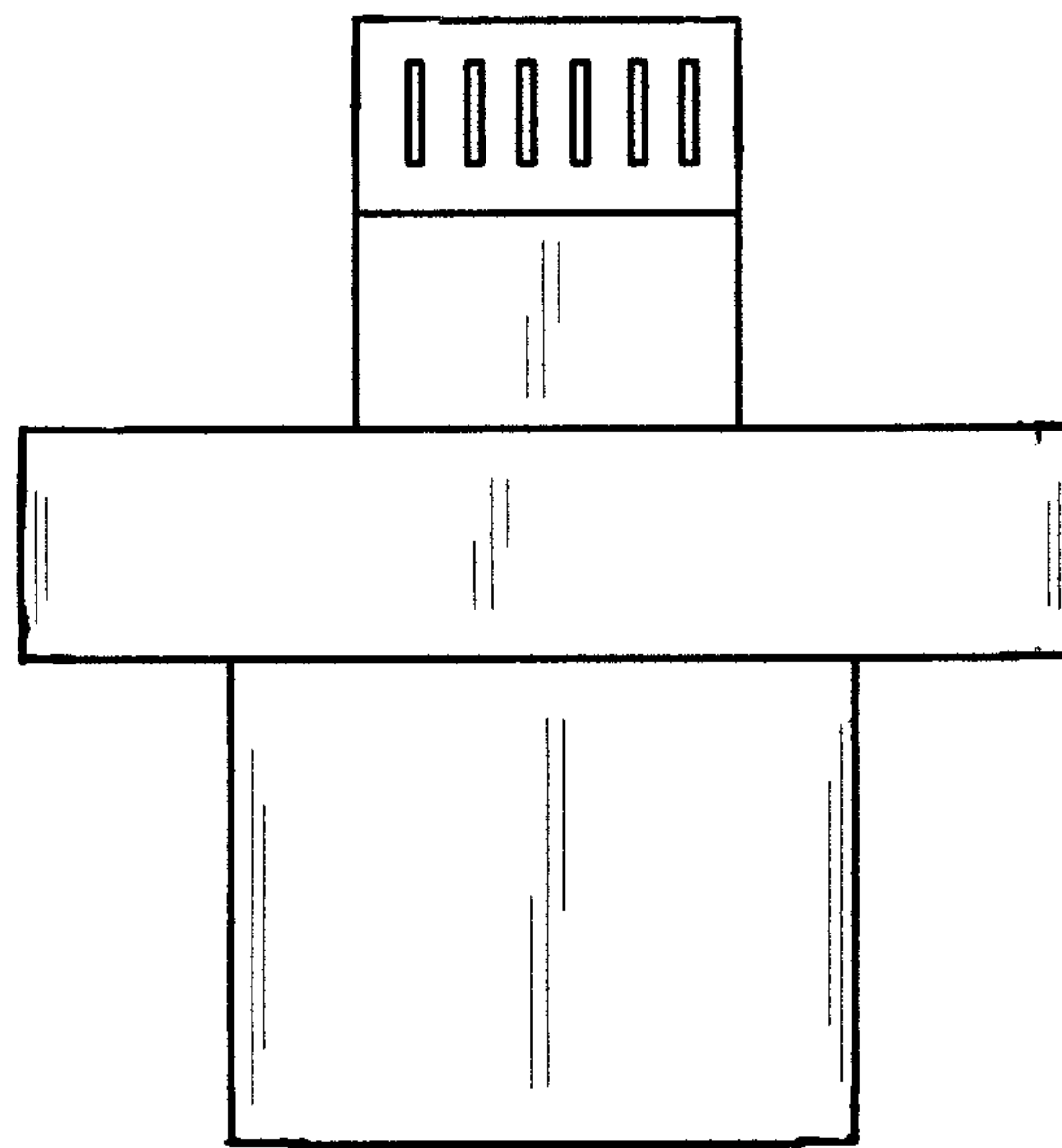


FIG. 1

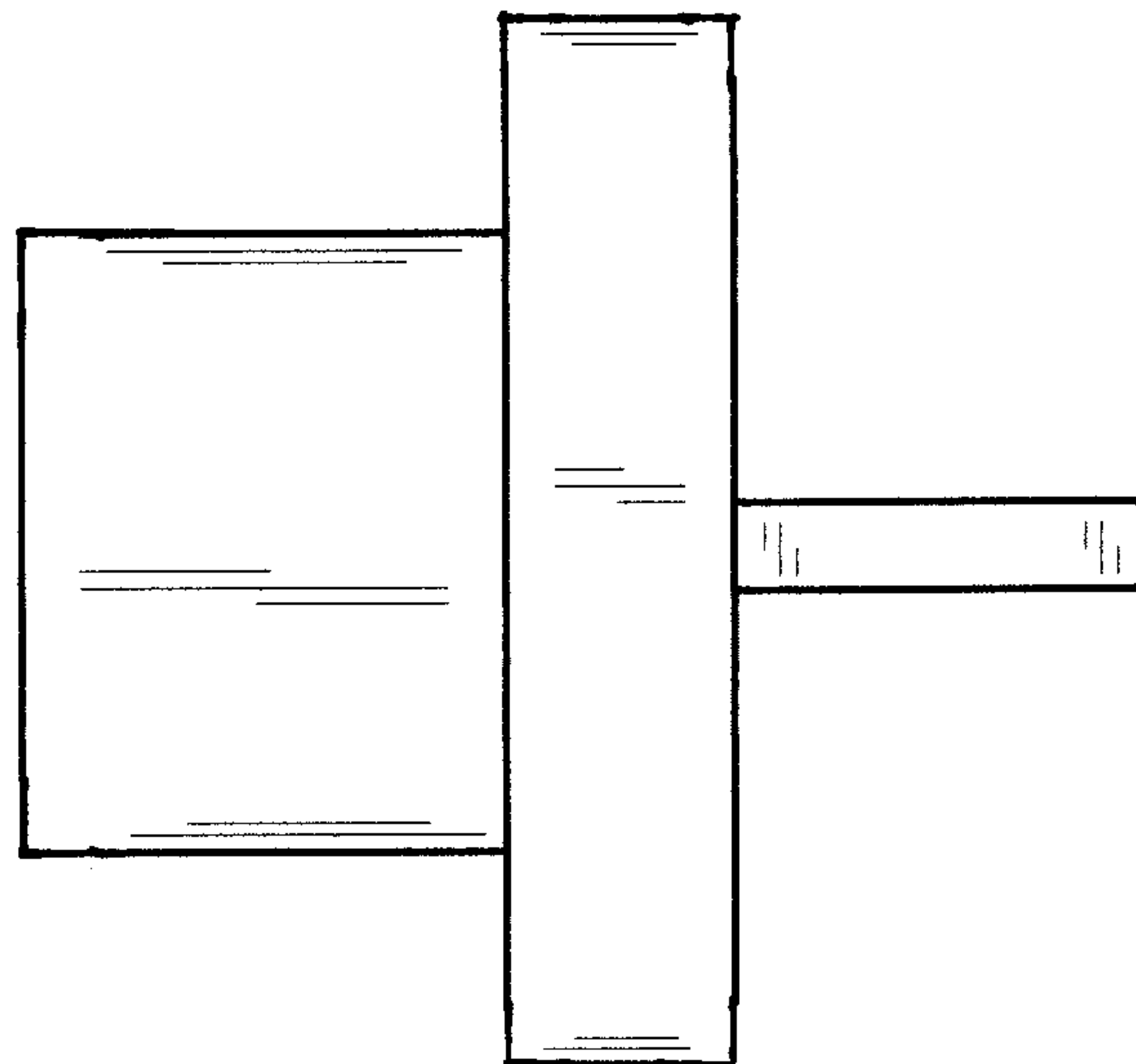


FIG. 2

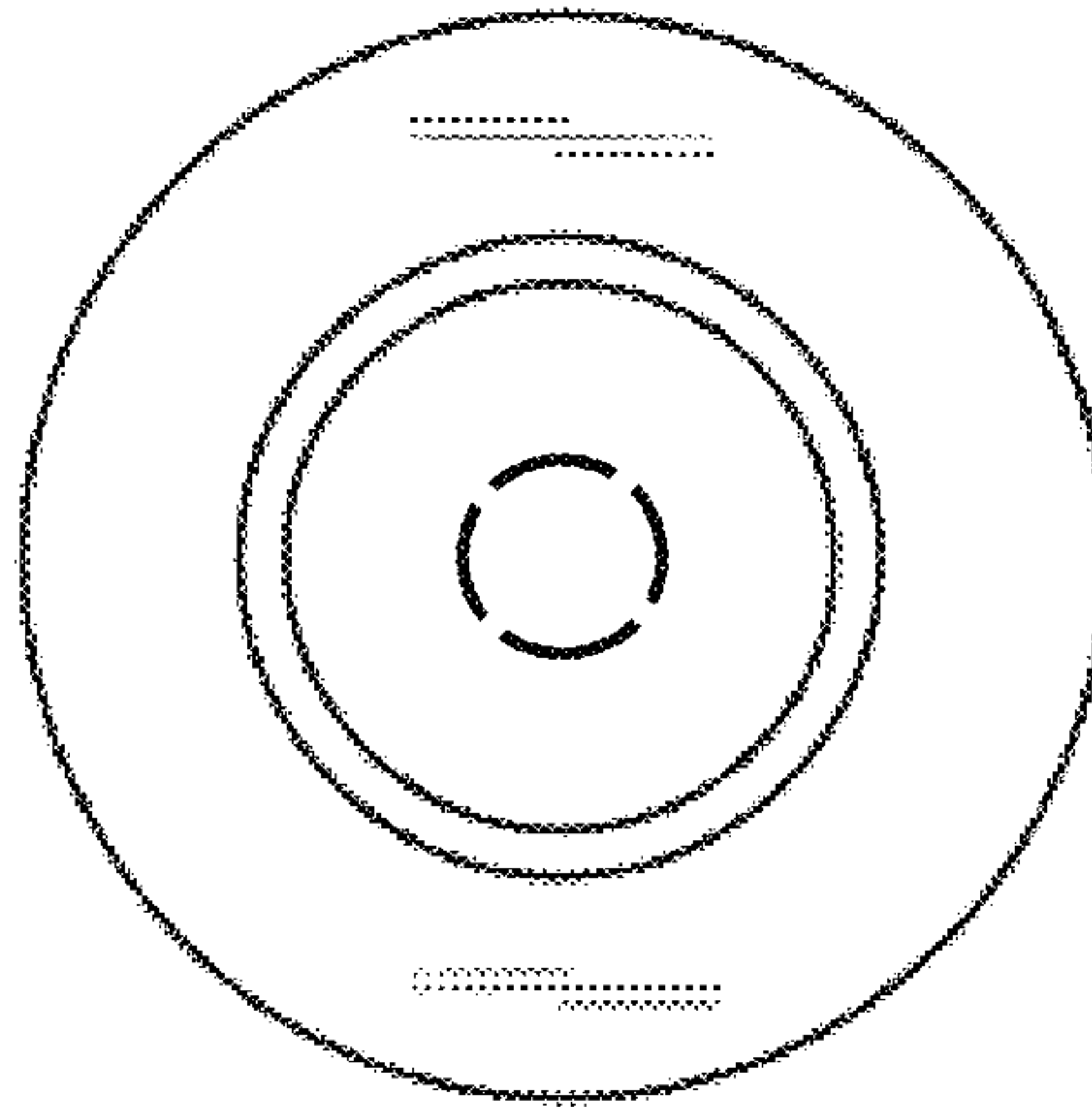


FIG. 3

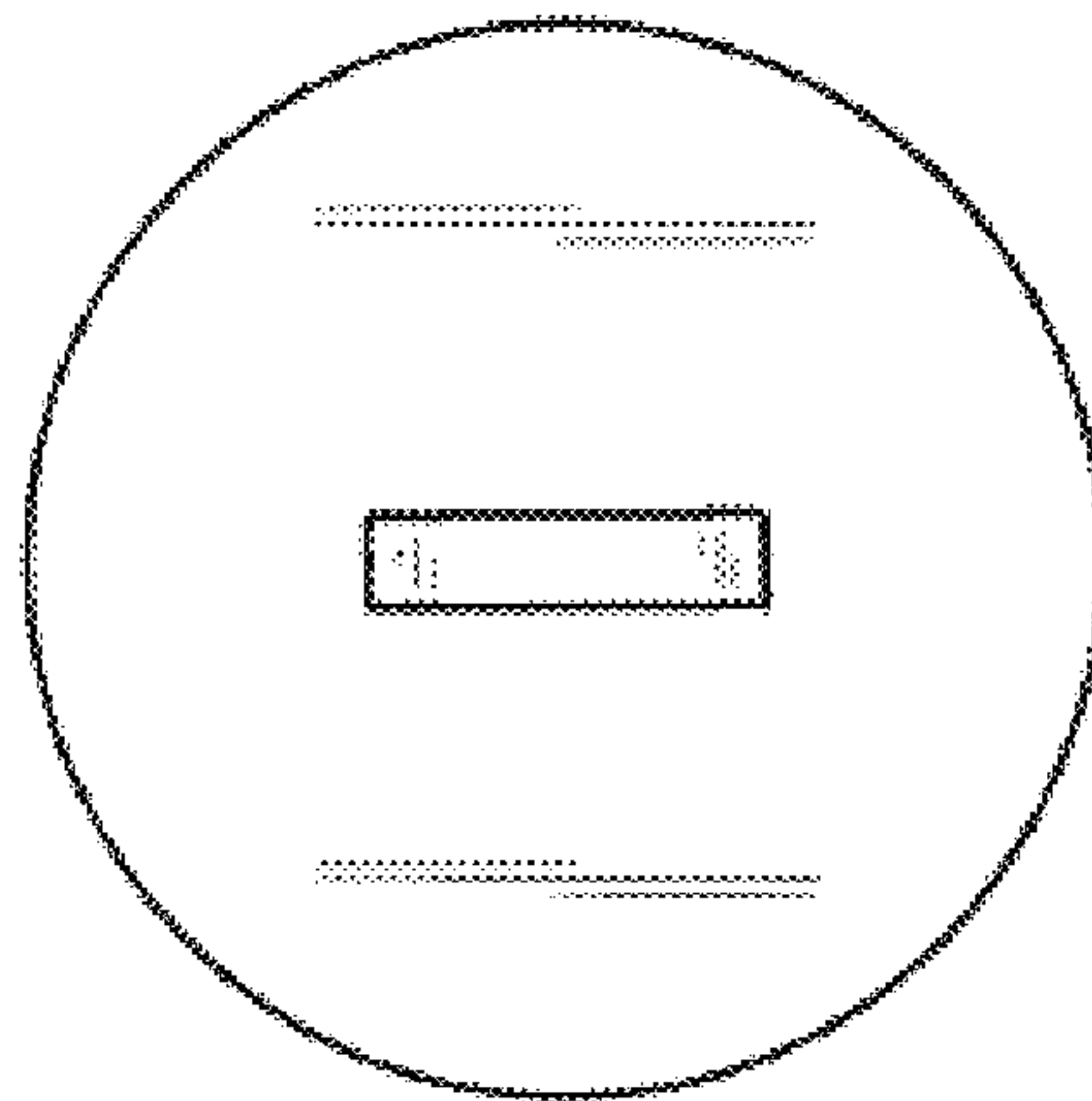


FIG. 4

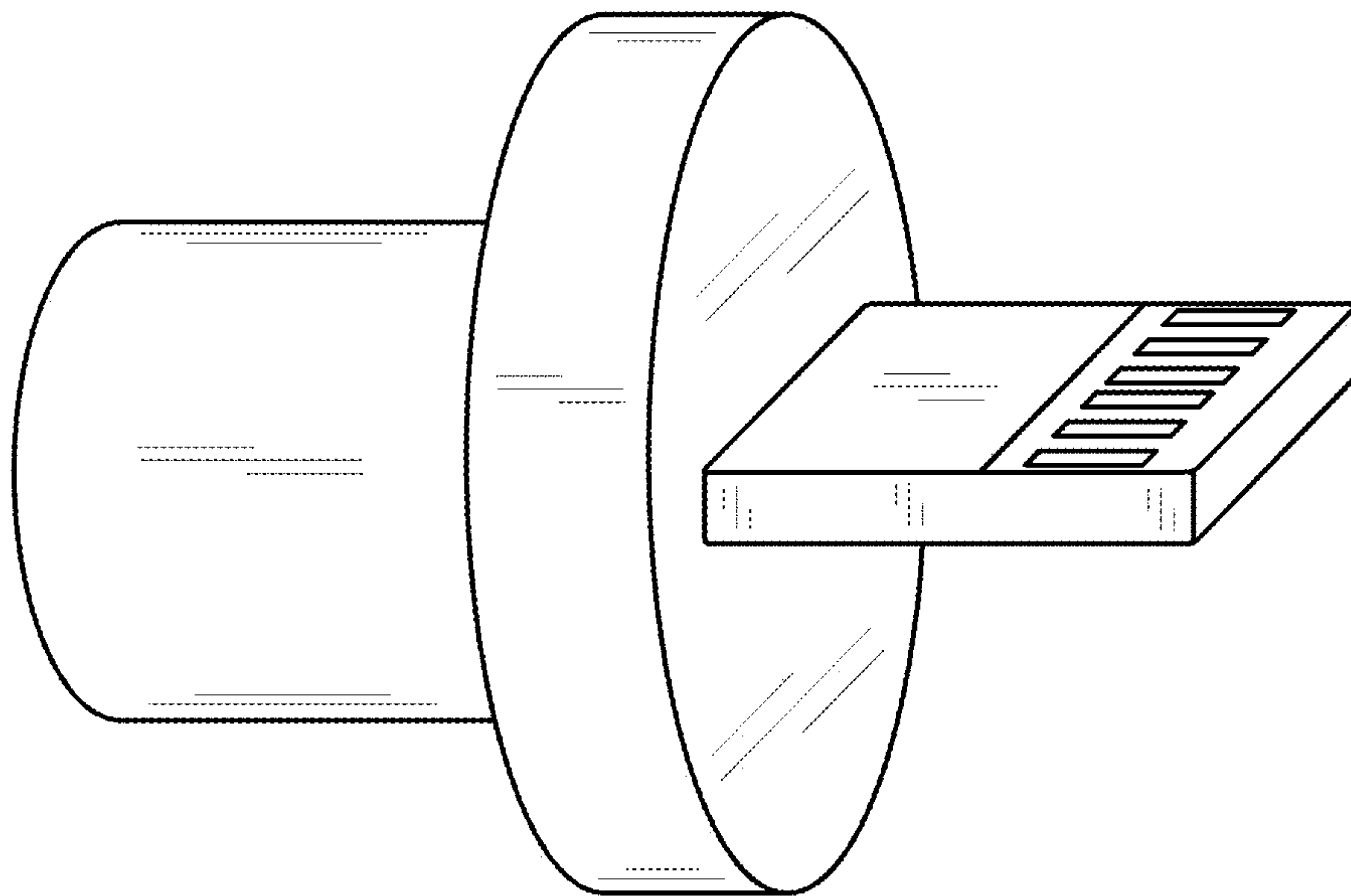


FIG. 5

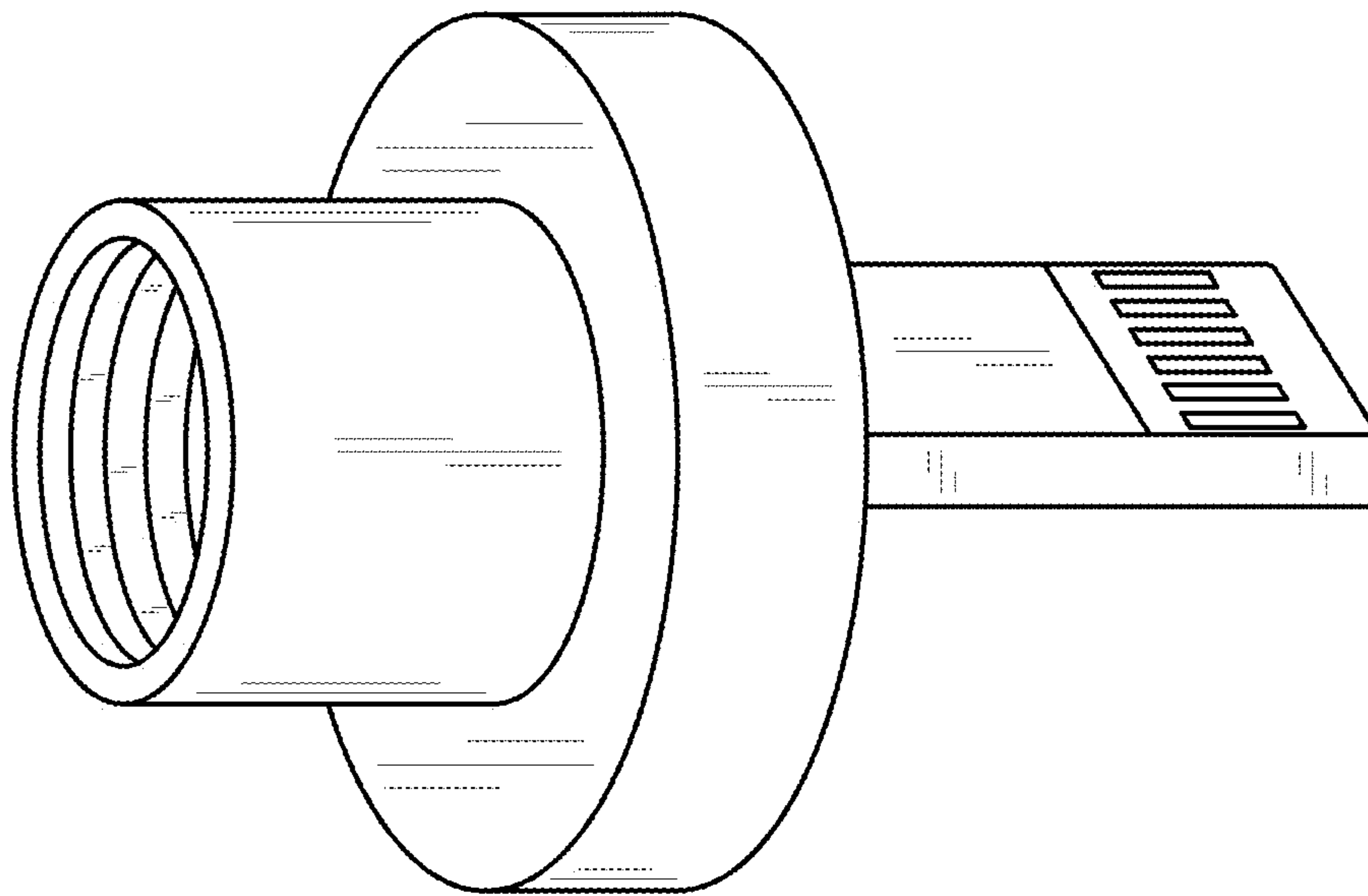


FIG. 6