



US00D944210S

(12) **United States Design Patent** (10) **Patent No.:** **US D944,210 S**  
**Millward** (45) **Date of Patent:** **\*\* Feb. 22, 2022**

(54) **CONTACT PLUG FOR ELECTRIC CABLES**

(71) Applicant: **LINDY-Elektronik GmbH**, Mannheim (DE)

(72) Inventor: **John Millward**, Kubutambahan (ID)

(73) Assignee: **LINDY-ELEKTRONIK GMBH**, Mannheim (DE)

(\*\*) Term: **15 Years**

(21) Appl. No.: **35/509,297**

(22) Filed: **Oct. 7, 2019**

(80) **Hague Agreement Data**

Int. Filing Date: **Oct. 7, 2019**  
Int. Reg. No.: **DM/207719**  
Int. Reg. Date: **Oct. 7, 2019**  
Int. Reg. Pub. Date: **May 8, 2020**

(30) **Foreign Application Priority Data**

Apr. 5, 2019 (DE) ..... 402019100407.6

(51) **LOC (13) Cl.** ..... **13-03**

(52) **U.S. Cl.**  
USPC ..... **D13/147**

(58) **Field of Classification Search**  
USPC ..... D13/133, 138.1, 146, 147, 153, 154;  
D14/433

CPC .... H01R 13/6397; H01R 13/717; F16B 35/00  
See application file for complete search history.

(56) **References Cited**

**U.S. PATENT DOCUMENTS**

D456,509 S \* 4/2002 Schultz ..... D13/153  
D516,032 S \* 2/2006 Suckle ..... D13/147  
D553,568 S \* 10/2007 Lee ..... D13/133  
D564,971 S \* 3/2008 Victor ..... D13/146

D586,293 S \* 2/2009 Fujino ..... D13/133  
D588,547 S \* 3/2009 Lee ..... D13/154  
D604,251 S \* 11/2009 Hwang ..... D13/154  
D620,448 S \* 7/2010 Lee ..... D13/154  
D620,449 S \* 7/2010 Lee ..... D13/154  
D621,362 S \* 8/2010 Huang ..... D13/147  
D622,220 S \* 8/2010 Huang ..... D13/147  
D631,444 S \* 1/2011 Garay ..... D13/153  
D636,337 S \* 4/2011 Smith ..... D13/147  
D671,945 S \* 12/2012 van der Lande ..... D14/433  
D676,389 S \* 2/2013 Worth ..... D13/147  
D694,243 S \* 11/2013 Akana ..... D14/433  
D716,235 S \* 10/2014 Tien ..... D13/147  
D744,428 S \* 12/2015 Rodriguez ..... D13/147  
D760,720 S \* 7/2016 Laffon de Mazieres .... D14/433  
D768,084 S \* 10/2016 Rodriguez ..... D13/147

(Continued)

*Primary Examiner* — Christy Nemeth

(74) *Attorney, Agent, or Firm* — Hudak, Shunk & Farine Co. LPA

(57) **CLAIM**

The ornamental design for a contact plug for electric cables, as shown and described.

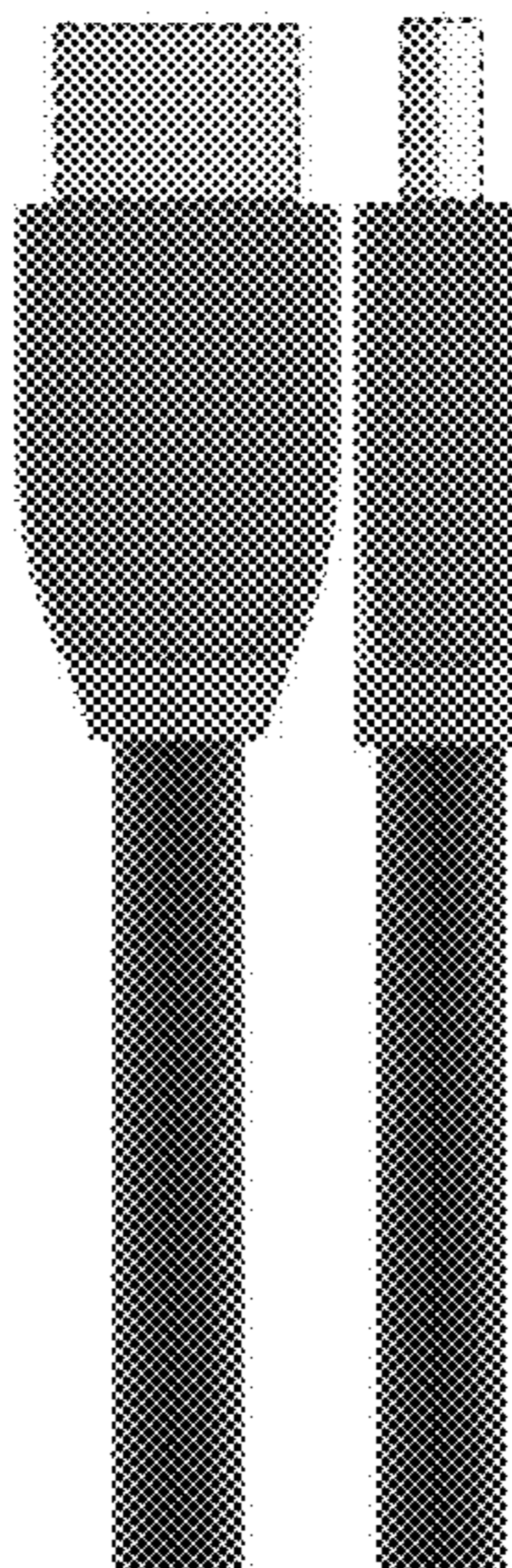
**DESCRIPTION**

The patent or application file contains at least one drawing executed in color. Copies of this patent or patent application publication with color drawing(s) will be provided by the Office upon request and payment of the necessary fee.

- 24.1 : Front
- 24.2: Right
- 25.1 : Front
- 25.2: Right
- 26.1 : Front
- 26.2: Right
- 27.1 : Front
- 27.2: Right

The broken lines and portions within form no part of the claimed design.

**1 Claim, 8 Drawing Sheets**  
**(8 of 8 Drawing Sheet(s) Filed in Color)**



(56)

References Cited

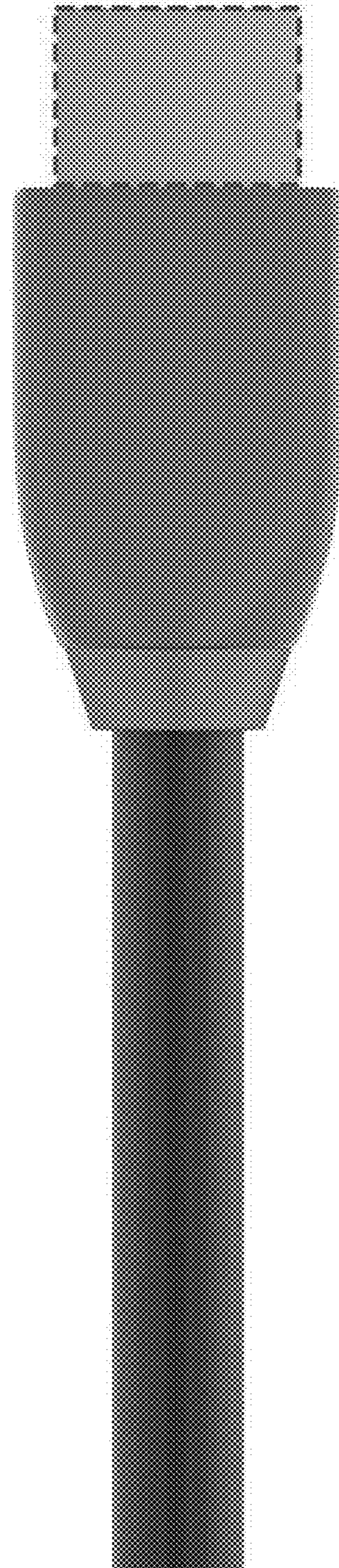
U.S. PATENT DOCUMENTS

D784,931 S *	4/2017	Fries .....	D13/153	D892,048 S *	8/2020	Zhuang .....	D13/110
D793,344 S *	8/2017	Wang .....	D13/153	D893,488 S *	8/2020	Liu .....	D14/433
D793,962 S *	8/2017	Vandiver .....	D13/153	D894,904 S *	9/2020	Matsuoka .....	D14/433
D795,816 S *	8/2017	He .....	D13/153	D895,551 S *	9/2020	Turksu .....	D13/133
D810,749 S *	2/2018	Zhang .....	D14/433	D896,762 S *	9/2020	Hu .....	D13/147
D818,439 S *	5/2018	Kim .....	D13/153	D898,031 S *	10/2020	Zhang .....	D14/433
D820,217 S *	6/2018	Li .....	D13/147	D898,032 S *	10/2020	Yuan .....	D14/433
D824,332 S *	7/2018	Ackerman .....	D13/117	D898,743 S *	10/2020	He .....	D14/433
D828,839 S *	9/2018	Zhang .....	D14/433	D900,754 S *	11/2020	Fu .....	D13/153
D833,445 S *	11/2018	Xie .....	D14/433	D901,506 S *	11/2020	He .....	D14/433
D839,837 S *	2/2019	Akana .....	D13/147	D903,682 S *	12/2020	Zhang .....	D14/433
D841,008 S *	2/2019	Yu .....	D14/433	D904,985 S *	12/2020	Spiegel .....	D13/153
D843,375 S *	3/2019	Claudepierre .....	D14/433	D909,386 S *	2/2021	Turksu .....	D14/433
D843,948 S *	3/2019	Akana .....	D13/147	D912,056 S *	3/2021	Liao .....	D14/433
D851,047 S *	6/2019	Zhang .....	D13/153	D912,675 S *	3/2021	Kim .....	D14/433
D851,645 S *	6/2019	Huang .....	D14/433	D916,093 S *	4/2021	Liao .....	D14/433
D854,020 S *	7/2019	Liao .....	D14/434	D916,094 S *	4/2021	Liao .....	D14/433
D864,120 S *	10/2019	Forrest .....	D13/147	D918,916 S *	5/2021	He .....	D14/433
D864,121 S *	10/2019	Liu .....	D13/153	D920,252 S *	5/2021	Liu .....	D13/133
D864,963 S *	10/2019	Luo .....	D14/433	D920,980 S *	6/2021	Zhang .....	D14/433
D868,784 S *	12/2019	Turksu .....	D14/385	D921,593 S *	6/2021	Spiegel .....	D13/153
D875,672 S *	2/2020	Natsume .....	D13/108	2015/0188261 A1 *	7/2015	Wu .....	H01R 13/6593 439/607.55
D879,779 S *	3/2020	Liao .....	D14/433	2016/0141818 A1 *	5/2016	Xing .....	H01R 4/70 439/676
D880,429 S *	4/2020	Wu .....	D13/153	2016/0149338 A1 *	5/2016	Xing .....	B29C 70/84 439/449
D882,524 S *	4/2020	Rong .....	D13/153	2016/0172804 A1 *	6/2016	Wu .....	H01R 43/0249 439/676
D883,215 S *	5/2020	Wang .....	D13/133	2018/0069351 A1 *	3/2018	Wu .....	H01R 13/5845
D889,469 S *	7/2020	Zhang .....	D14/433				
D889,470 S *	7/2020	Zhang .....	D14/433				

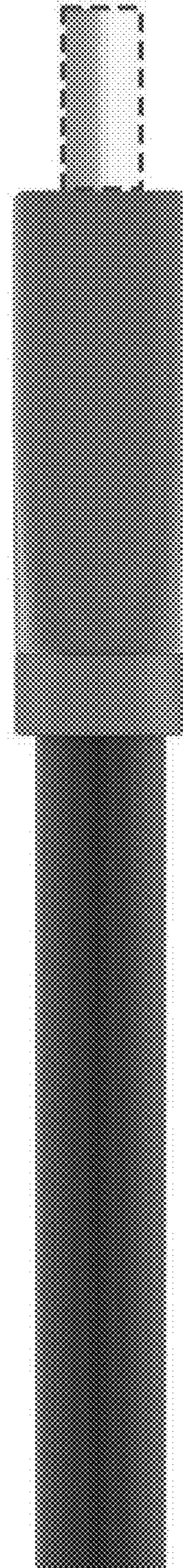
\* cited by examiner



24.1

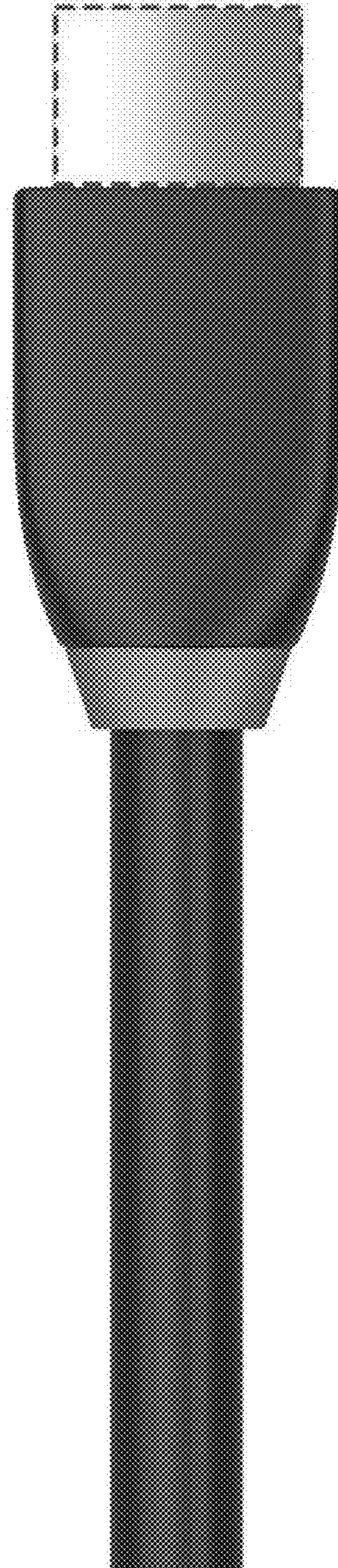


24.2





25.1

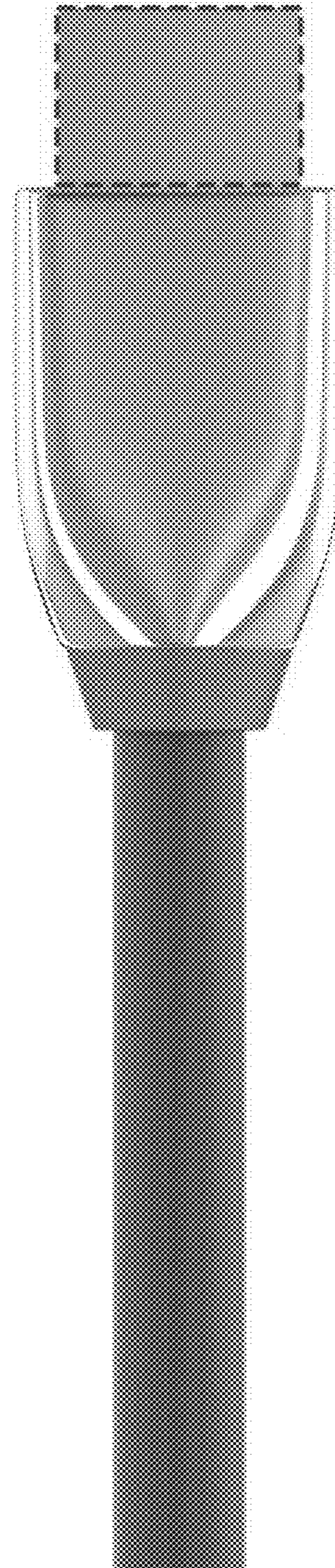


25.2

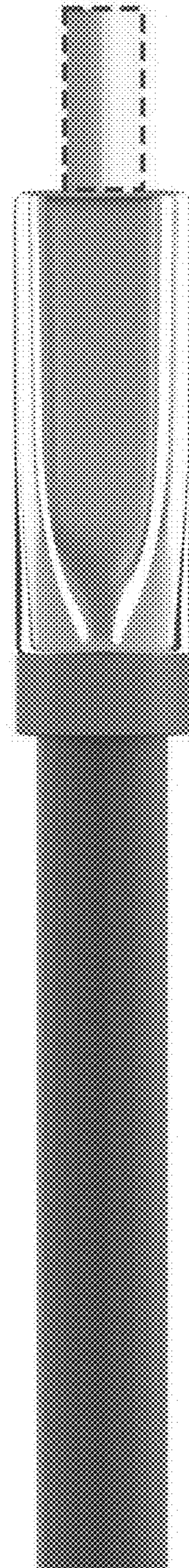




26.1

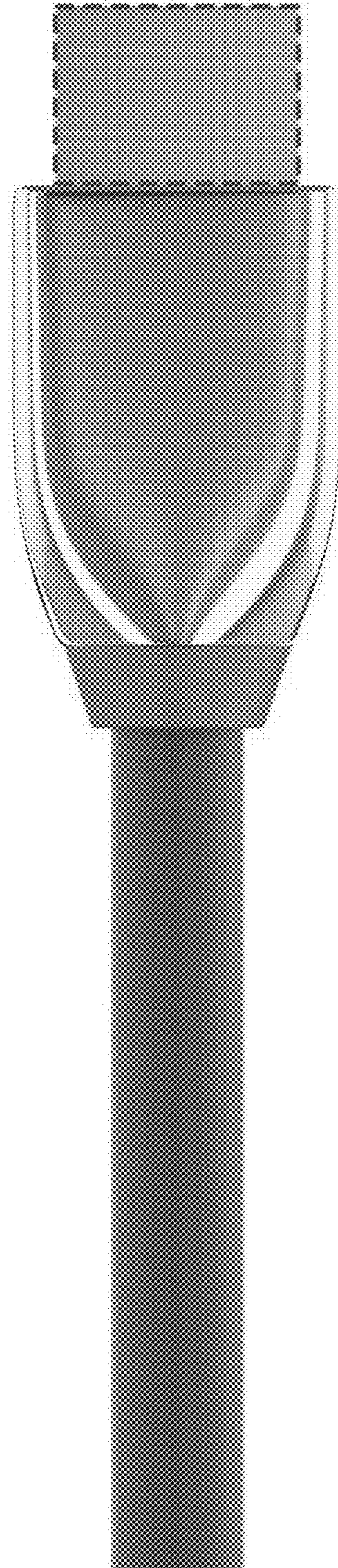


26.2





27.1



27.2

